



US00D855677S

(12) **United States Design Patent** (10) **Patent No.:** **US D855,677 S**
Steffensen et al. (45) **Date of Patent:** **** Aug. 6, 2019**

(54) **CAMERA**

(56) **References Cited**

(71) Applicant: **OCTOSPOT APS**, Copenhagen (DK)

U.S. PATENT DOCUMENTS

(72) Inventors: **Michael Trøst Steffensen**, Copenhagen (DK); **Martin Holmberg**, Copenhagen (DK); **Andreas Pank Elmkvist**, Copenhagen (DK)

D350,553 S *	9/1994	Lo	D16/203
D373,593 S *	9/1996	Hiroko	D16/202
D489,744 S *	5/2004	Muto	D16/203
D512,087 S *	11/2005	Kato	D16/203
D529,063 S *	9/2006	Cheng	D16/203
D540,360 S *	4/2007	Yamakawa	D16/203
D666,660 S *	9/2012	Amit	D16/203
D743,472 S *	11/2015	Tanifuji	D16/203
D777,818 S *	1/2017	Bingleman	D16/203
D820,336 S *	6/2018	Zhang	D16/203
D826,305 S *	8/2018	Ahman	D16/203
D829,802 S *	10/2018	Park	D16/203
D833,502 S *	11/2018	Asakawa	D16/203

(**) Term: **15 Years**

(21) Appl. No.: **35/501,947**

(22) Filed: **May 25, 2016**

(80) **Hague Agreement Data**

Int. Filing Date: **May 25, 2016**

Int. Reg. No.: **DM/091938**

Int. Reg. Date: **May 25, 2016**

Int. Reg. Pub. Date: **Nov. 25, 2016**

(51) **LOC (12) Cl.** **16-03**

(52) **U.S. Cl.**

USPC **D16/203**

(58) **Field of Classification Search**

USPC D16/200, 202–206, 208, 218, 219, 242

CPC G03B 17/02; G03B 19/04; G03B 17/56;

G03B 17/04; G03B 17/03; H04N 5/2251;

H04N 5/2252; H04N 5/2253; H04N

5/2254; H04N 7/181; H04N 5/183; H04N

5/18; G08B 13/1963; G08B 13/19619;

G08B 13/19632; F16M 11/04; F16M

13/00

See application file for complete search history.

* cited by examiner

Primary Examiner — Holly E Thurman

(57) **CLAIM**

The ornamental design for a camera, as shown and described.

DESCRIPTION

1. Camera

FIG. 1.1 is a perspective view of a camera.

FIG. 1.2 is a top view of the camera.

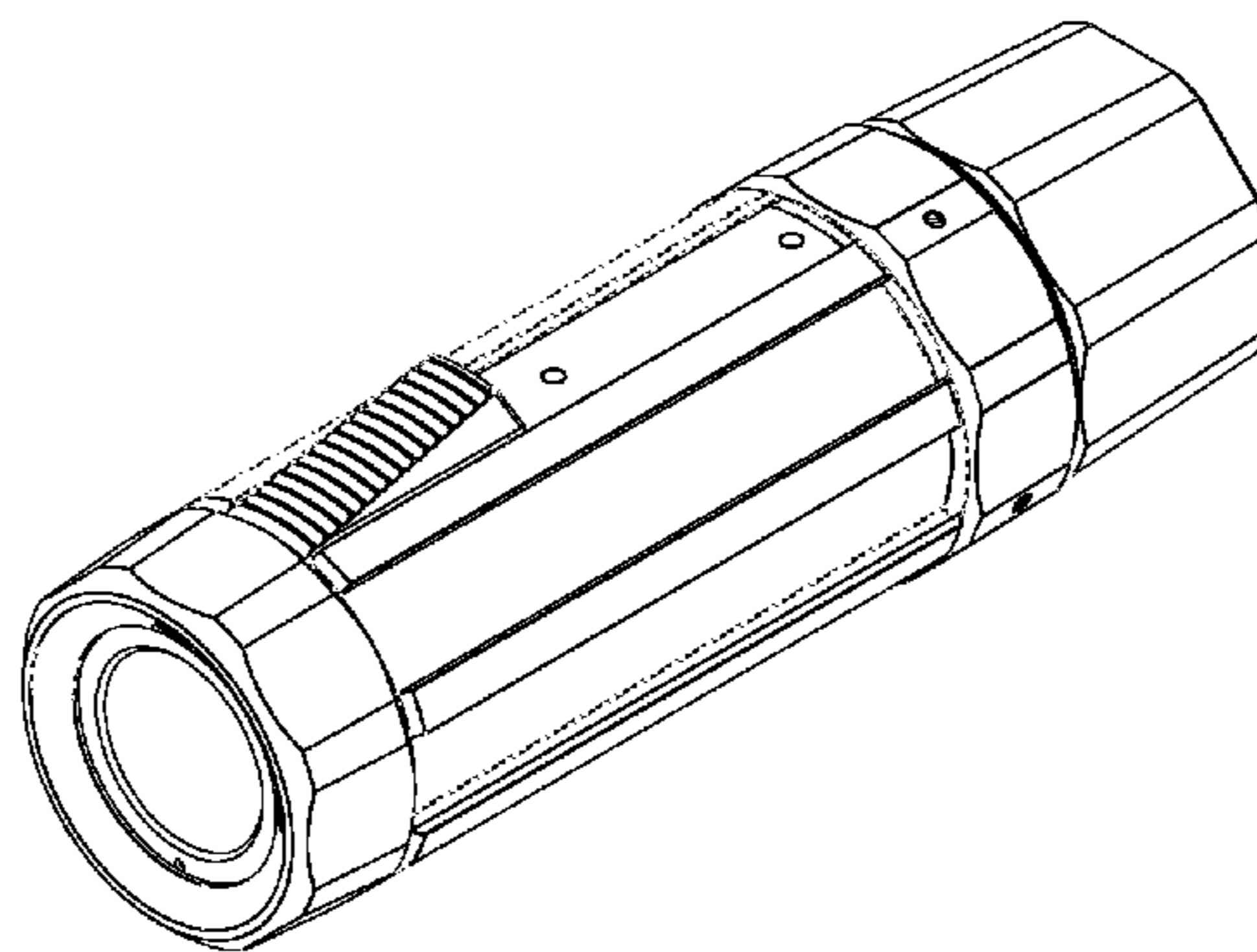
FIG. 1.3 is a bottom view of the camera.

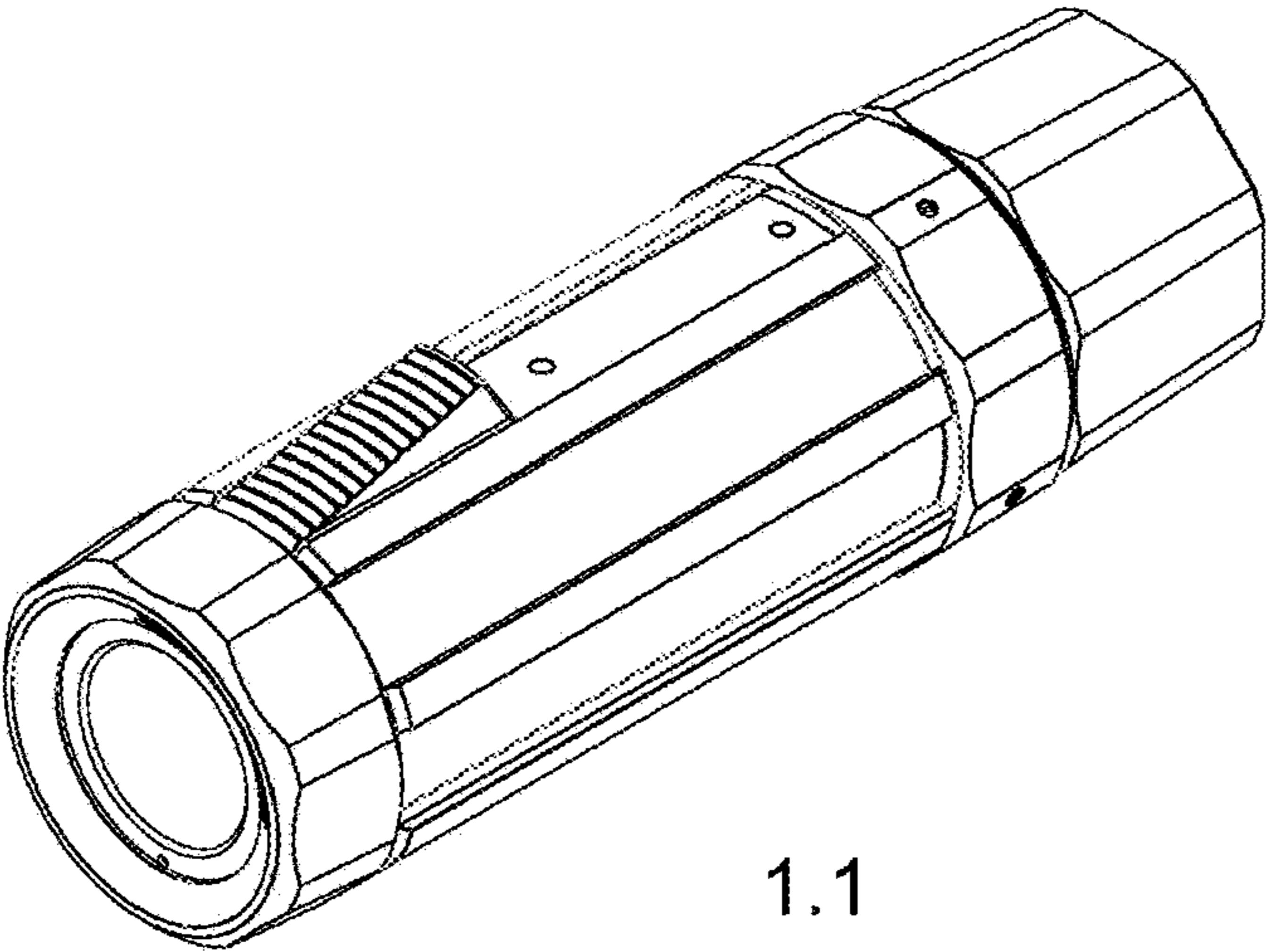
FIG. 1.4 is a rear view of the camera.

FIG. 1.5 is a side view of the camera.

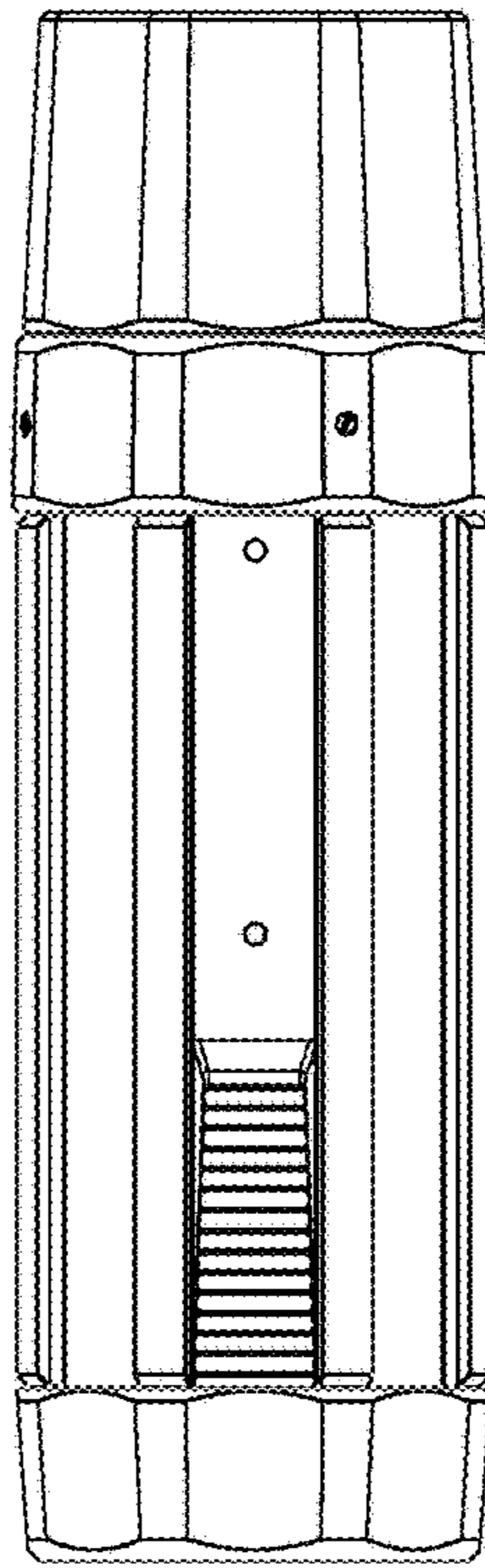
FIG. 1.6 is a front view of the camera.

1 Claim, 6 Drawing Sheets

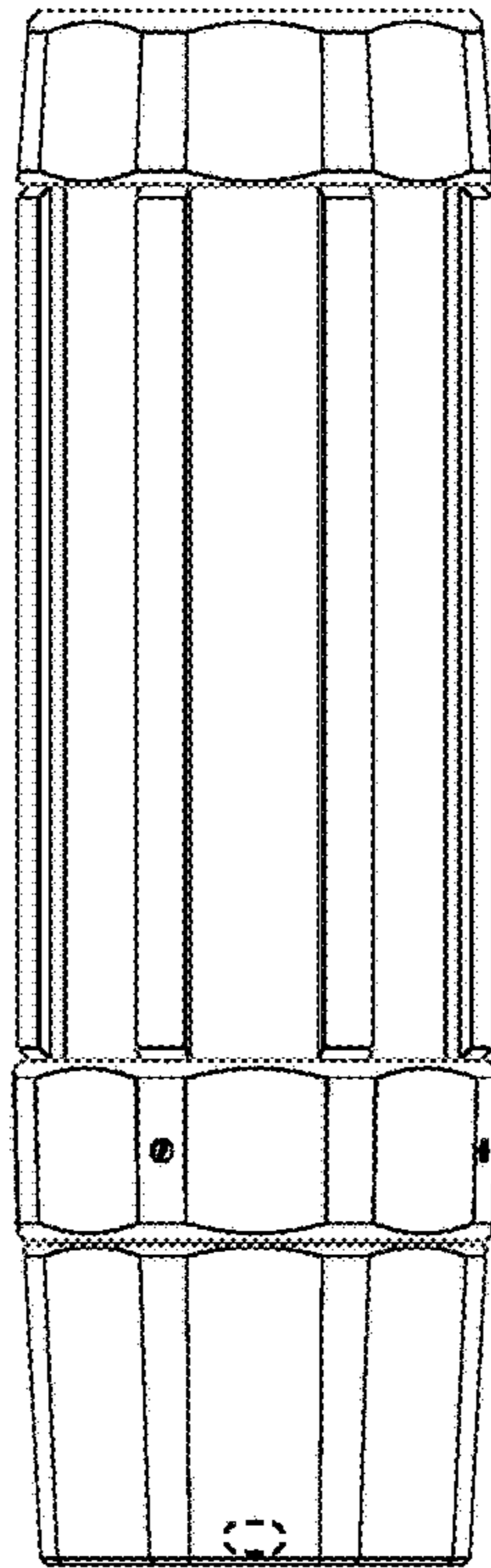




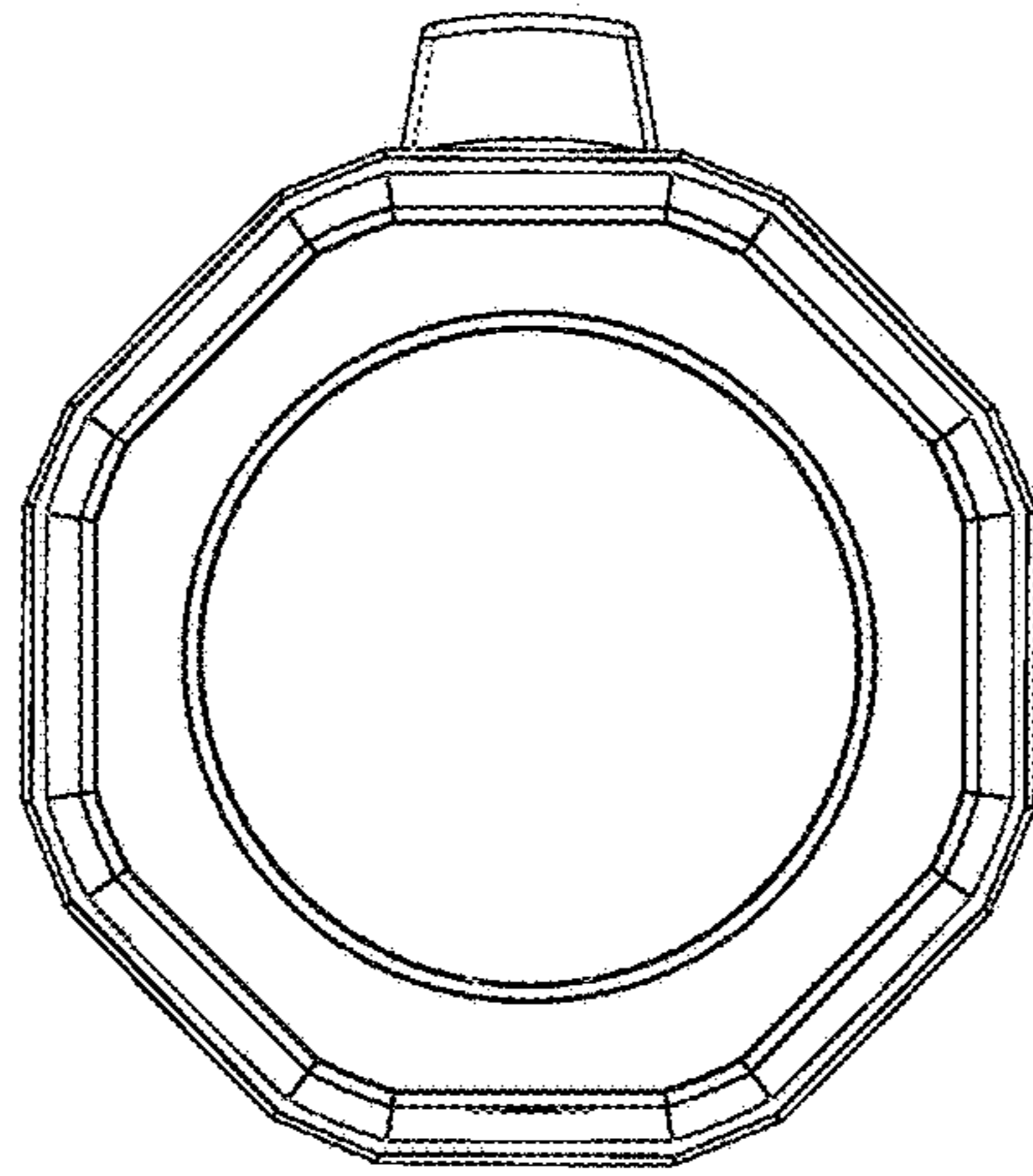
1.1



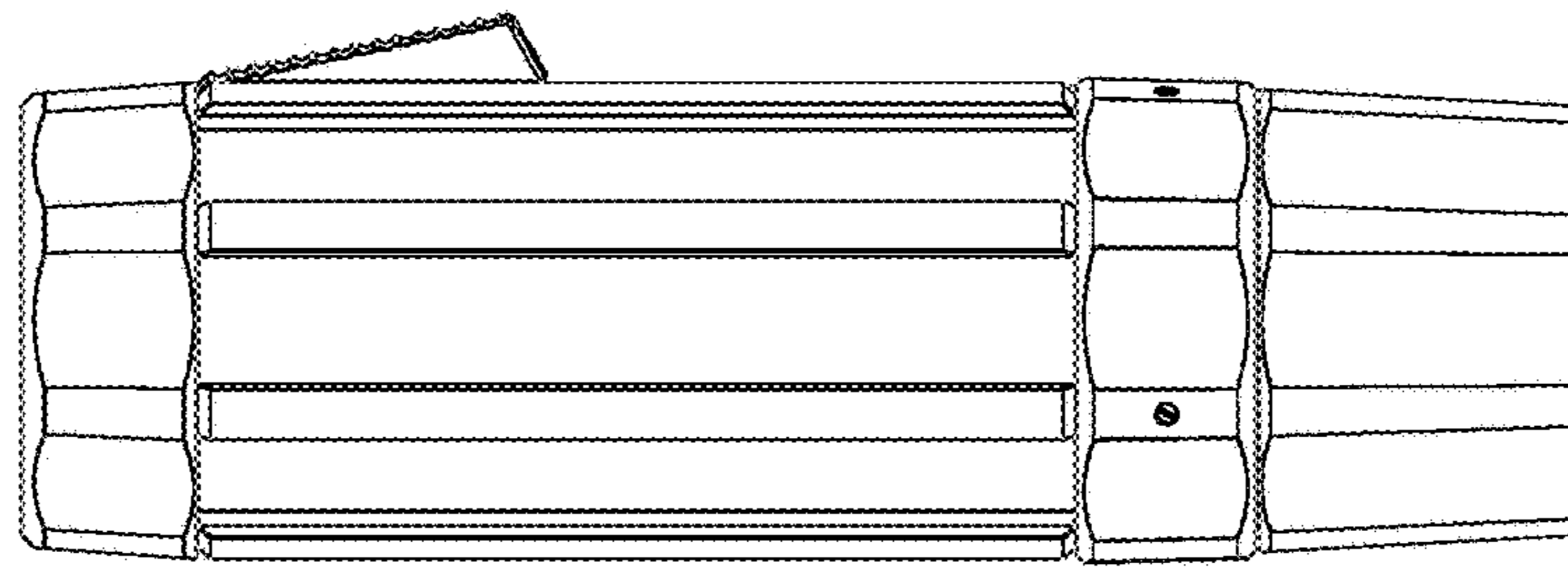
1.2



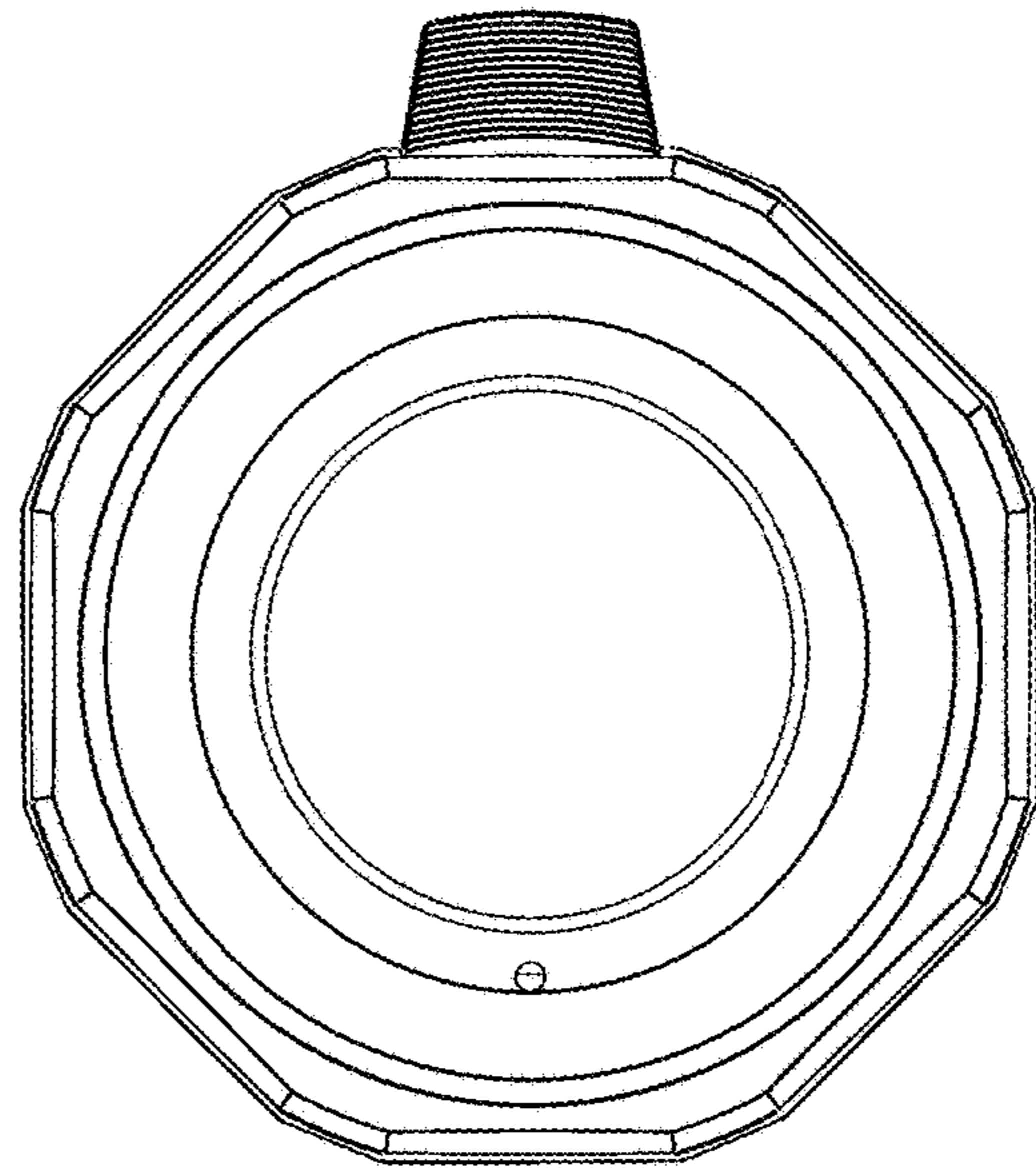
1.3



1.4



1.5



1.6