



US00D855676S

(12) **United States Design Patent**
Emami

(10) **Patent No.:** **US D855,676 S**

(45) **Date of Patent:** **** Aug. 6, 2019**

(54) **STEREO CAMERA**

(71) Applicant: **Hella Aglaia Mobile Vision GmbH**,
Berlin (DE)

(72) Inventor: **Arman Emami**, Berlin (DE)

(73) Assignee: **HELLA AGLAIA MOBILE VISION GMBH**, Berlin (DE)

(**) Term: **15 Years**

(21) Appl. No.: **29/571,248**

(22) Filed: **Jul. 15, 2016**

(30) **Foreign Application Priority Data**

Jan. 16, 2016 (EP) 002947317

(51) **LOC (12) Cl.** **16-01**

(52) **U.S. Cl.**
USPC **D16/203**

(58) **Field of Classification Search**
USPC D16/200-220, 229, 230, 242, 244, 245,
D16/238, 225; D14/496, 203.1, 203.3,
D14/203.7, 240, 358; D28/41; D10/50,
D10/52

CPC H04N 7/181; H04N 7/183; H04N 7/18;
H04N 3/08; H04N 5/23248; H04N
5/23287; H04N 5/23258; H04N 5/2251;
H04N 5/2252; H04N 2007/145; H04N
7/00; G01C 11/025; G02B 5/00; G03B
15/00; G03B 15/03; G03B 17/56; G03B
17/02; G03B 17/30; G03B 17/04; G03B
17/00; G03B 19/04; G03B 3/00; B60R
1/00; B60R 2300/105; G08B 13/19619;
G08B 13/1963; G08B 13/19632; G08B
13/19621; F16M 11/04; F16M 13/00;
Y02E 60/12

See application file for complete search history.

(56) **References Cited**

U.S. PATENT DOCUMENTS

D263,716 S * 4/1982 Globus 396/20
D400,995 S * 11/1998 LaRosa D26/63

D586,835 S * 2/2009 Koza D16/202
D596,626 S * 7/2009 Andre D14/240
D597,543 S * 8/2009 Urban D14/356
7,604,423 B2 * 10/2009 Nagata G03B 17/02
348/375
D606,519 S * 12/2009 Painter D14/218
D616,875 S * 6/2010 Oh D14/188
D624,541 S * 9/2010 Kemery D14/240
D638,426 S * 5/2011 Ikeda D14/240
D640,692 S * 6/2011 Waisman-Diamond D14/240
D658,799 S * 5/2012 Levine D26/63
D660,491 S * 5/2012 Holscher D26/63
D694,233 S * 11/2013 Hoofnagle D14/356
D707,667 S * 6/2014 Kono D14/240

(Continued)

OTHER PUBLICATIONS

APS-90, announced 2017 [online], [site visited Aug. 3, 2017],
Available from Internet, URL: <<http://ifworlddesignguide.com/entry/206258-aps-90/>>.*

(Continued)

Primary Examiner — Barbara Fox
Assistant Examiner — Mary C Ramirez
(74) *Attorney, Agent, or Firm* — Paul D. Strain, Esq.;
Strain & Strain PLLC

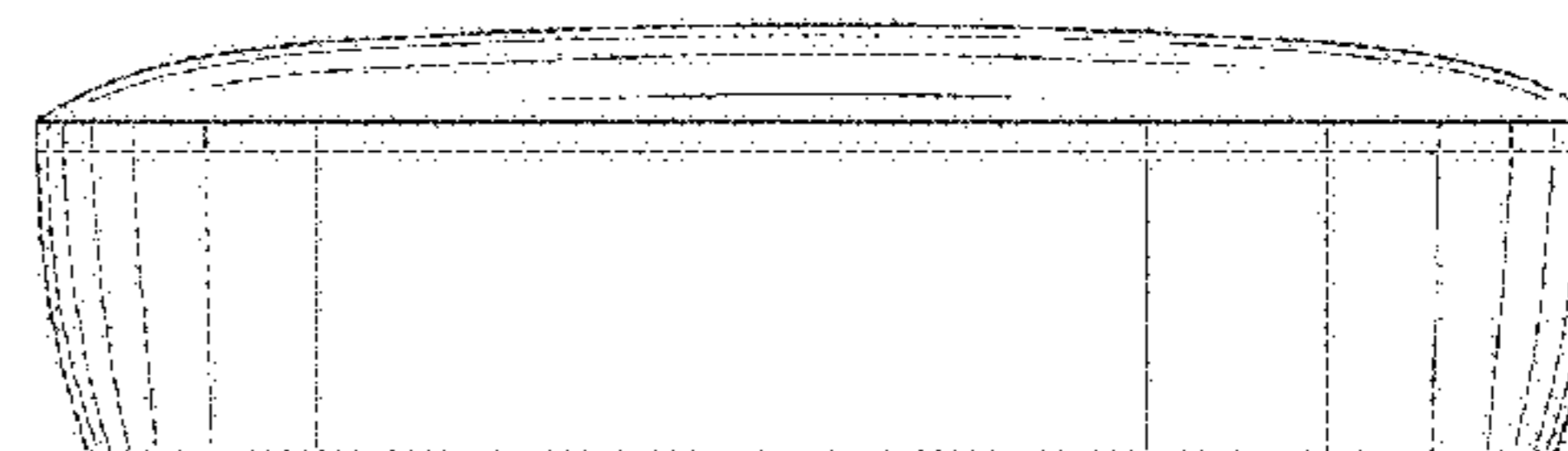
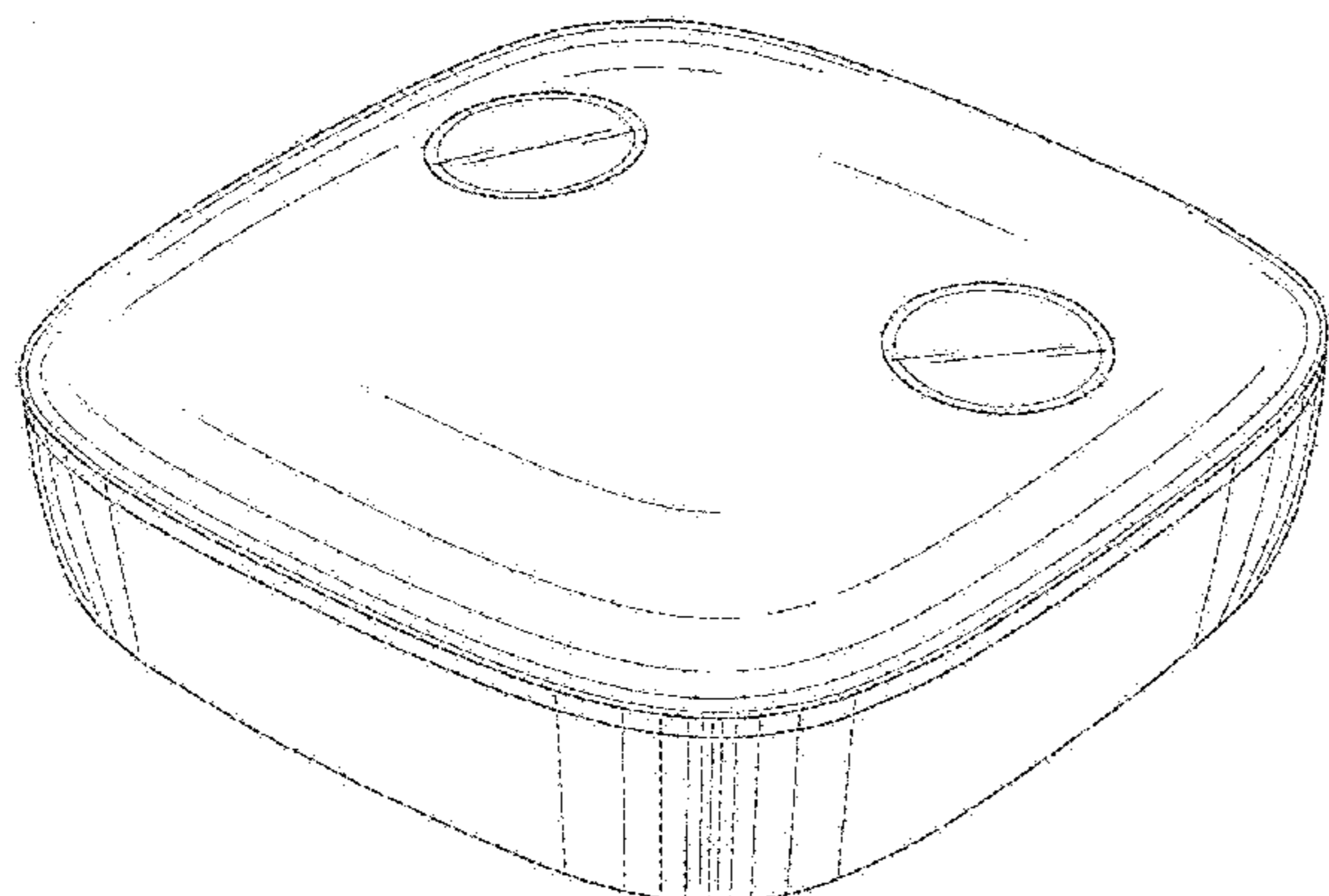
(57) **CLAIM**

The ornamental design for a stereo camera, as shown.

DESCRIPTION

FIG. 1 is a top, right, perspective view of the stereo camera showing the new design;
FIG. 2 is a top plan view thereof;
FIG. 3 is a bottom plan view thereof; and,
FIG. 4 is a side elevation view thereof.

1 Claim, 4 Drawing Sheets



(56)

References Cited

U.S. PATENT DOCUMENTS

D711,359 S * 8/2014 Marzynski D14/240
 D711,451 S * 8/2014 Katsuyama D16/208
 D712,946 S * 9/2014 Hong D16/202
 D719,153 S * 12/2014 Lim D14/356
 D725,592 S * 3/2015 Tsai D13/103
 D732,010 S * 6/2015 Hsiau D14/240
 D733,780 S * 7/2015 Chen D16/202
 D735,179 S * 7/2015 Yang D14/240
 D738,755 S * 9/2015 Druce D10/50
 D740,262 S * 10/2015 Hasegawa D14/240
 D751,426 S * 3/2016 Edgar D10/50
 D753,639 S * 4/2016 Marzynski D14/240
 D755,132 S * 5/2016 Kashimoto D13/168
 D765,066 S * 8/2016 Cowles D14/240
 D765,073 S * 8/2016 Niizawa D14/356
 D766,218 S * 9/2016 Yang D14/218
 D768,607 S * 10/2016 Altonen D14/240
 D769,956 S * 10/2016 Hinkel D16/203
 D772,325 S * 11/2016 Hinkel D16/203
 D781,272 S * 3/2017 Virhia D14/240
 D785,608 S * 5/2017 Weaver D14/240
 D795,940 S * 8/2017 Huang D16/203
 D799,479 S * 10/2017 Wieser D14/358
 D802,450 S * 11/2017 Boynton D10/50
 D808,961 S * 1/2018 Lee D14/344
 D809,493 S * 2/2018 Konotopskyi D14/242
 D814,543 S * 4/2018 Oshima D16/202
 D818,514 S * 5/2018 Ahman D16/203
 D820,897 S * 6/2018 Ruzs D16/203

D821,374 S * 6/2018 Jun D14/242
 D823,370 S * 7/2018 Lee D16/203
 D824,346 S * 7/2018 Kim D14/125
 D824,350 S * 7/2018 Kim D14/125
 D829,277 S * 9/2018 Seki D18/50
 D831,090 S * 10/2018 Ahman D16/203
 D831,590 S * 10/2018 Lee D13/177
 D831,646 S * 10/2018 Kusano D14/358
 D832,906 S * 11/2018 Hasegawa D16/203
 D834,012 S * 11/2018 Bolmstrand D14/336
 D835,085 S * 12/2018 Burmeister-Brown D14/240
 D835,695 S * 12/2018 Hu D16/202
 D840,857 S * 2/2019 Scalisi D10/118.2
 2015/0215524 A1 * 7/2015 Zhu H04N 5/23216
 348/240.99
 2017/0177944 A1 * 6/2017 Sloo G06K 9/00744

OTHER PUBLICATIONS

Vivotek 3D People Counting, announced Jul. 26, 2016 [online], [site visited Aug. 3, 2017], Available from Internet, URL: <https://www.youtube.com/watch?v=5sW0N_R_SGU> at approximately 0:03.*
 Hella APC-R-RS485 Manual, announced Jun. 24, 2014 [online], [site visited Aug. 3, 2017], Available from Internet, URL: <<https://www.scribd.com/document/331599411/Manual-APC-R-RS485-v2-70-En>>.*
 Advanced People Sensor, announced 2017 [online], [site visited Aug. 3, 2017], Available from Internet, URL: <<http://www.people-sensing.com/aps-90>>.*

* cited by examiner

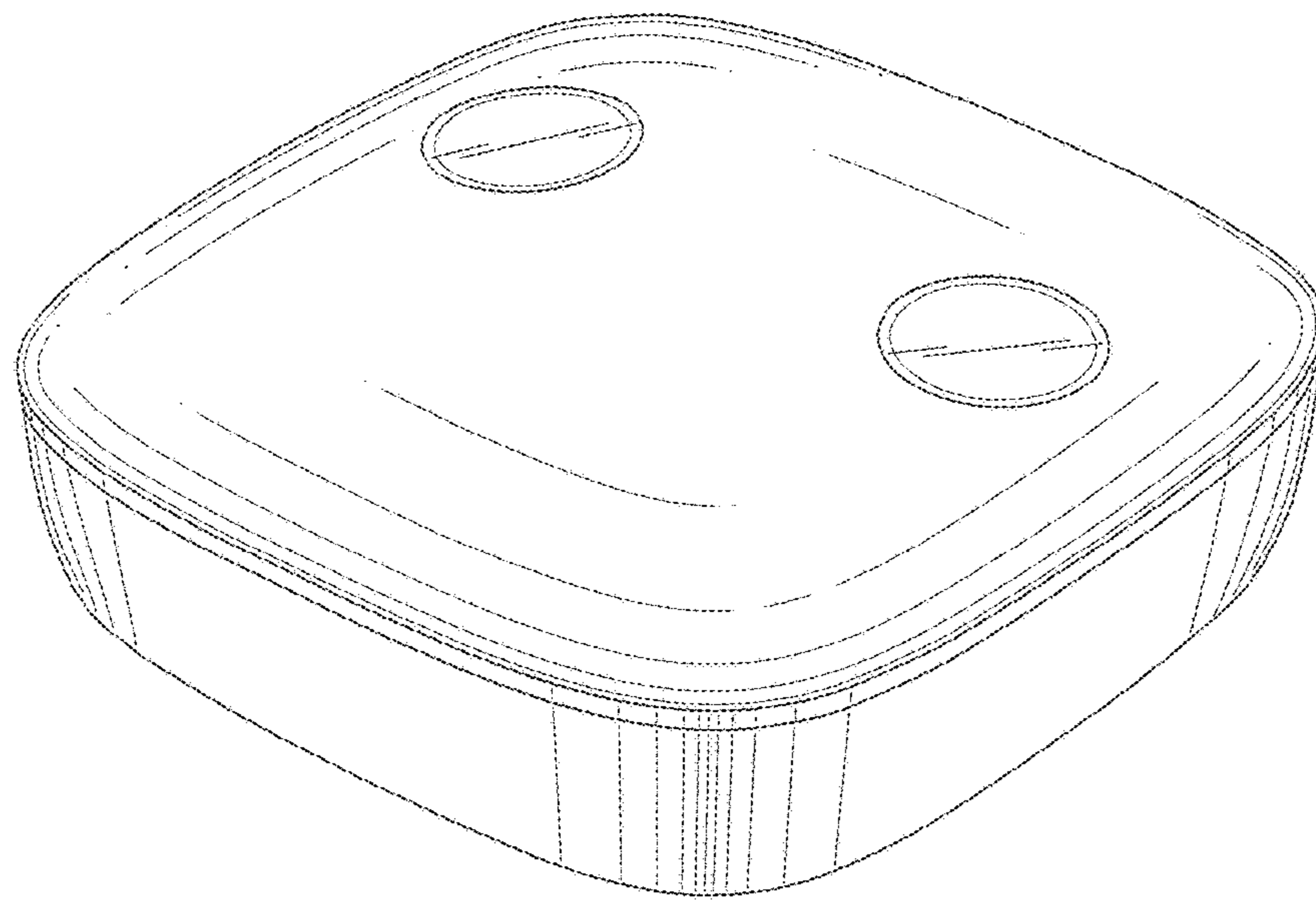


FIG. 1

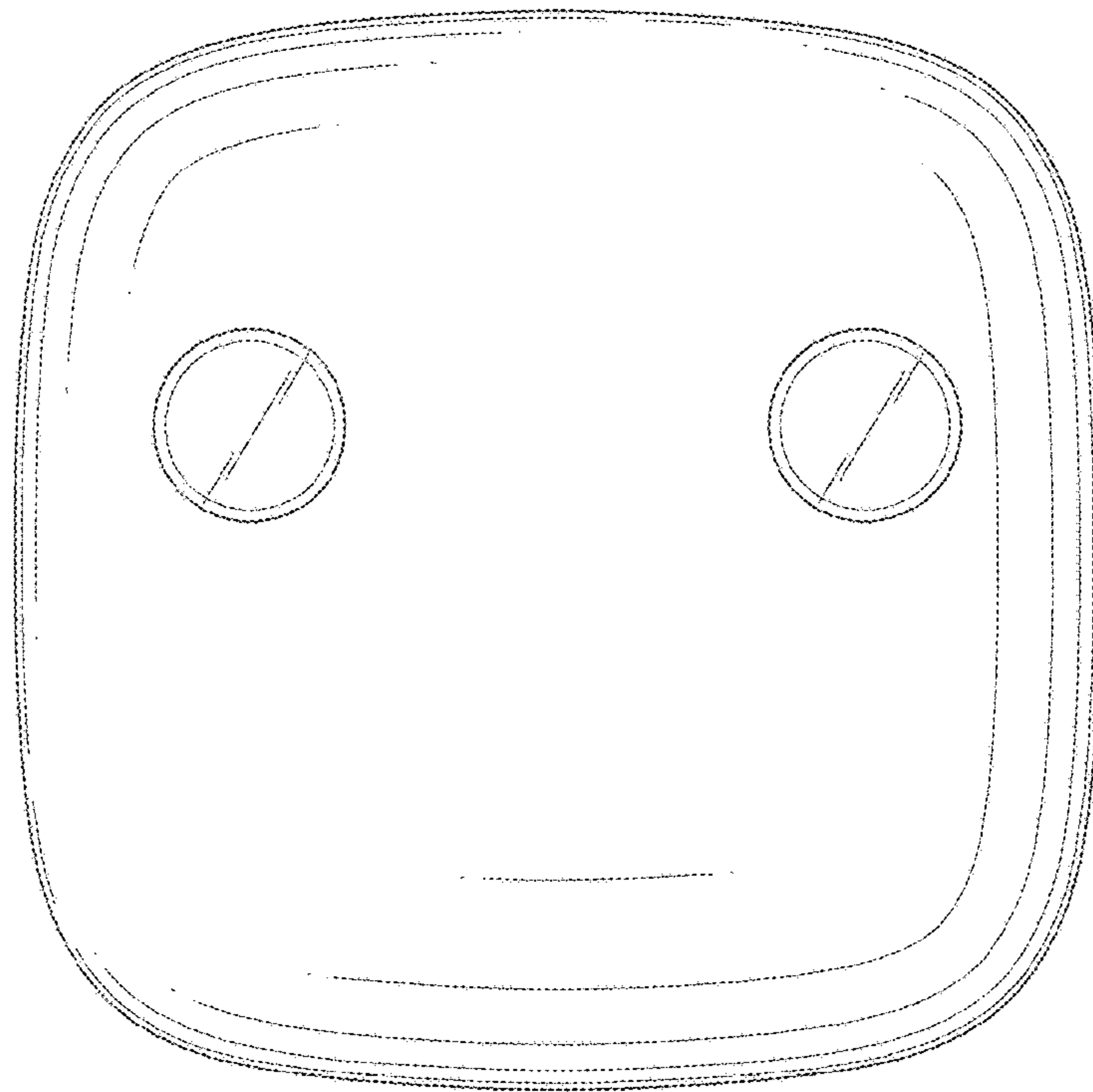


FIG. 2

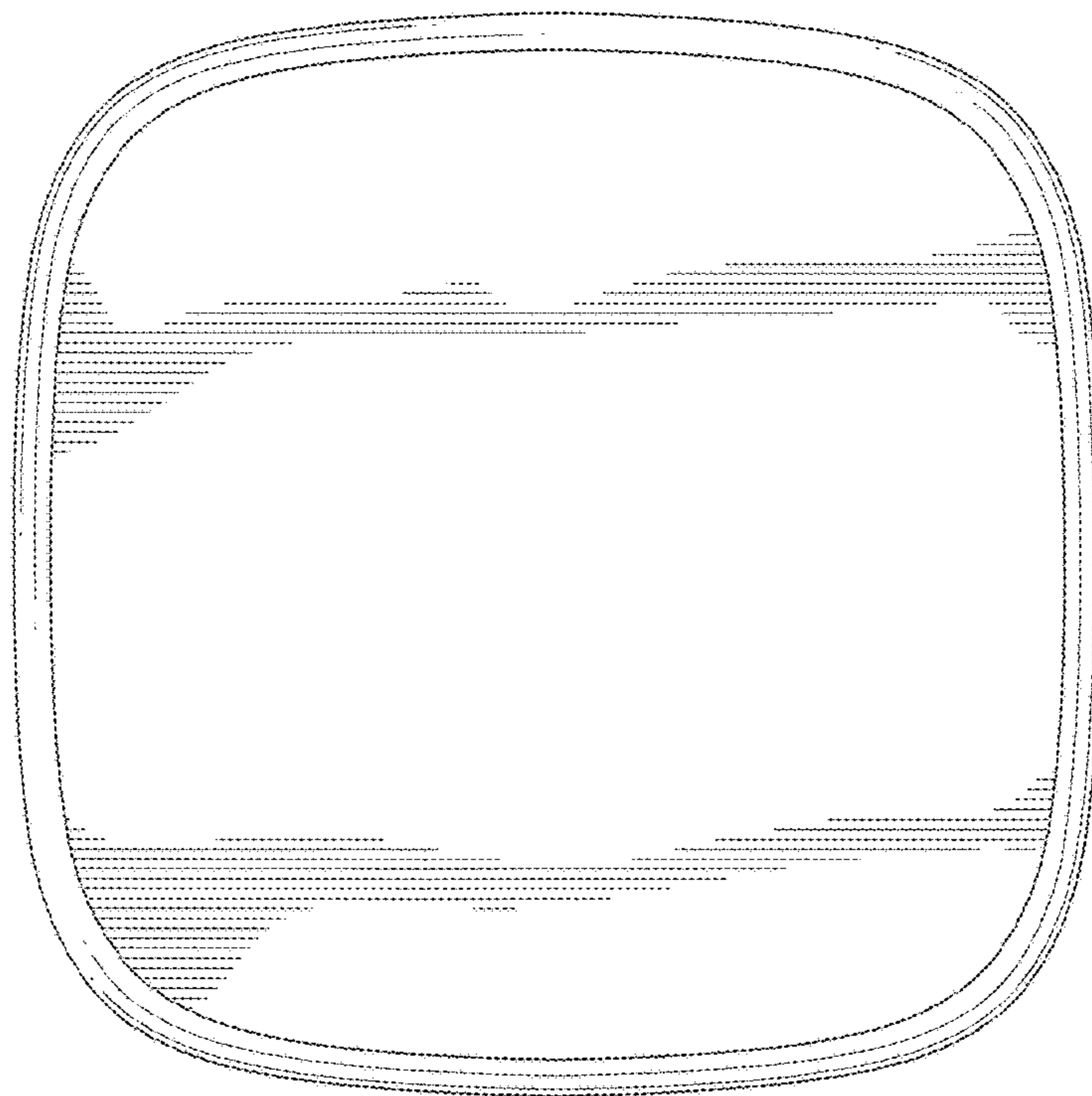


FIG. 3

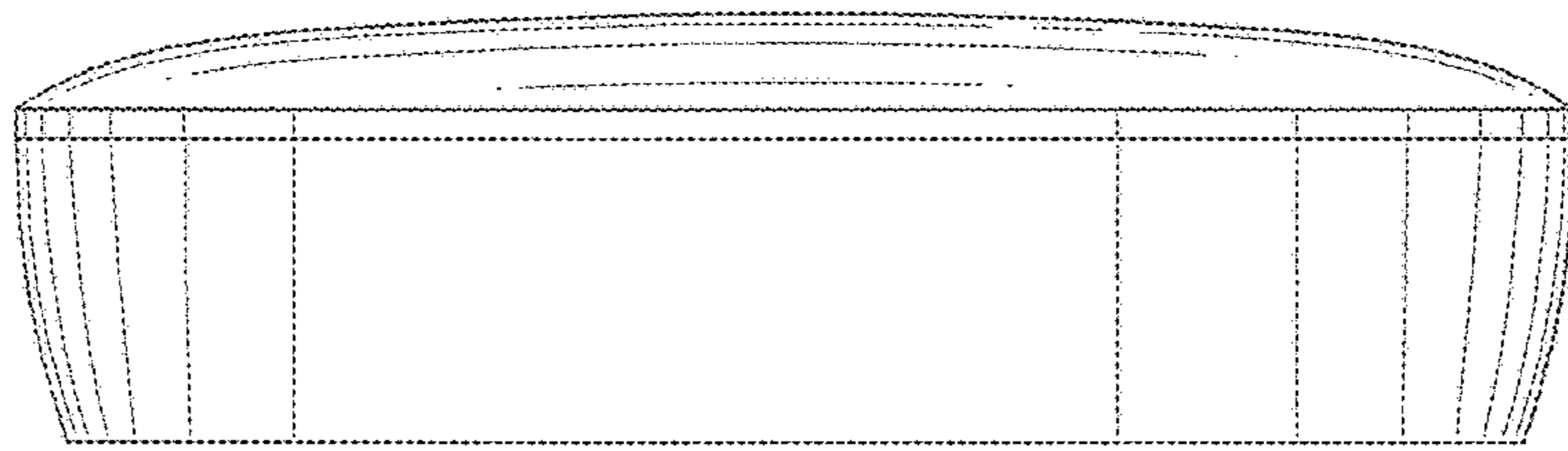


FIG.4