



US00D855674S

(12) **United States Design Patent** (10) **Patent No.:** **US D855,674 S**  
**Lyu et al.** (45) **Date of Patent:** **\*\* Aug. 6, 2019**

(54) **SMART DEVICE**  
(71) Applicant: **Baidu Online Network Technology (Beijing) Co., Ltd., Beijing (CN)**  
(72) Inventors: **Cheng Lyu, Beijing (CN); Yuheng Chen, Beijing (CN)**  
(73) Assignee: **Baidu Online Network Technology (Beijing) Co., Ltd, Beijing (CN)**

(\*\*) Term: **15 Years**  
(21) Appl. No.: **29/631,041**  
(22) Filed: **Dec. 27, 2017**

(30) **Foreign Application Priority Data**  
Nov. 14, 2017 (CN) ..... 2017 3 0558409  
(51) **LOC (12) Cl.** ..... **15-99**  
(52) **U.S. Cl.**  
USPC ..... **D15/199**  
(58) **Field of Classification Search**  
USPC ..... D15/199; D21/578-583, 621, 622  
CPC ..... B25J 9/044; B25J 9/102; G06F 3/0485;  
Y10T 74/20305  
See application file for complete search history.

(56) **References Cited**  
**U.S. PATENT DOCUMENTS**  
4,273,506 A \* 6/1981 Thomson ..... B25J 9/046  
294/106  
D293,449 S \* 12/1987 Kaufmann ..... D15/122  
D308,213 S \* 5/1990 Jones ..... D15/199  
5,413,454 A \* 5/1995 Movsesian ..... B25J 5/007  
294/100  
D452,517 S \* 12/2001 Kawaguchi ..... D15/199

D711,061 S \* 8/2014 Chen ..... D34/29  
D782,553 S \* 3/2017 Goto ..... D15/199  
D792,917 S \* 7/2017 Fischer ..... D15/199  
9,854,203 B2 \* 12/2017 Benetti ..... B25J 9/1676  
D819,103 S \* 5/2018 Kapuria ..... D15/199  
D819,711 S \* 6/2018 Li ..... D15/199  
D822,736 S \* 7/2018 Kato ..... D15/199  
D822,739 S \* 7/2018 Kato ..... D15/199  
D829,250 S \* 9/2018 Zilbershtein ..... D15/199  
2007/0080000 A1 \* 4/2007 Tobey ..... A61G 5/045  
180/21  
2013/0104676 A1 \* 5/2013 Yang ..... B25J 9/06  
73/865.8  
2015/0285721 A1 \* 10/2015 Watanabe ..... G01B 21/00  
73/788  
2016/0229058 A1 \* 8/2016 Pinter ..... G06Q 50/22  
2017/0080577 A1 \* 3/2017 Motoyoshi ..... B25J 13/088

\* cited by examiner

*Primary Examiner* — Patricia A Palasik  
(74) *Attorney, Agent, or Firm* — Dinsmore & Shohl, LLP

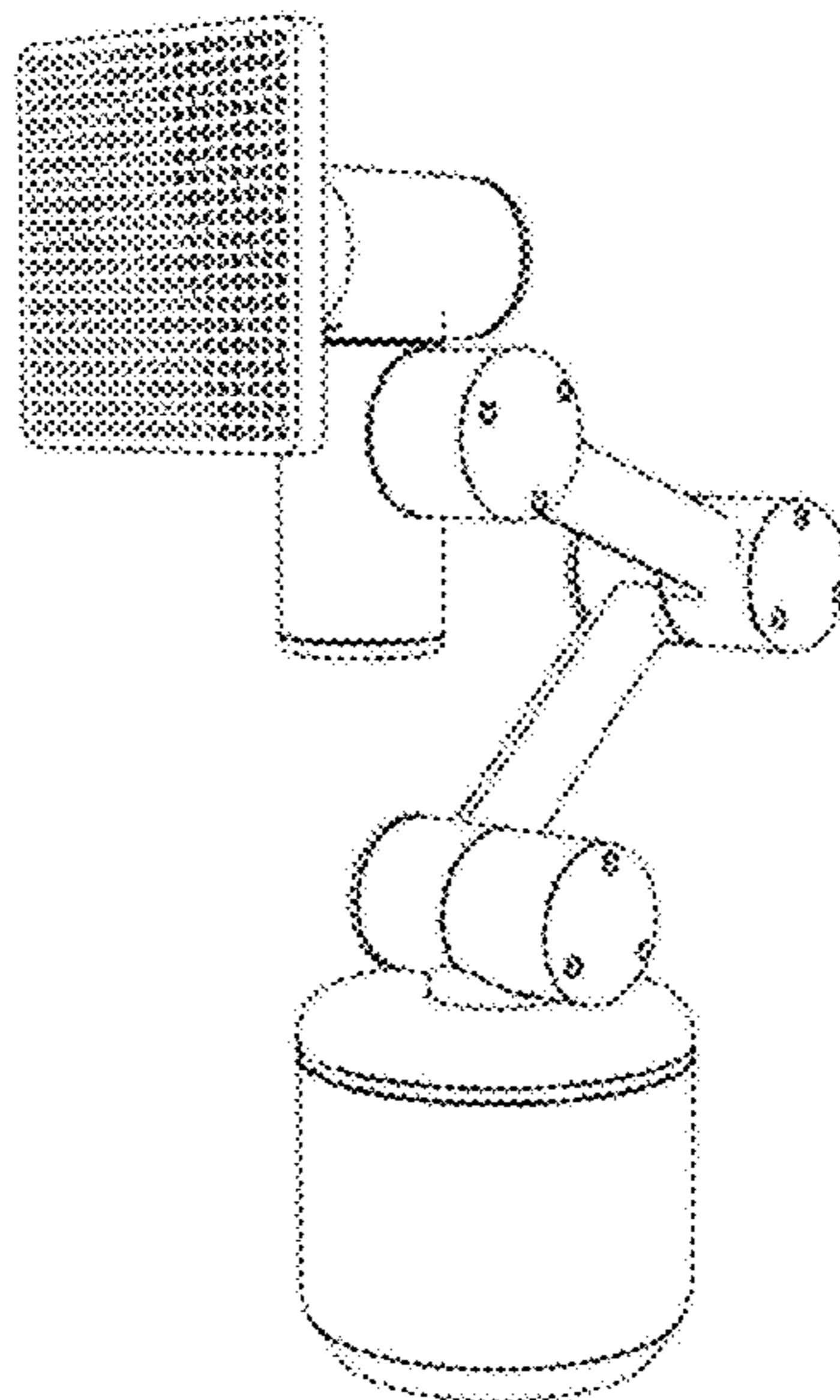
(57) **CLAIM**

The ornamental design for a smart device, as shown and described herein.

**DESCRIPTION**

FIG. 1 is a front elevation view of a smart device showing the design;  
FIG. 2 is a rear elevation view of the design;  
FIG. 3 is a left-side elevation view of the design;  
FIG. 4 is a right-side elevation view of the design;  
FIG. 5 is a top plan view of the design;  
FIG. 6 is a bottom plan view of the design;  
FIG. 7 is a front, right perspective view of the design; and,  
FIG. 8 is a rear, left perspective view of the design.  
The broken lines in the drawings depict portions of the smart device that form no part of the claimed design.

**1 Claim, 8 Drawing Sheets**



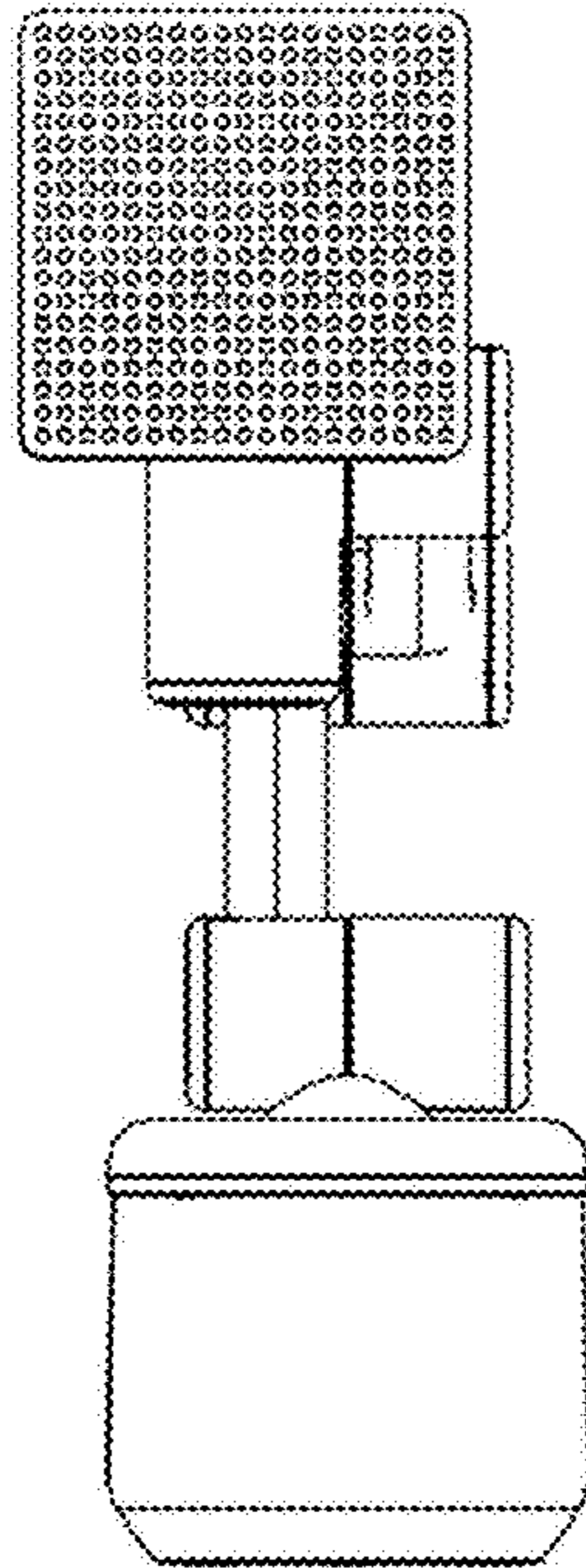


Fig. 1

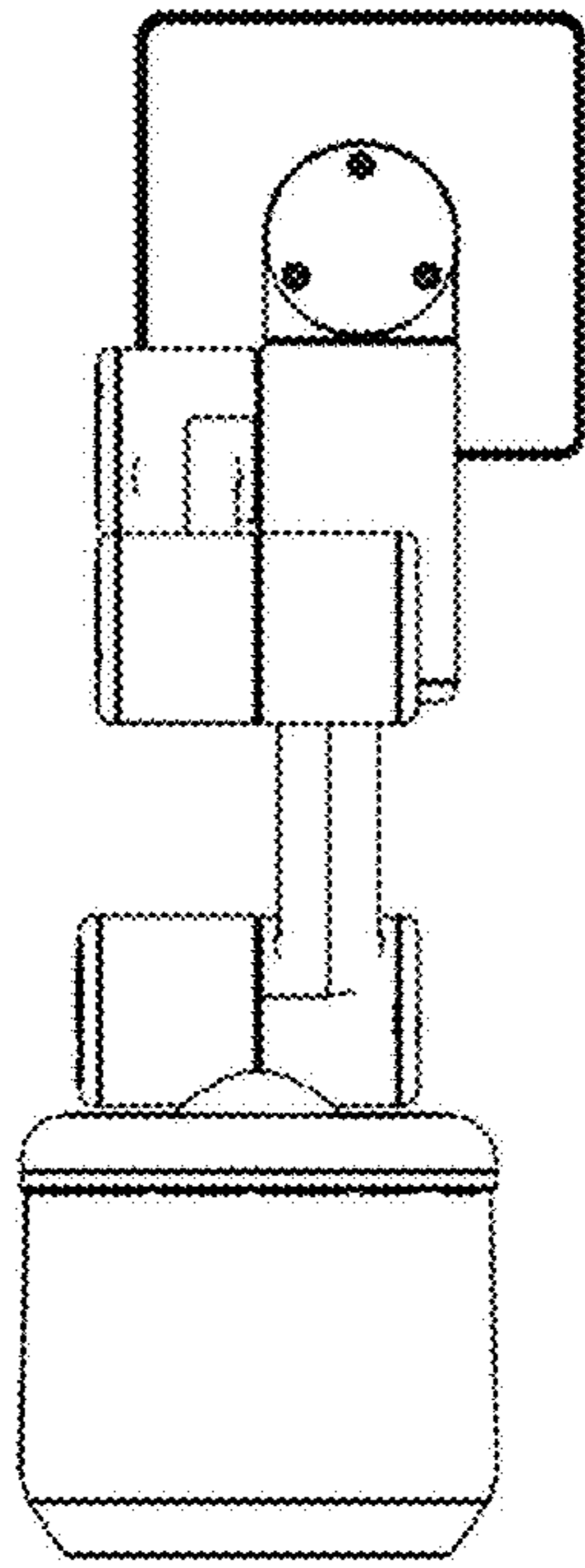


Fig. 2

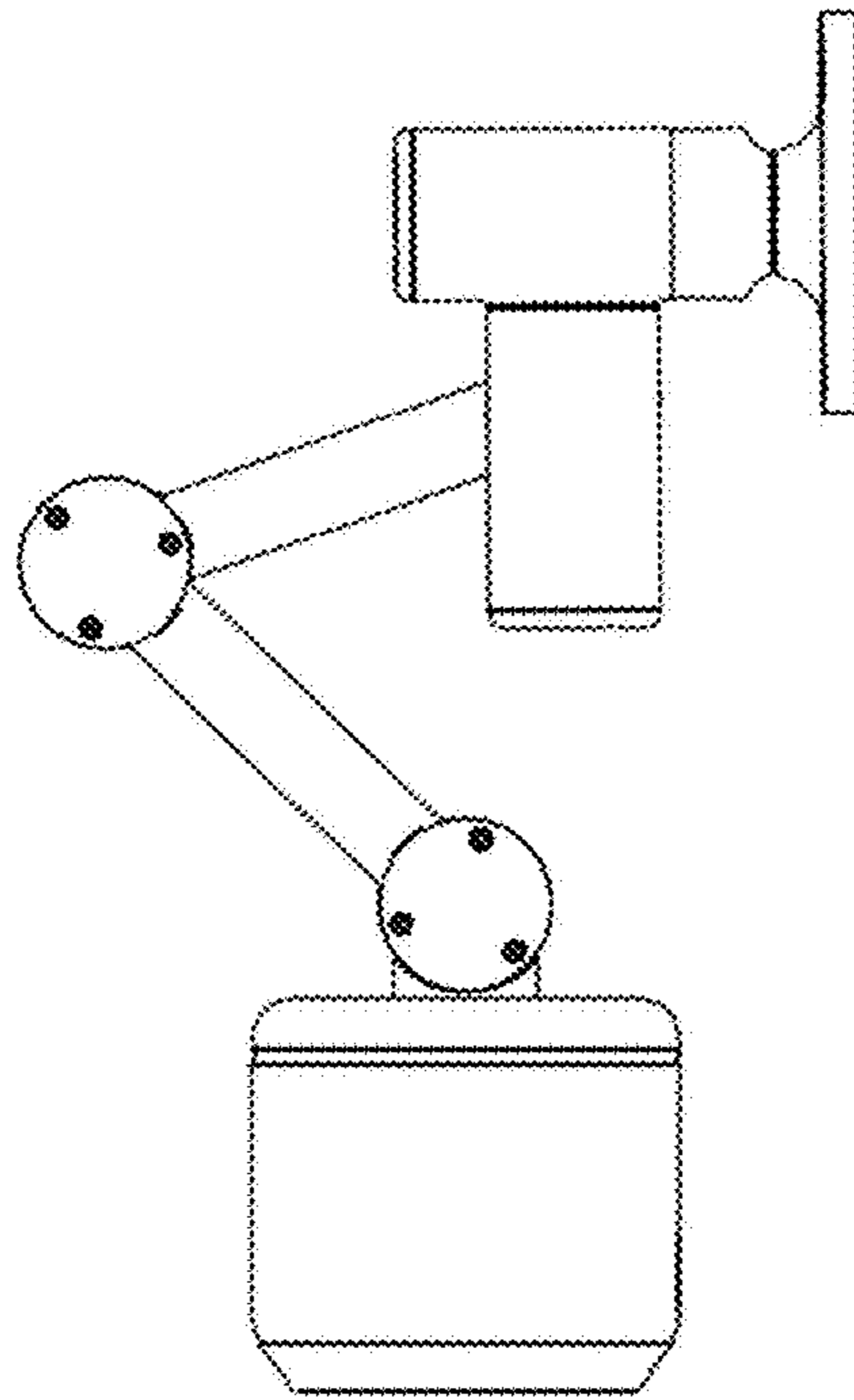


Fig. 3

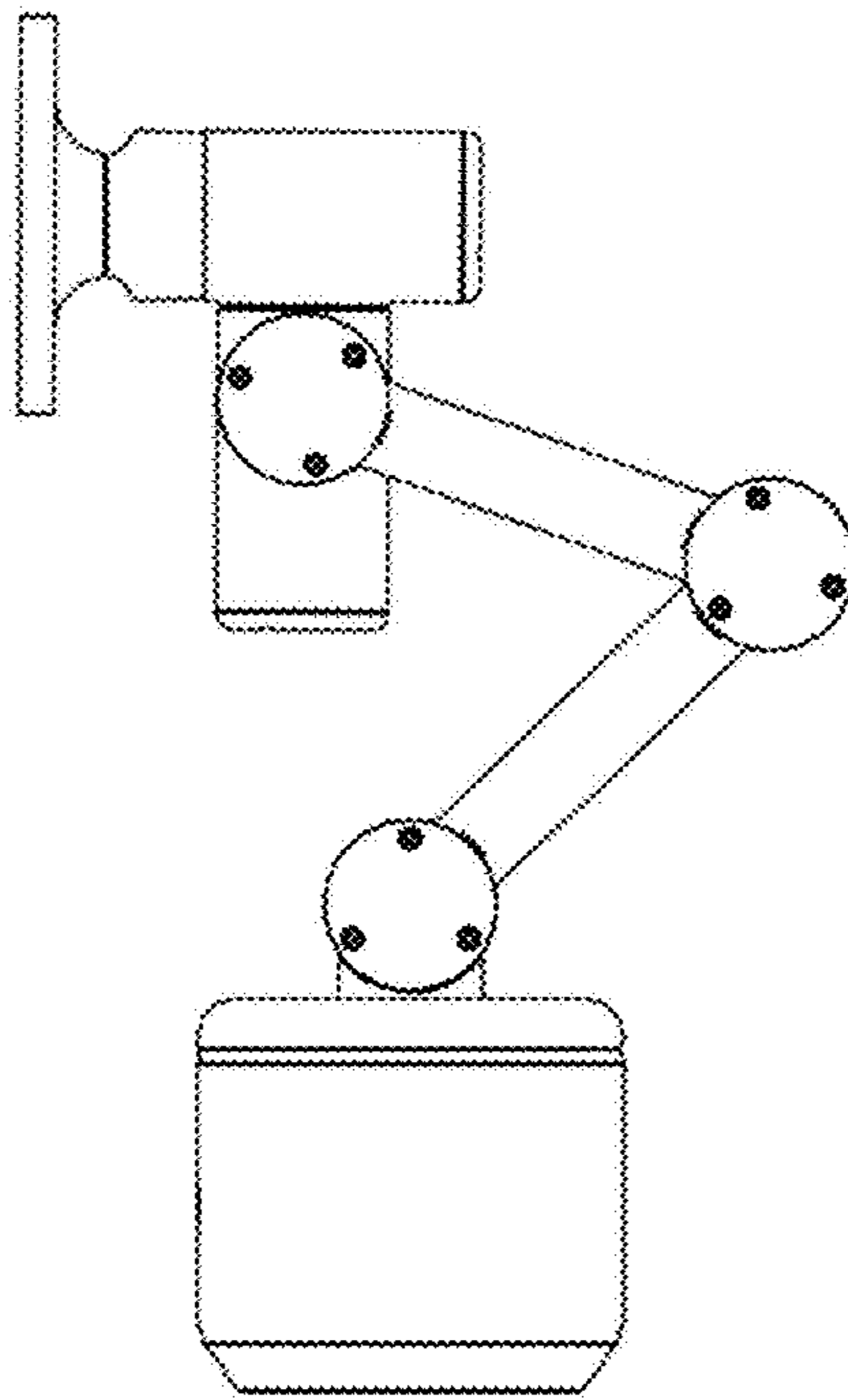


Fig. 4

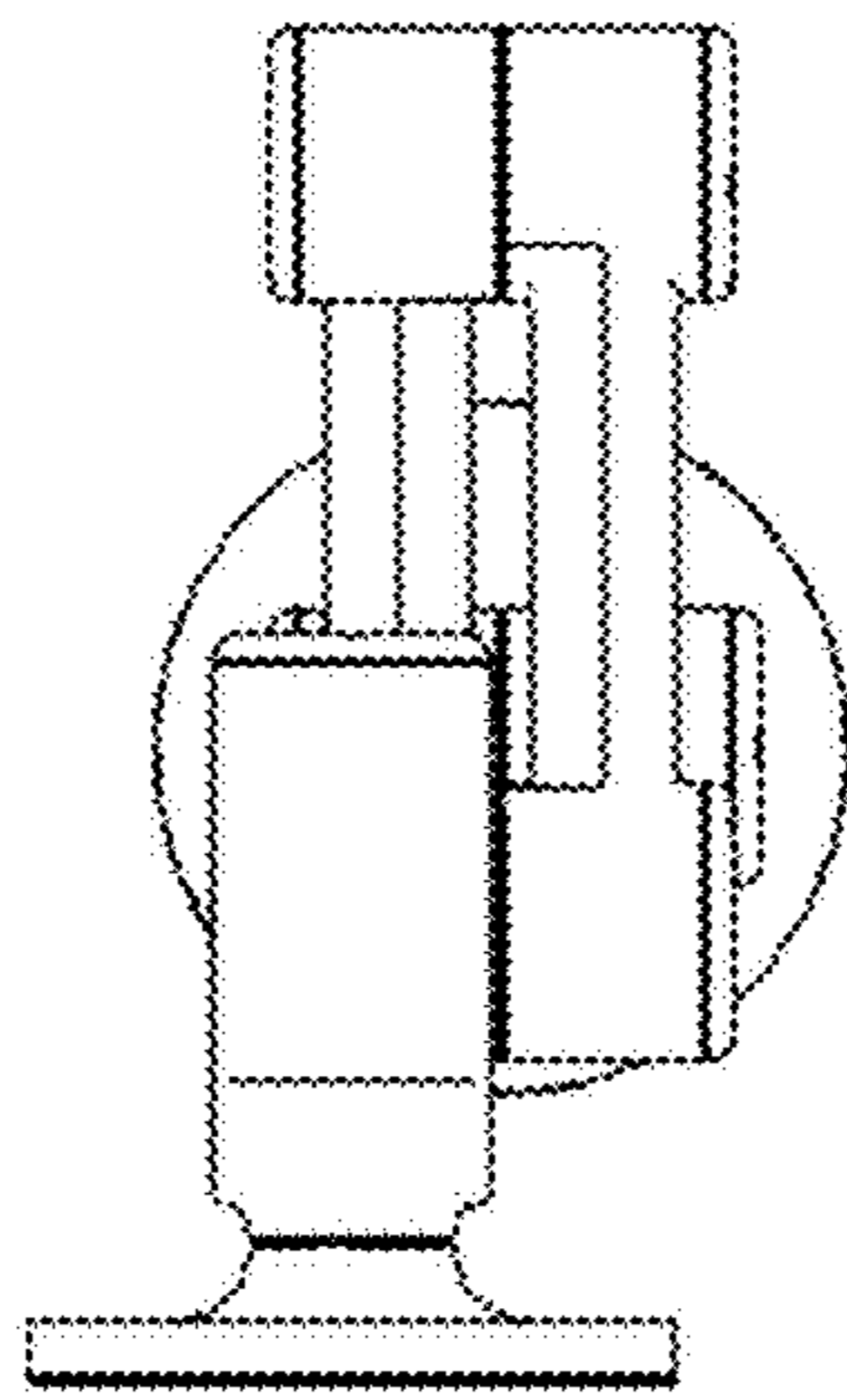


Fig. 5

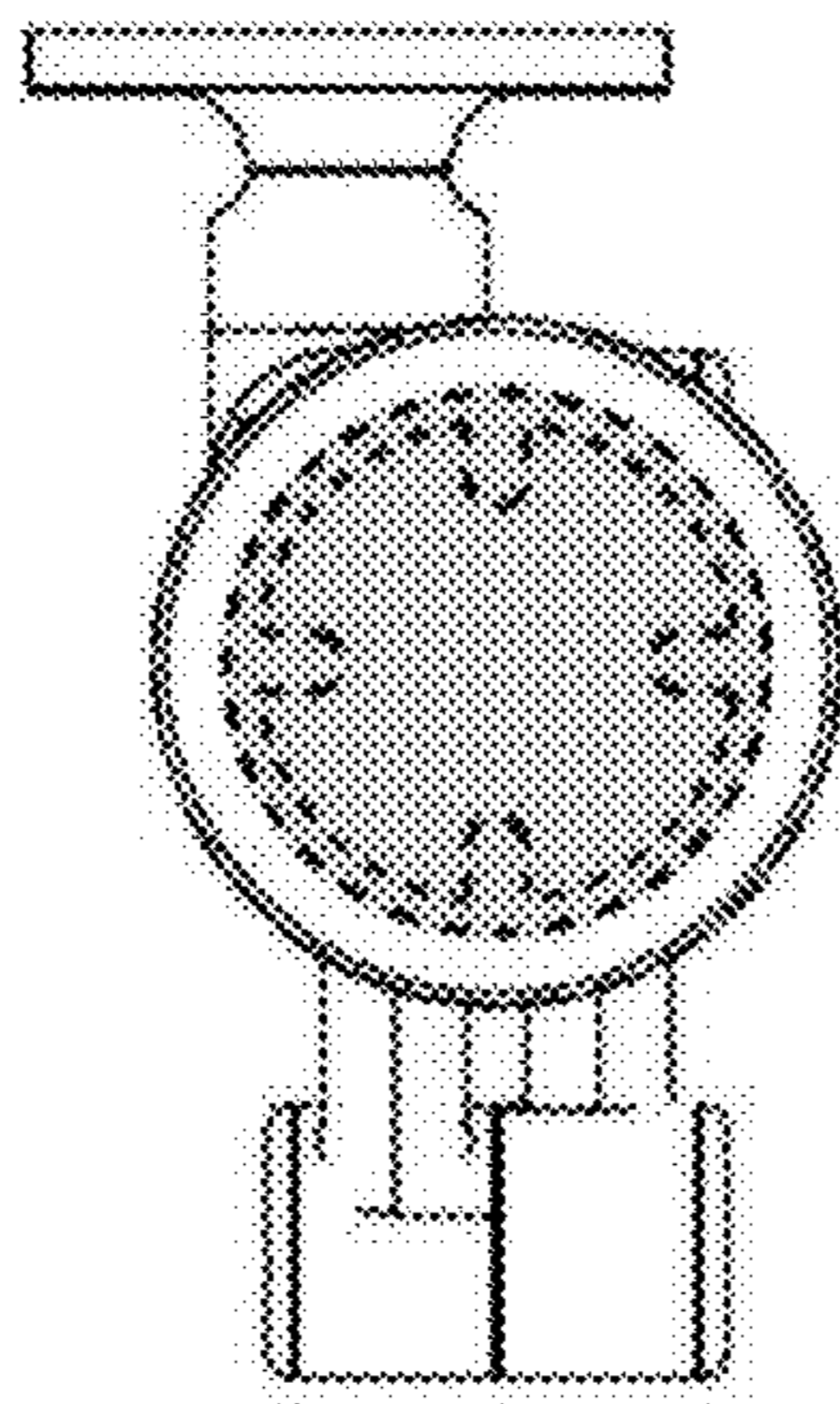


Fig. 6

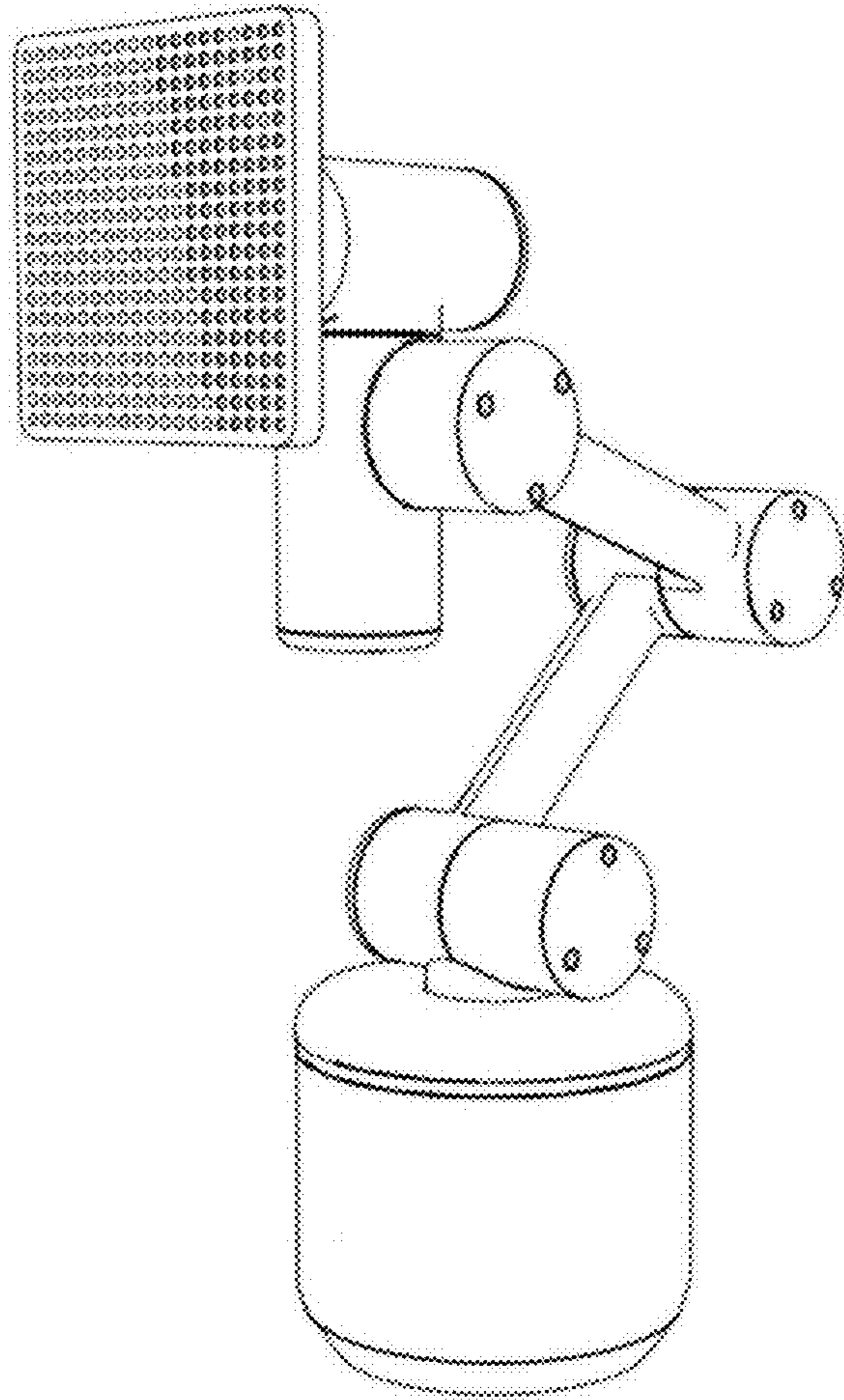


Fig. 7



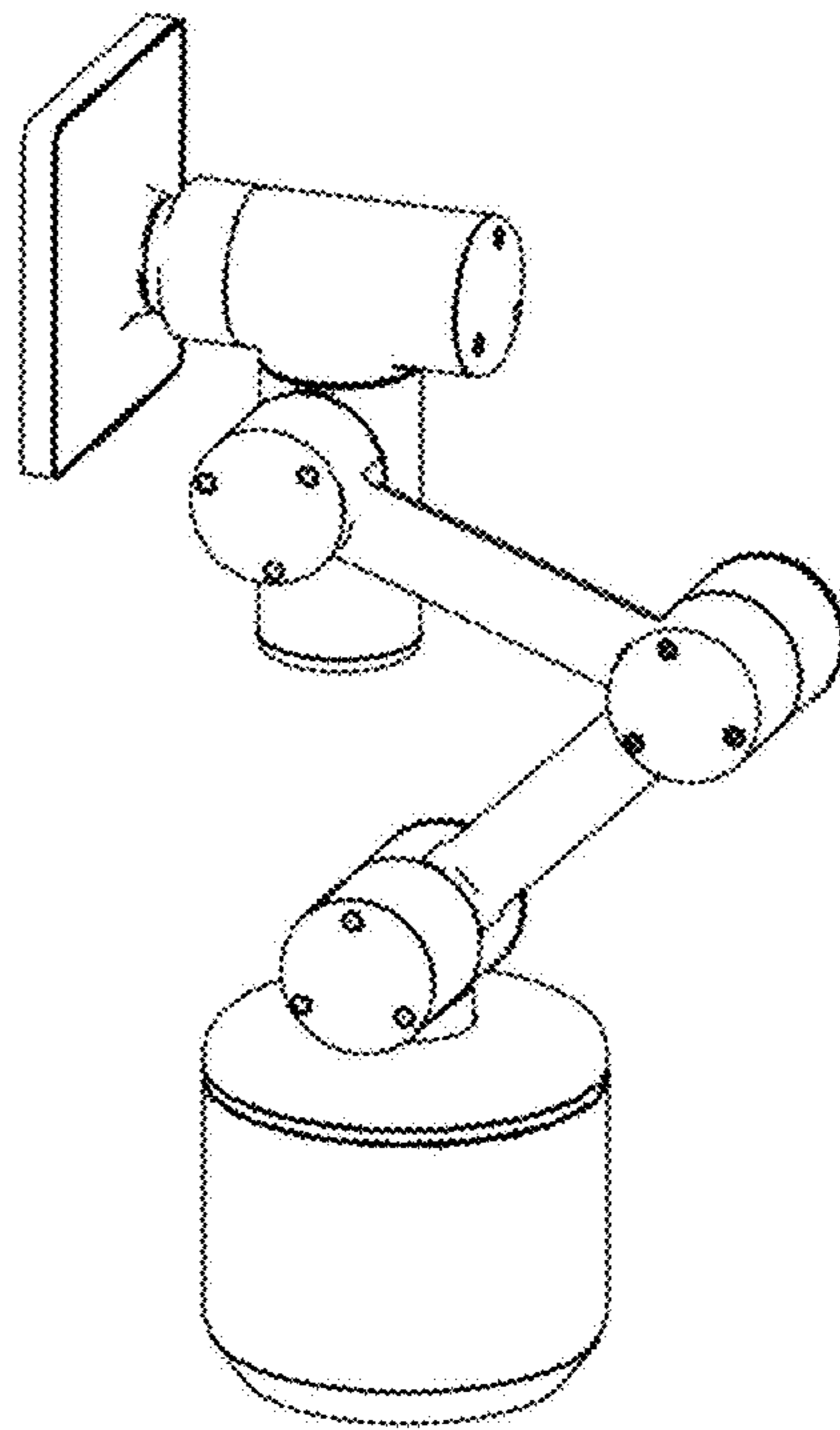


Fig. 8