



US00D855673S

(12) **United States Design Patent** (10) **Patent No.:** **US D855,673 S**
Sutherland et al. (45) **Date of Patent:** **** Aug. 6, 2019**

(54) **SECURITY ROBOT**
(71) Applicant: **CrossWing Inc.**, Markham (CA)
(72) Inventors: **Stephen Sutherland**, Aurora (CA);
Philippe Guillaumont, Oakville (CA);
Daniel Sutherland, Aurora (CA)
(73) Assignee: **CrossWing Inc.**, Aurora, ON (CA)
(**) Term: **15 Years**
(21) Appl. No.: **29/603,842**
(22) Filed: **May 12, 2017**

(30) **Foreign Application Priority Data**
Nov. 15, 2016 (CA) 171589
(51) **LOC (12) Cl.** **15-99**
(52) **U.S. Cl.**
USPC **D15/199**
(58) **Field of Classification Search**
USPC D15/199; D21/578-583, 621, 622
CPC B25J 5/007; B60B 19/006; B62D 57/024;
H01F 7/0221; Y10S 901/01
See application file for complete search history.

(56) **References Cited**
U.S. PATENT DOCUMENTS
7,171,286 B2 * 1/2007 Wang G06F 19/3418
700/248
D549,756 S * 8/2007 Park D15/199
D563,443 S * 3/2008 Ahn D15/199
D644,256 S * 8/2011 Kitano D15/199
D675,656 S * 2/2013 Sutherland D15/199
D725,166 S * 3/2015 Paik D15/199
D726,836 S * 4/2015 Song D15/199
D732,096 S * 6/2015 Jang D15/199
D735,258 S * 7/2015 Jang D15/199
D760,676 S * 7/2016 Chalabi D14/125

D766,644 S * 9/2016 Huang D15/199
9,535,421 B1 * 1/2017 Canoso G05D 1/0214
D793,145 S * 8/2017 Huang D15/199
9,854,203 B2 * 12/2017 Benetti B25J 9/1676
D810,167 S * 2/2018 Yang D15/199
D810,800 S * 2/2018 Wang D15/199
D811,458 S * 2/2018 Wang D15/199
D813,284 S * 3/2018 Wei D15/199
D813,285 S * 3/2018 Wei D15/199
2012/0185095 A1 * 7/2012 Rosenstein B25J 5/007
700/259
2014/0009561 A1 * 1/2014 Sutherland B25J 5/007
348/14.05
2015/0081338 A1 * 3/2015 Lai G06Q 50/22
705/3

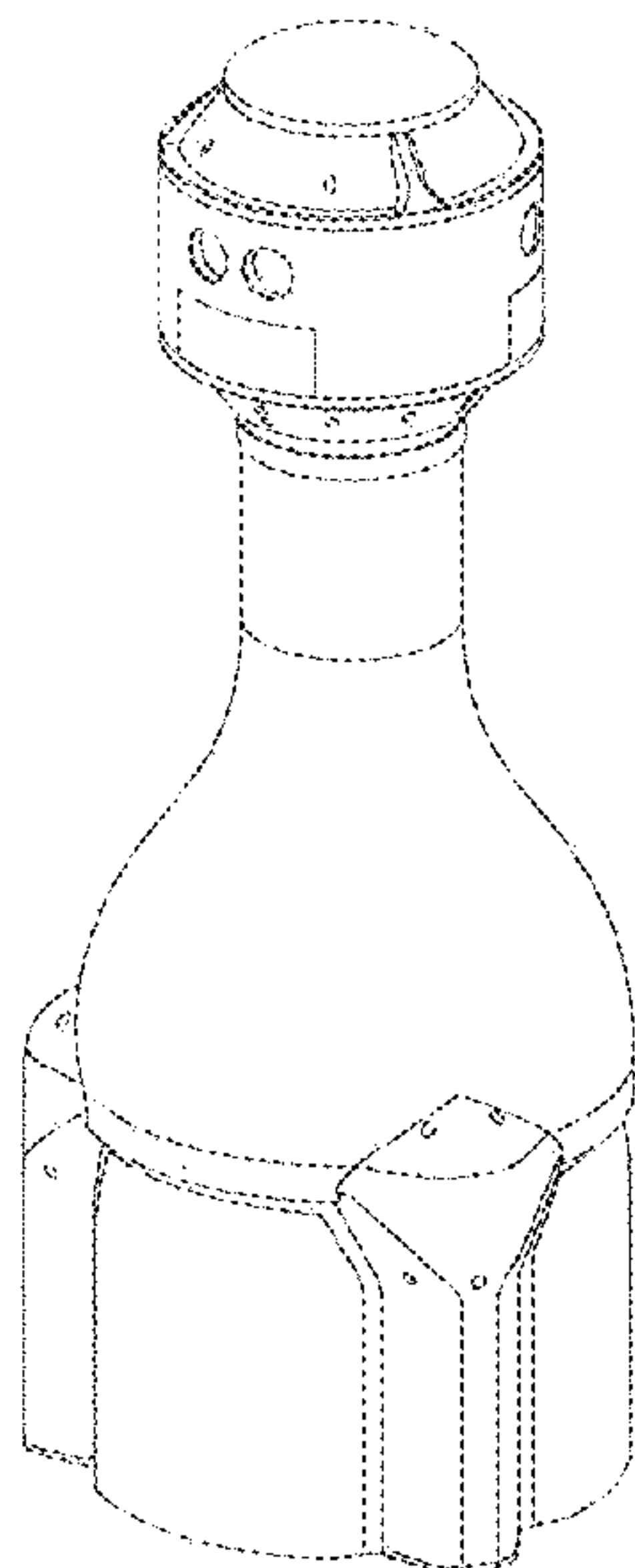
(Continued)

Primary Examiner — Patricia A Palasik

(57) **CLAIM**
We claim the ornamental design for a security robot, as shown and described.

DESCRIPTION
FIG. 1 is a perspective view of the security robot;
FIG. 2 is a front view of the security robot;
FIG. 3 is a right side view of the security robot;
FIG. 4 is the left side view of the security robot;
FIG. 5 is a top view of the security robot;
FIG. 6 is a perspective view of the security robot in an extended position;
FIG. 7 is a front view of the security robot of FIG. 6;
FIG. 8 is a right side view of the security robot of FIG. 6; and,
FIG. 9 is a left side view of the security robot of FIG. 6.
The broken lines immediately adjacent the areas with solid lines represent the bounds of the claimed design, while all other broken lines are directed to environment and are for illustrative purposes only; the broken lines form no part of the claimed design.

1 Claim, 9 Drawing Sheets



(56)

References Cited

U.S. PATENT DOCUMENTS

2015/0224640 A1* 8/2015 Vu B25J 5/007
700/259
2016/0229058 A1* 8/2016 Pinter G06Q 50/22

* cited by examiner

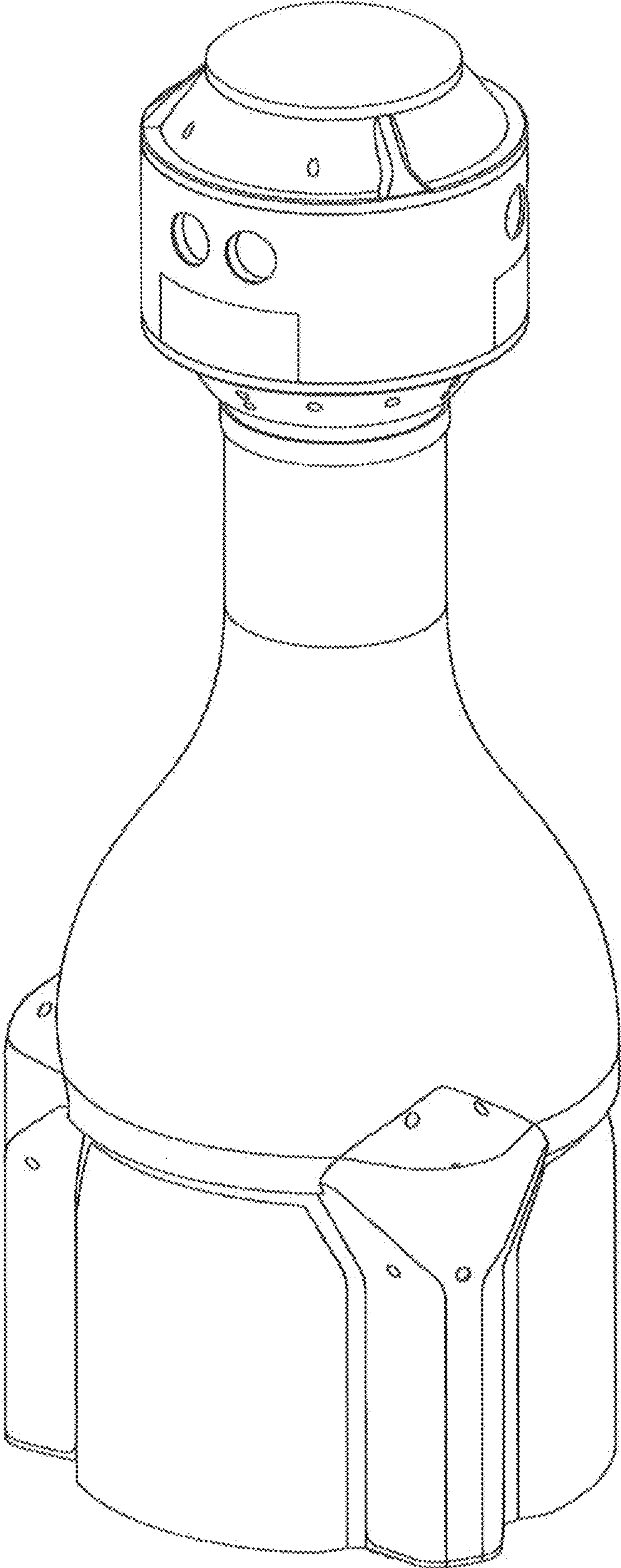


FIG. 1

Fig. 2

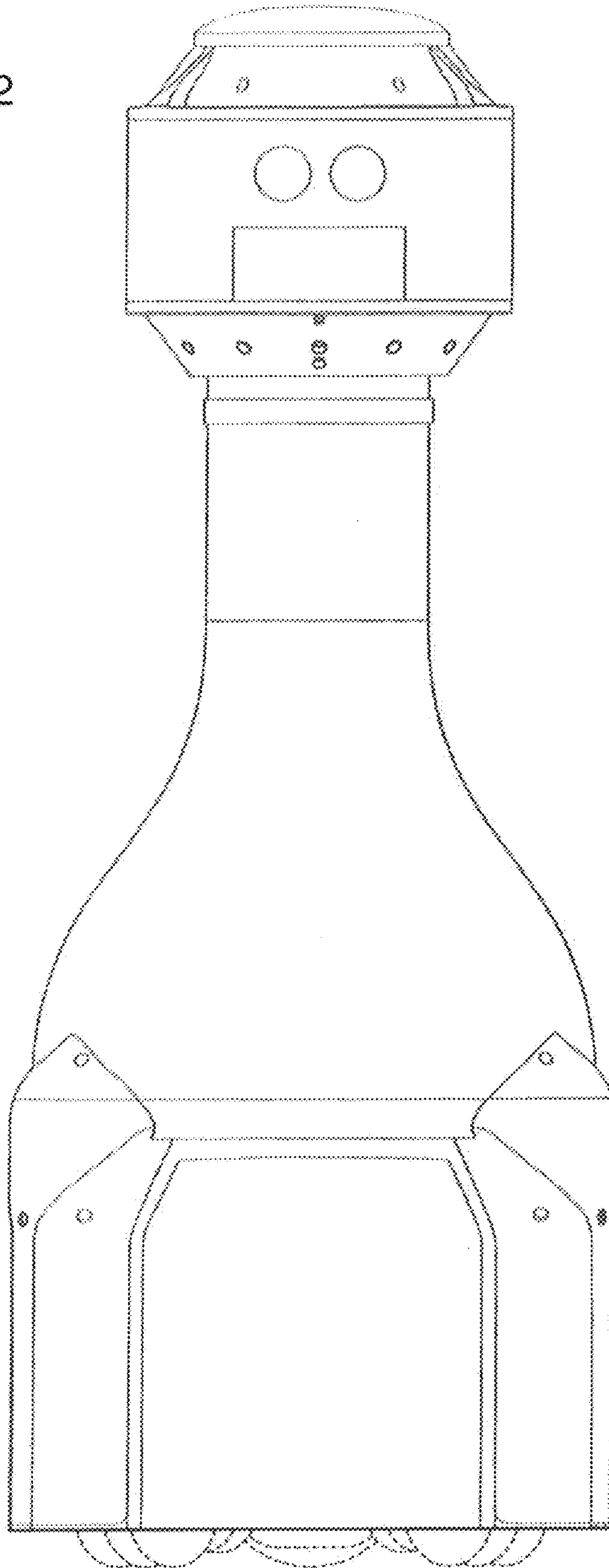


Fig. 3

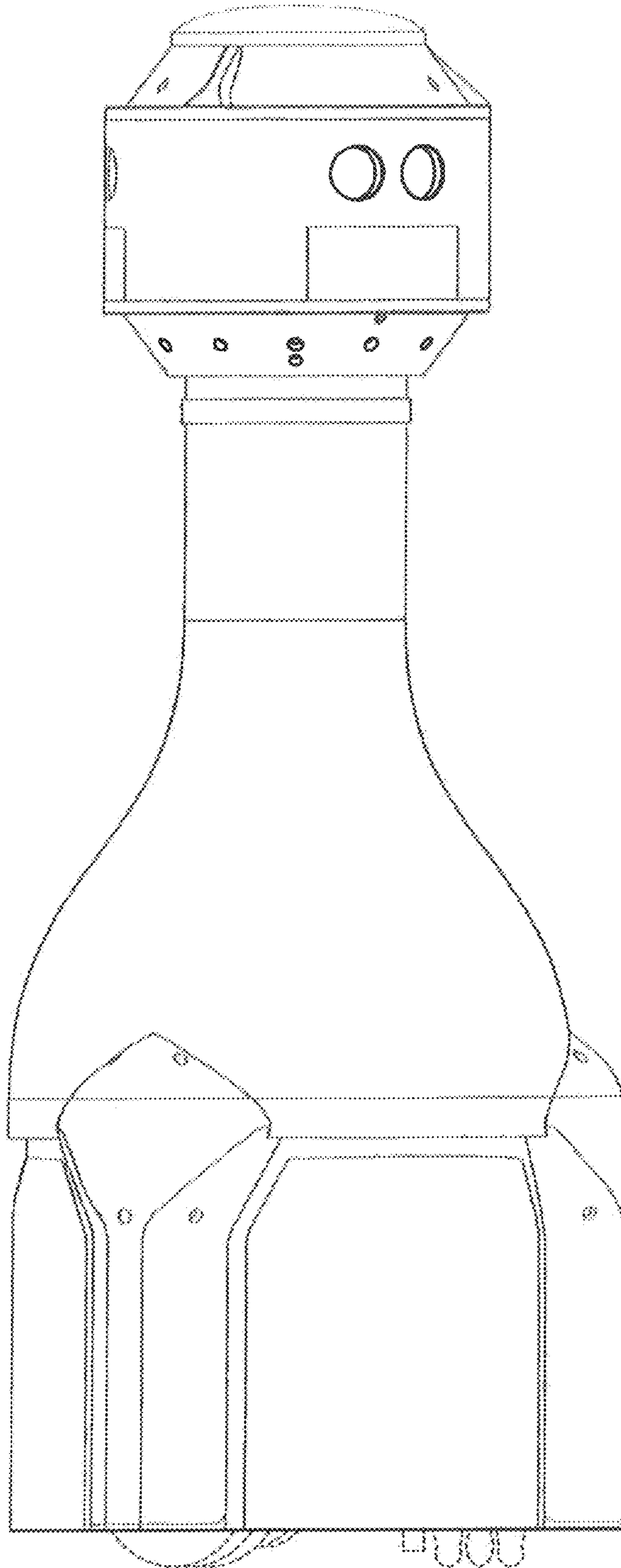
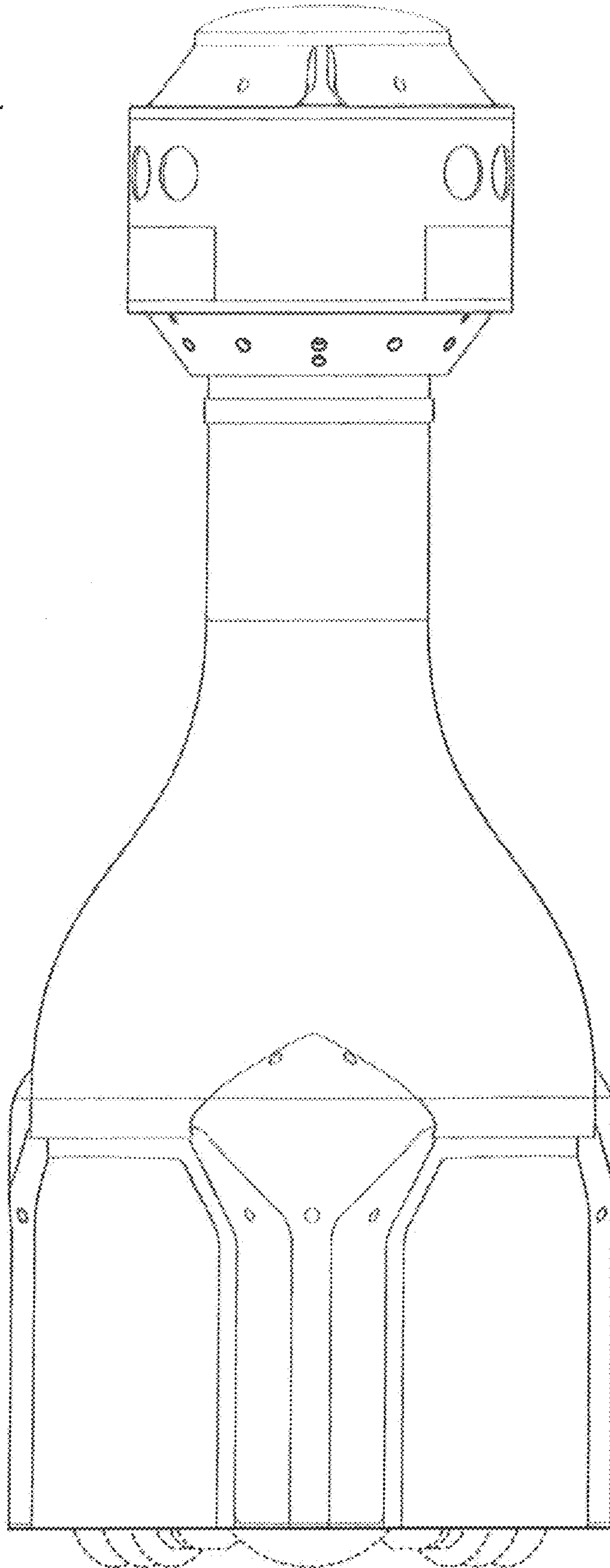


Fig. 4



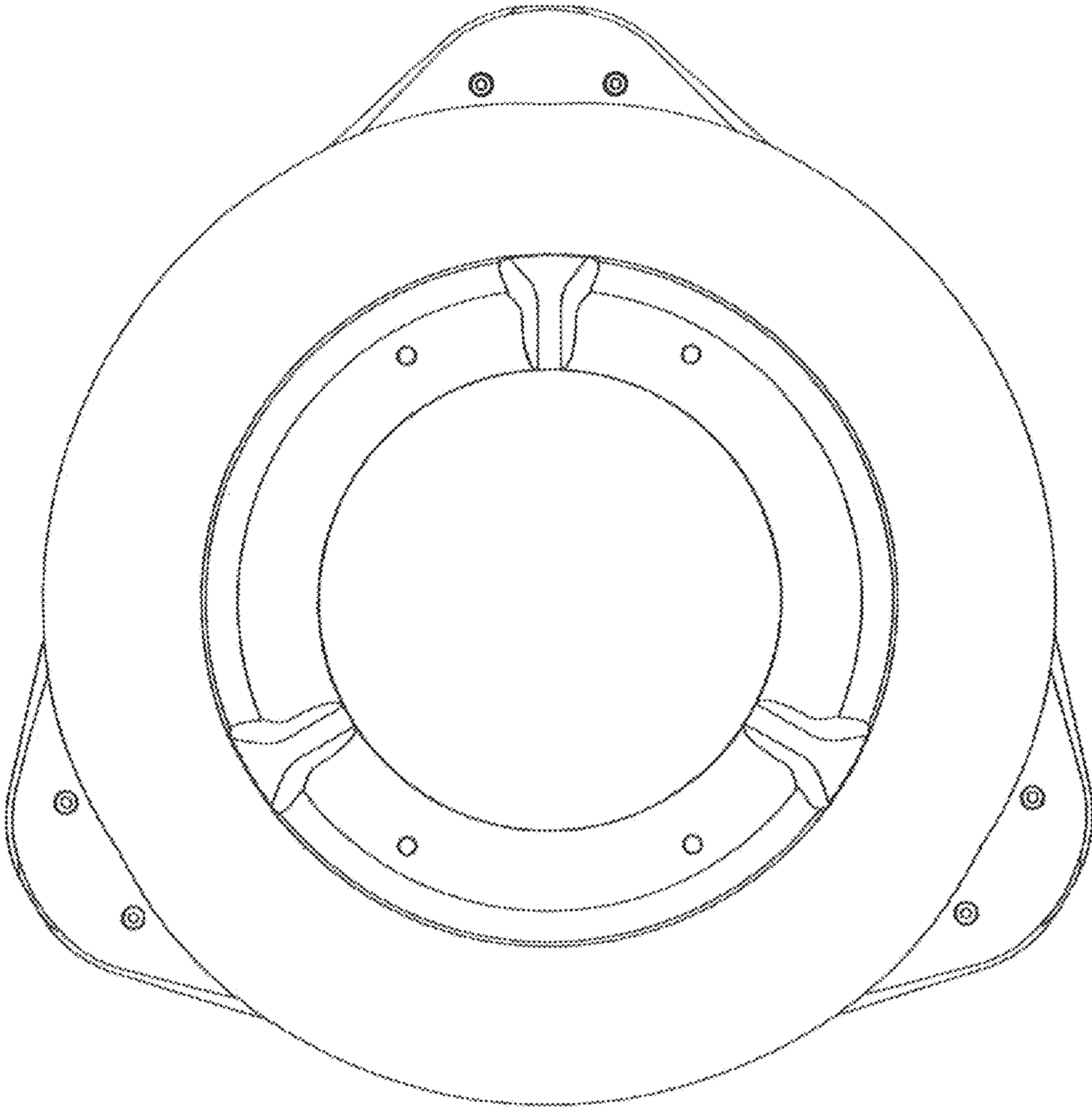


FIG. 5

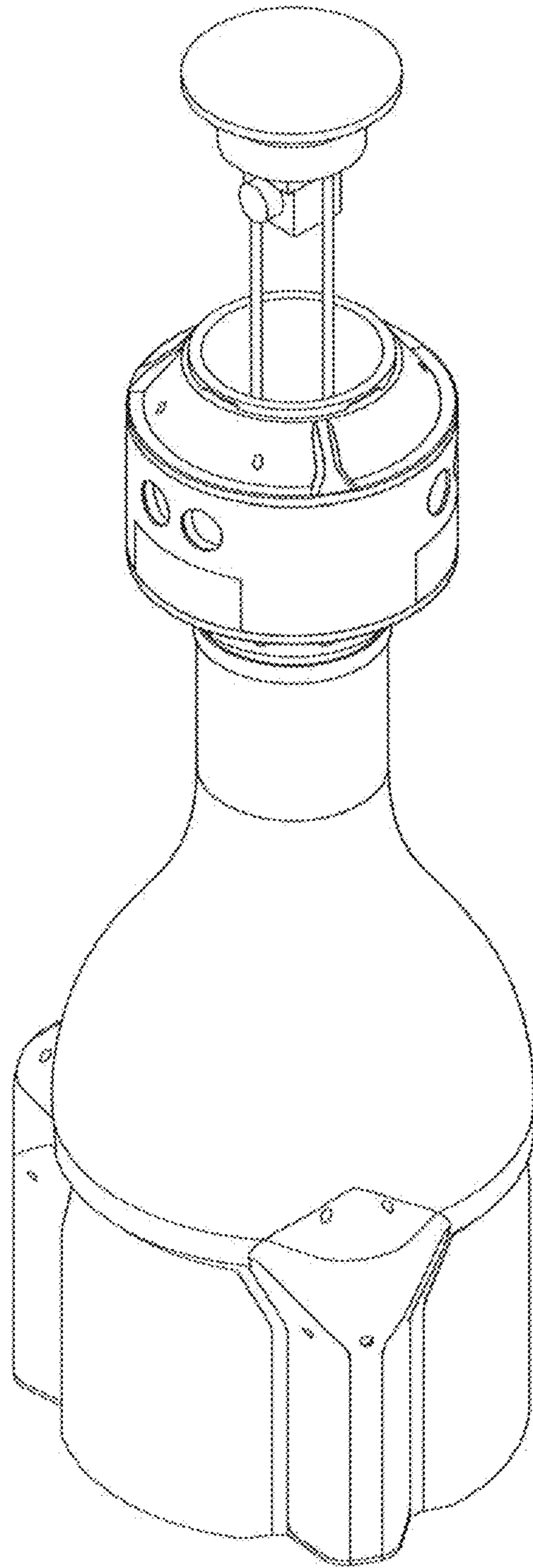


FIG. 6

Fig. 7

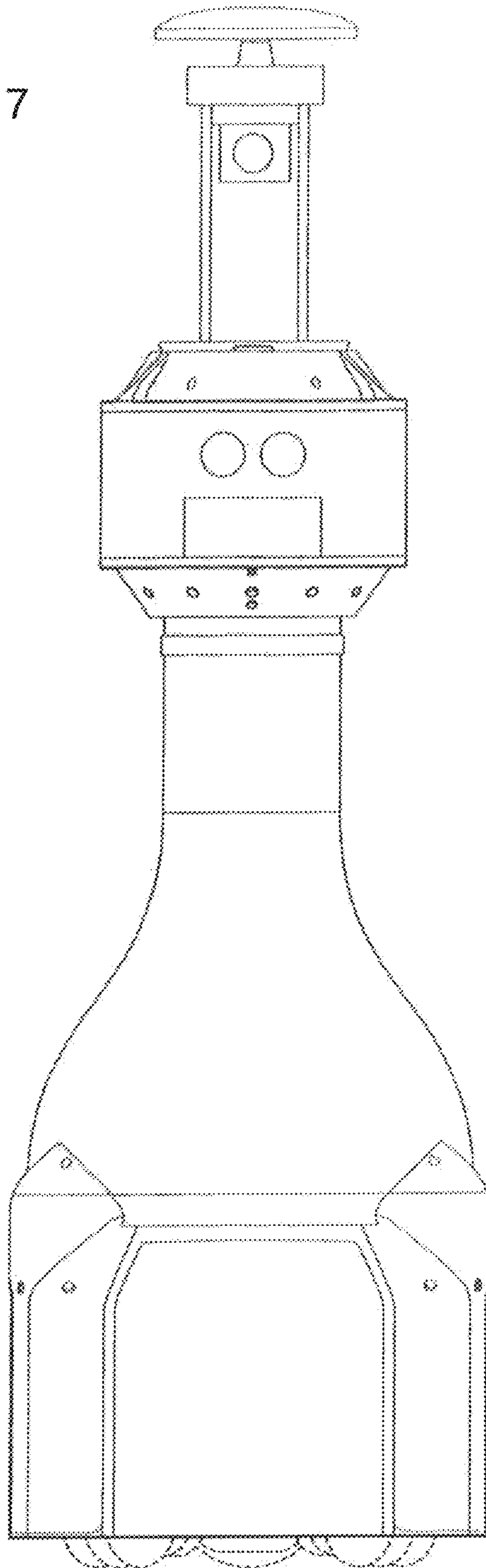


Fig. 8

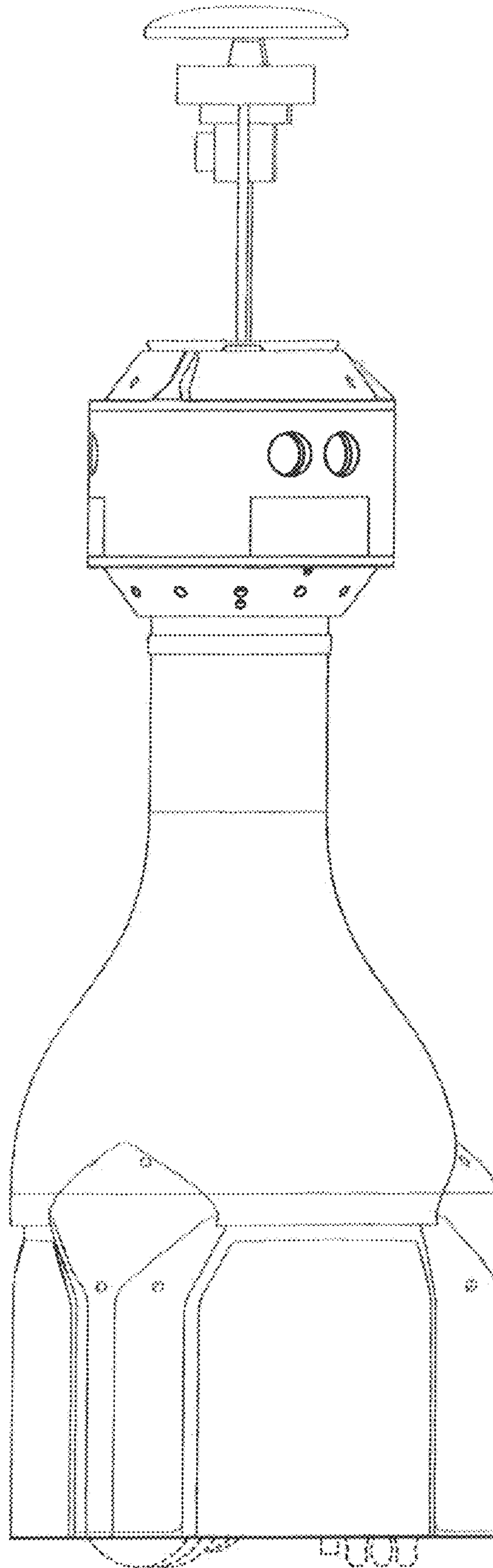


Fig. 9

