



US00D855672S

(12) **United States Design Patent**  
**Bennett**

(10) **Patent No.:** **US D855,672 S**

(45) **Date of Patent:** **\*\* Aug. 6, 2019**

(54) **OIL CONTAINER DRAIN**

(71) Applicant: **Hopkins Manufacturing Corporation**,  
Emporia, KS (US)

(72) Inventor: **Kyle Bennett**, Emporia, KS (US)

(73) Assignee: **Hopkins Manufacturing Corporation**,  
Emporia, KS (US)

(\*\*) Term: **15 Years**

(21) Appl. No.: **29/672,380**

(22) Filed: **Dec. 5, 2018**

**Related U.S. Application Data**

(62) Division of application No. 29/560,201, filed on Apr. 4, 2016, now Pat. No. Des. 839,330.

(51) **LOC (12) Cl.** ..... **09-09**

(52) **U.S. Cl.**  
USPC ..... **D15/150**

(58) **Field of Classification Search**  
USPC ..... D15/150-152; D24/123  
CPC ..... F16N 31/004; F16N 31/002; B65D 25/00;  
F01M 11/0458; F01M 11/04

See application file for complete search history.

(56) **References Cited**

**U.S. PATENT DOCUMENTS**

2,267,552 A *	12/1941	Currier	.....	F16N 31/002
				184/1.5
D220,470 S *	4/1971	Lewis	.....	269/15
D262,776 S *	1/1982	Sandow	.....	D15/152
4,488,584 A *	12/1984	Hestehave	.....	B65D 25/20
				141/331
4,673,081 A *	6/1987	Habig	.....	B65D 25/20
				141/98

(Continued)

**OTHER PUBLICATIONS**

“Hopkins Towing Solution 42001MI Oil Drain Container.” Found online Mar. 15, 2018 at [www.amazon.com](http://www.amazon.com). Page dated Dec. 18, 2016. Retrieved from URL: <https://www.amazon.com/Hopkins-Towing-Solution-42001MI-Container/dp/B01MZ168MK> (Year: 2016).\*

(Continued)

*Primary Examiner* — Garth Rademaker

*Assistant Examiner* — Katelin G Kloberg

(74) *Attorney, Agent, or Firm* — Hovey Williams LLP

(57) **CLAIM**

The ornamental design for an oil container drain, as shown and described.

**DESCRIPTION**

FIG. 1 is a top perspective view of an oil container drain, showing my new design;

FIG. 2 is a bottom perspective view of the oil container drain of FIG. 1;

FIG. 3 is another top perspective view of the oil container drain of FIG. 1;

FIG. 4 is another bottom perspective view of the oil container drain of FIG. 1;

FIG. 5 is a top plan view of the oil container drain of FIG. 1;

FIG. 6 is a bottom view of the oil container drain of FIG. 1;

FIG. 7 is a side elevational view of the oil container drain of FIG. 1;

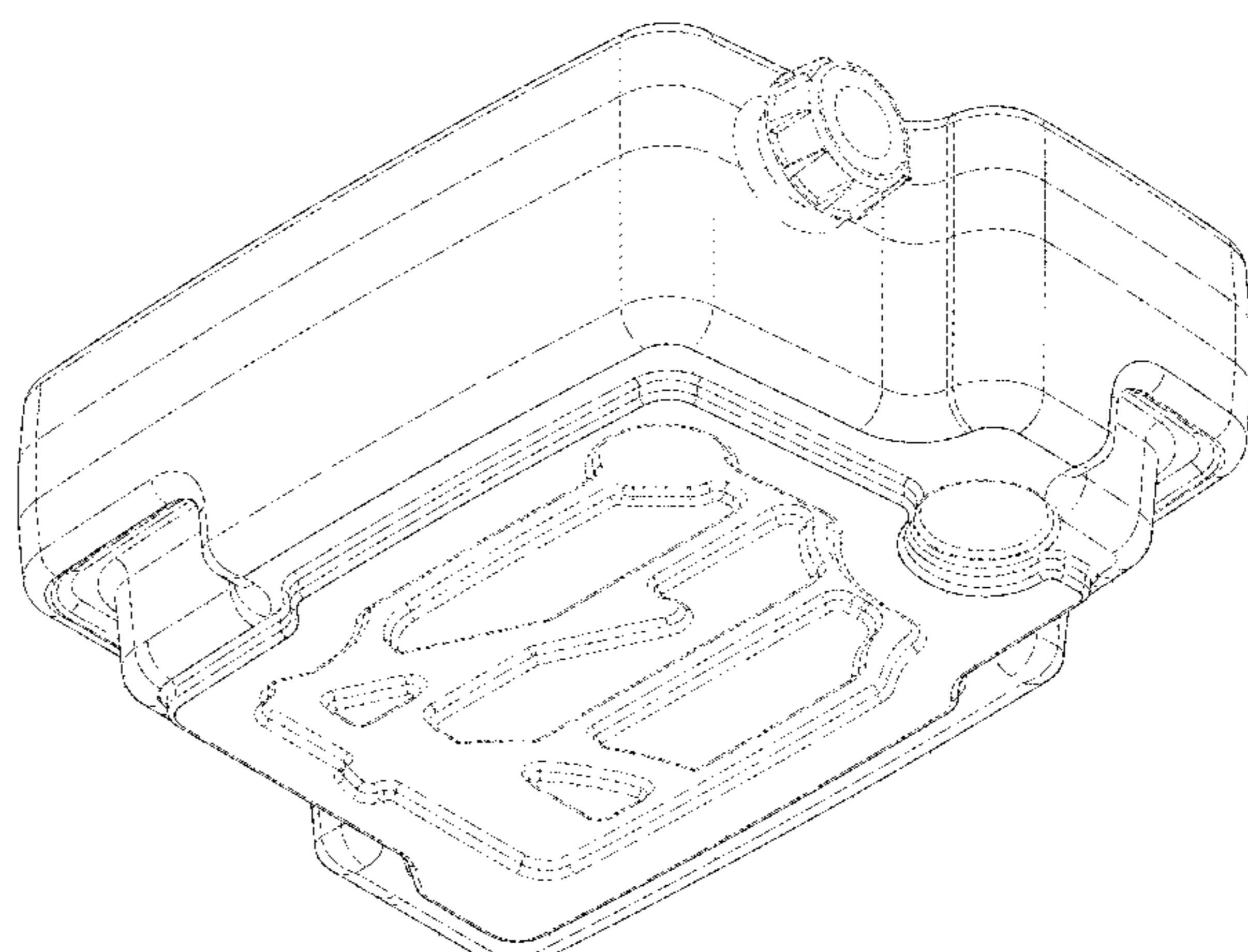
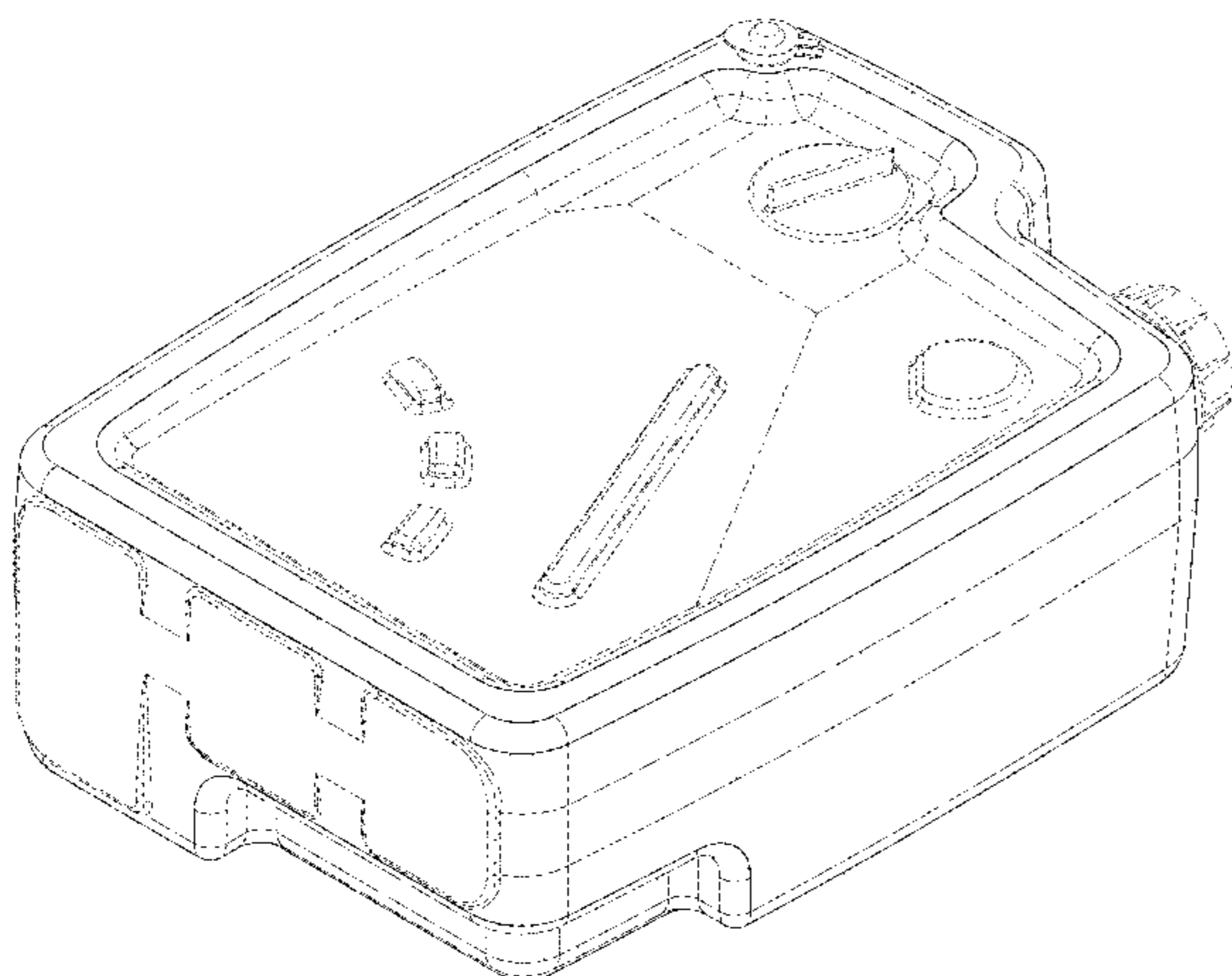
FIG. 8 is another side elevational view of the oil container drain of FIG. 1;

FIG. 9 is a front end view of the oil container drain of FIG. 1; and,

FIG. 10 is a rear end view of the oil container drain of FIG. 1.

The broken lines shown in the drawings depict portions of the article and form no part of the claimed design.

**1 Claim, 8 Drawing Sheets**



(56)

**References Cited**

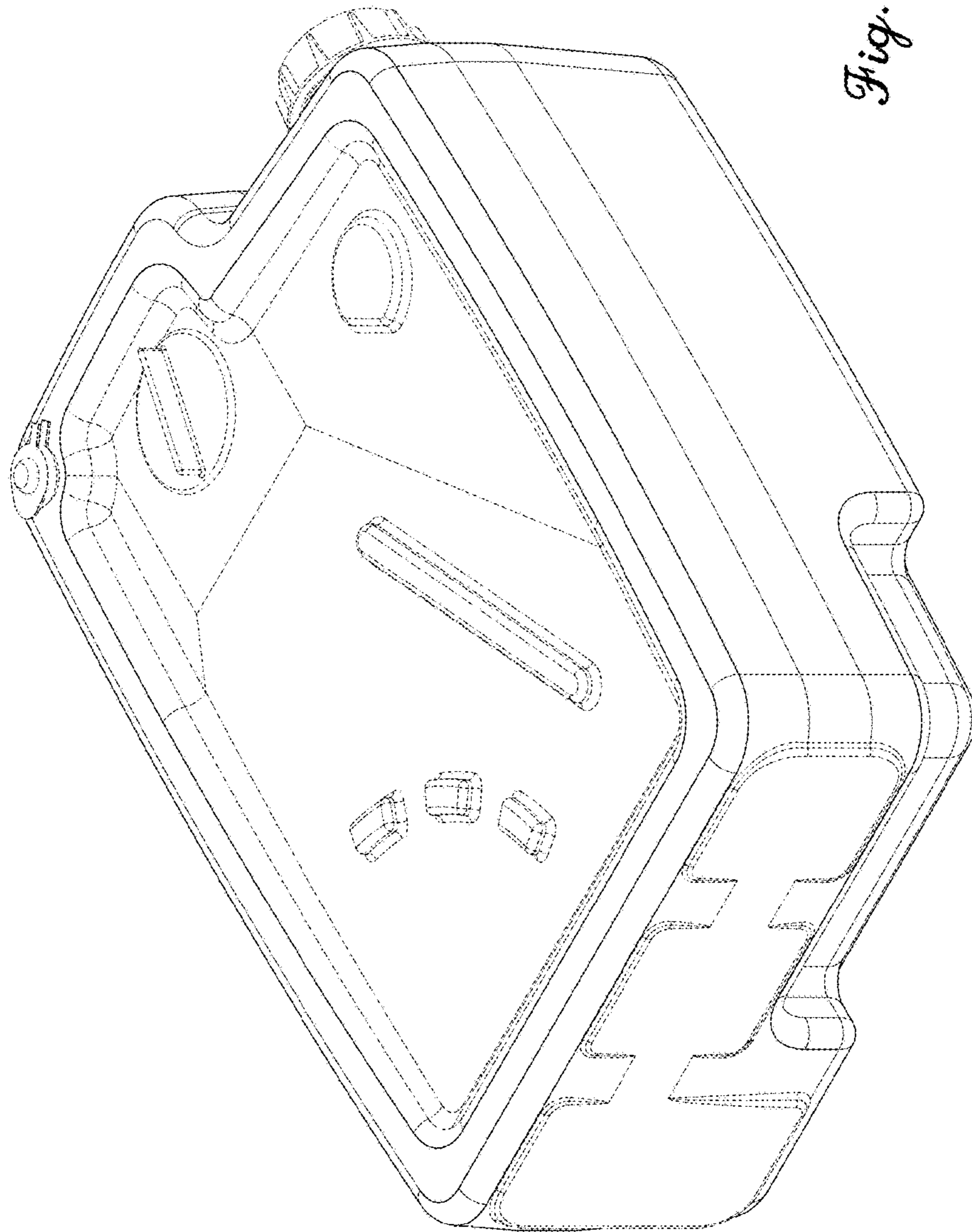
U.S. PATENT DOCUMENTS

4,969,571 A \* 11/1990 Bartz ..... B65D 1/20  
215/382  
D351,394 S \* 10/1994 Morris ..... D15/152  
5,503,246 A \* 4/1996 Raboin ..... B65D 25/00  
141/98  
D520,367 S \* 5/2006 Morris ..... D9/527  
8,109,364 B2 \* 2/2012 Phillips ..... B67D 7/62  
184/1.5  
8,210,389 B2 \* 7/2012 Treslo ..... F16N 31/004  
141/98  
D683,777 S \* 6/2013 Forbis ..... D15/150  
2011/0042385 A1 \* 2/2011 Treslo ..... F16N 31/004  
220/571

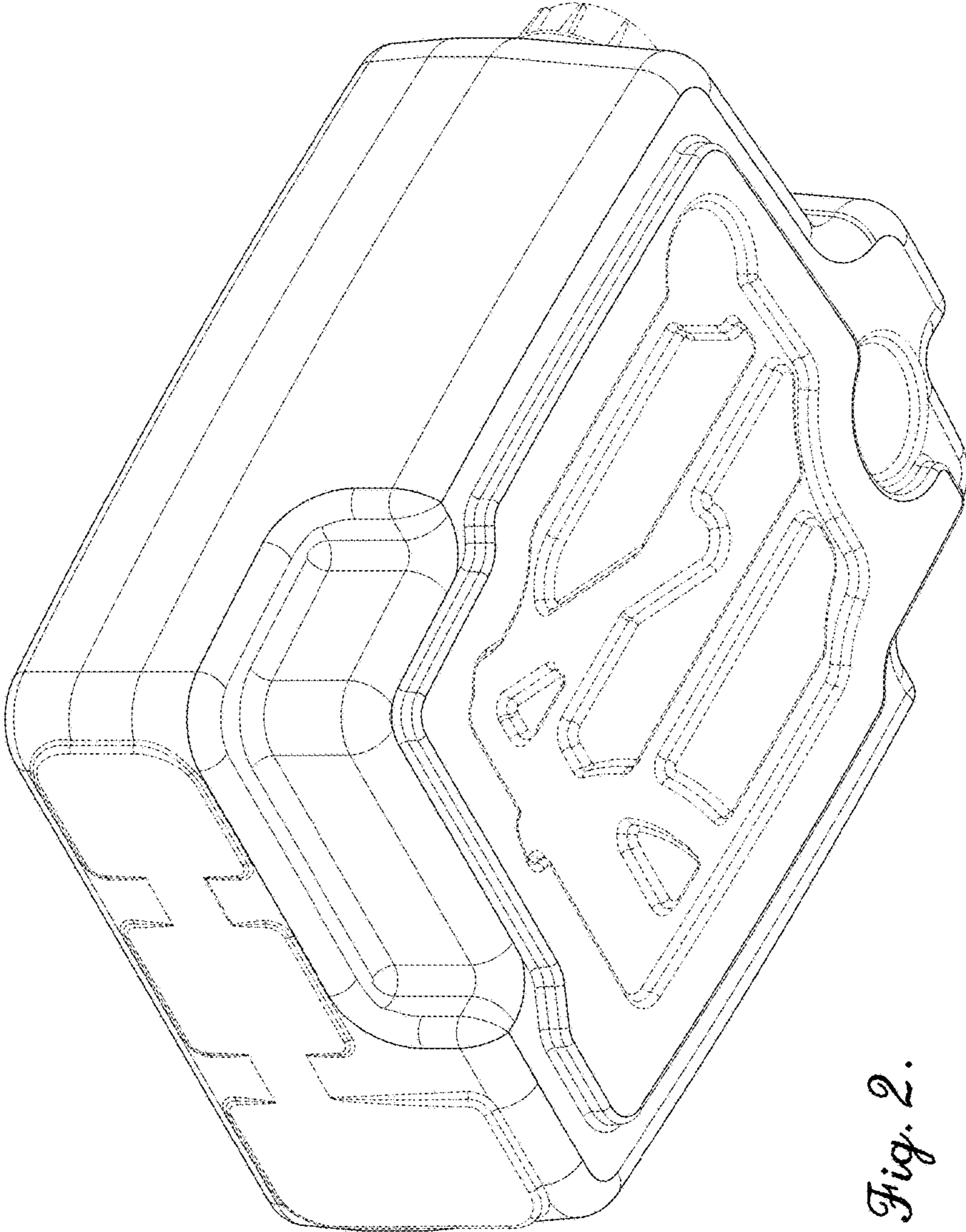
OTHER PUBLICATIONS

“FloTool 11 Quart Drain.” Found online Mar. 15, 2018 at shop.  
advanceautoparts.com. No verifiable date. Retrieved from URL:  
<https://goo.gl/1GFpcH> (Year: 2018).\*

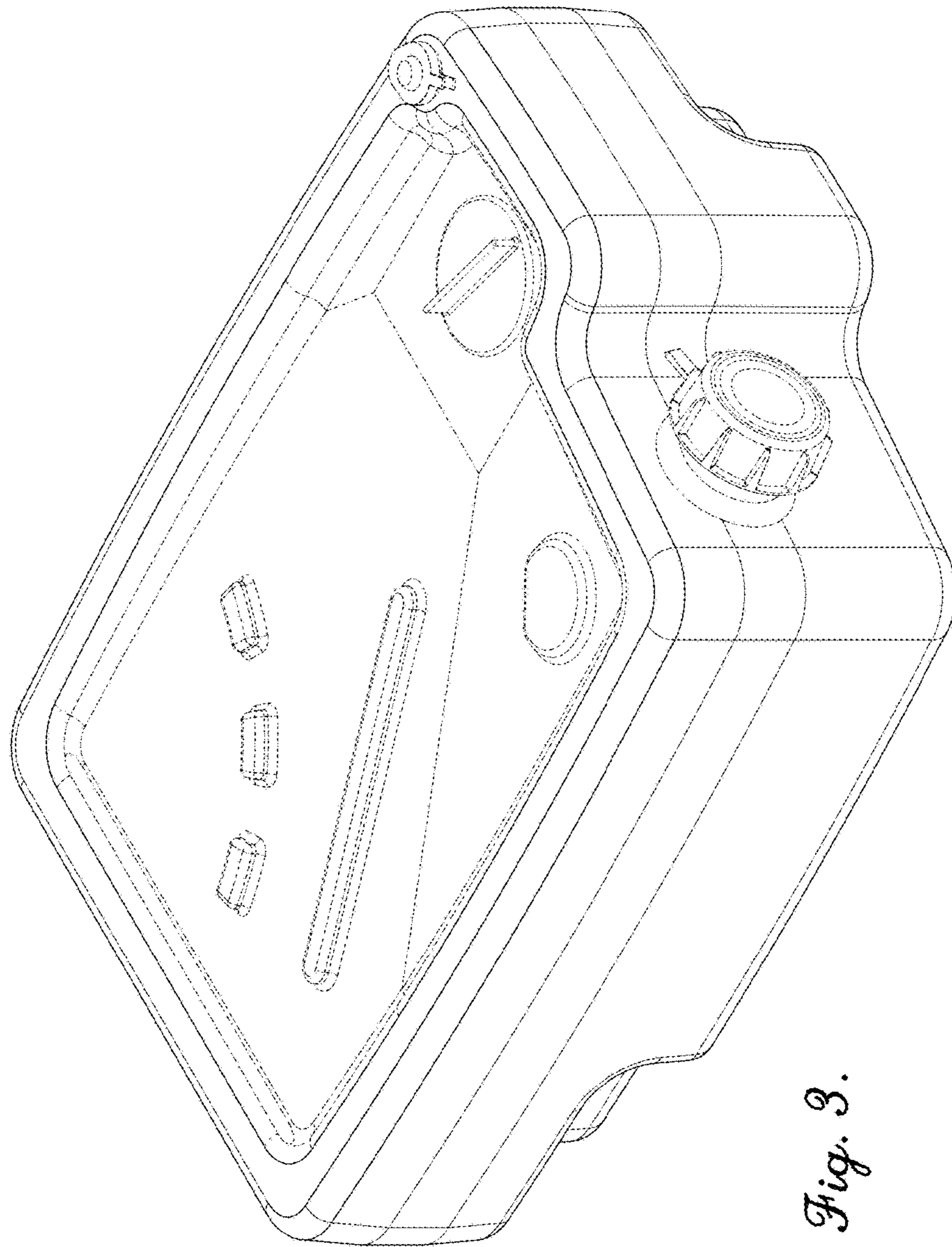
\* cited by examiner



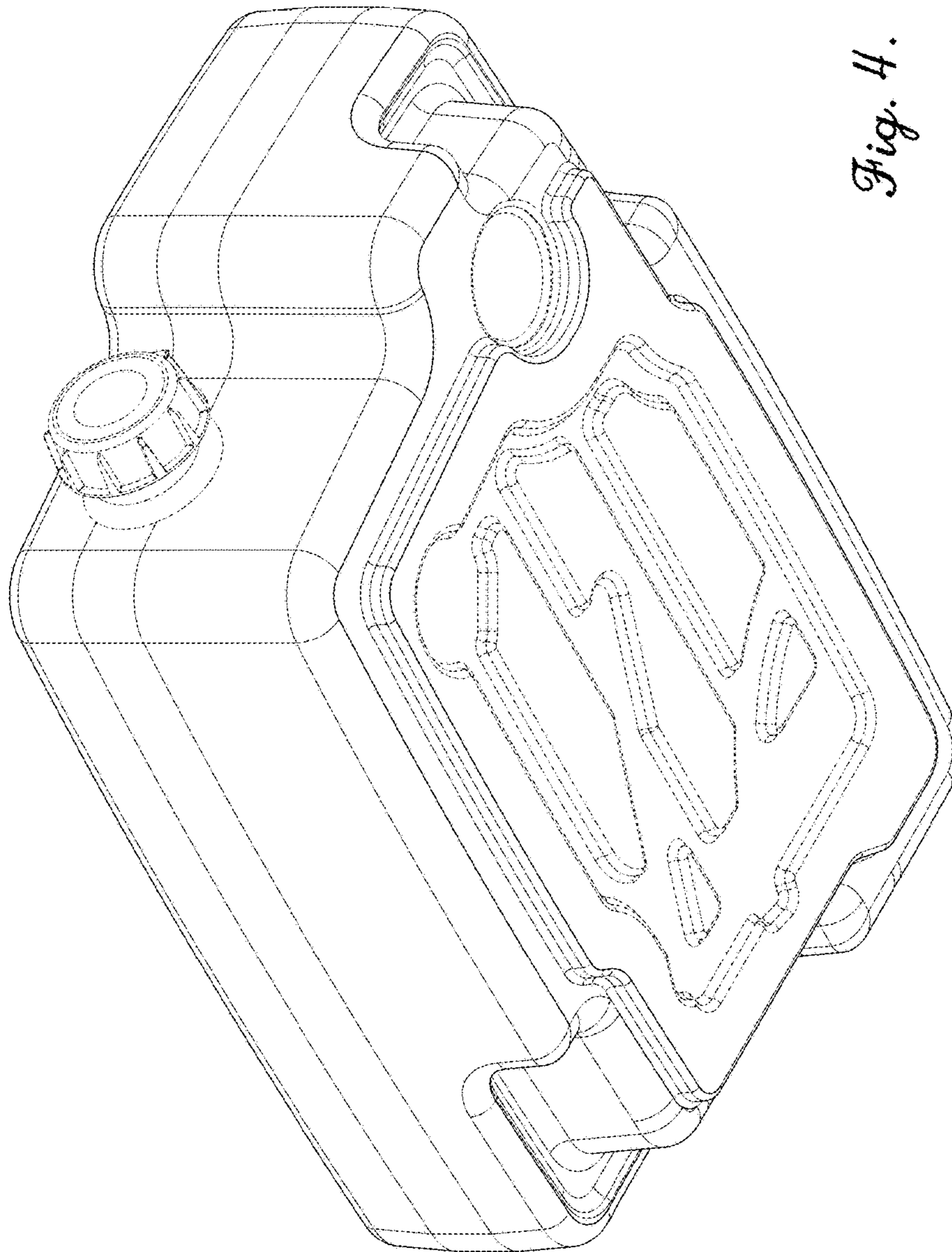
*Fig. 1.*



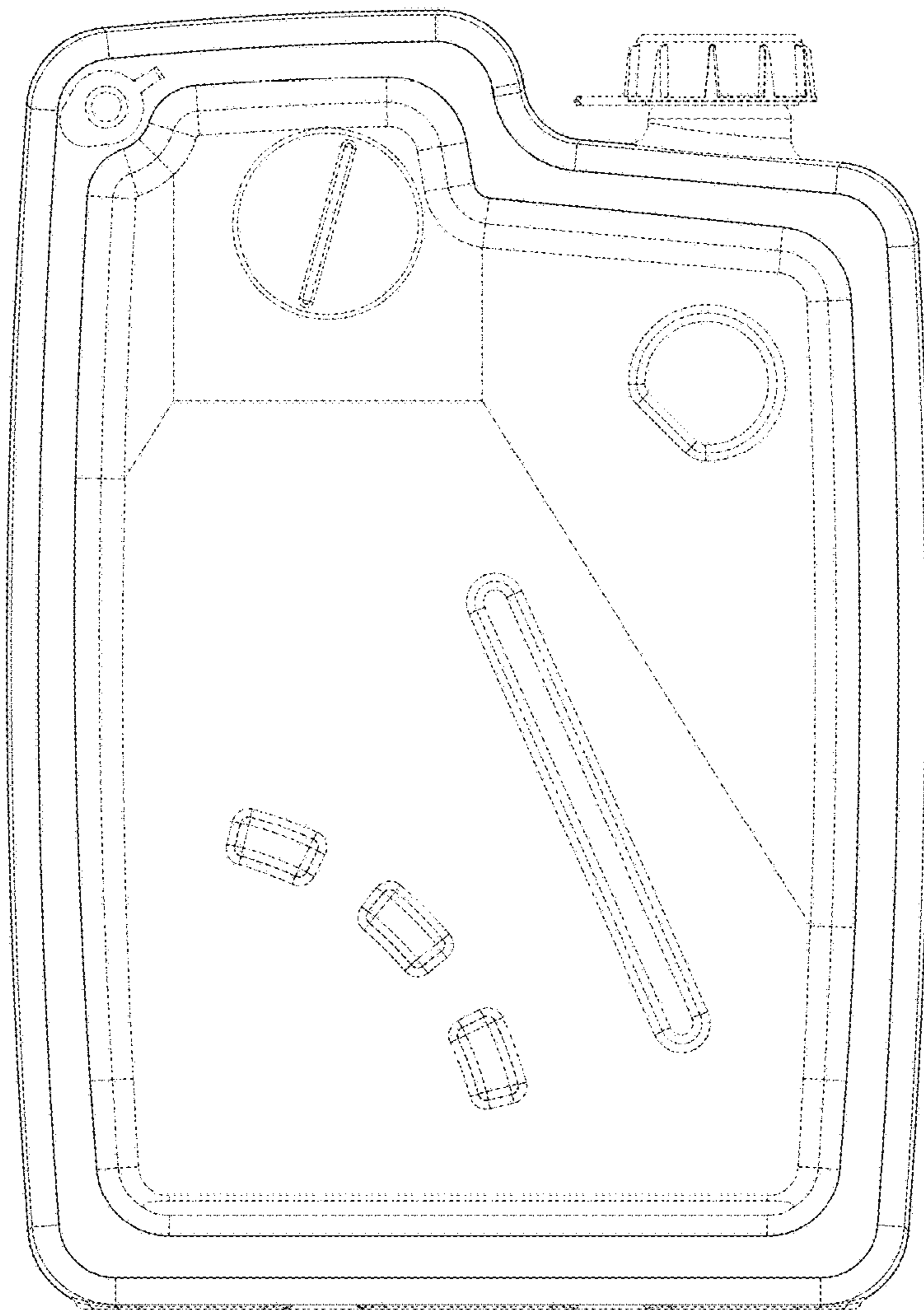
*Fig. 2.*



*Fig. 3.*

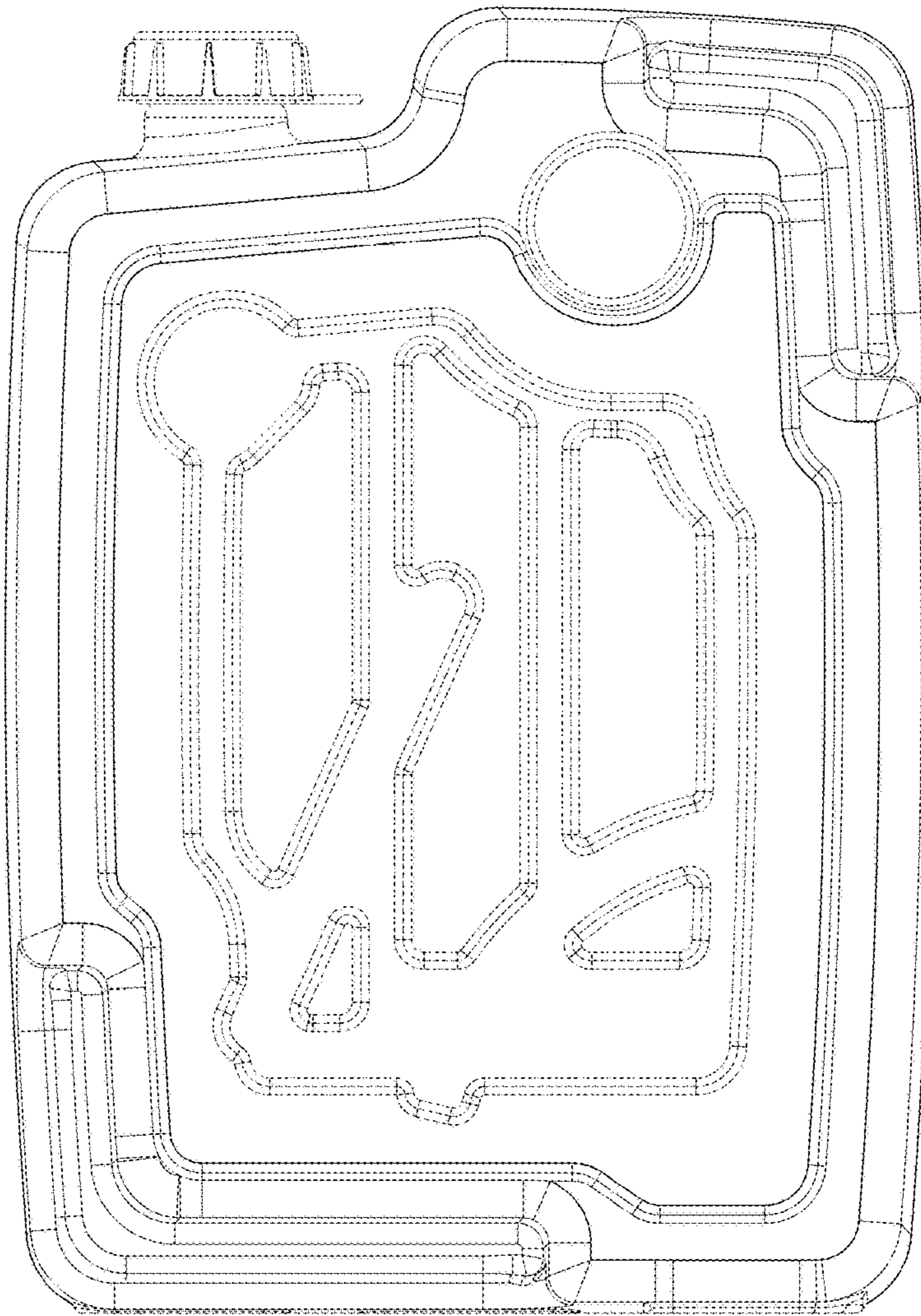


*Fig. 4.*



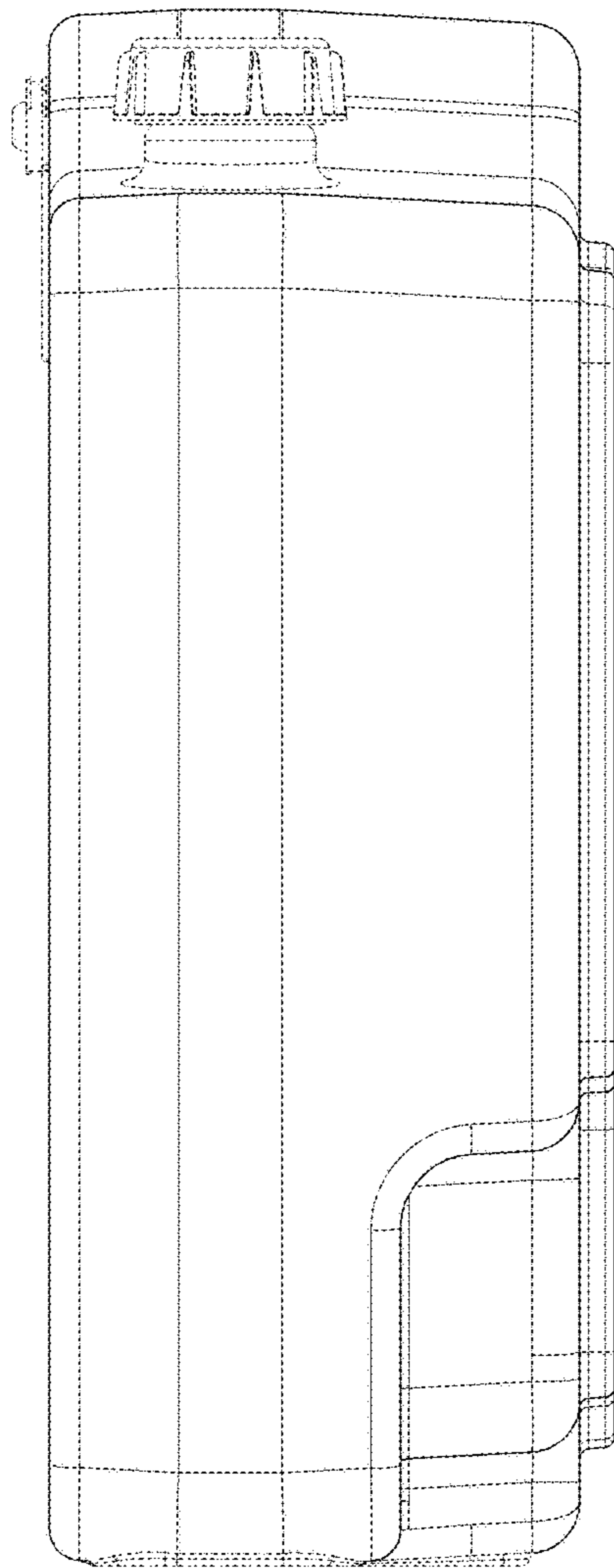
*Fig. 5.*

*Fig. 6.*

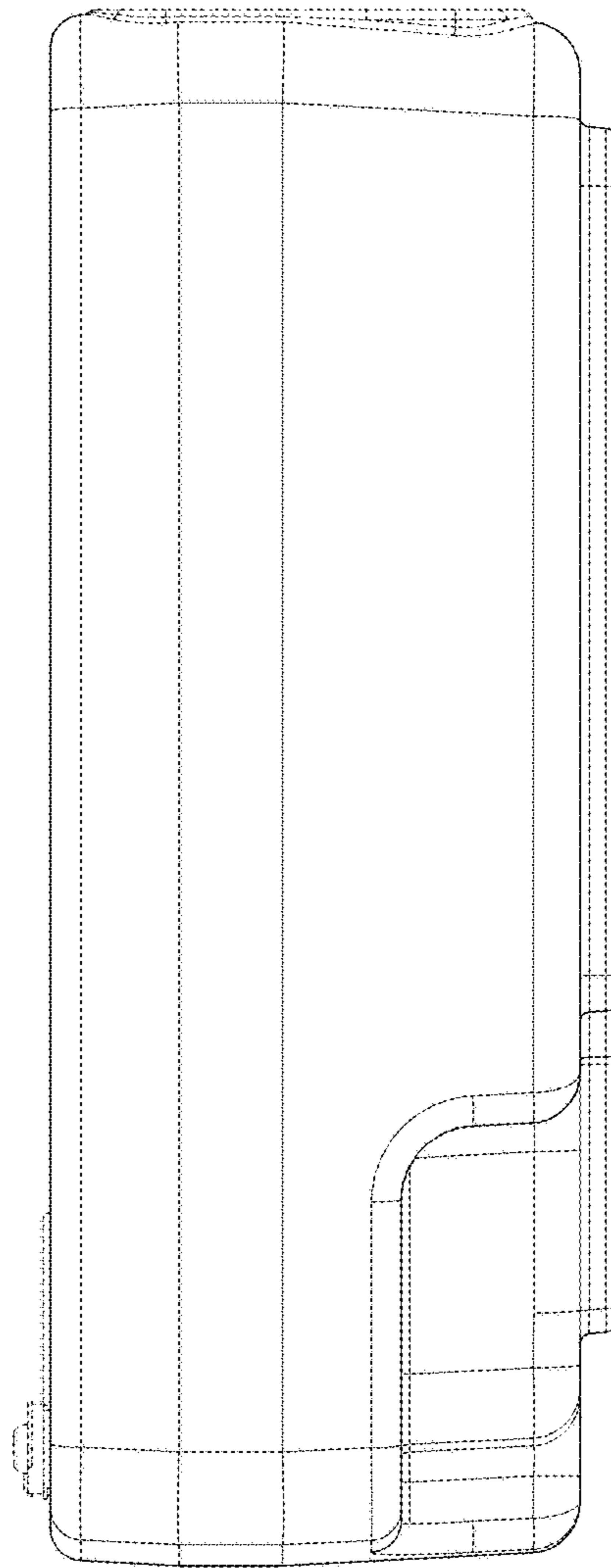




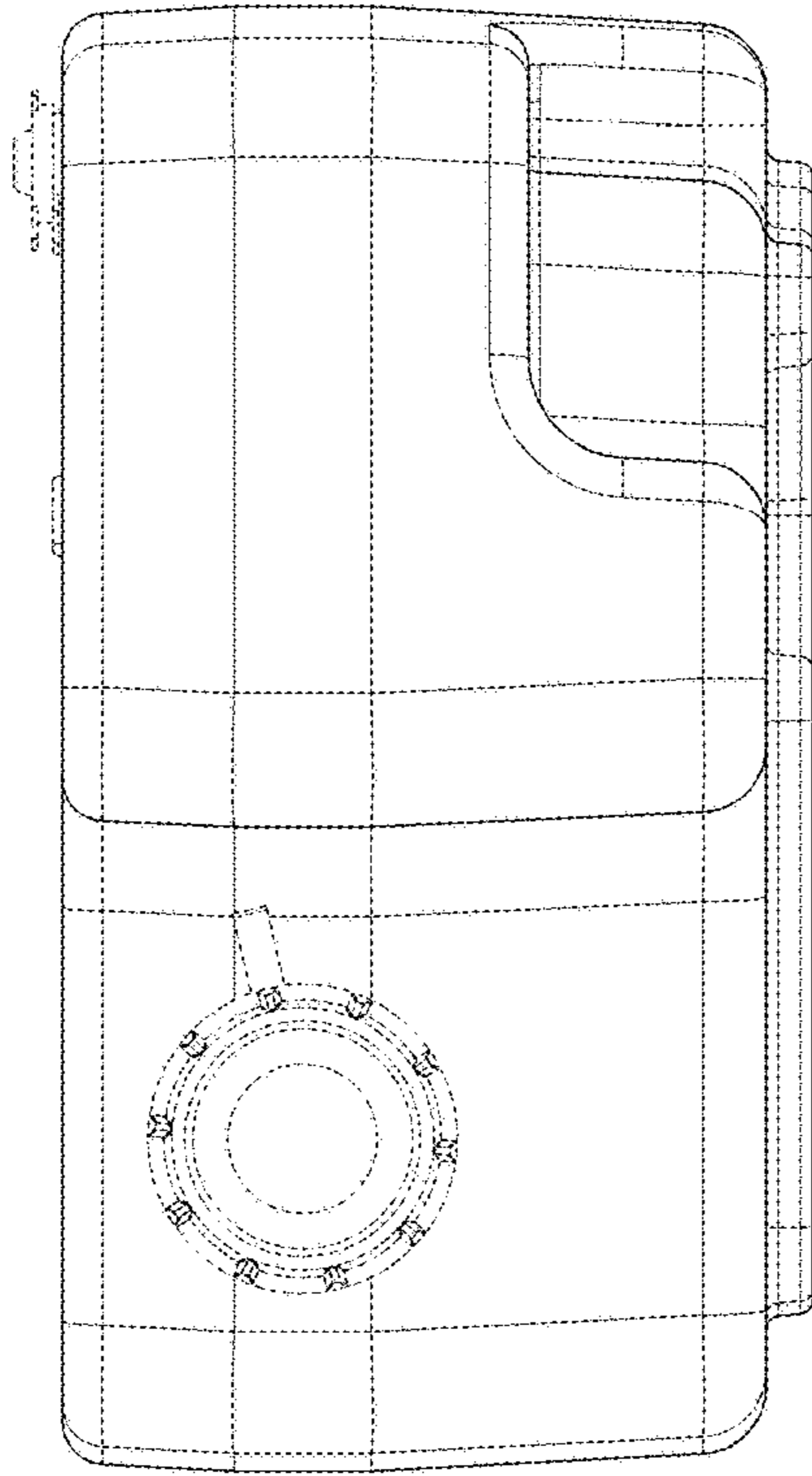
*Fig. 7.*



*Fig. 8.*



*Fig. 9.*



*Fig. 10.*

