



US00D855671S

(12) **United States Design Patent** (10) **Patent No.:** **US D855,671 S**  
**Norman et al.** (45) **Date of Patent:** **\*\* Aug. 6, 2019**

(54) **LUBRICATION DISPENSE VALVE**

(71) Applicant: **Graco Minnesota Inc.**, Minneapolis, MN (US)

(72) Inventors: **Shane A. Norman**, Oak Grove, MN (US); **Anthony J. Kuschel**, Coon Rapids, MN (US); **Joshua R. Holmstadt**, St. Michael, MN (US); **Bradley G. Kahler**, Otsego, MN (US)

5,487,418 A \* 1/1996 Reyes ..... B60K 15/0406  
 141/392  
 D428,903 S \* 8/2000 Kerr ..... D15/150  
 D495,615 S \* 9/2004 King ..... D10/96  
 7,055,384 B2 \* 6/2006 Williams ..... G01F 23/04  
 33/722  
 D537,458 S \* 2/2007 Breeser ..... D15/150  
 D541,323 S \* 4/2007 Tseng ..... D15/150  
 D568,351 S \* 5/2008 Giliberti ..... D15/151  
 D594,490 S \* 6/2009 Breeser ..... D15/150

(73) Assignee: **Graco Minnesota Inc.**, Minneapolis, MN (US)

(\*\*) Term: **15 Years**

(21) Appl. No.: **29/641,728**

(22) Filed: **Mar. 23, 2018**

(51) **LOC (12) Cl.** ..... **15-09**

(52) **U.S. Cl.**  
 USPC ..... **D15/150**

(58) **Field of Classification Search**  
 USPC ..... D15/9.1, 150, 151, 152  
 CPC ..... F16D 13/74; F16D 48/02; F16D 25/12;  
 F16D 25/14; F16D 25/123; F16D  
 25/0638; F16D 2048/0221; G01F 23/04  
 See application file for complete search history.

(56) **References Cited**

**U.S. PATENT DOCUMENTS**

1,987,649 A \* 1/1935 Wertz ..... F02B 77/04  
 134/111  
 1,990,524 A \* 2/1935 Bystricky ..... F16N 5/00  
 138/34  
 2,063,412 A \* 12/1936 Tear ..... F16N 3/12  
 222/256  
 D193,110 S \* 6/1962 McDonald ..... D15/9.1  
 D226,591 S \* 3/1973 Le Cheminant ..... D15/151  
 D357,392 S \* 4/1995 Kimpel ..... D15/150

**OTHER PUBLICATIONS**

Graco XD Series Electroni Meters Brochure, published Oct. 2015.  
 American Lubrication Equipment Corporation TIM-600 Pro Series  
 Digital Control Handle Parts Breakdown Chart, dated Feb. 2017.  
 American Lubrication Equipment Corporation Metered Control  
 Handles webpage printed May 10, 2018 (another view of Non  
 Patent Literature #2).  
 Alemite Electronic Meter Flyer, dated Oct. 2005.  
 Piusi USA Fuel & Oil Solutions Catalog, oil nozzles depicted on p.  
 26 and 27 dated Aug. 2017

\* cited by examiner

*Primary Examiner* — Patricia A Palasik

(74) *Attorney, Agent, or Firm* — Kyle B. Liudahl

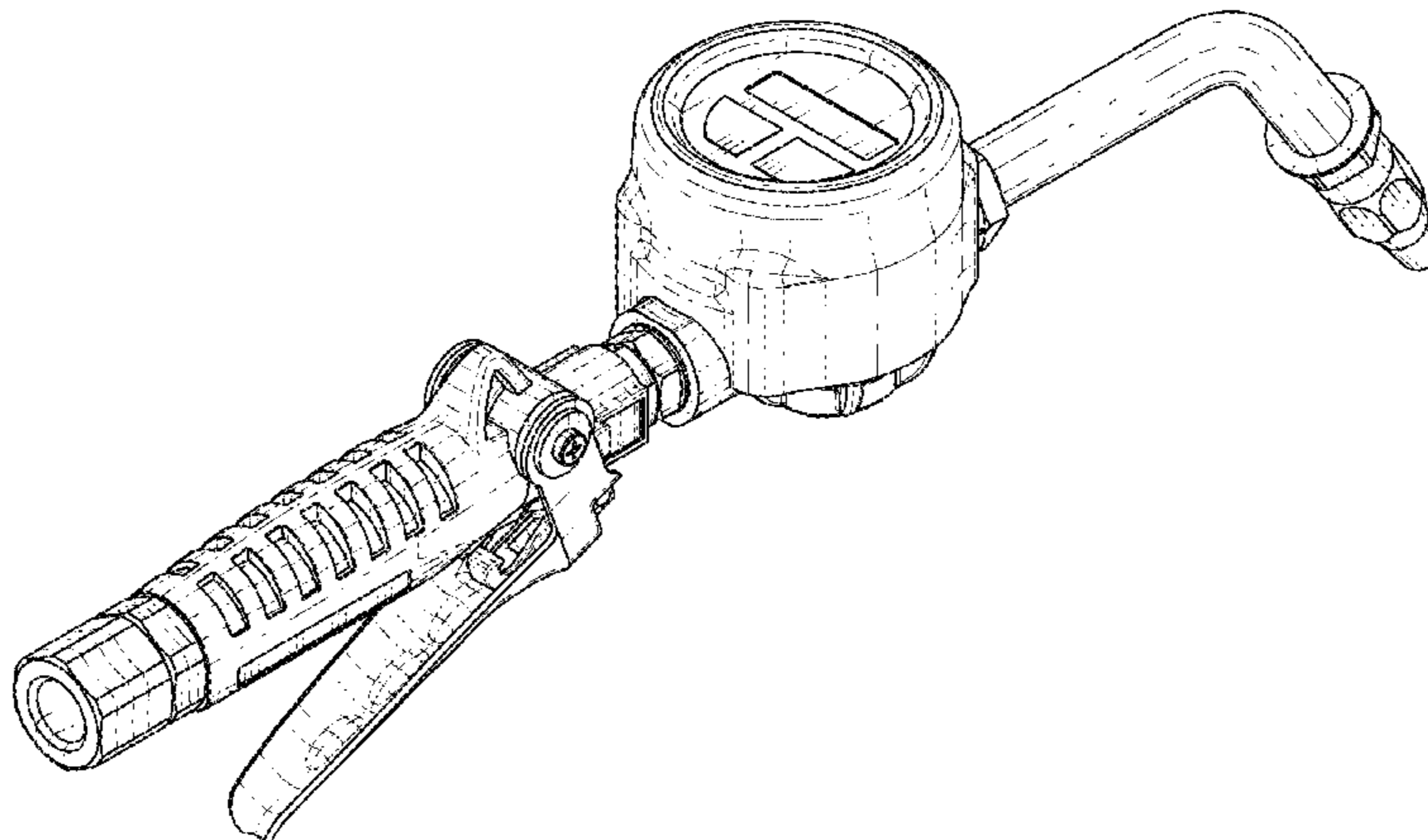
(57) **CLAIM**

The ornamental design for a lubrication dispense valve, as shown and described.

**DESCRIPTION**

FIG. 1 is a isometric view of a lubrication dispense valve;  
 FIG. 2 is a isometric view of the bottom.  
 FIG. 3 is a left side view thereof,  
 FIG. 4 is a right side view thereof;  
 FIG. 5 is a bottom view thereof;  
 FIG. 6 is a top view thereof;  
 FIG. 7 is a rear view thereof; and,  
 FIG. 8 is a front view of a lubrication dispense valve.

**1 Claim, 6 Drawing Sheets**



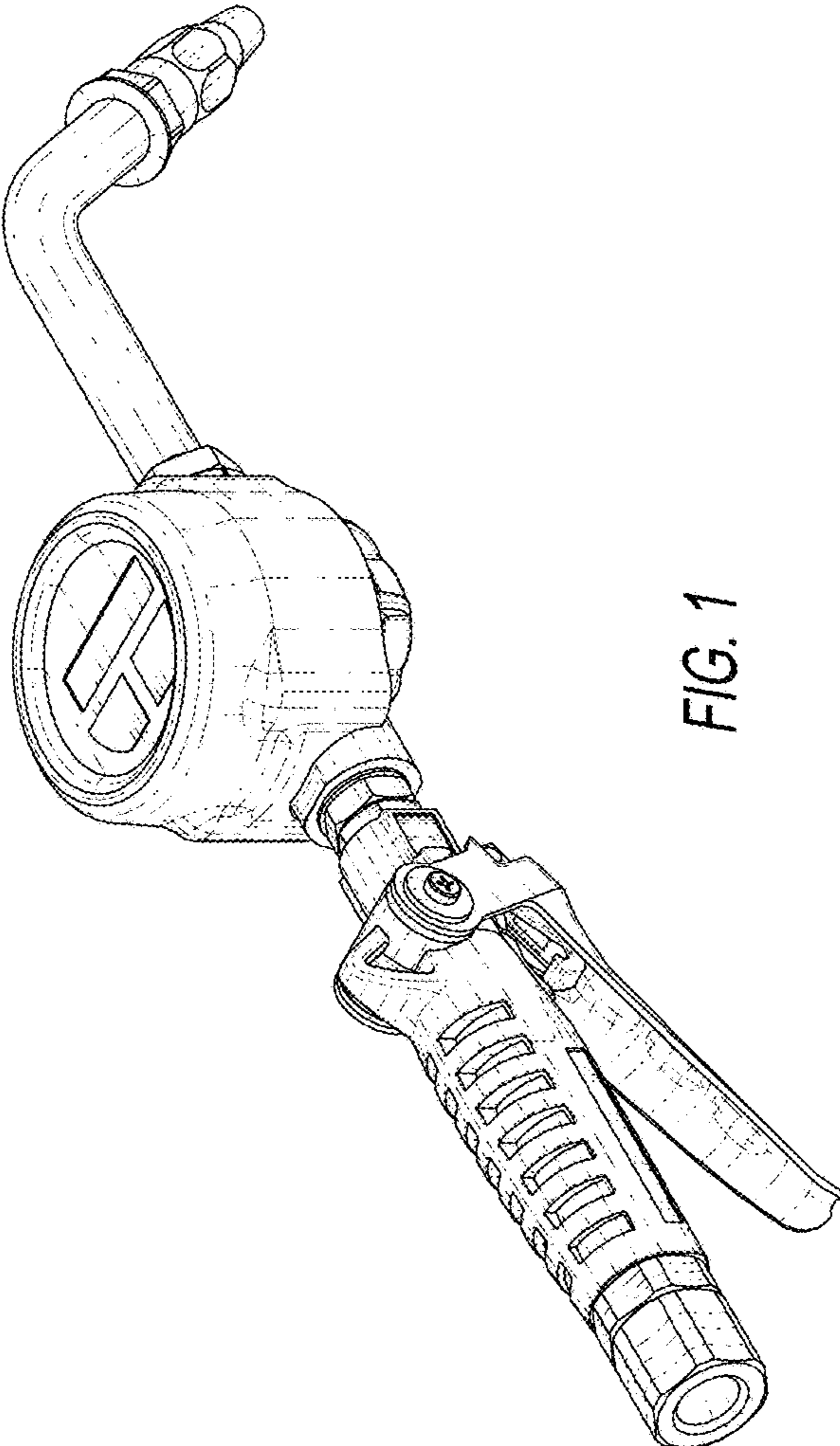


FIG. 1

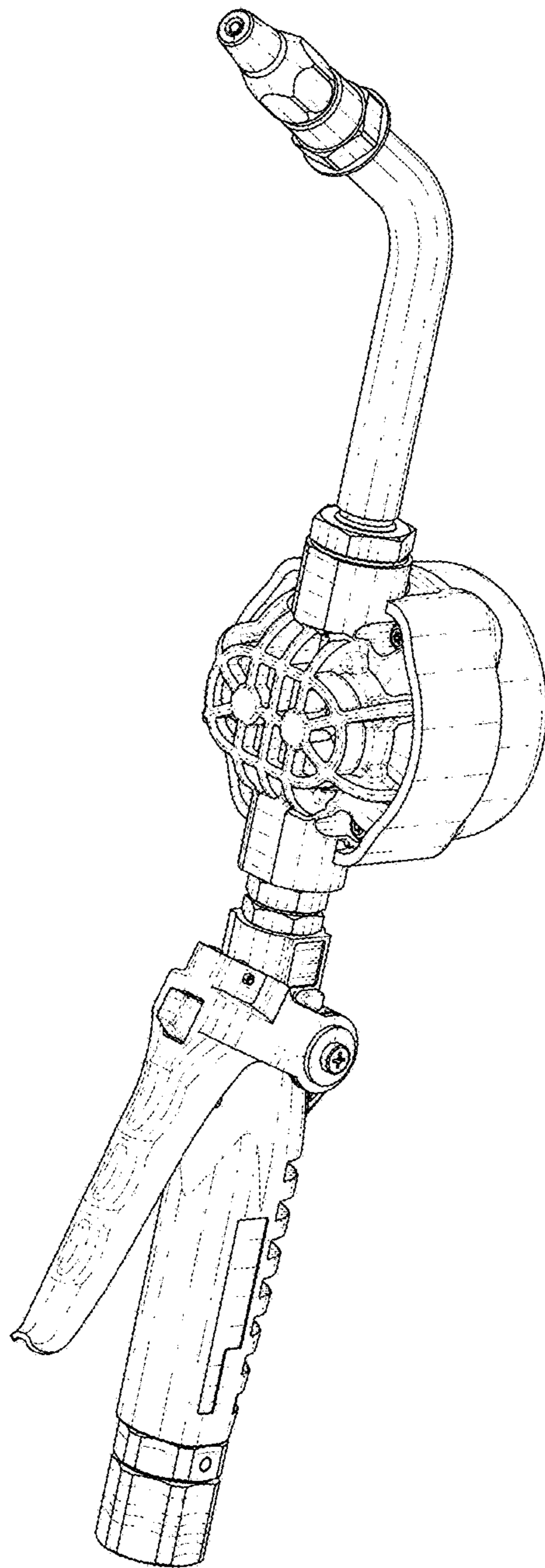


FIG. 2

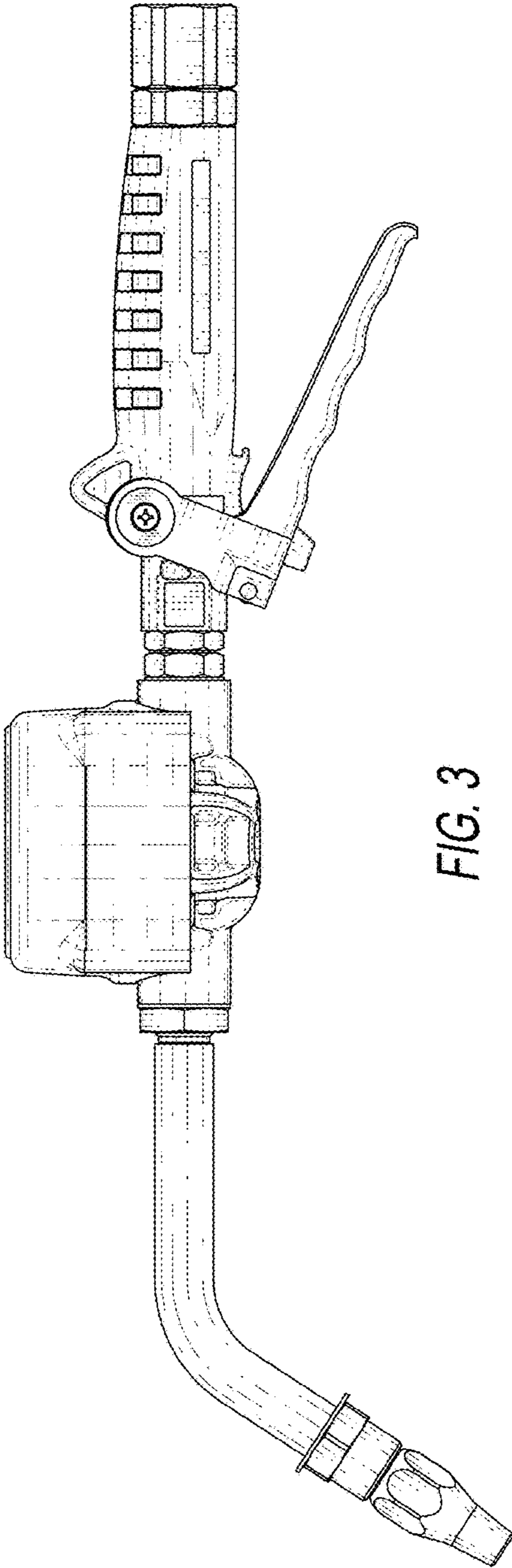


FIG. 3

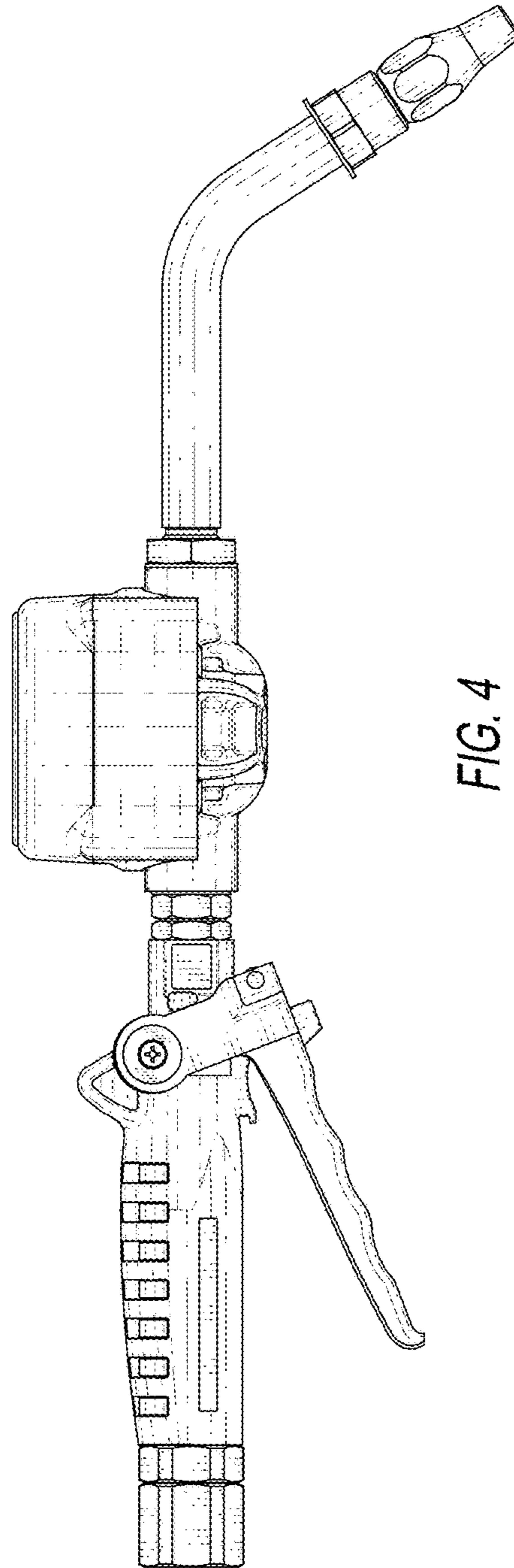


FIG. 4

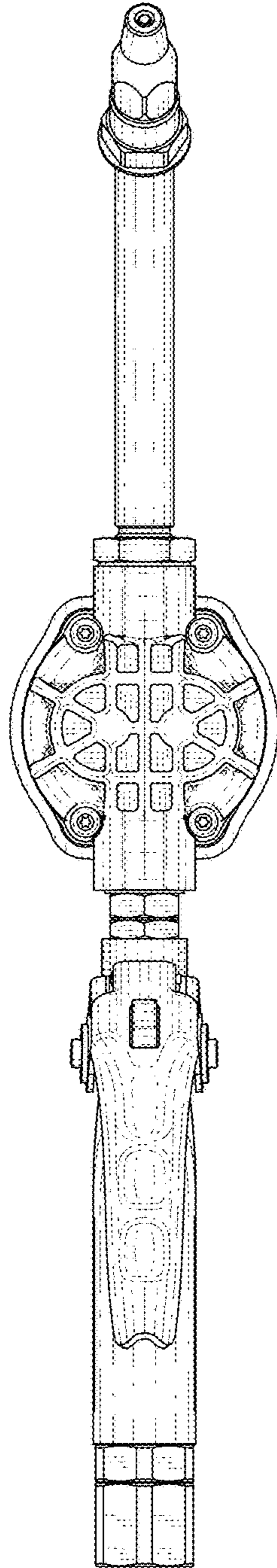


FIG. 5

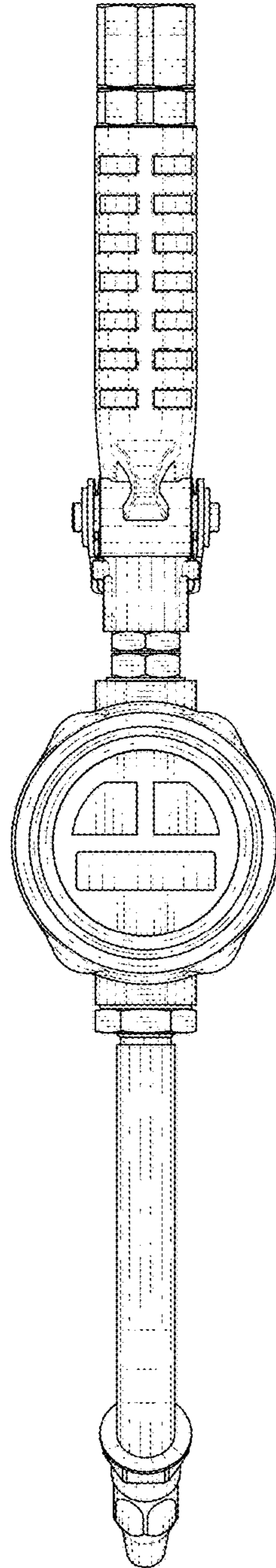


FIG. 6

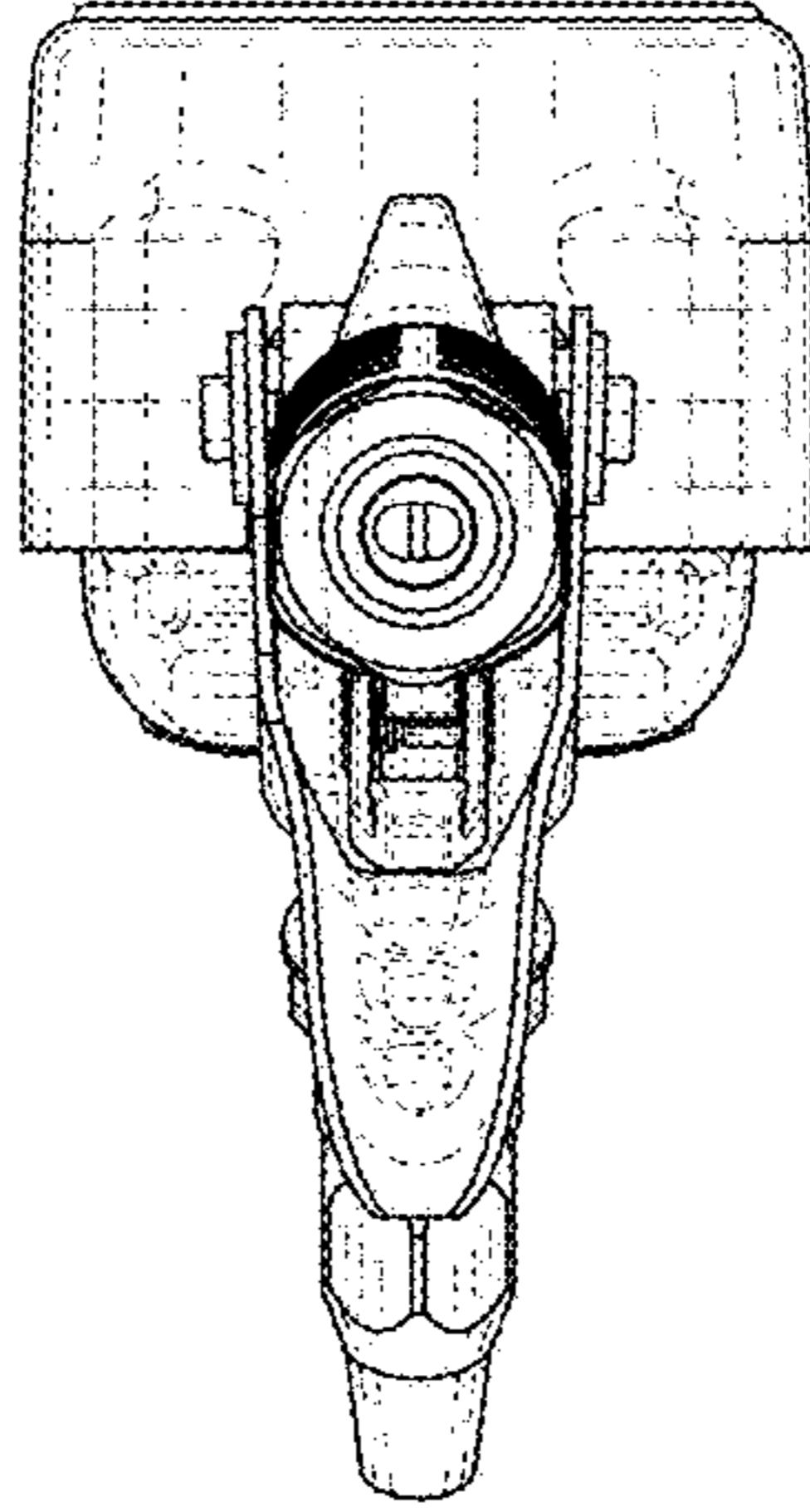


FIG. 7

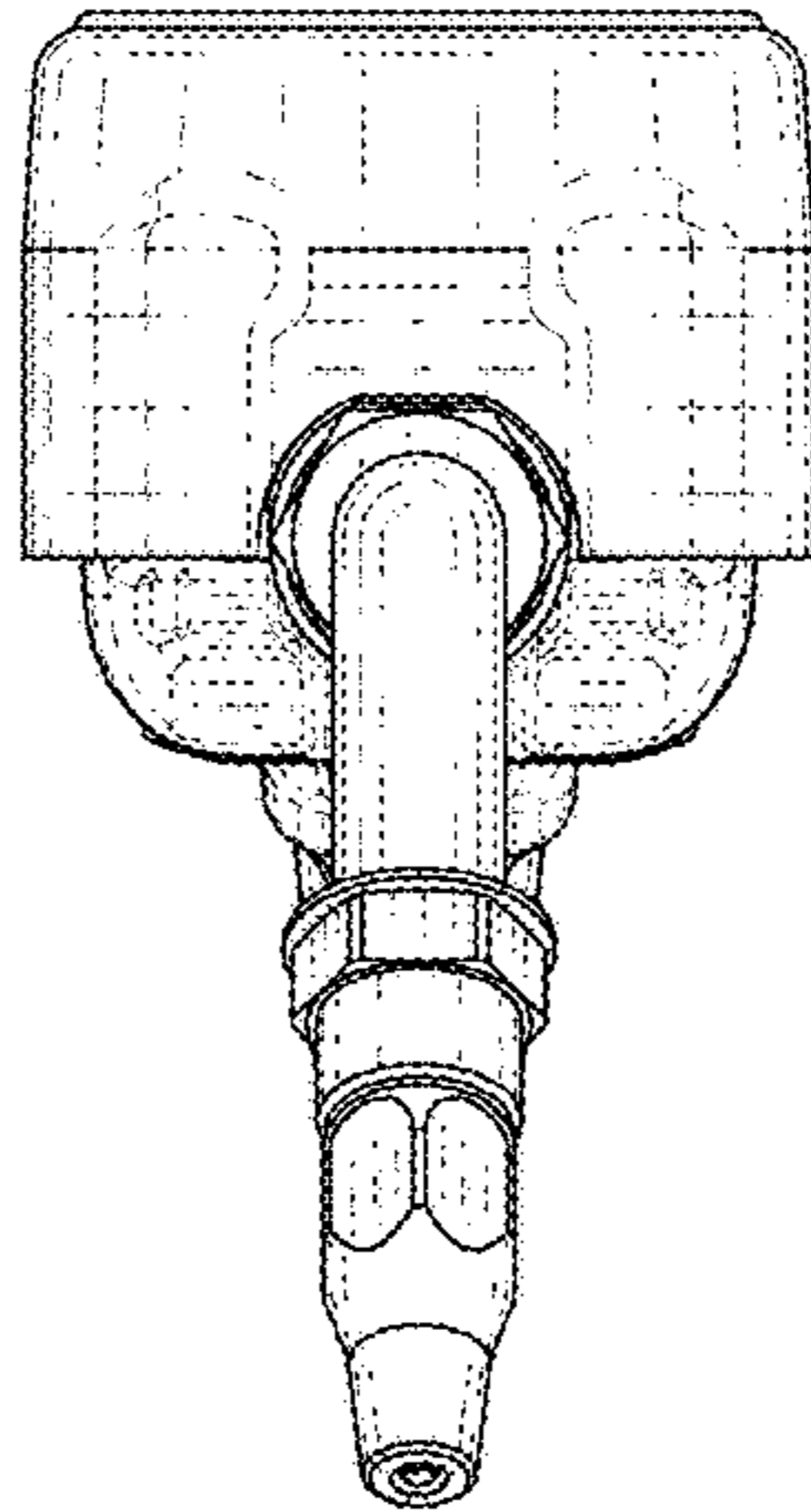


FIG. 8