



US00D855670S

(12) **United States Design Patent**
Zhuang

(10) **Patent No.:** **US D855,670 S**

(45) **Date of Patent:** **** Aug. 6, 2019**

(54) **LINEAR ACTUATOR**

(71) Applicant: **TIMOTION TECHNOLOGY CO., LTD.**, New Taipei (TW)

(72) Inventor: **Bing-Sen Zhuang**, New Taipei (TW)

(73) Assignee: **TIMOTION TECHNOLOGY CO., LTD.**, New Taipei (TW)

(**) Term: **15 Years**

(21) Appl. No.: **29/656,950**

(22) Filed: **Jul. 17, 2018**

(51) **LOC (12) Cl.** **15-09**

(52) **U.S. Cl.**
USPC **D15/148**

(58) **Field of Classification Search**
USPC 12/345; 13/118, 158, 162, 184; 15/1-5,
15/7, 9, 143, 148, 149, 199
CPC B66F 3/18; F16H 19/04; F16H 57/039;
H01F 7/066
See application file for complete search history.

(56) **References Cited**

U.S. PATENT DOCUMENTS

D523,880 S *	6/2006	Christensen	D15/143
D589,543 S *	3/2009	Lin	D15/143
D596,653 S *	7/2009	Fukano	D15/143
D621,860 S *	8/2010	Fukano	D13/107
D635,600 S *	4/2011	Wu	D15/143
D665,433 S *	8/2012	Beam	D15/143
D695,798 S *	12/2013	Wu	D15/143
D727,714 S *	4/2015	Gherlenda	D8/331
D776,728 S *	1/2017	Wu	D15/143
D776,729 S *	1/2017	Wu	D15/143
D778,968 S *	2/2017	Luck	D15/143
D792,491 S *	7/2017	Lin	D15/143

D800,195 S *	10/2017	Lin	D15/148
D806,151 S *	12/2017	Landerholm	D15/143
D809,038 S *	1/2018	Zhuang	D15/148
D839,937 S *	2/2019	Zhuang	D15/143
D844,038 S *	3/2019	Alfano	D15/148
2002/0134180 A1 *	9/2002	Gorin	F16H 25/2015 74/89.37
2004/0093969 A1 *	5/2004	Nielsen	A47C 20/041 74/89.23
2007/0169578 A1 *	7/2007	Christensen	F16H 25/2021 74/89.37
2008/0184828 A1 *	8/2008	Chen	F16H 25/20 74/25
2018/0187759 A1 *	7/2018	Smith	H02P 7/00

* cited by examiner

Primary Examiner — Patricia A Palasik

(74) *Attorney, Agent, or Firm* — Chun-Ming Shih; HDLS IPR Services

(57) **CLAIM**

The ornamental design for a linear actuator, as shown and described.

DESCRIPTION

FIG. 1 is a perspective view of a linear actuator showing my new design;

FIG. 2 is a front view thereof;

FIG. 3 is a rear view thereof;

FIG. 4 is a left side view thereof;

FIG. 5 is a right side view thereof;

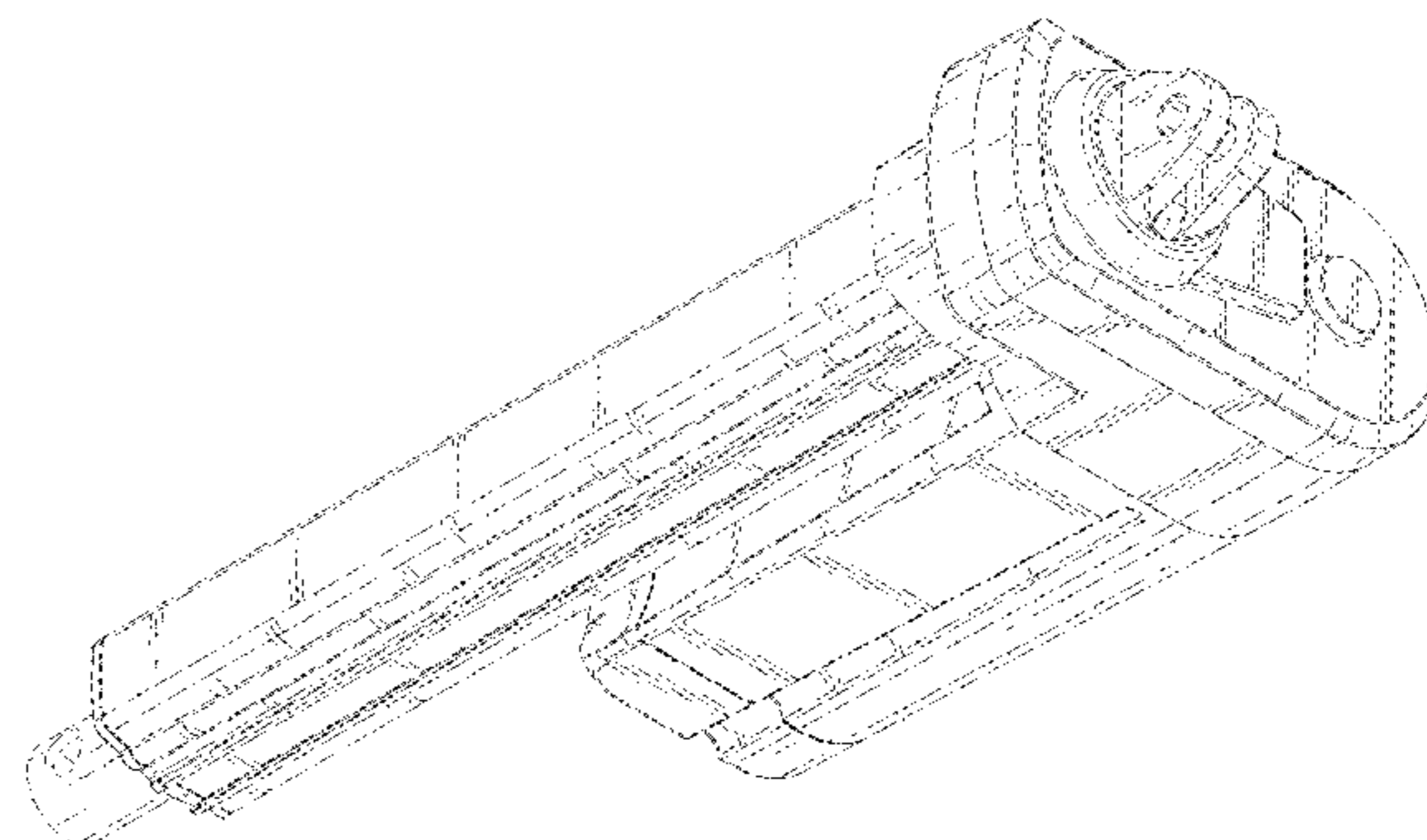
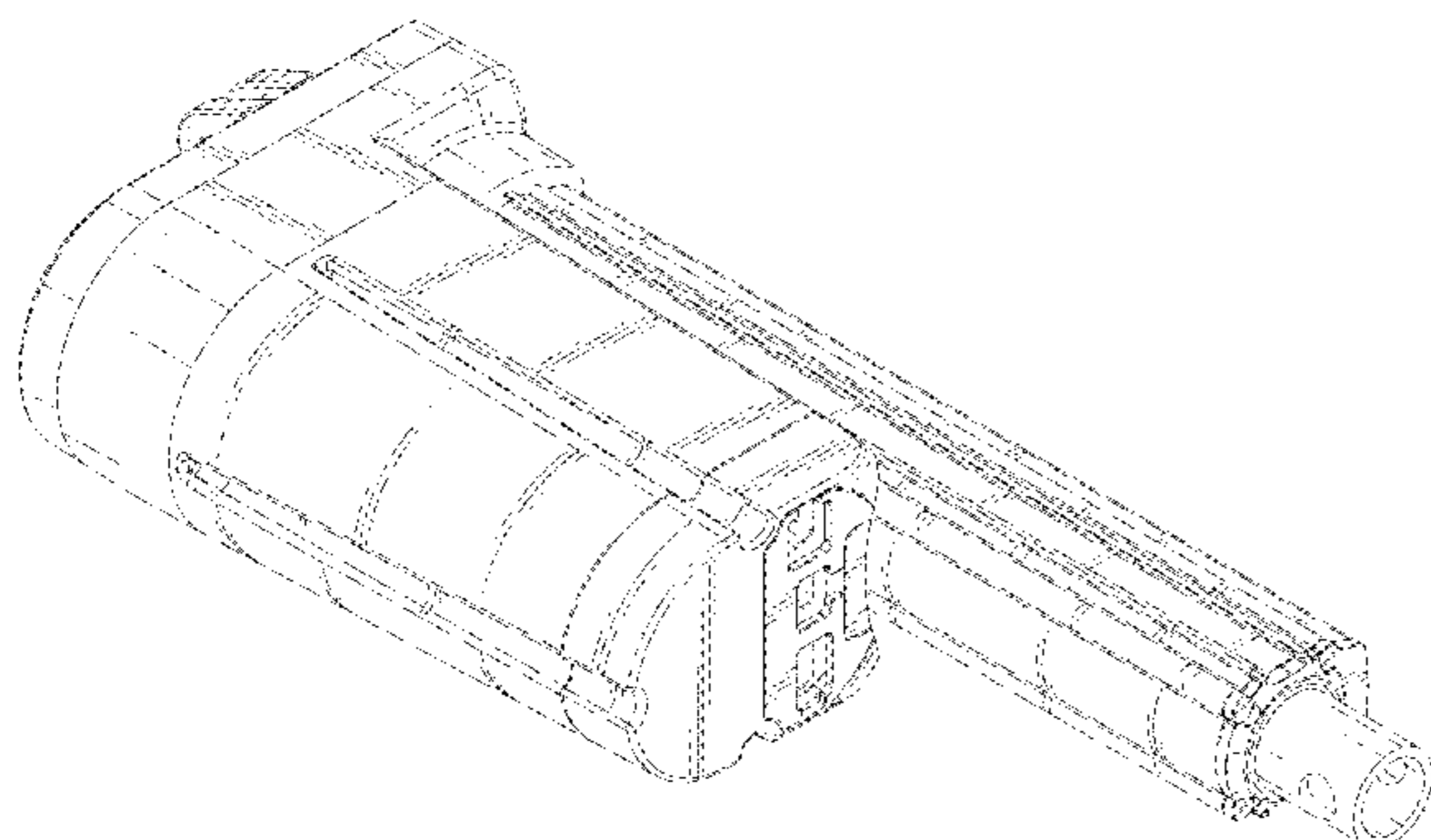
FIG. 6 is a top view thereof;

FIG. 7 is a bottom view thereof; and,

FIG. 8 is second perspective view showing the linear actuator.

The broken lines in the drawings depict portions of the linear actuator which form no part of the claimed design.

1 Claim, 8 Drawing Sheets



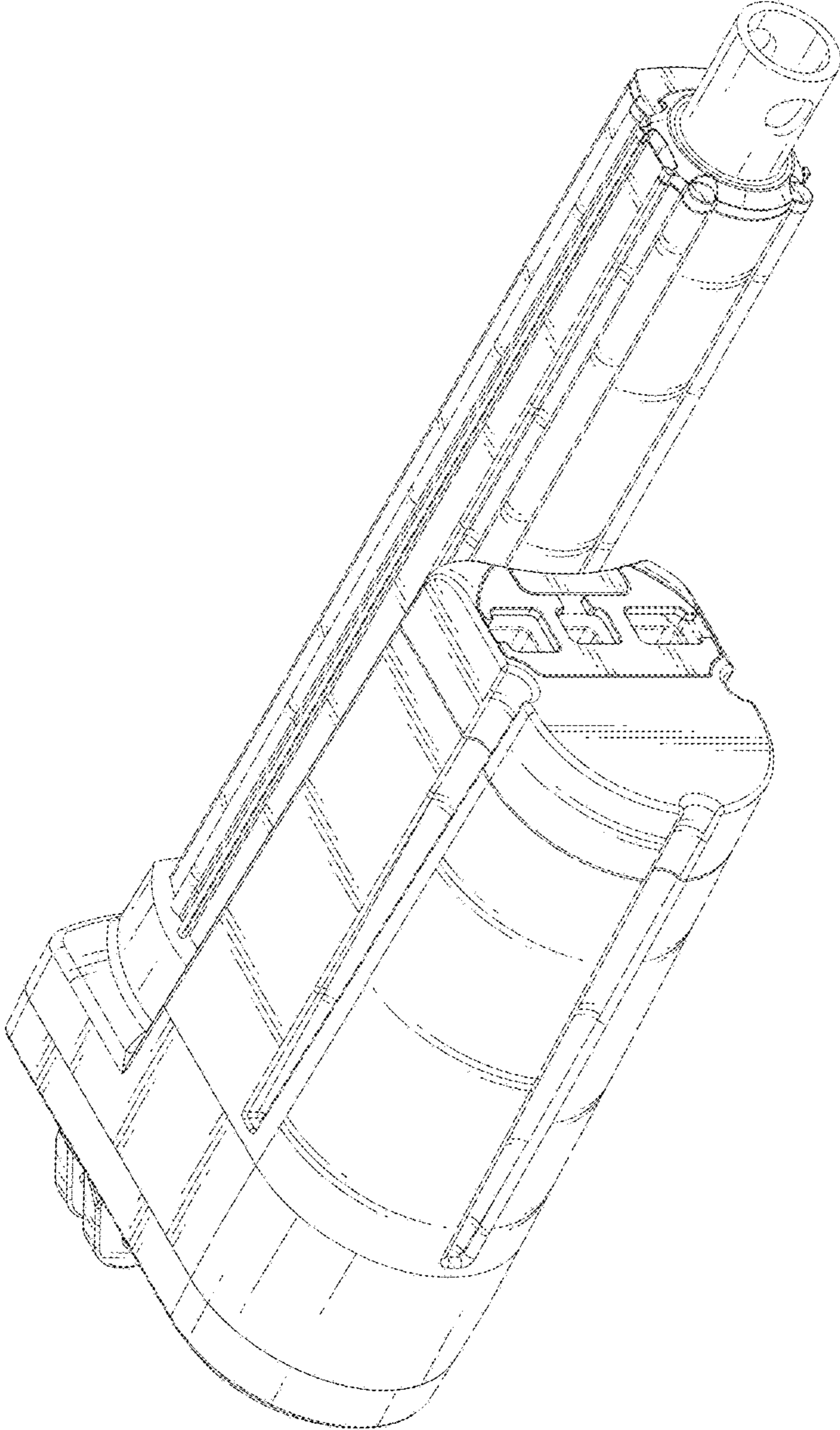


FIG.1

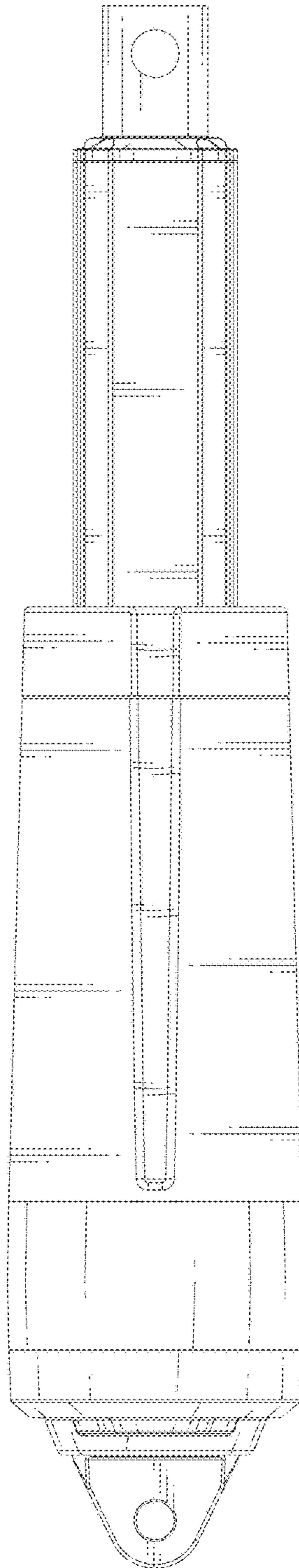


FIG.2

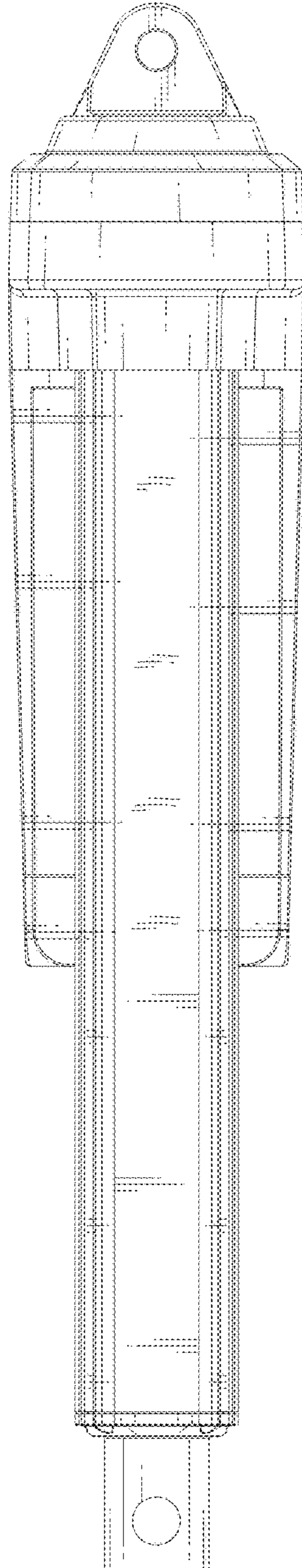


FIG.3

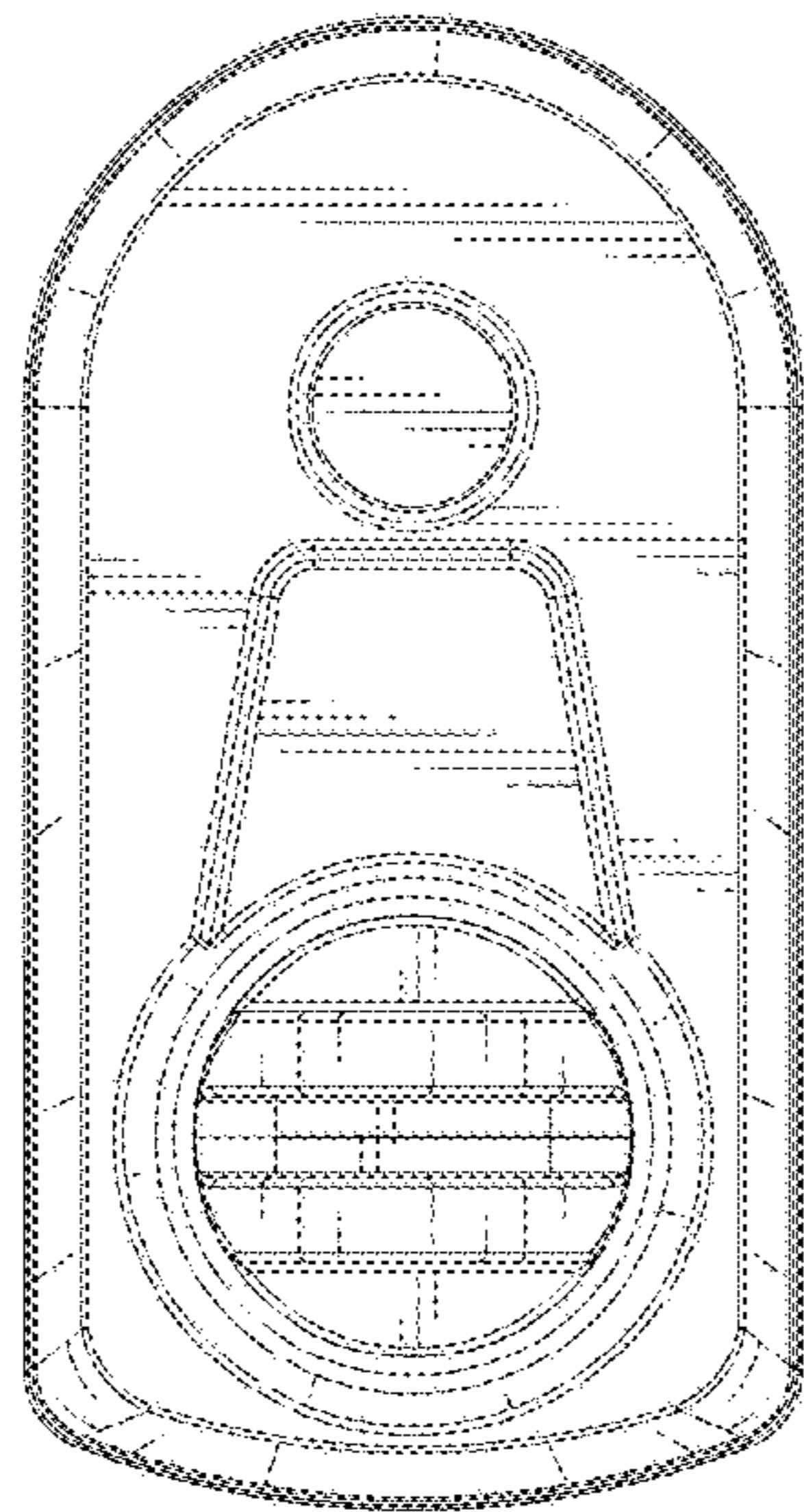


FIG.4

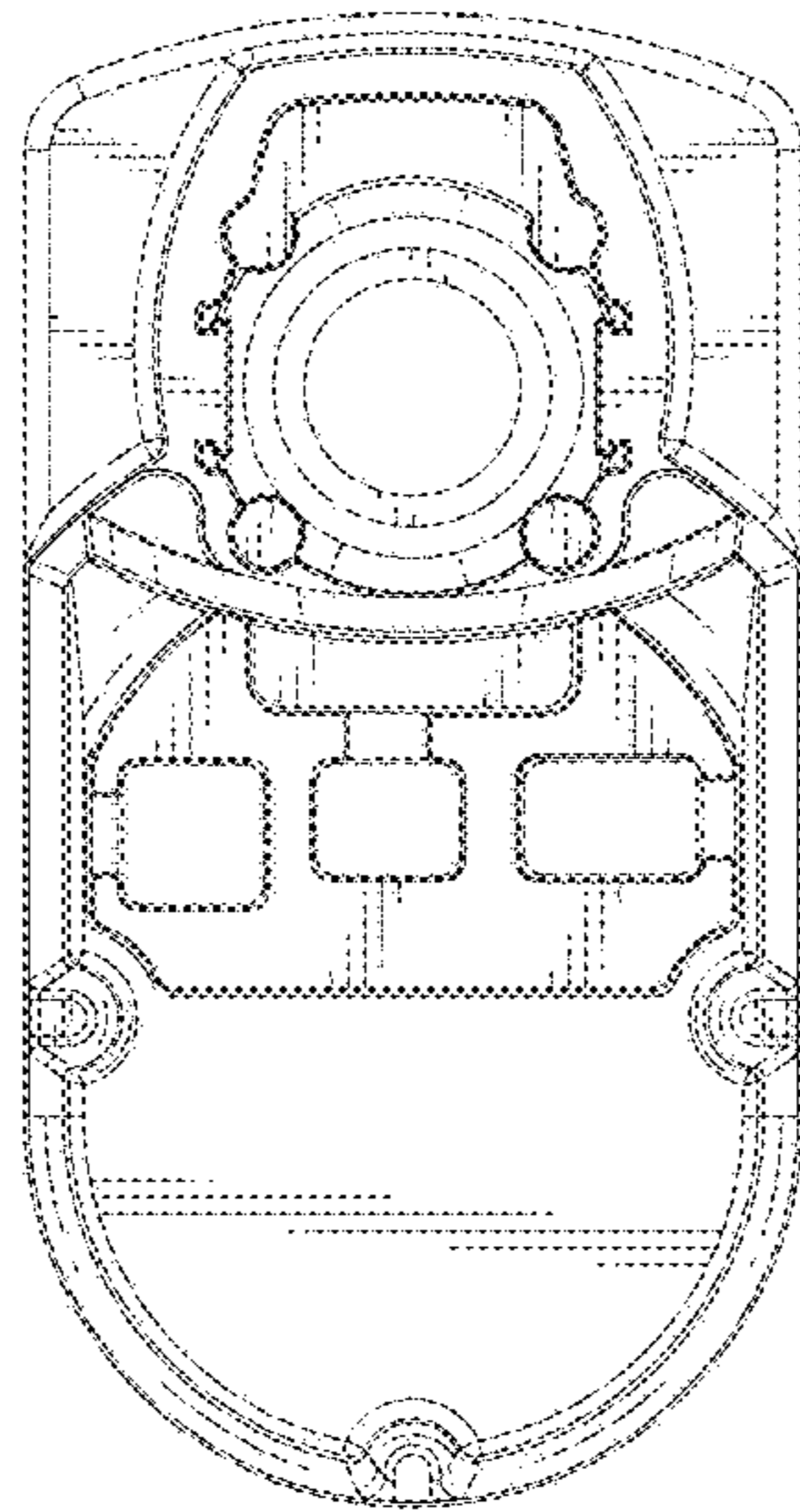


FIG. 5

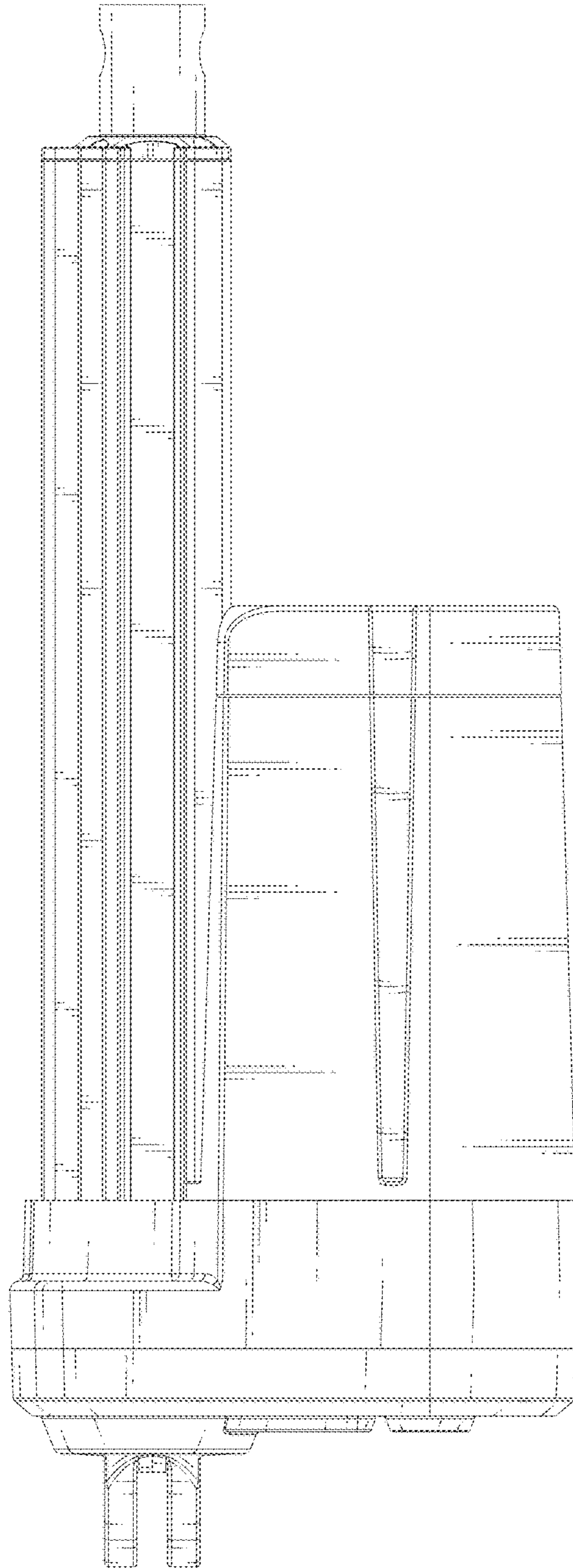


FIG. 6

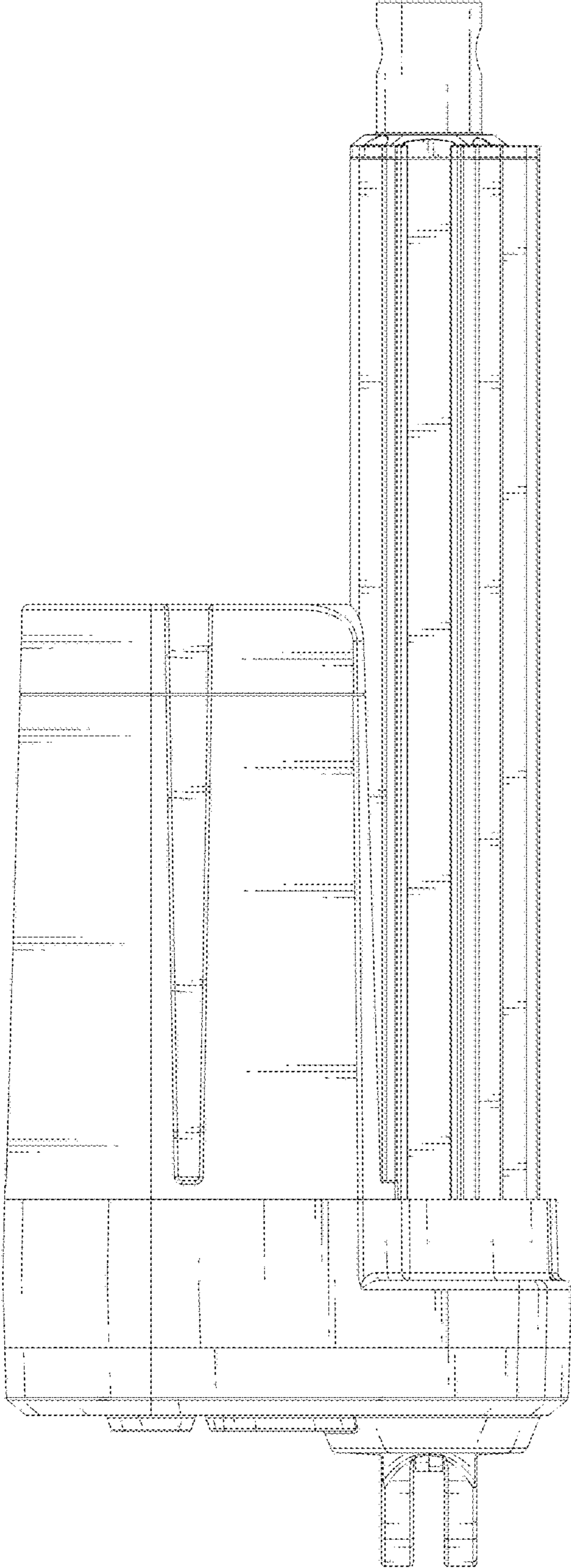


FIG. 7

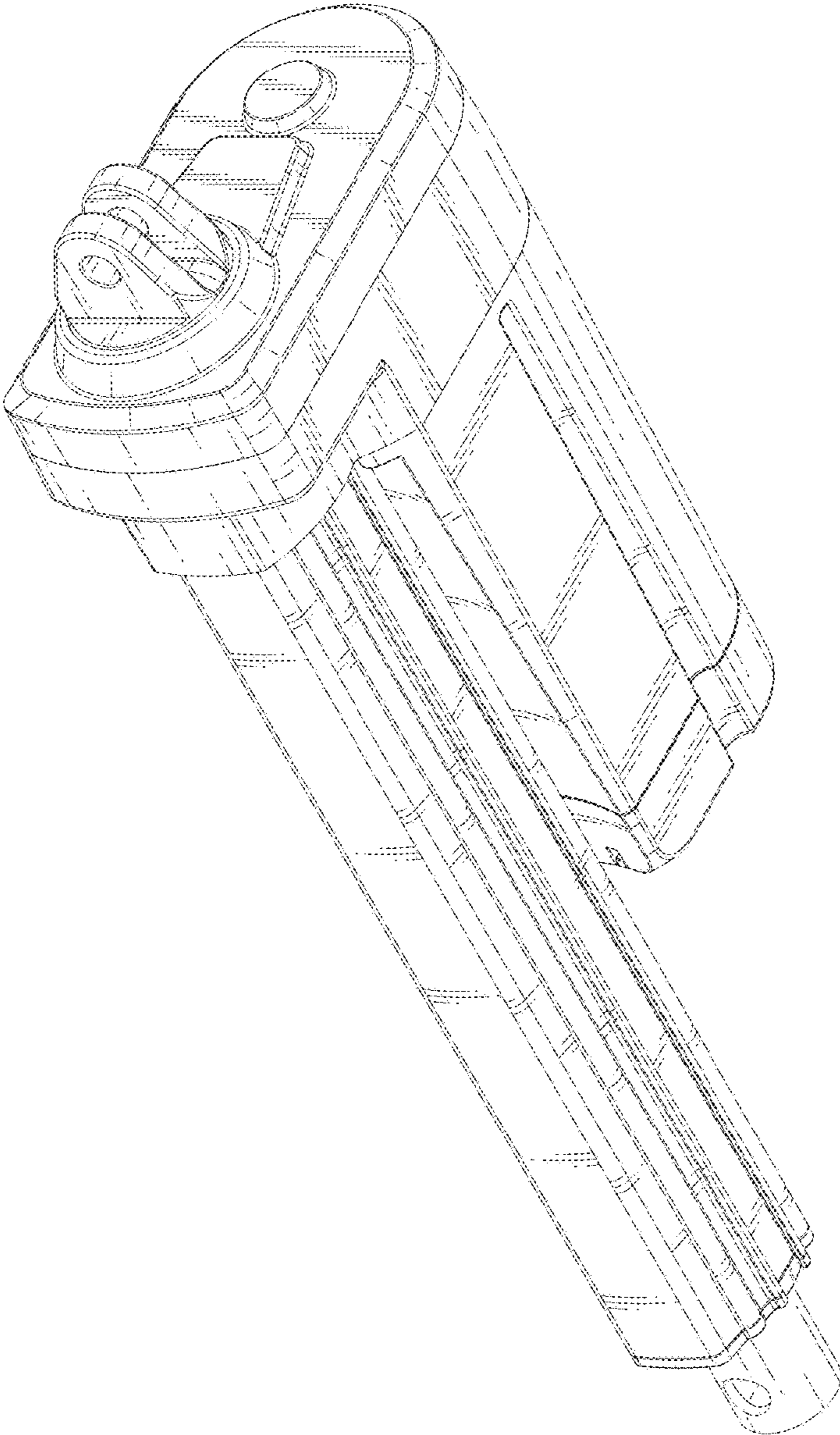


FIG. 8