



US00D855669S

(12) **United States Design Patent** (10) **Patent No.:** **US D855,669 S**
Ebner (45) **Date of Patent:** **** Aug. 6, 2019**

(54) **GEARBOX**

(71) Applicant: **Wittenstein SE**, Igersheim (DE)
(72) Inventor: **Siegfried Ebner**, Zell am See (AT)
(73) Assignee: **Wittenstein SE**, Igersheim (DE)
(**) Term: **15 Years**
(21) Appl. No.: **29/619,754**
(22) Filed: **Oct. 2, 2017**
(51) **LOC (12) Cl.** **15-09**
(52) **U.S. Cl.**
USPC **D15/148**
(58) **Field of Classification Search**
USPC D15/5-7, 148
CPC F16D 41/07; F16D 41/061-064; F16D 41/066; F16D 41/067; F16D 41/105; F16H 1/28; F16H 1/46; F16H 49/001; F16H 57/029; F16H 57/033; F16H 57/082; F16H 57/0482
See application file for complete search history.

(56) **References Cited**

U.S. PATENT DOCUMENTS

D56,926 S *	1/1921	Humphrey	D23/263
D269,014 S	5/1983	Tumidajewicz et al.		
D370,964 S *	6/1996	Horvath	D23/262
D479,541 S *	9/2003	Lannoch	D15/148
D479,542 S *	9/2003	Lannoch	D15/148
D497,374 S *	10/2004	Wittenstein	D15/148
D514,607 S *	2/2006	Wittenstein	D15/148
D520,040 S	5/2006	Müller et al.		
D529,939 S *	10/2006	Wilhelm	D15/148

(Continued)

FOREIGN PATENT DOCUMENTS

EM	000175500-0003	5/2004
EM	00070181-0002	3/2007

(Continued)

OTHER PUBLICATIONS

Taiwanese notice of allowance for patent application No. 106304867 dated Nov. 20, 2017.

(Continued)

Primary Examiner — Patricia A Palasik

(74) *Attorney, Agent, or Firm* — Bachman & LaPointe, PC

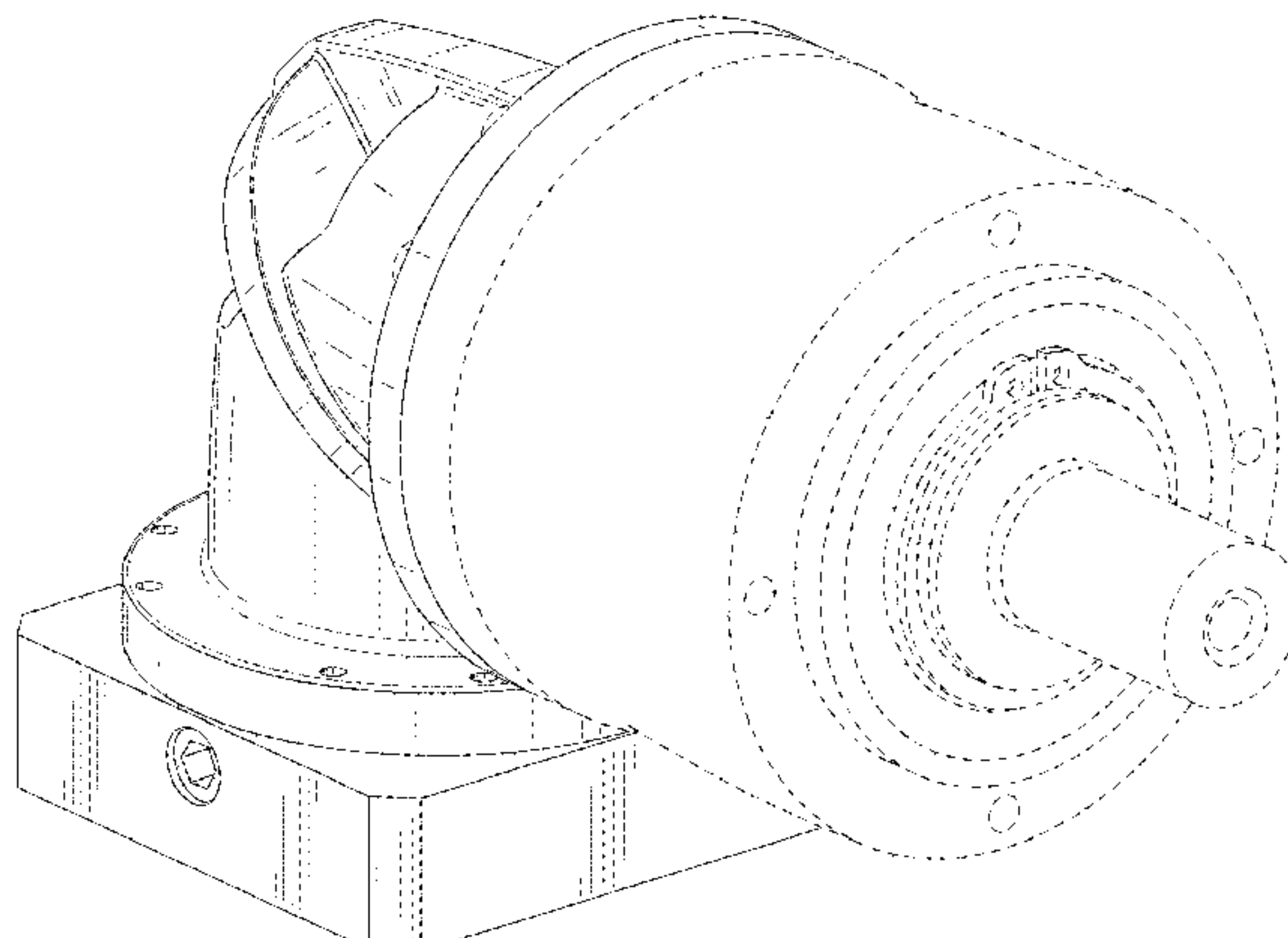
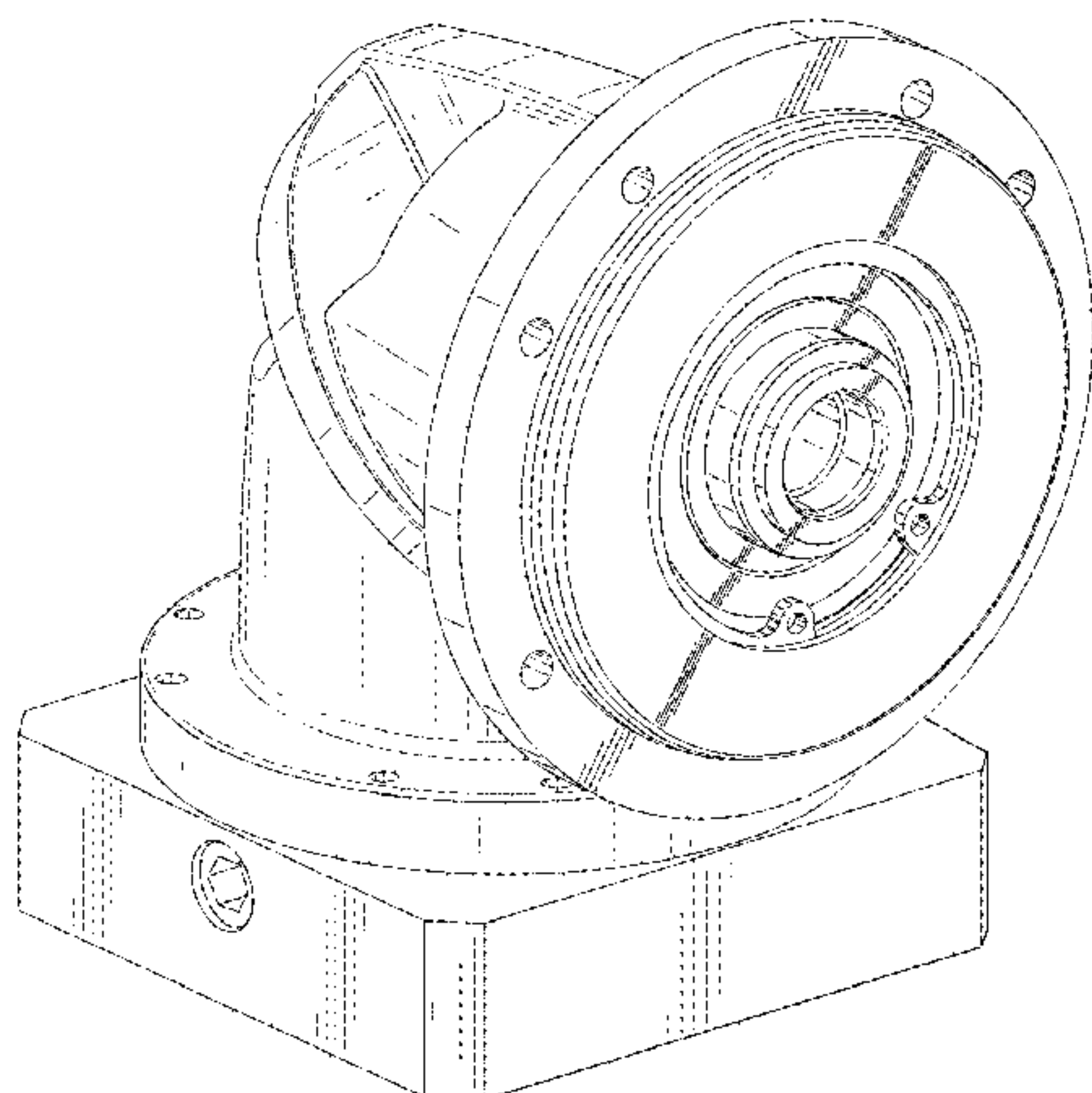
(57) **CLAIM**

The ornamental design of a gearbox, as shown.

DESCRIPTION

FIG. 1 is a side view illustrating the ornamental features of a gearbox according to the invention; FIG. 2 is a front view of the gearbox of FIG. 1; FIG. 3 is a bottom view of the gearbox of FIG. 1; FIG. 4 is a reverse side view of the gearbox of FIG. 1; FIG. 5 is a front perspective view of the gearbox of FIG. 1; FIG. 6 is a rear view of the gearbox of FIG. 1; FIG. 7 is a top view of the gearbox of FIG. 1; FIG. 8 is a rear perspective view of the gearbox of FIG. 1; FIG. 9 is a side view illustrating the ornamental features of the gearbox of FIG. 1; FIG. 10 is a front view of the gearbox of FIG. 1; FIG. 11 is a bottom view of the gearbox of FIG. 1; FIG. 12 is a reverse side view of the gearbox of FIG. 1; FIG. 13 is a front perspective view of the gearbox of FIG. 1; FIG. 14 is a rear view of the gearbox of FIG. 1; FIG. 15 is a top view of the gearbox of FIG. 1; and, FIG. 16 is a rear perspective view of the gearbox of FIG. 1. The broken lines shown in FIGS. 9-16 show unclaimed environment of the claimed design.

1 Claim, 16 Drawing Sheets



(56)

References Cited

U.S. PATENT DOCUMENTS

D533,204 S * 12/2006 Kinoshita D15/149
 D549,259 S * 8/2007 Wittenstein
 D598,938 S * 8/2009 Mijno D15/148
 D618,262 S * 6/2010 Siegfried D15/148
 D618,263 S * 6/2010 Siegfried D15/148
 D619,631 S * 7/2010 Otsuka D15/149
 D634,818 S * 3/2011 Leroyer D23/263
 D638,454 S * 5/2011 Torii D15/143
 D673,196 S * 12/2012 von Hafen D15/148
 D676,941 S * 2/2013 Kluss D23/262
 D683,775 S * 6/2013 Farrenkopf D15/148
 D703,253 S * 4/2014 Lannoch D15/148
 D704,756 S * 5/2014 Voelker D15/148
 8,950,565 B2 * 2/2015 Adams F16D 41/10
 192/12 B
 D770,551 S * 11/2016 Heilemann D15/148
 D771,729 S * 11/2016 Heilemann D15/148
 D777,815 S * 1/2017 Ebner D15/148
 D807,936 S * 1/2018 He D15/199
 2004/0166986 A1 * 8/2004 Bayer F16H 1/28
 475/331
 2006/0096412 A1 * 5/2006 Wittenstein F16H 1/28
 74/606 R

2011/0232411 A1* 9/2011 Long B25J 17/0258
 74/490.05
 2012/0085191 A1* 4/2012 Long B25J 9/102
 74/423
 2013/0118286 A1* 5/2013 Long B25J 17/0283
 74/490.01
 2013/0125696 A1* 5/2013 Long B25J 18/04
 74/490.05
 2013/0145891 A1* 6/2013 Long B25J 18/00
 74/490.02
 2016/0061367 A1* 3/2016 Smith F16L 25/00
 285/179.1

FOREIGN PATENT DOCUMENTS

JP	D1329268	5/2008
TW	362948	8/1986
TW	128528	9/1986
TW	372826	9/1987

OTHER PUBLICATIONS

Taiwanese notice of allowance for patent application No. 106304868 dated Nov. 20, 2017.

* cited by examiner

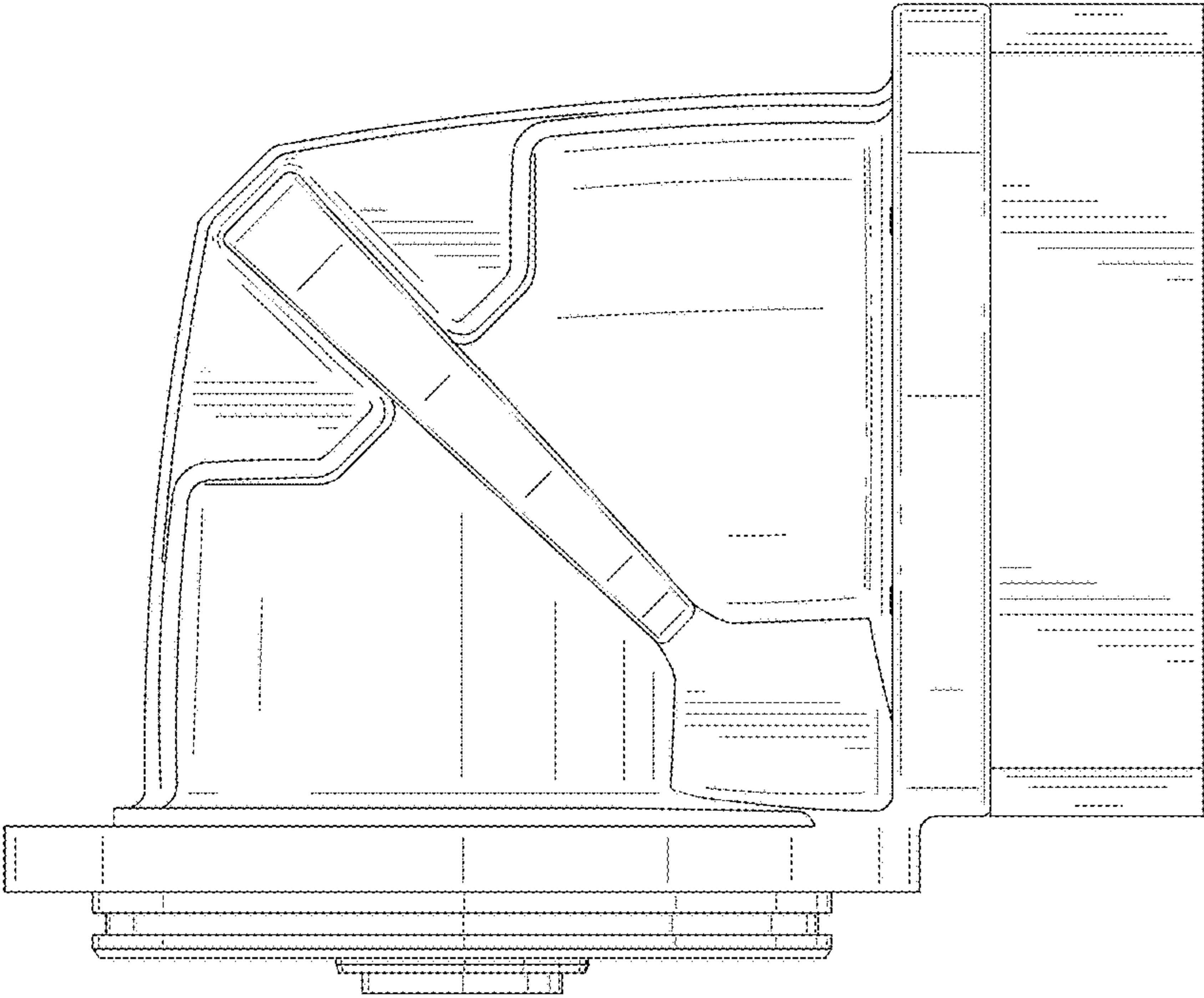


FIG. 1

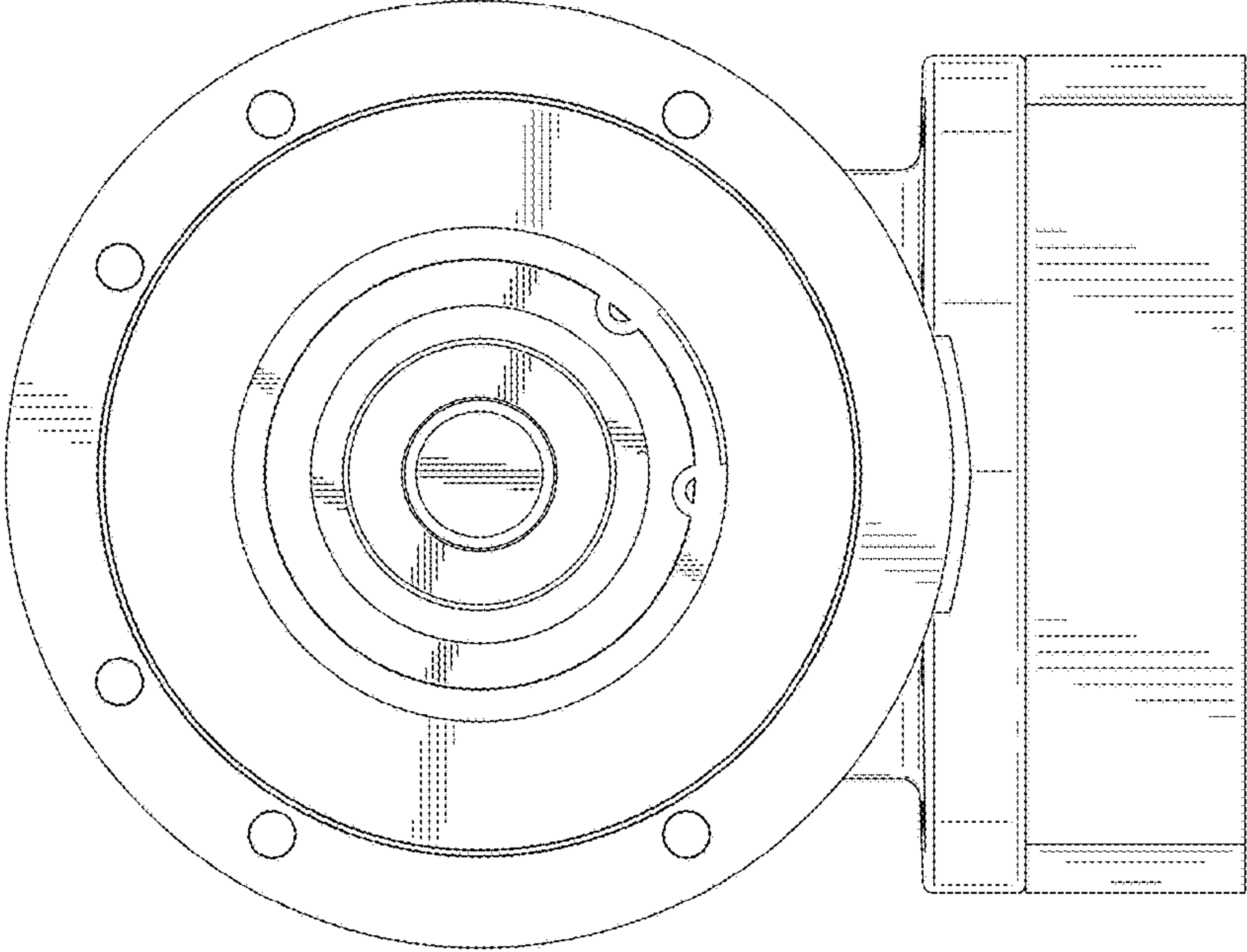


FIG. 2

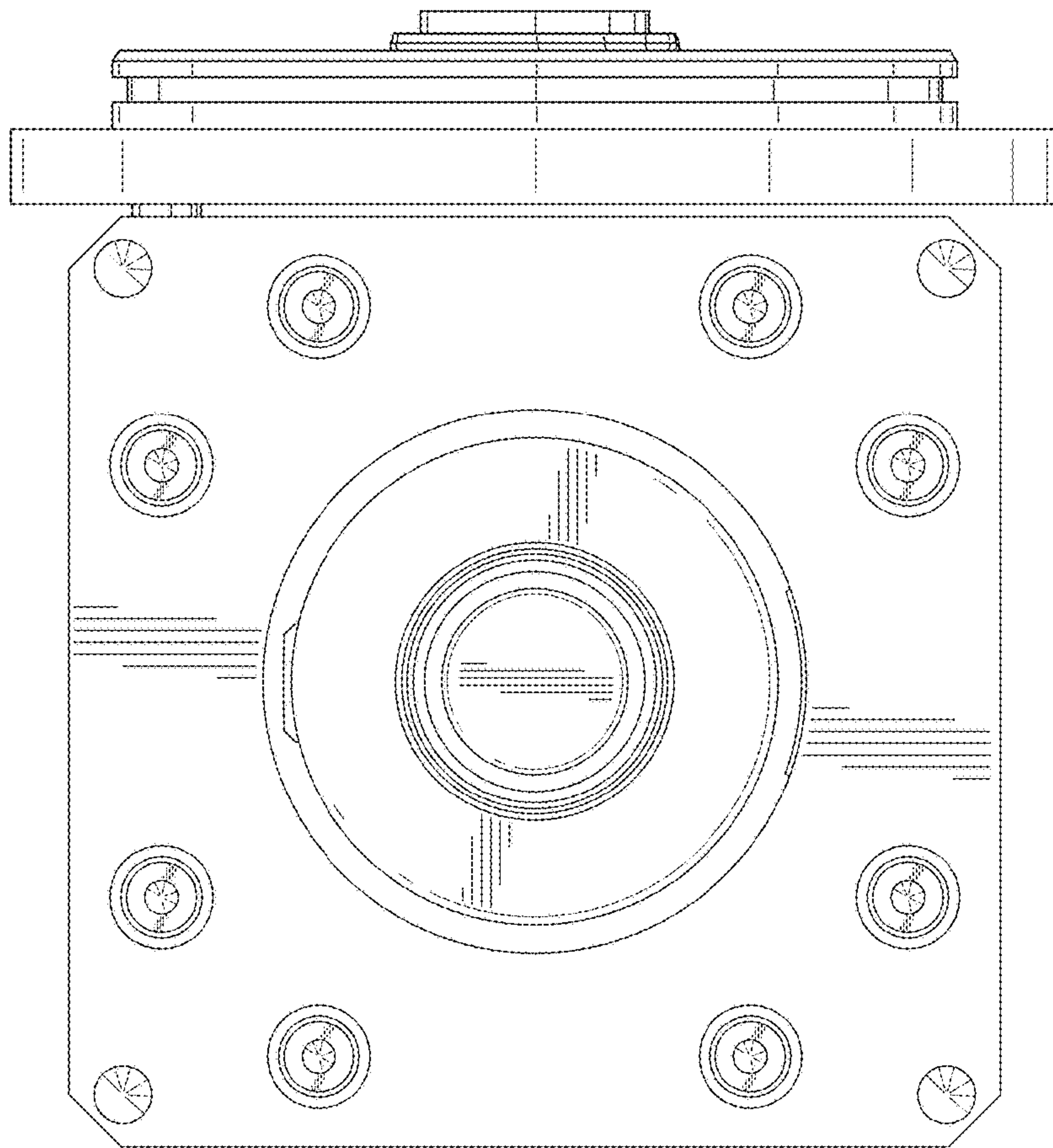


FIG. 3

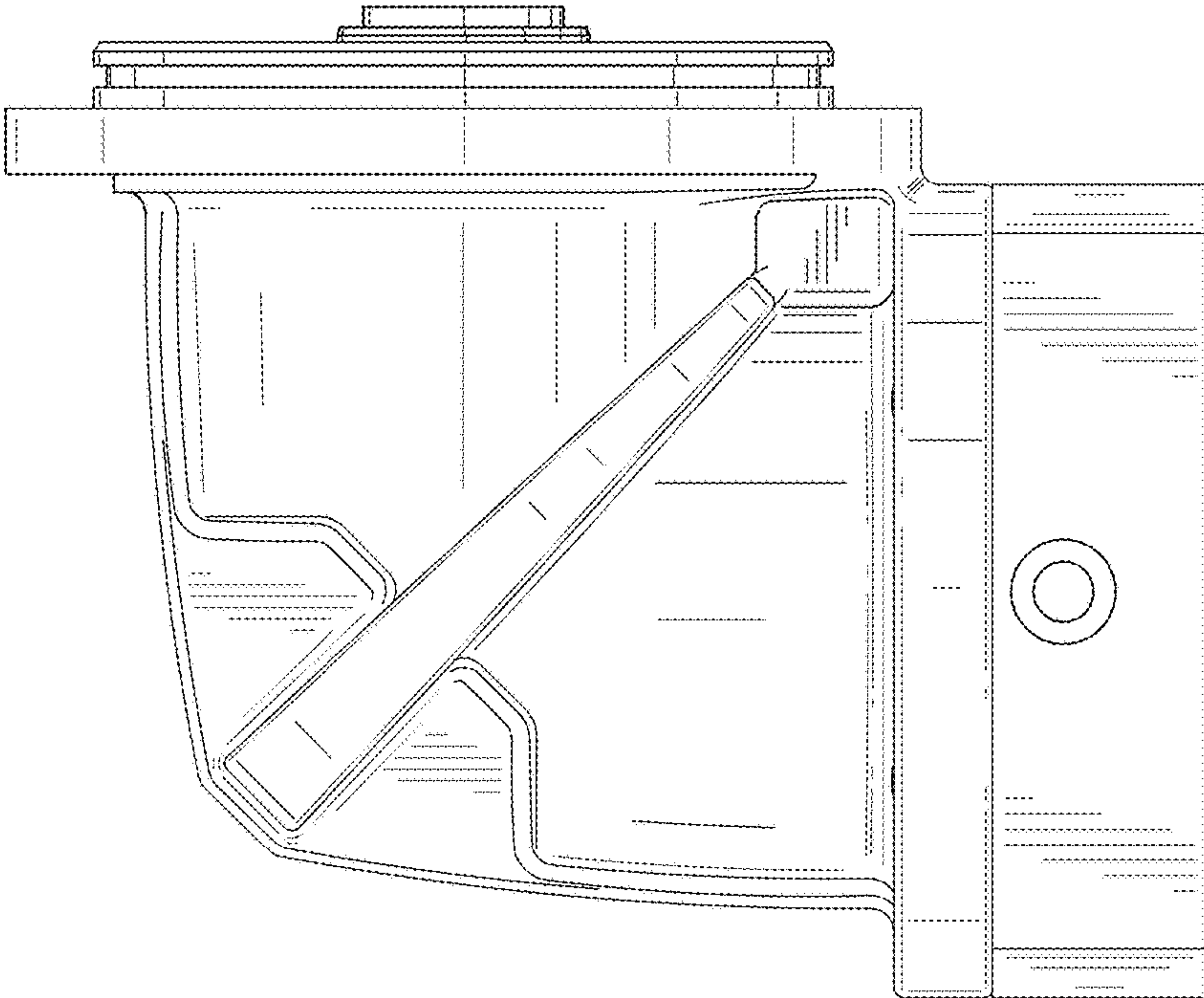


FIG. 4

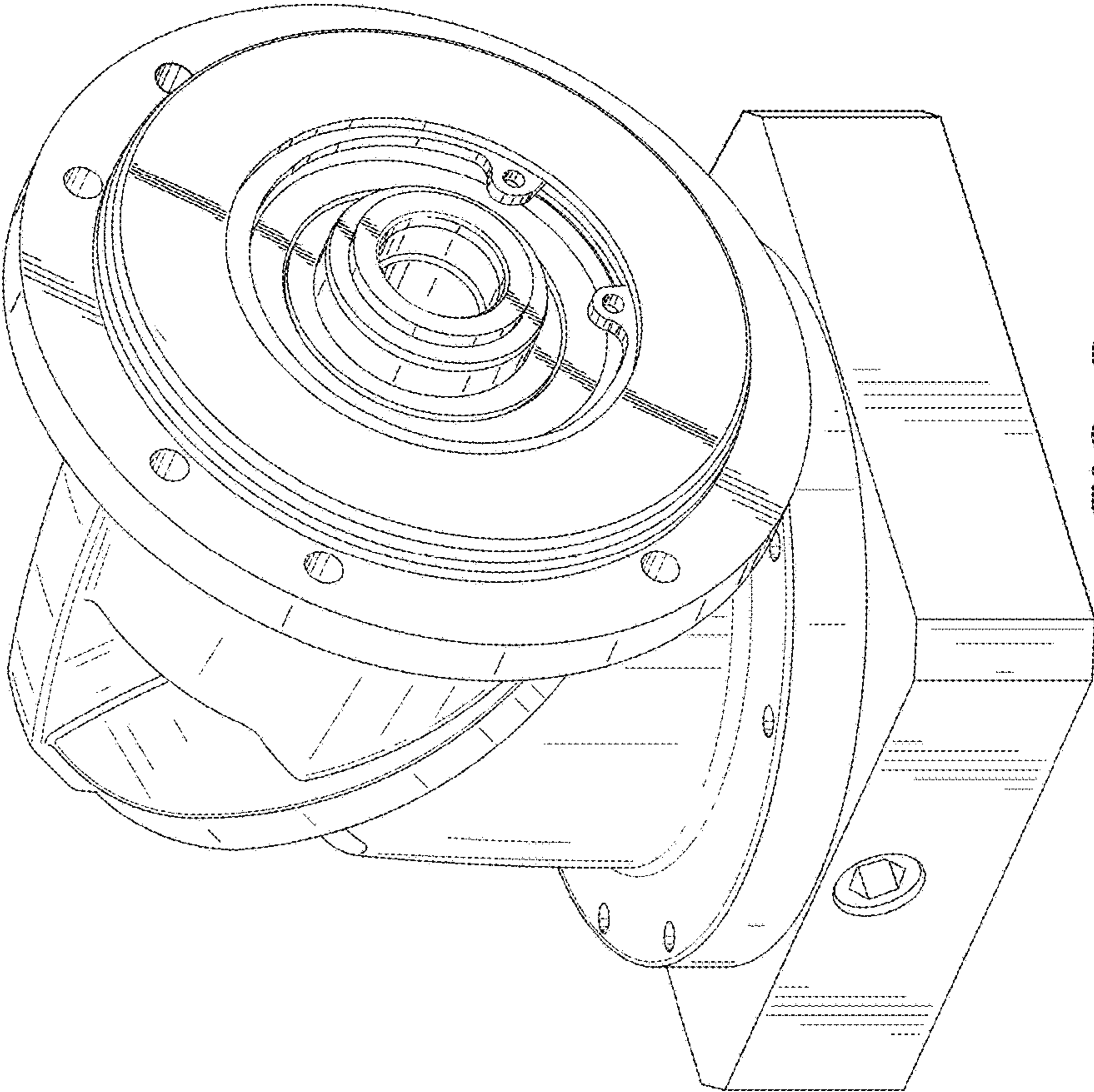


FIG. 5

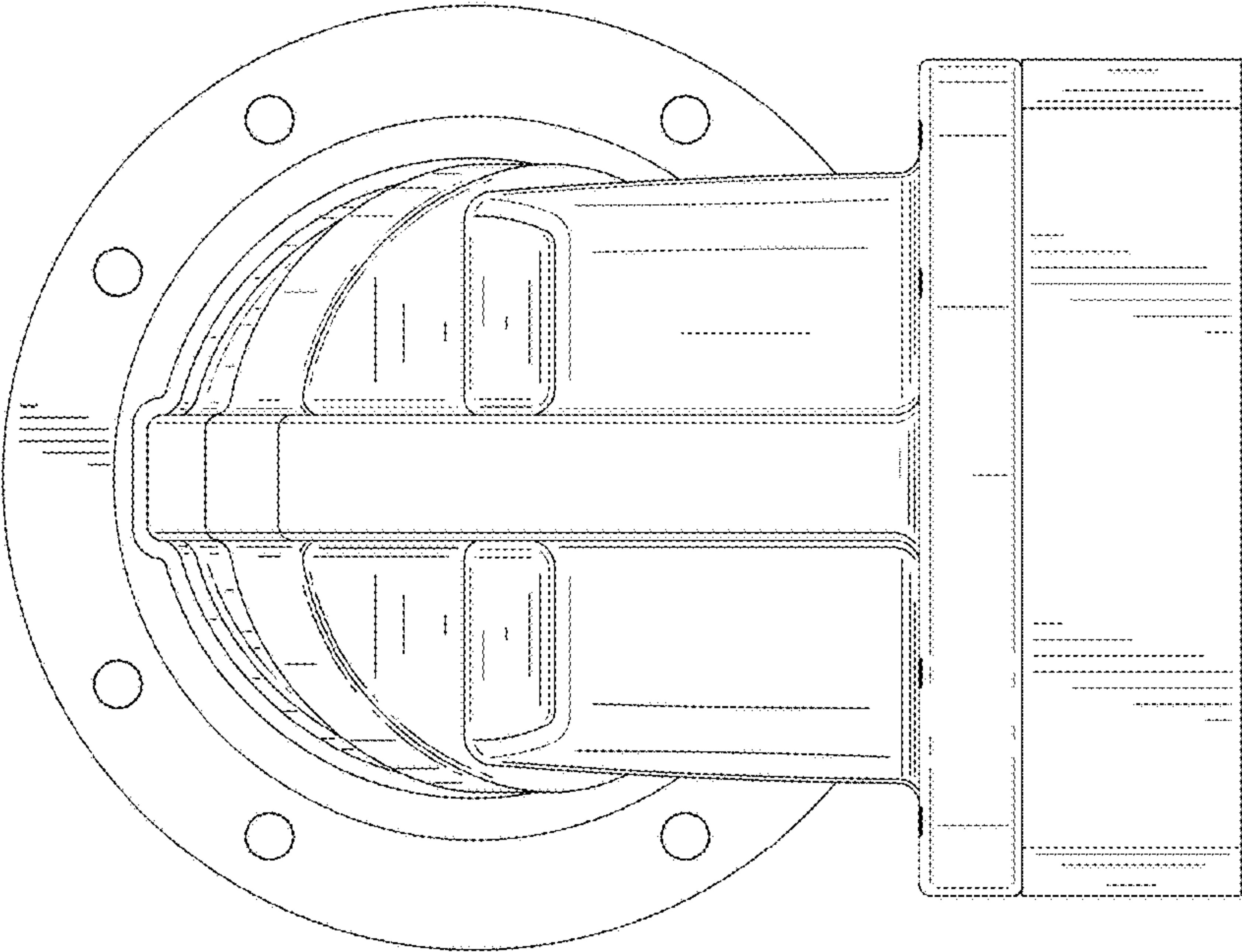


FIG. 6

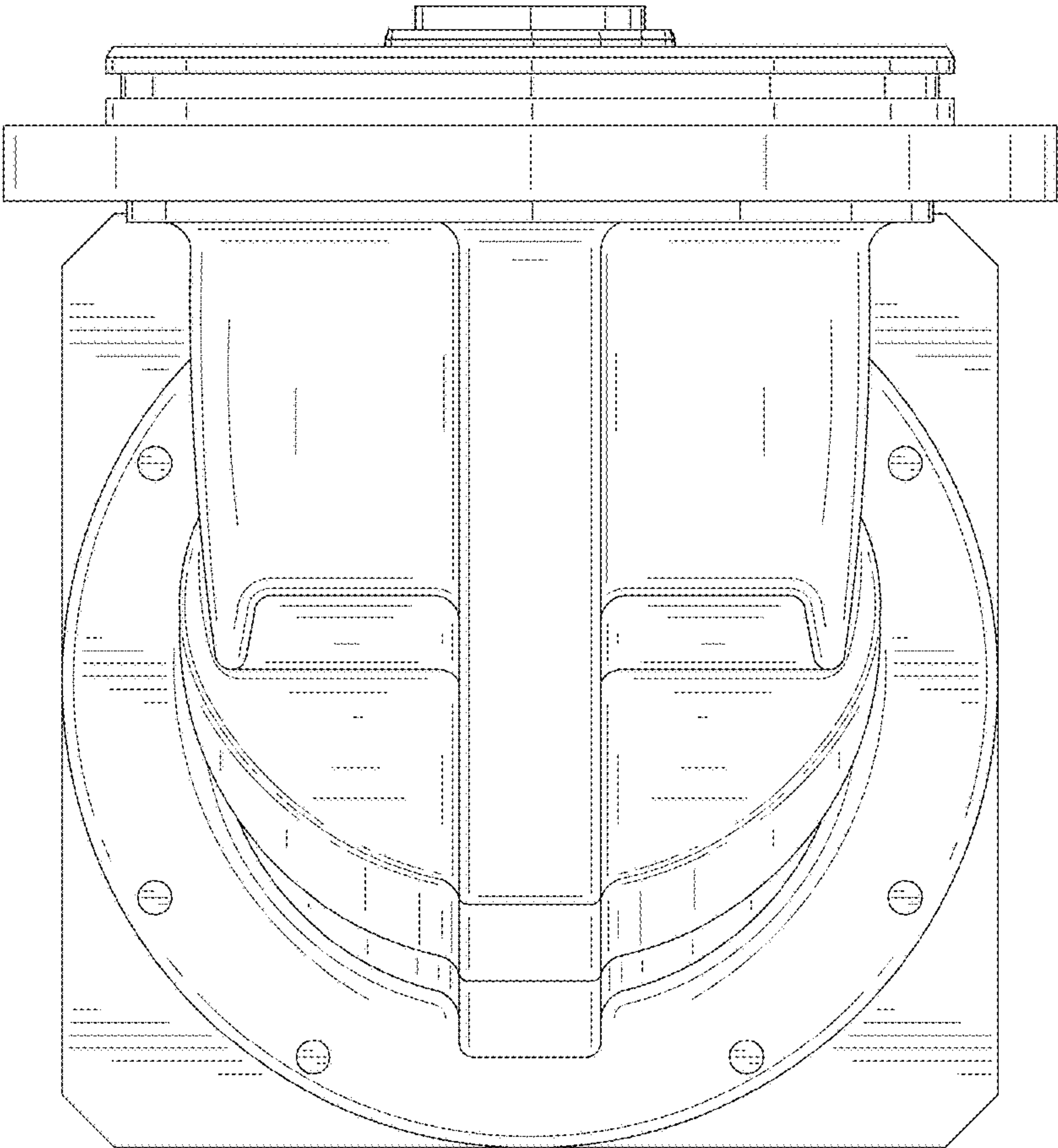


FIG. 7

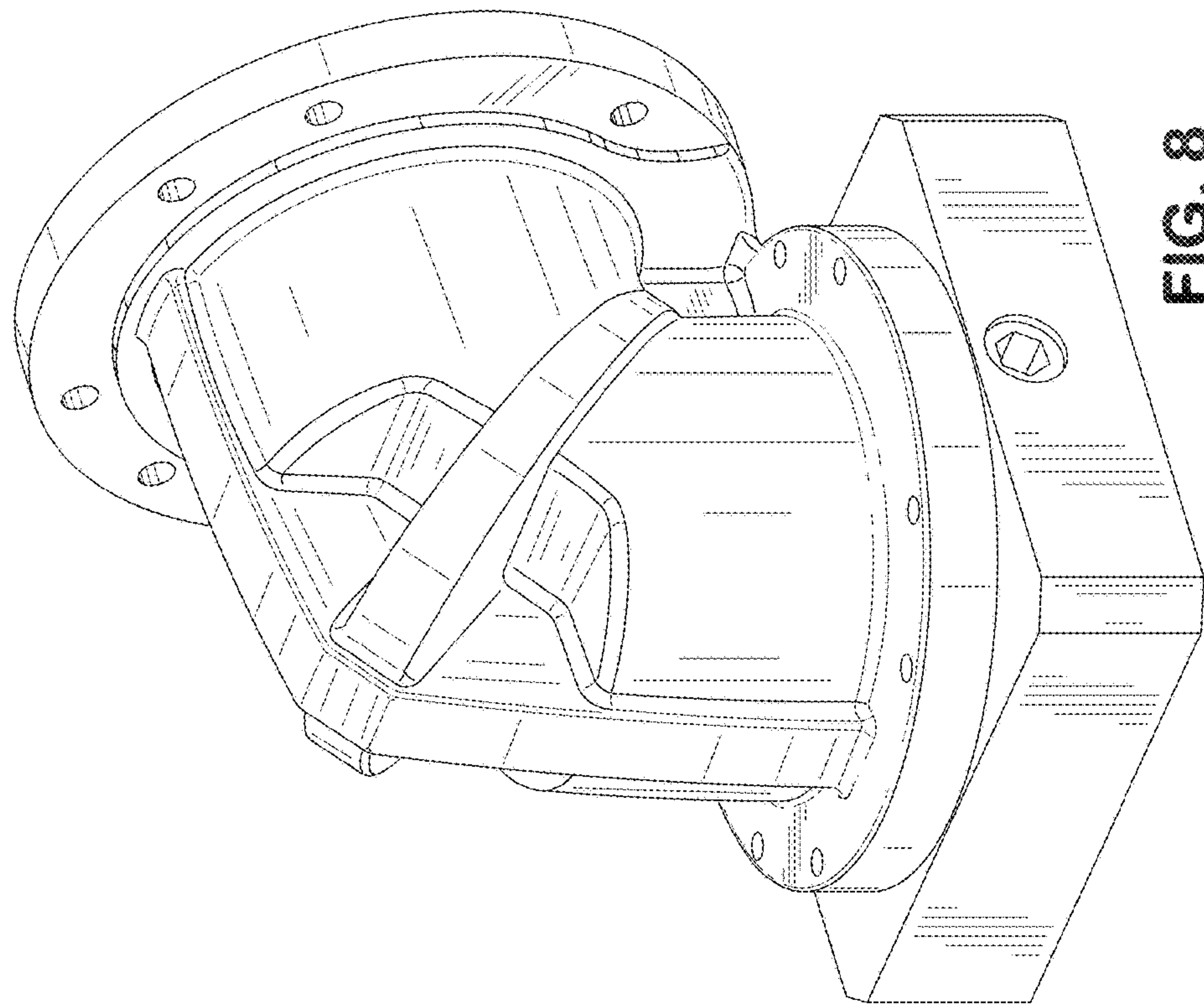


FIG. 8

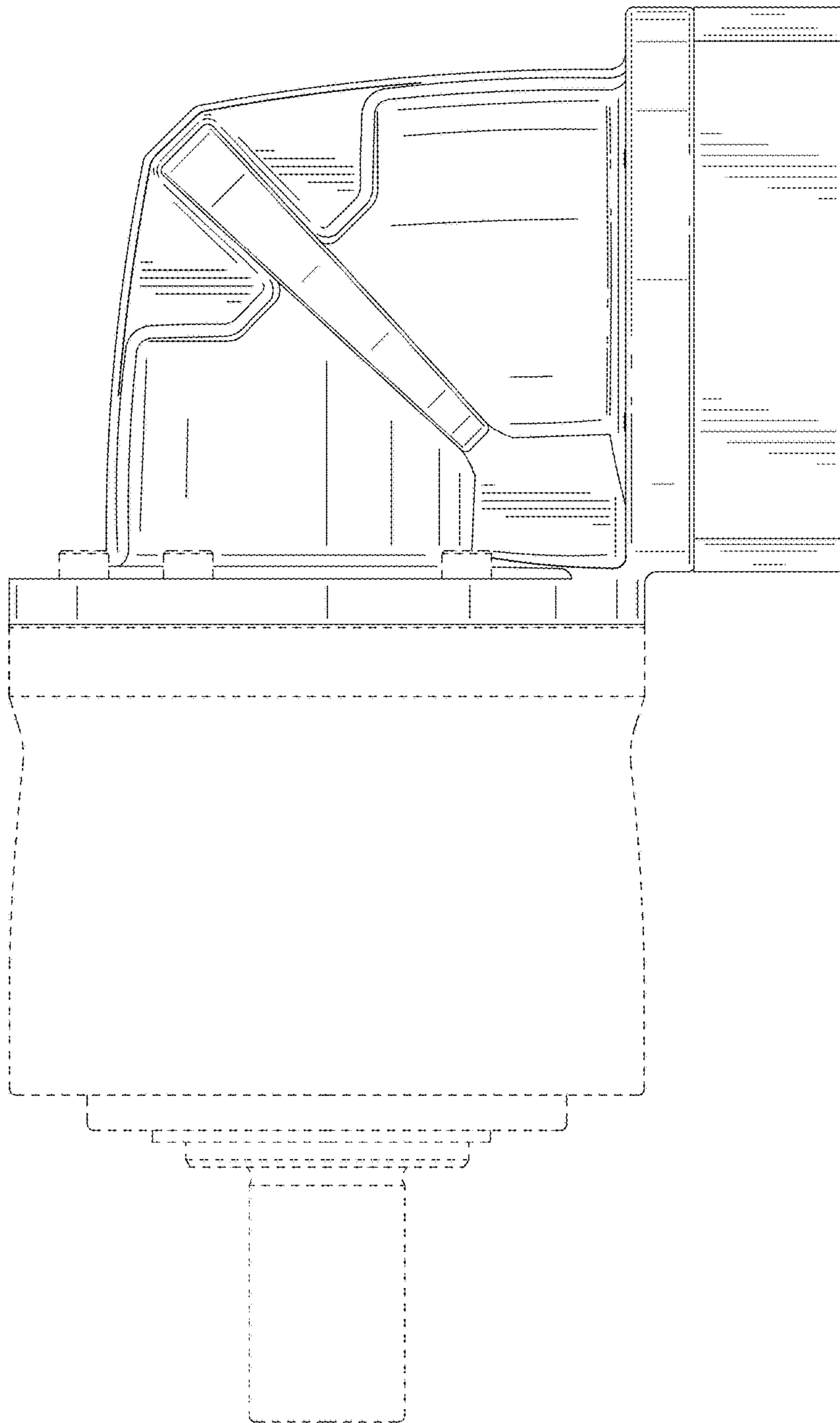


FIG. 9

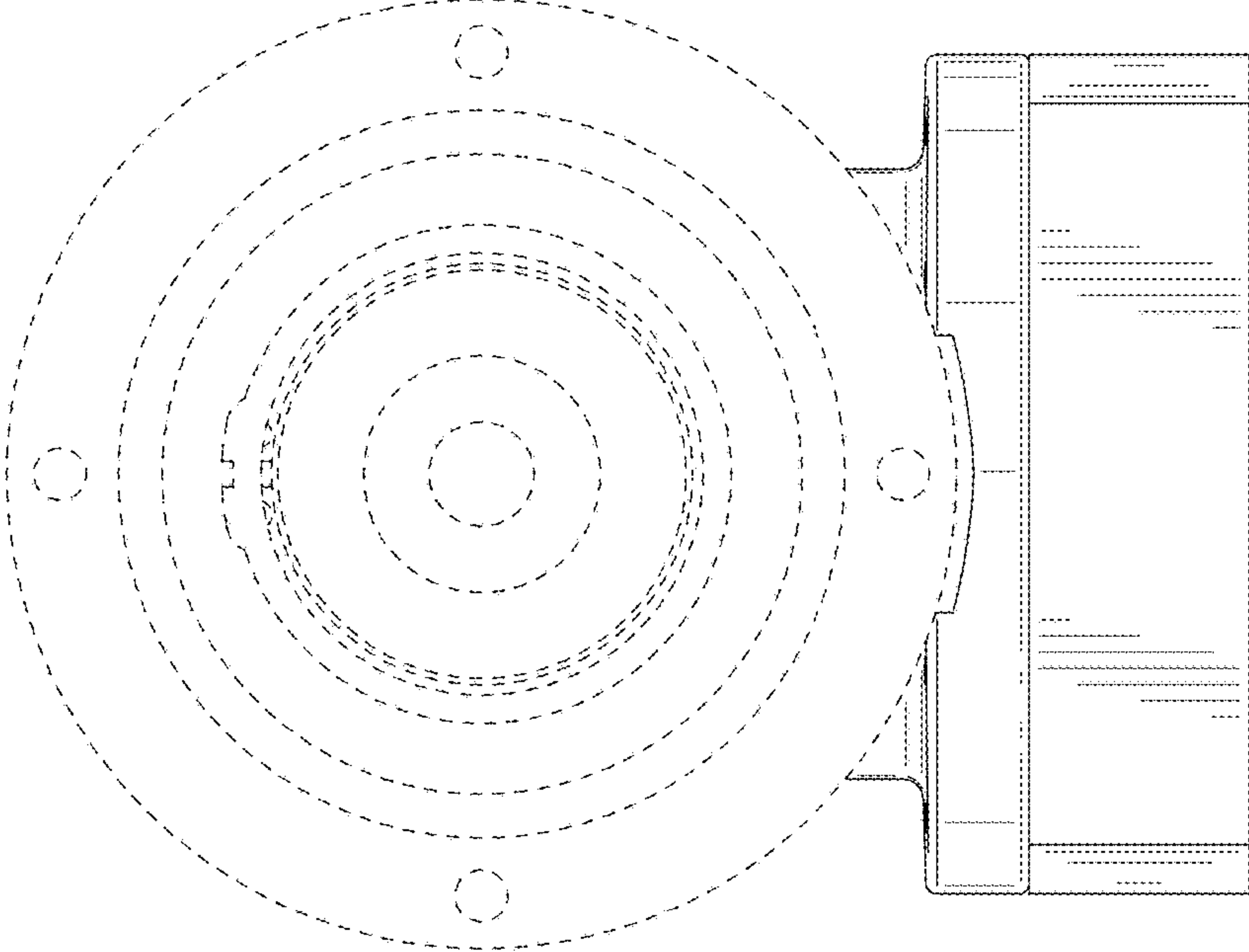


FIG. 10

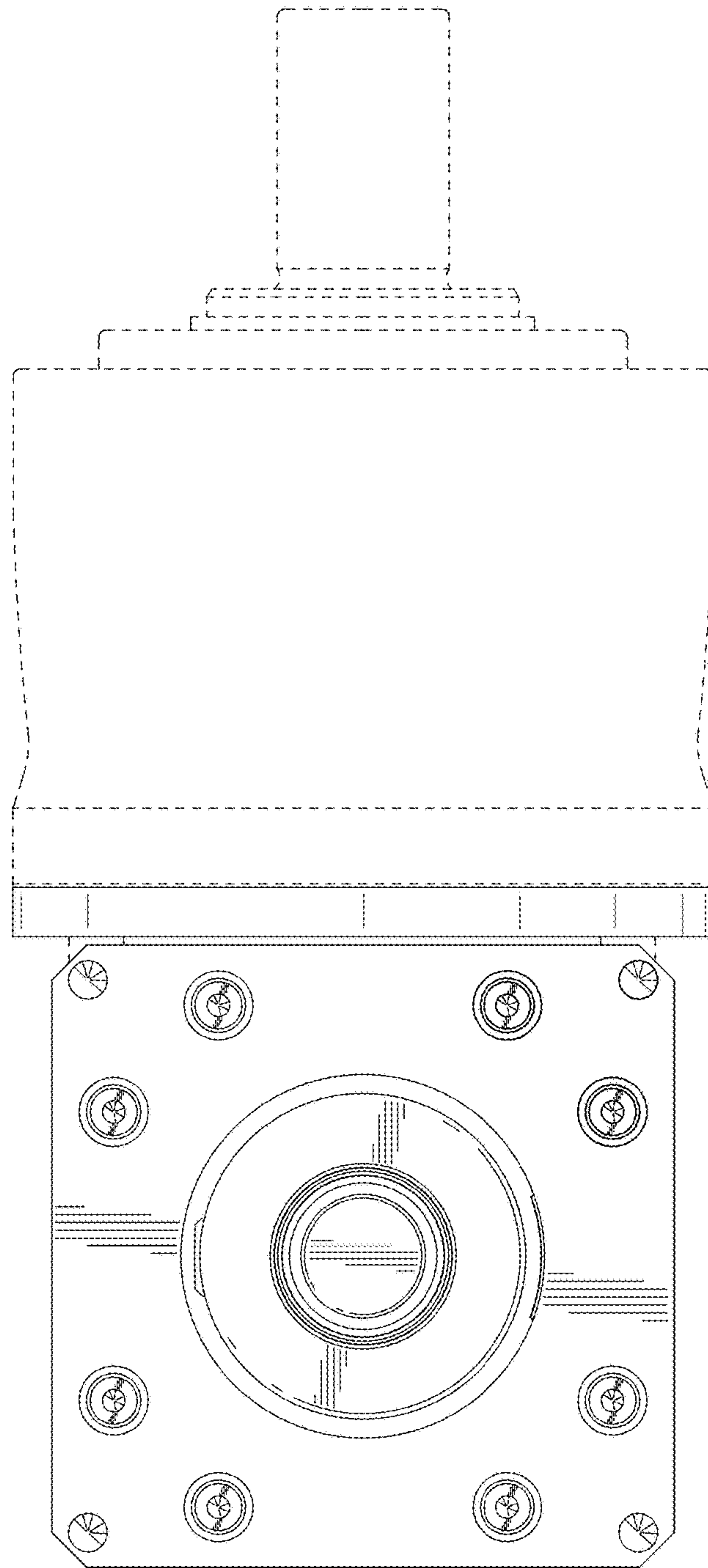


FIG. 11

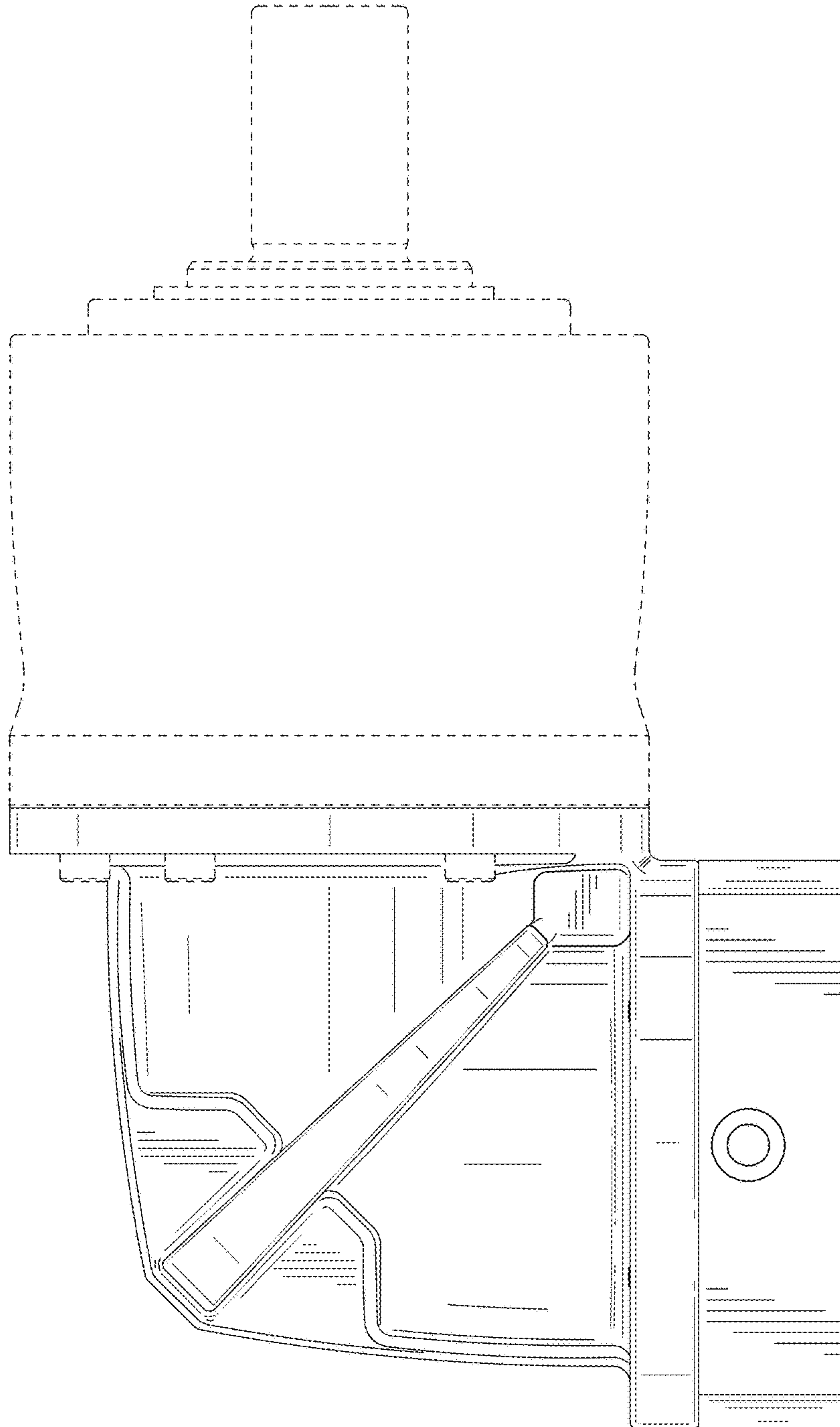


FIG. 12

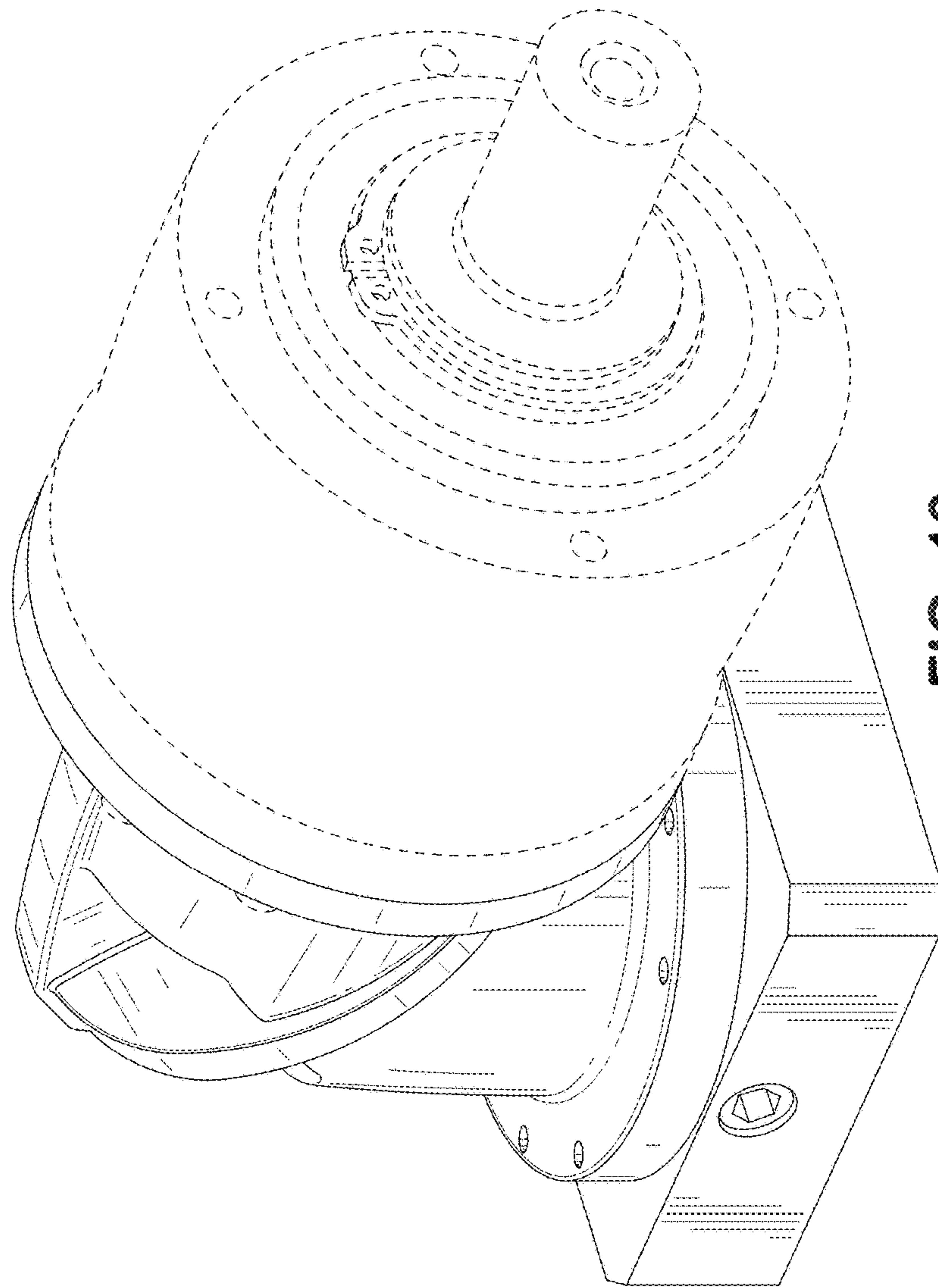


FIG. 13

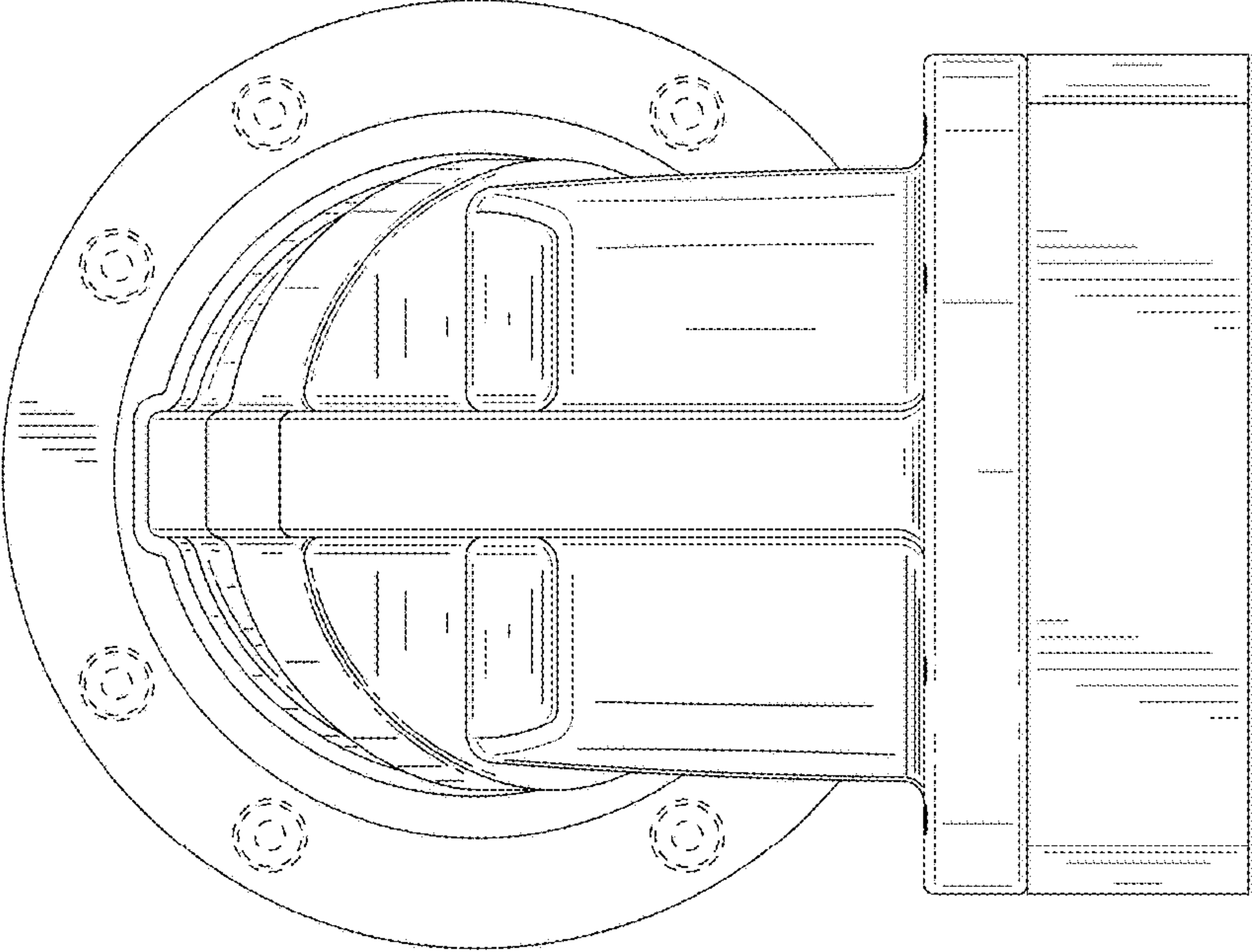


FIG. 14

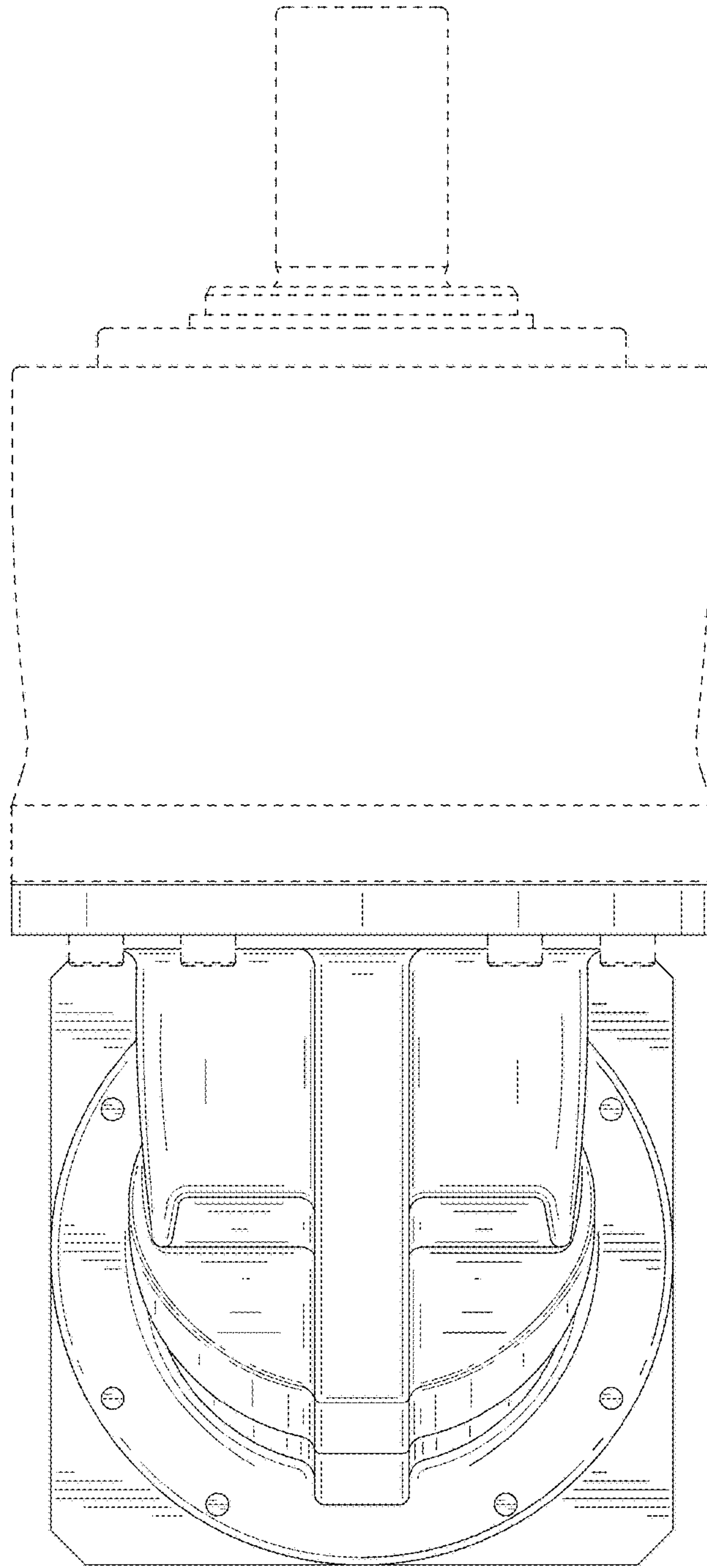


FIG. 15

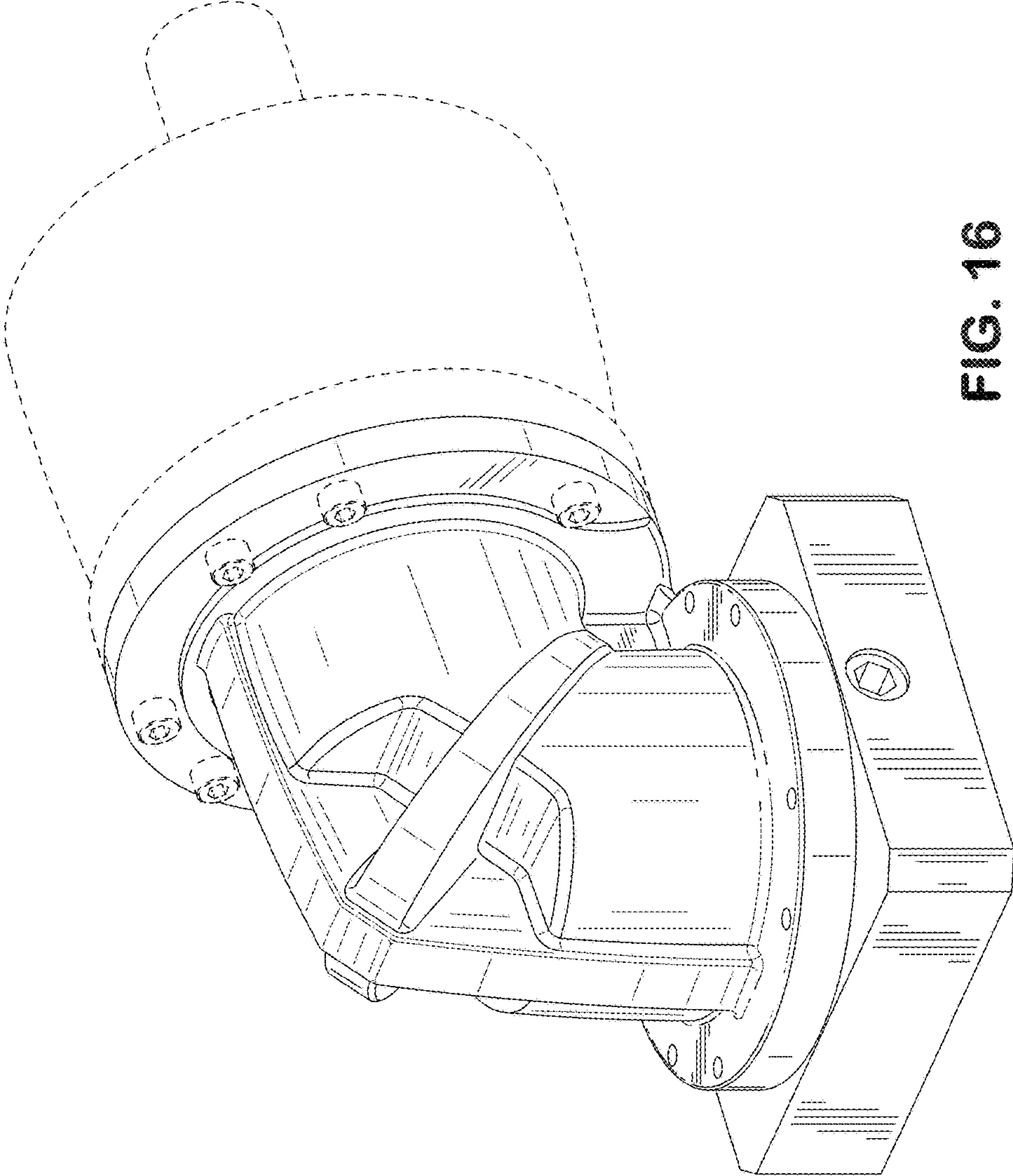


FIG. 16