



US00D855668S

(12) **United States Design Patent** (10) **Patent No.:** **US D855,668 S**  
**Stein** (45) **Date of Patent:** **\*\* Aug. 6, 2019**

(54) **FILTER KEY DEVICE**

(71) Applicant: **Ningbo Yinzhou Bi Chun Water Purification Technology Limited Company, Ningbo (CN)**

(72) Inventor: **Matthew Stein, Truckee, CA (US)**

(73) Assignee: **NINGBO YINZHOU BI CHUN WATER PURIFICATION TECHNOLOGY LIMITED COMPANY (CN)**

(\*\*) Term: **15 Years**

(21) Appl. No.: **29/668,765**

(22) Filed: **Nov. 1, 2018**

(51) **LOC (12) Cl.** ..... **15-07**

(52) **U.S. Cl.**  
 USPC ..... **D15/89**

(58) **Field of Classification Search**  
 USPC ..... D15/79-91; D23/207, 209  
 CPC . F25B 2339/04; F25B 2339/044; F25B 39/04  
 See application file for complete search history.

D749,654 S \* 2/2016 Lee ..... F25D 23/04  
 D15/89

D752,179 S \* 3/2016 Lu ..... D23/209

D756,423 S \* 5/2016 Tres ..... D15/89

D780,886 S \* 3/2017 Kim ..... D23/209

9,901,852 B2 2/2018 Huda et al.

D831,785 S \* 10/2018 Atwell ..... D23/209

\* cited by examiner

*Primary Examiner* — Khawaja Anwar  
 (74) *Attorney, Agent, or Firm* — Fish IP Law, LLP

(57) **CLAIM**

The ornamental design of a filter key device, as shown and described.

**DESCRIPTION**

FIG. 1 is a top, front, right side perspective view of a filter key device, showing my new design;  
 FIG. 2 is a front elevation view thereof;  
 FIG. 3 is a rear elevation view thereof;  
 FIG. 4 is a left side elevation view thereof;  
 FIG. 5 is a right side elevation view thereof;  
 FIG. 6 is a top, back, right side perspective view thereof;  
 FIG. 7 is a top, back, left side perspective view thereof;  
 FIG. 8 is a top, front, left side perspective view thereof;  
 FIG. 9 is a bottom, back, left side perspective view thereof;  
 FIG. 10 is a bottom, back, right side perspective view thereof;  
 FIG. 11 is a bottom, front, left side perspective view thereof;  
 and,  
 FIG. 12 is a bottom, front, right side perspective view thereof.

The broken line showing of various features of the filter key device form no part of the claimed design.

(56) **References Cited**

U.S. PATENT DOCUMENTS

D496,056 S \* 9/2004 Floeter, Jr. .... D15/89

D527,749 S \* 9/2006 Eveland ..... F25D 23/04  
 D15/89

D528,136 S \* 9/2006 Brockington ..... D15/89

D645,935 S \* 9/2011 Kulikov ..... D23/209

8,137,551 B1 3/2012 Huda et al.

D663,379 S \* 7/2012 Muller ..... D23/209

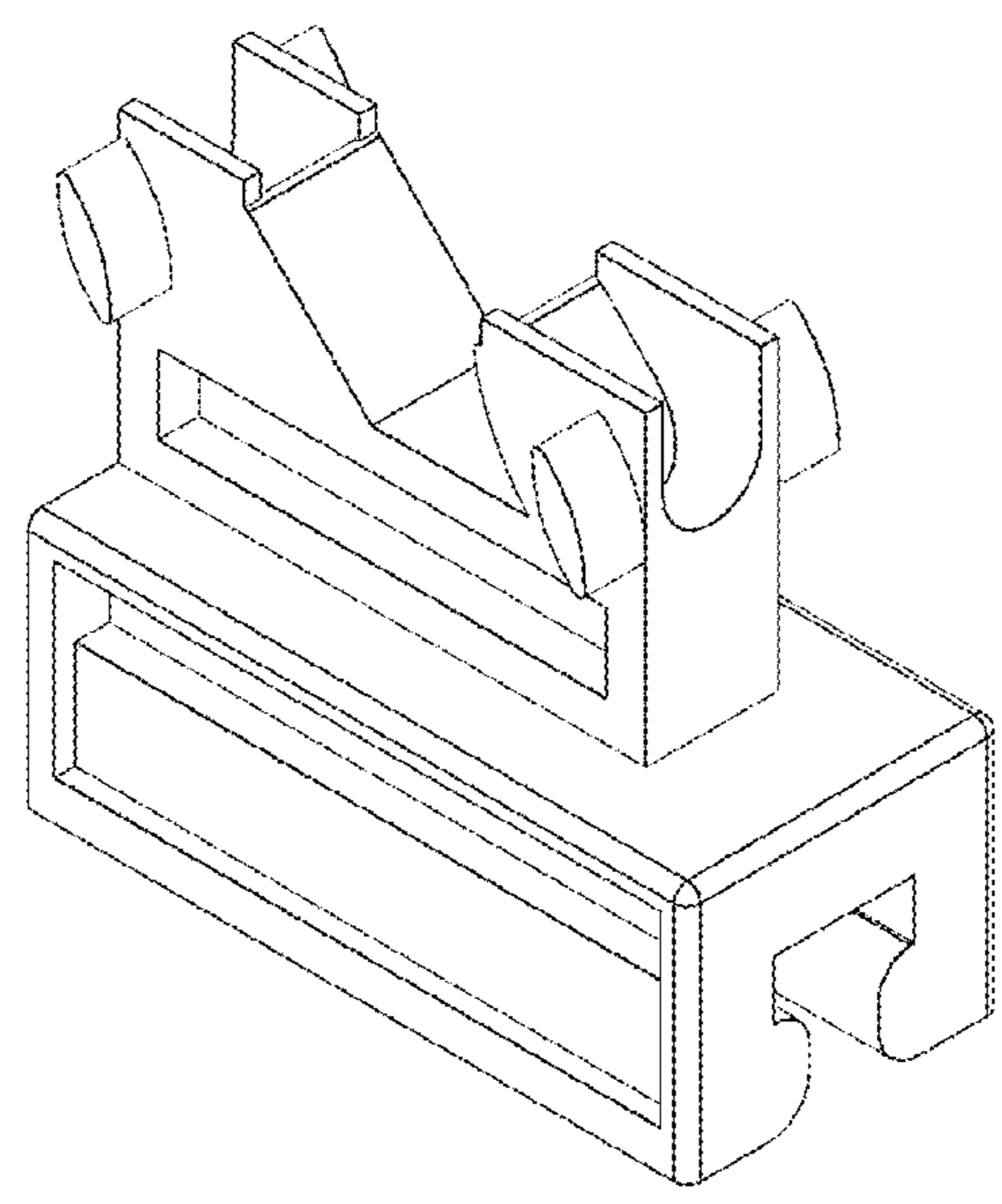
8,673,146 B2 3/2014 Huda et al.

D719,589 S \* 12/2014 Park ..... D15/89

D748,167 S \* 1/2016 Lee ..... F25D 25/025  
 D15/89

9,233,322 B1 1/2016 Huda et al.

**1 Claim, 12 Drawing Sheets**



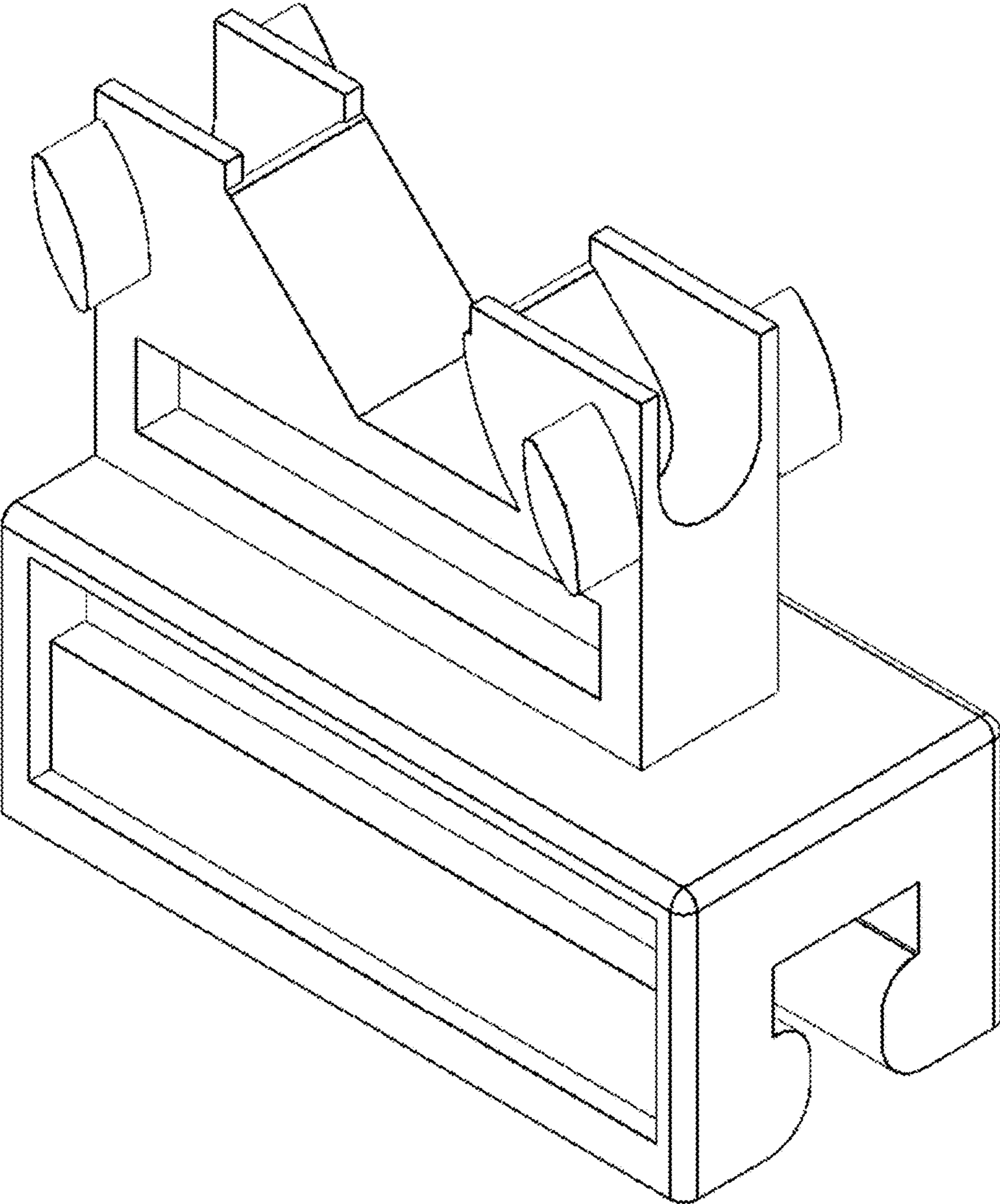


Figure 1

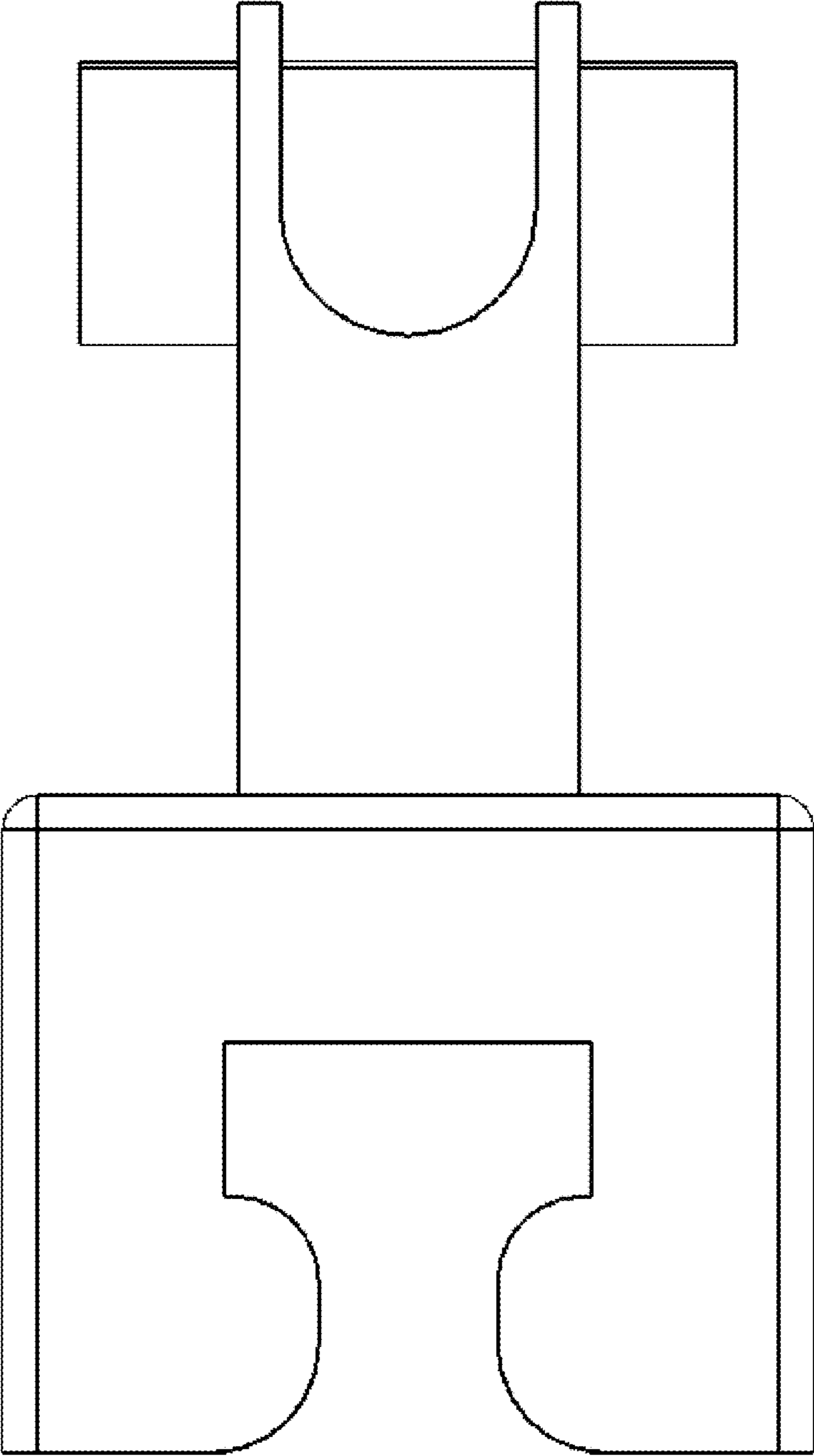


Figure 2

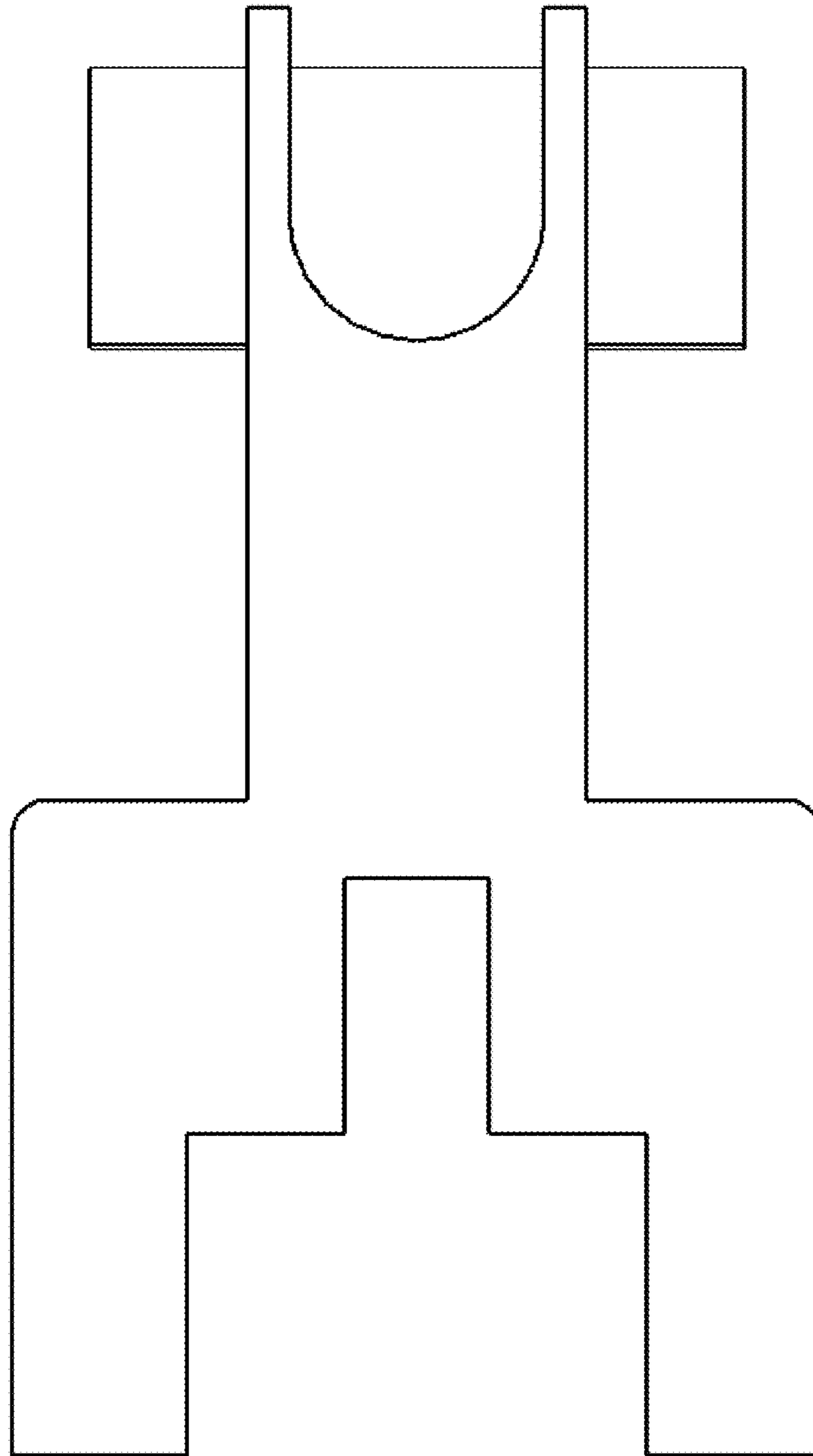


Figure 3

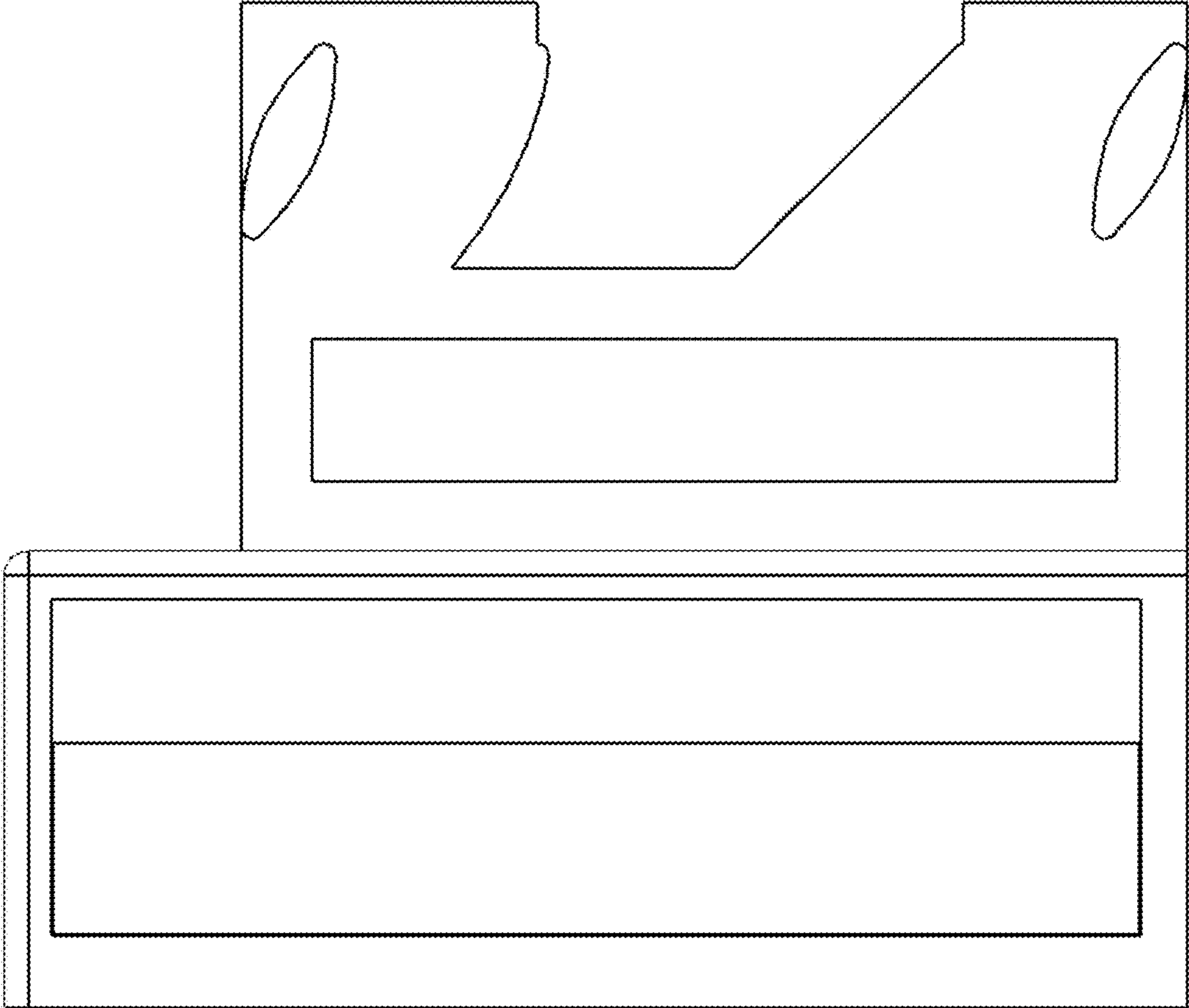


Figure 4

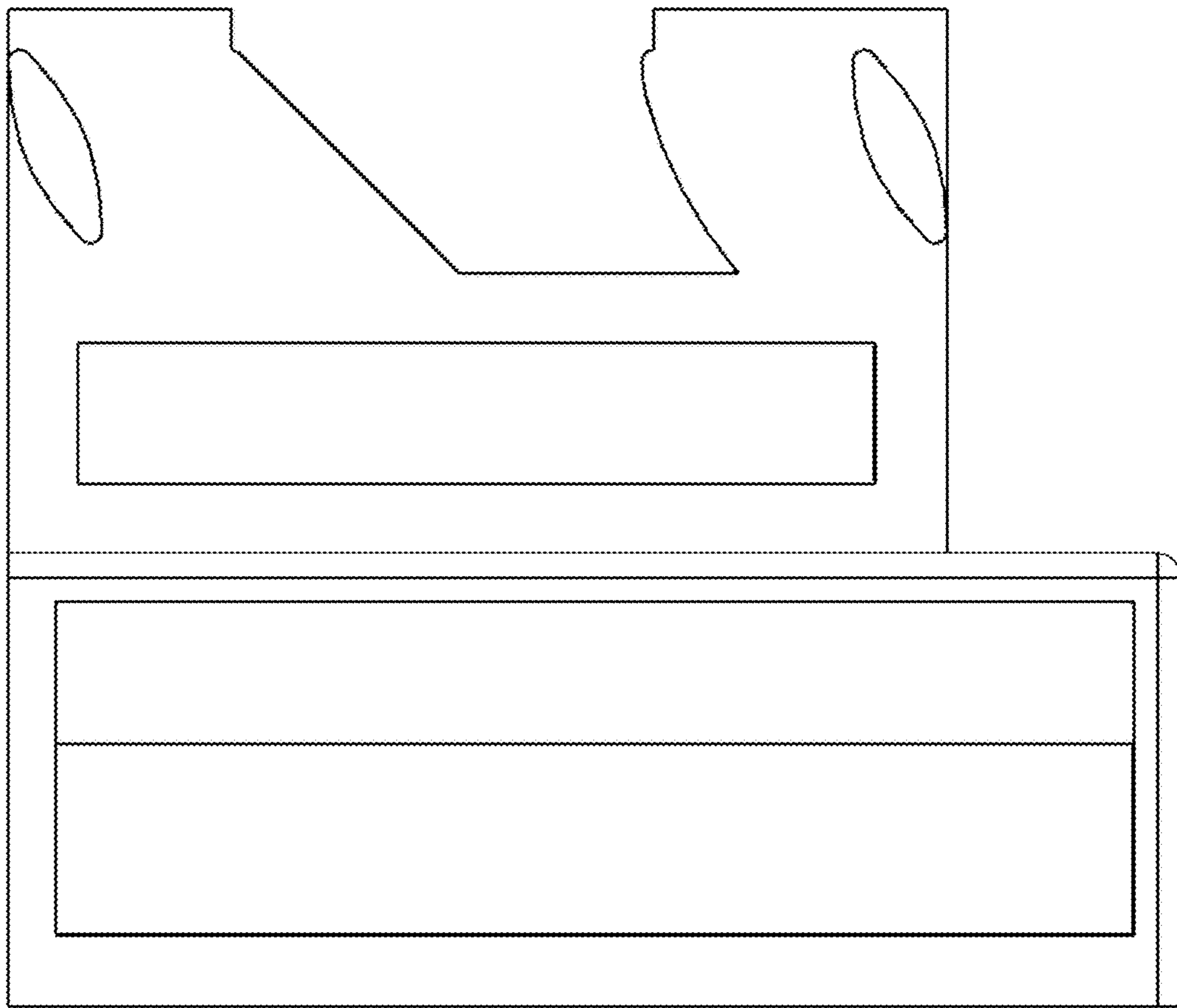


Figure 5

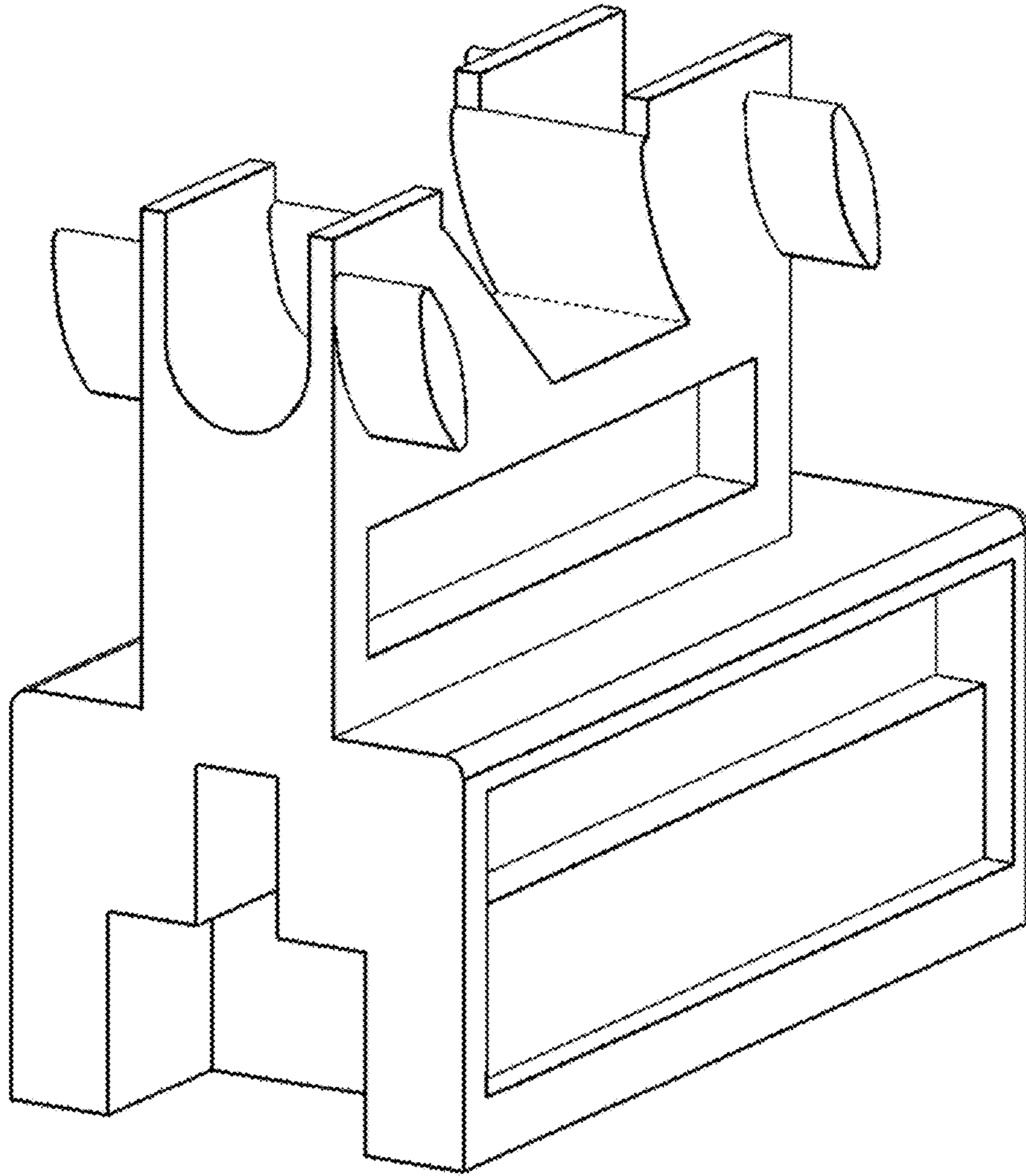


Figure 6

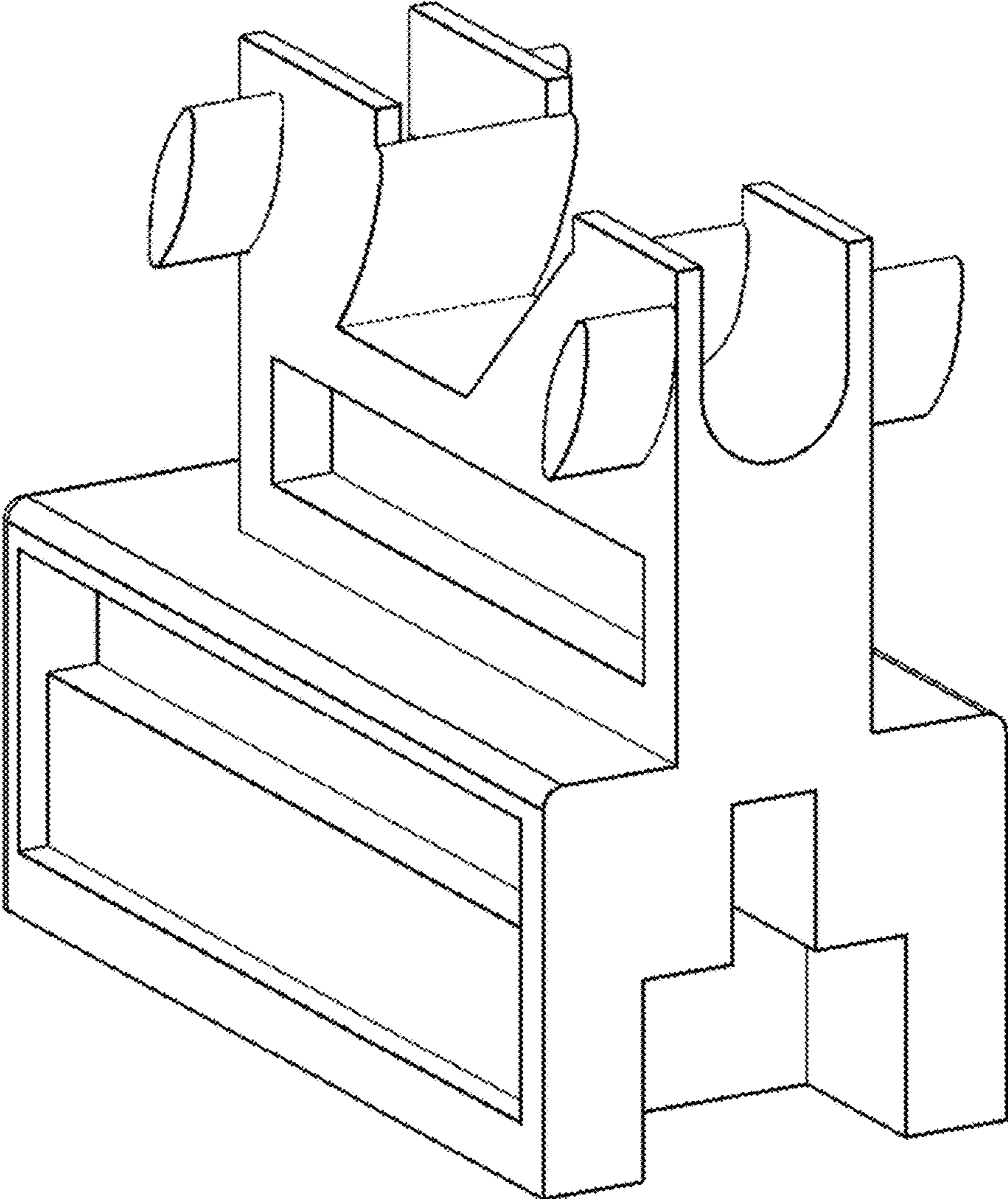


Figure 7



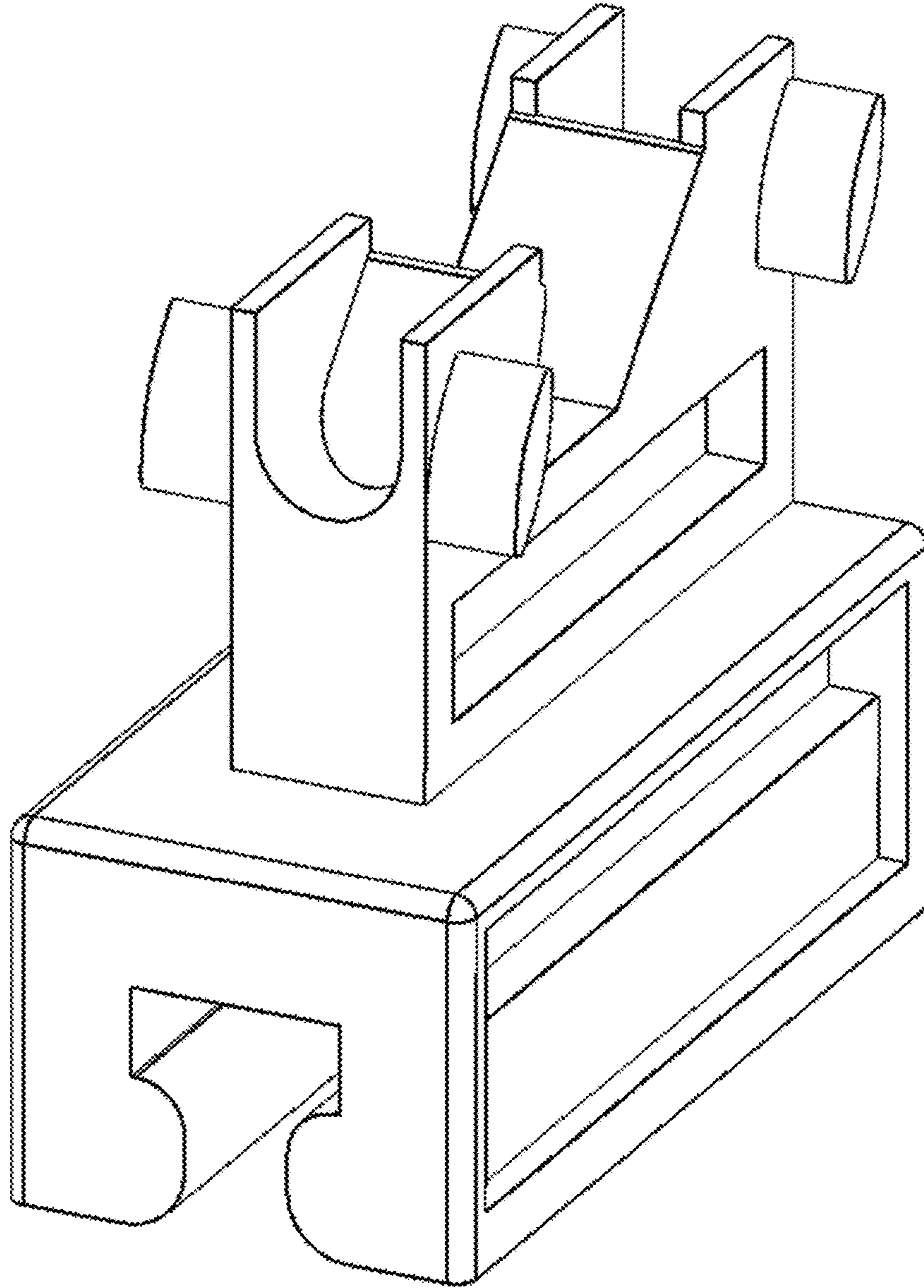


Figure 8

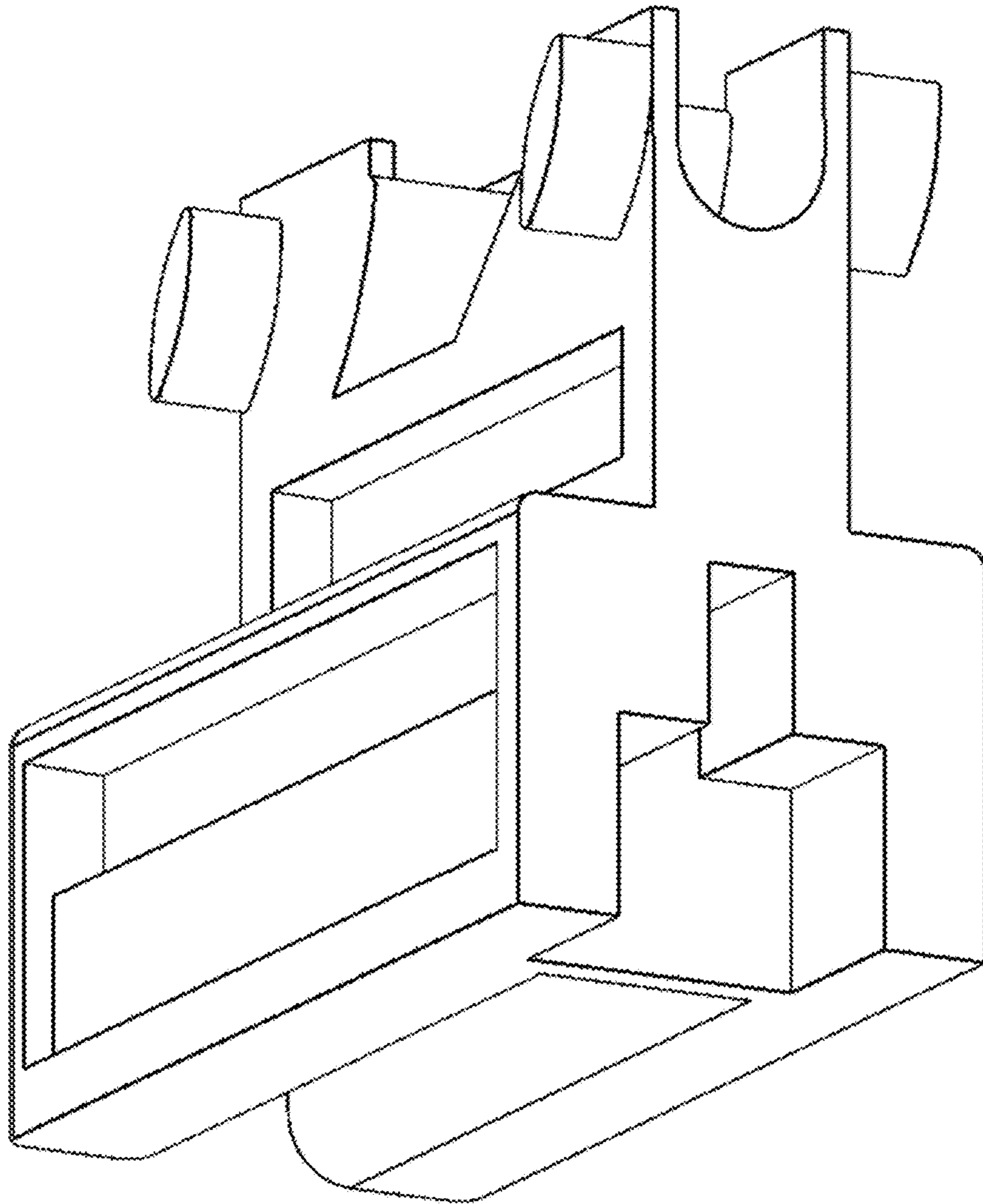


Figure 9

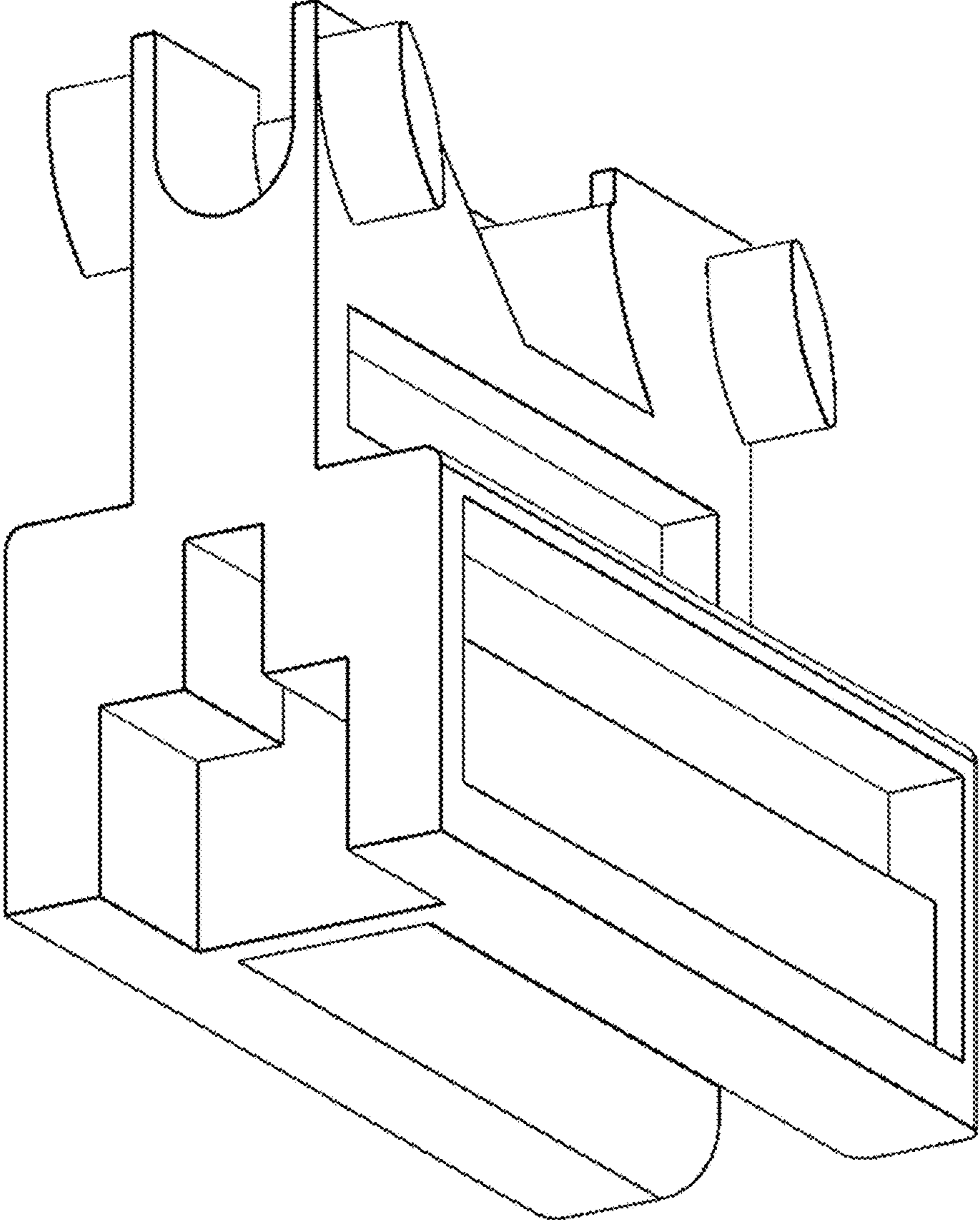


Figure 10

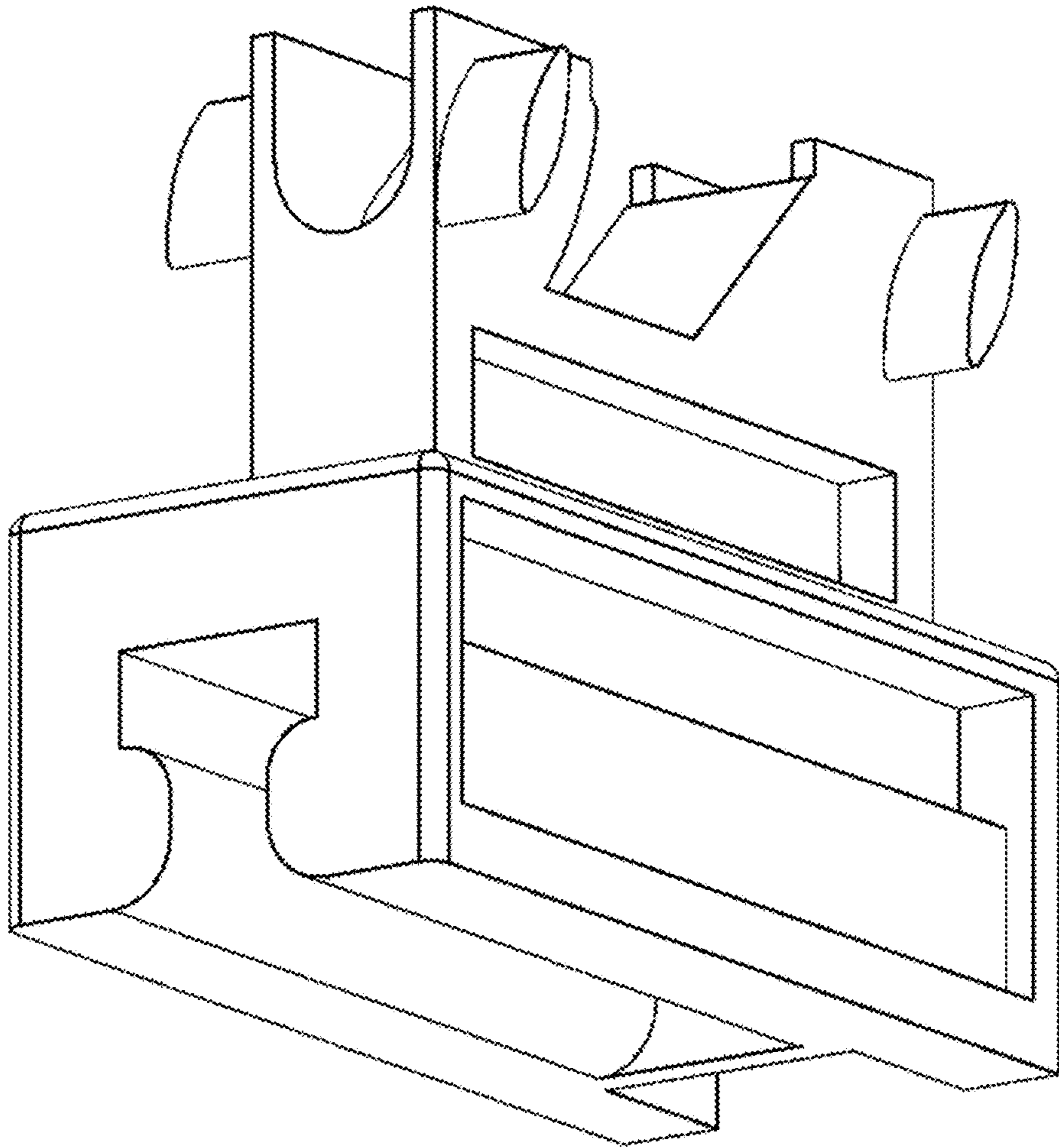


Figure 11

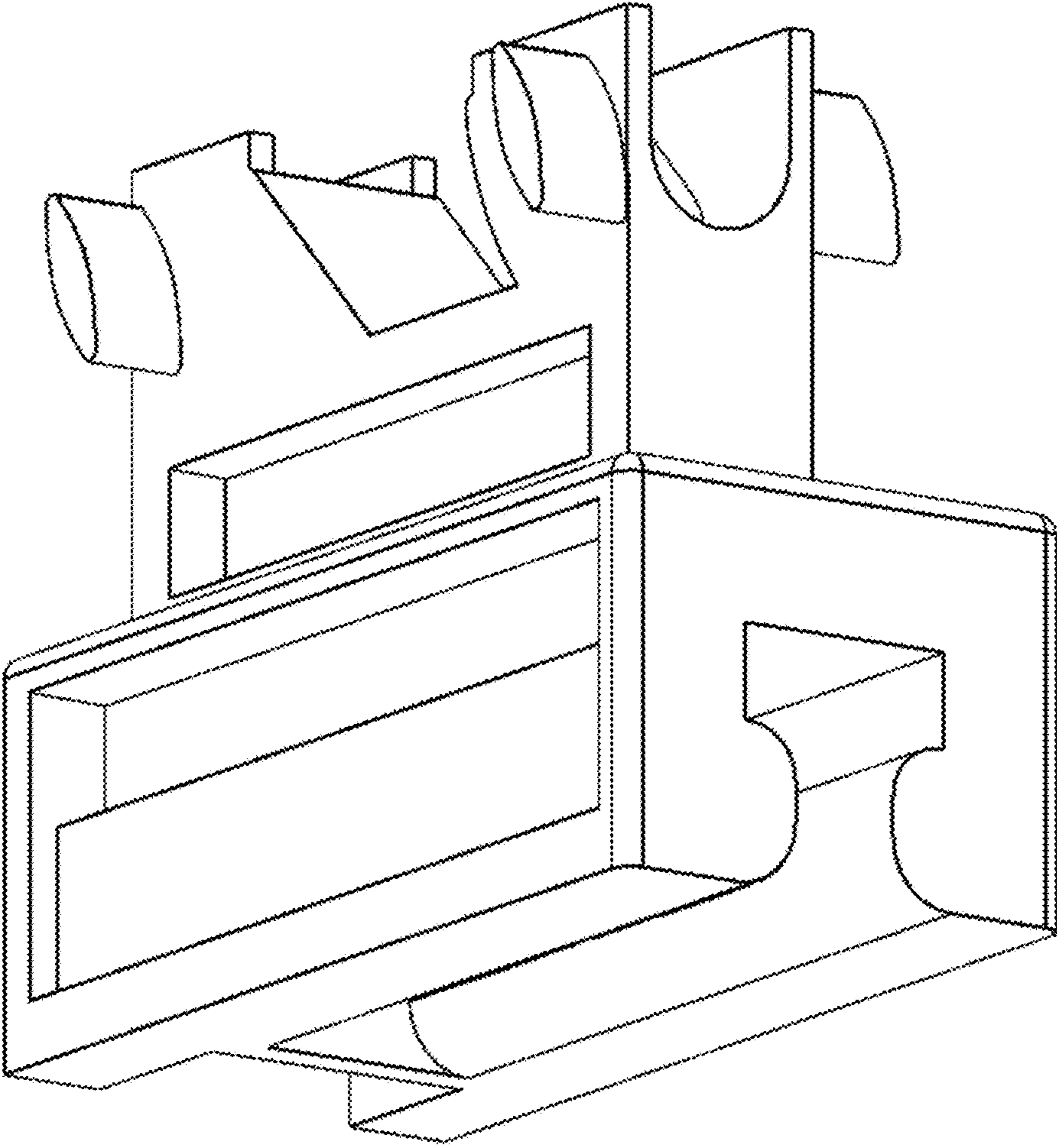


Figure 12