



US00D855667S

(12) **United States Design Patent**
Shu et al.

(10) **Patent No.:** **US D855,667 S**

(45) **Date of Patent:** **** Aug. 6, 2019**

(54) **WATER COOLER**

(71) Applicant: **SHANGHAI HUGONG ELECTRIC (GROUP) CO., LTD.**, Shanghai (CN)

(72) Inventors: **Zhenyu Shu**, Shanghai (CN); **Zhiqiang Li**, Shanghai (CN)

(73) Assignee: **SHANGHAI HUGONG ELECTRIC (GROUP) CO., LTD.**, Shanghai (CN)

(**) Term: **15 Years**

(21) Appl. No.: **29/633,138**

(22) Filed: **Jan. 12, 2018**

(51) **LOC (12) Cl.** **15-07**

(52) **U.S. Cl.**
USPC **D15/79**

(58) **Field of Classification Search**
USPC D15/126, 138, 141, 79-91, 7-9;
D23/200, 207
CPC .. F01P 3/02; F01P 2003/021; F01P 2003/024;
F01P 2007/146; F01P 3/20; F01P 7/16;
F01P 7/165; F01P 11/16; F01P 1/02;
F01P 2001/023; F01P 2003/022; F01P
2003/027; F01P 2025/13; F01P 2025/32;
F01P 2025/40; F01P 2025/46; F01P
2037/00; F01P 2060/08; F01P 3/18; F01P
5/10; F01P 5/12; F01P 7/164

See application file for complete search history.

(56) **References Cited**

U.S. PATENT DOCUMENTS

D201,425 S *	6/1965	Topel	D23/207
4,551,988 A *	11/1985	Petrantoni	F25D 3/06 62/457.1
D449,369 S *	10/2001	Hanzel	D23/200
D467,764 S *	12/2002	Harrison	D7/306
D627,855 S *	11/2010	Ito	D23/200
D641,065 S *	7/2011	Choi	D23/207
D650,397 S *	12/2011	Hartsfield, Jr.	D15/89

* cited by examiner

Primary Examiner — Khawaja Anwar

(74) *Attorney, Agent, or Firm* — Nixon & Vanderhye P.C.

(57) **CLAIM**

The ornamental design for a water cooler, as shown and described.

DESCRIPTION

FIG. 1 is a perspective view of the design for the water cooler;

FIG. 2 is a front view thereof;

FIG. 3 is a rear view thereof;

FIG. 4 is a left view thereof;

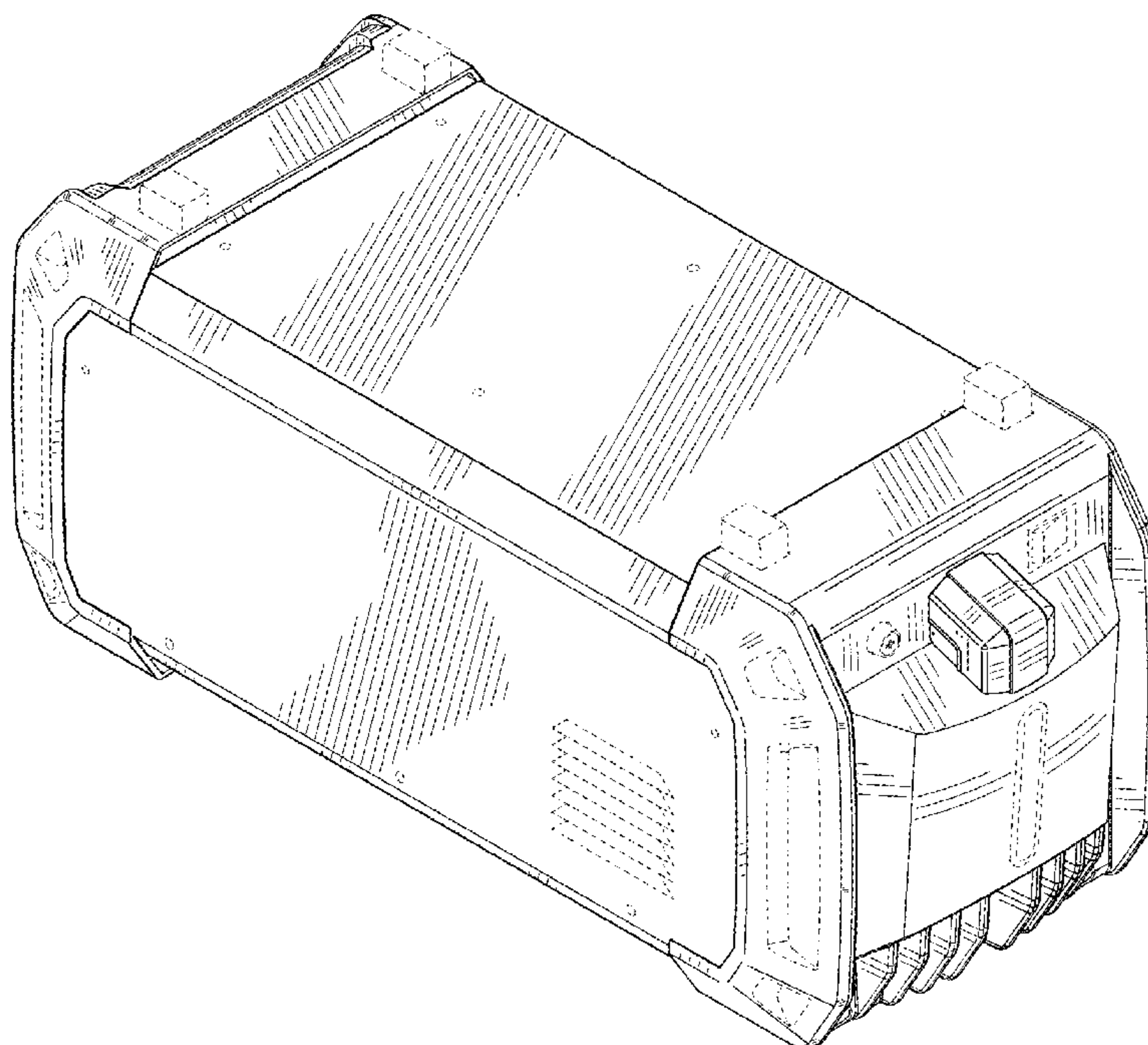
FIG. 5 is a right view thereof;

FIG. 6 is a top view thereof; and,

FIG. 7 is a bottom view thereof.

The broken lines are for the purposes of illustrating portions of the water cooler and form no part of the claimed design.

1 Claim, 7 Drawing Sheets



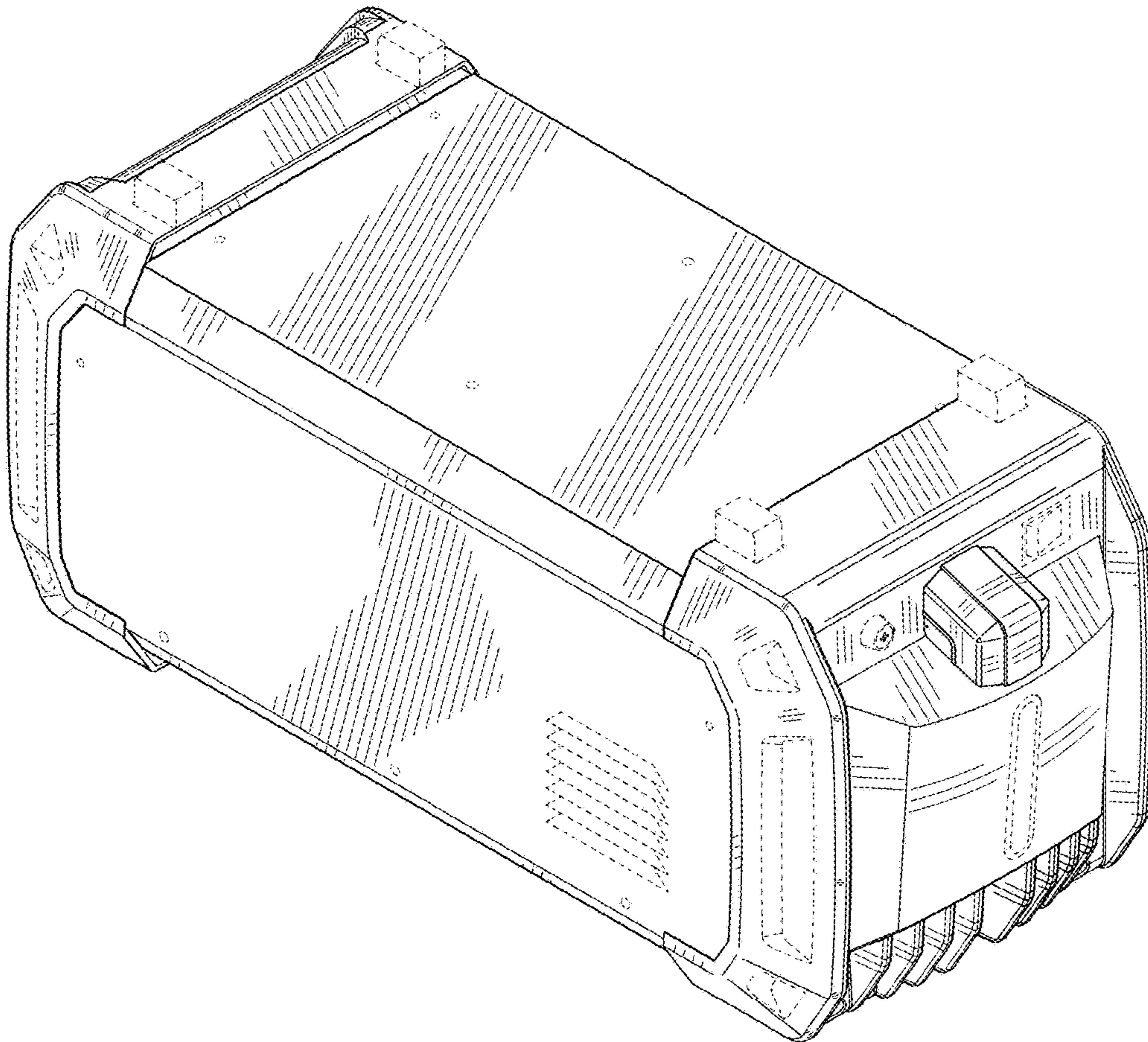


Fig. 1

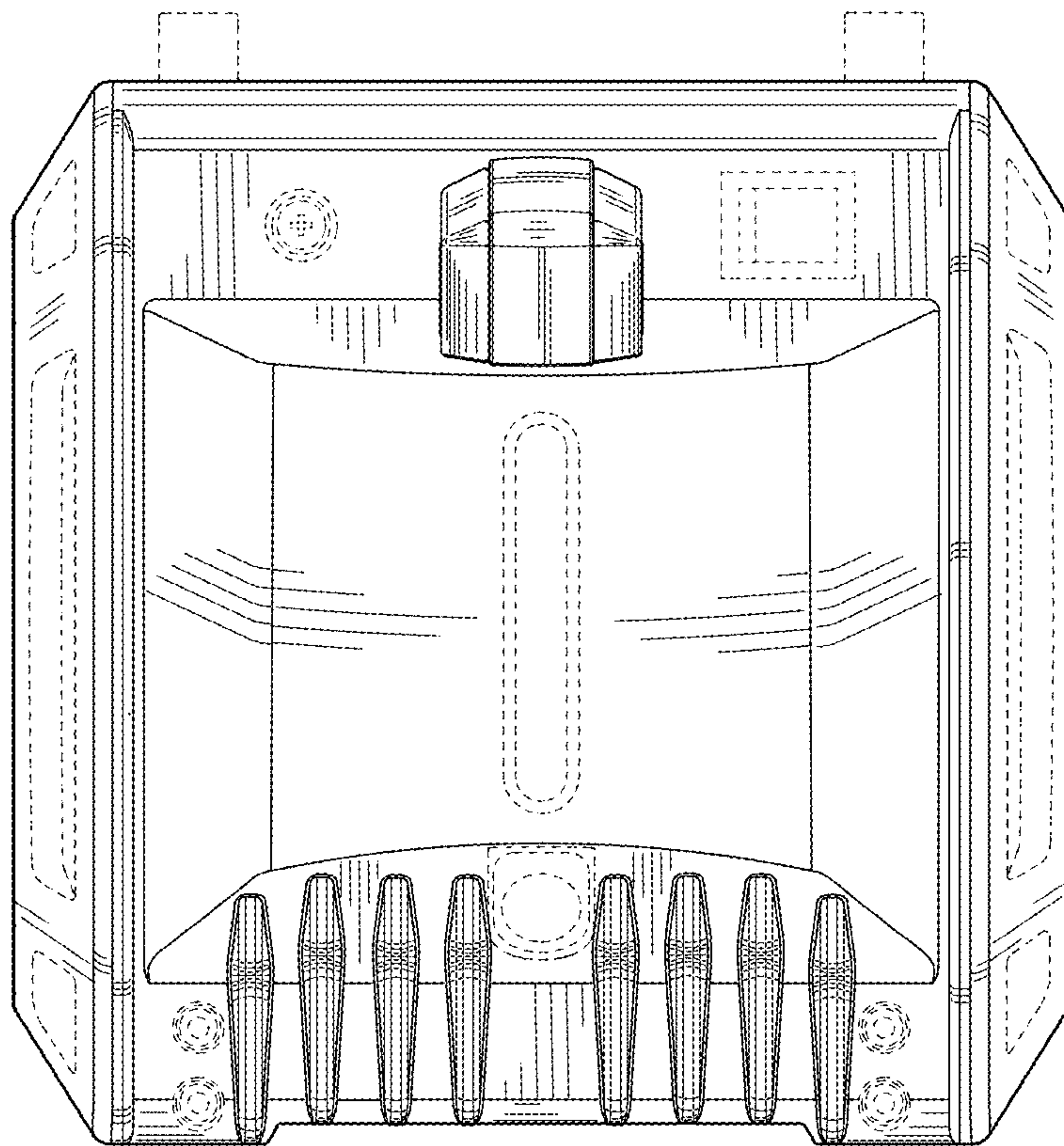


Fig. 2

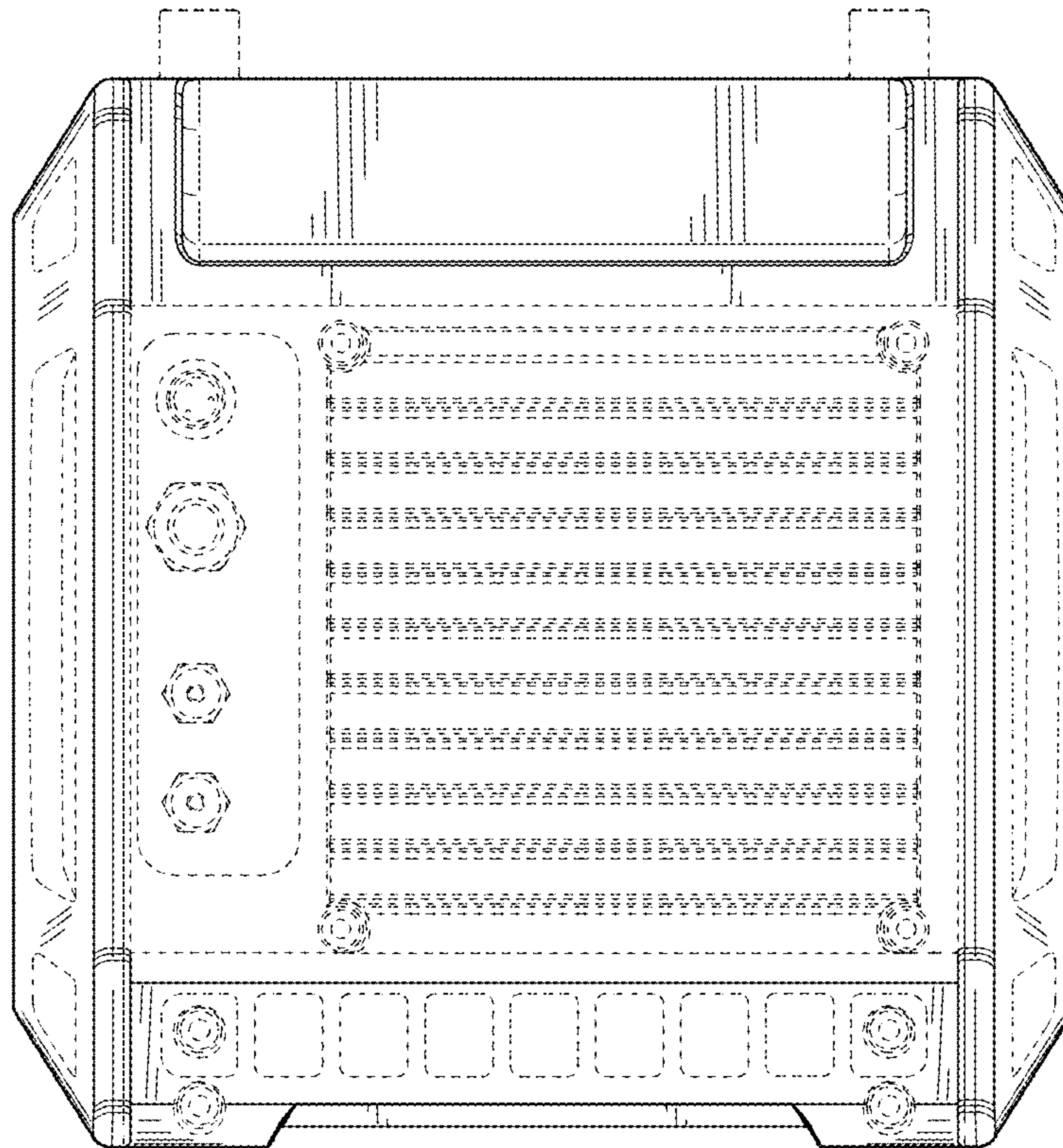


Fig. 3

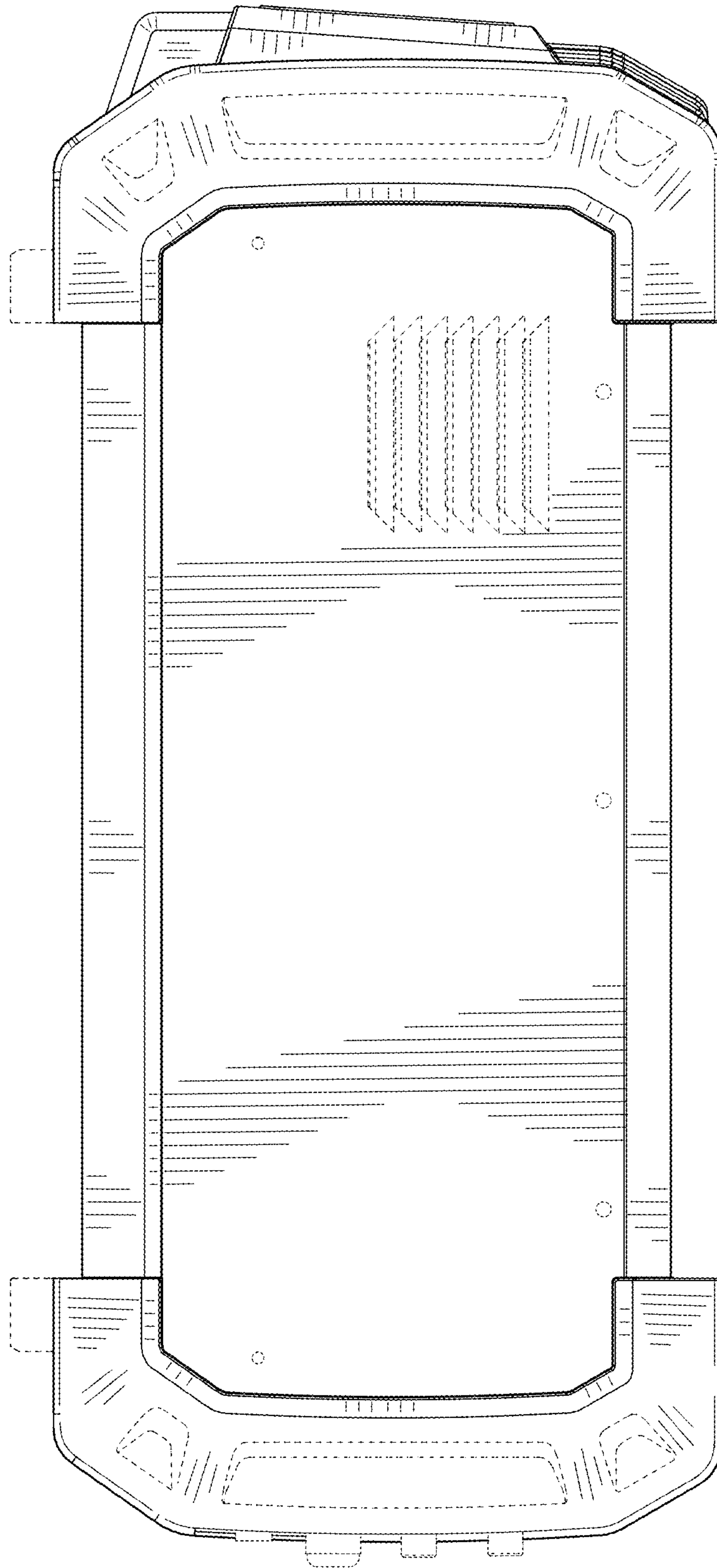


Fig. 4

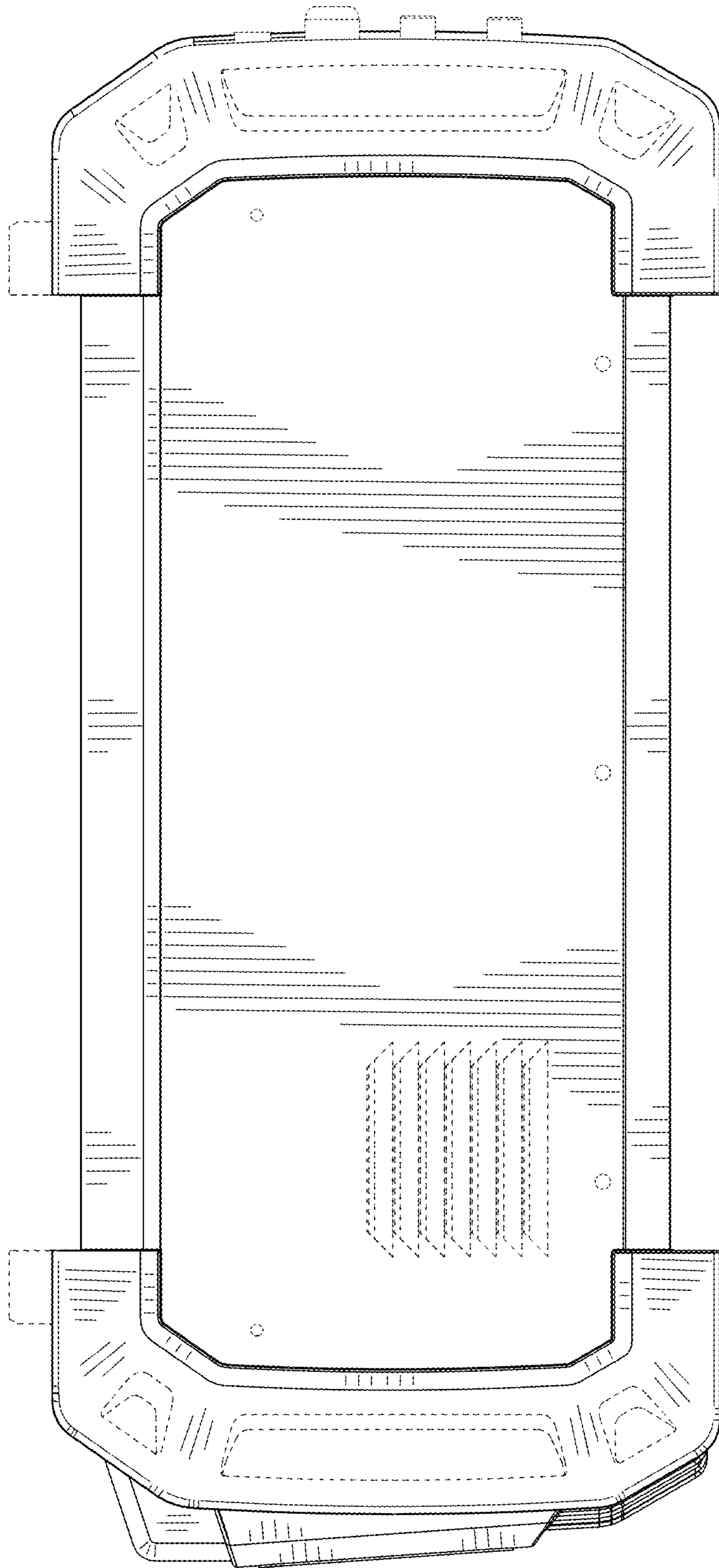


Fig. 5

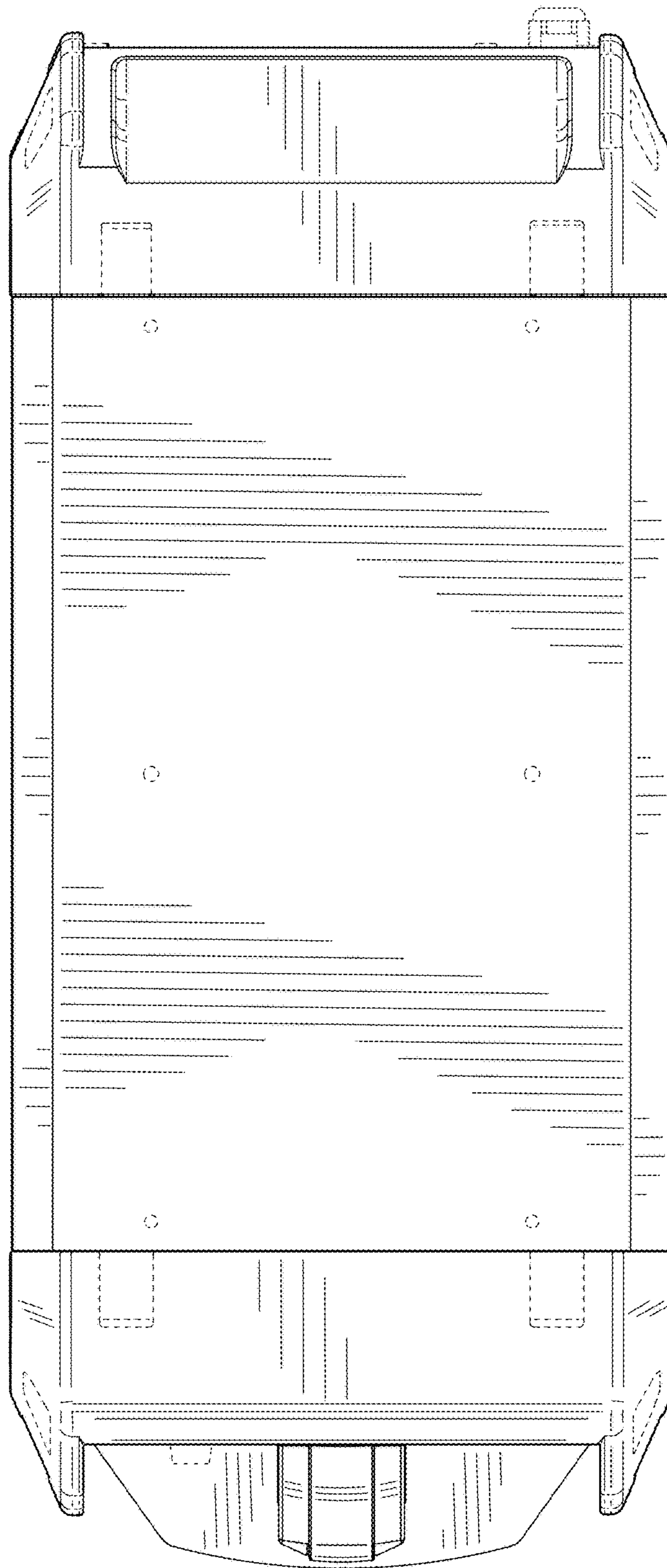


Fig. 6

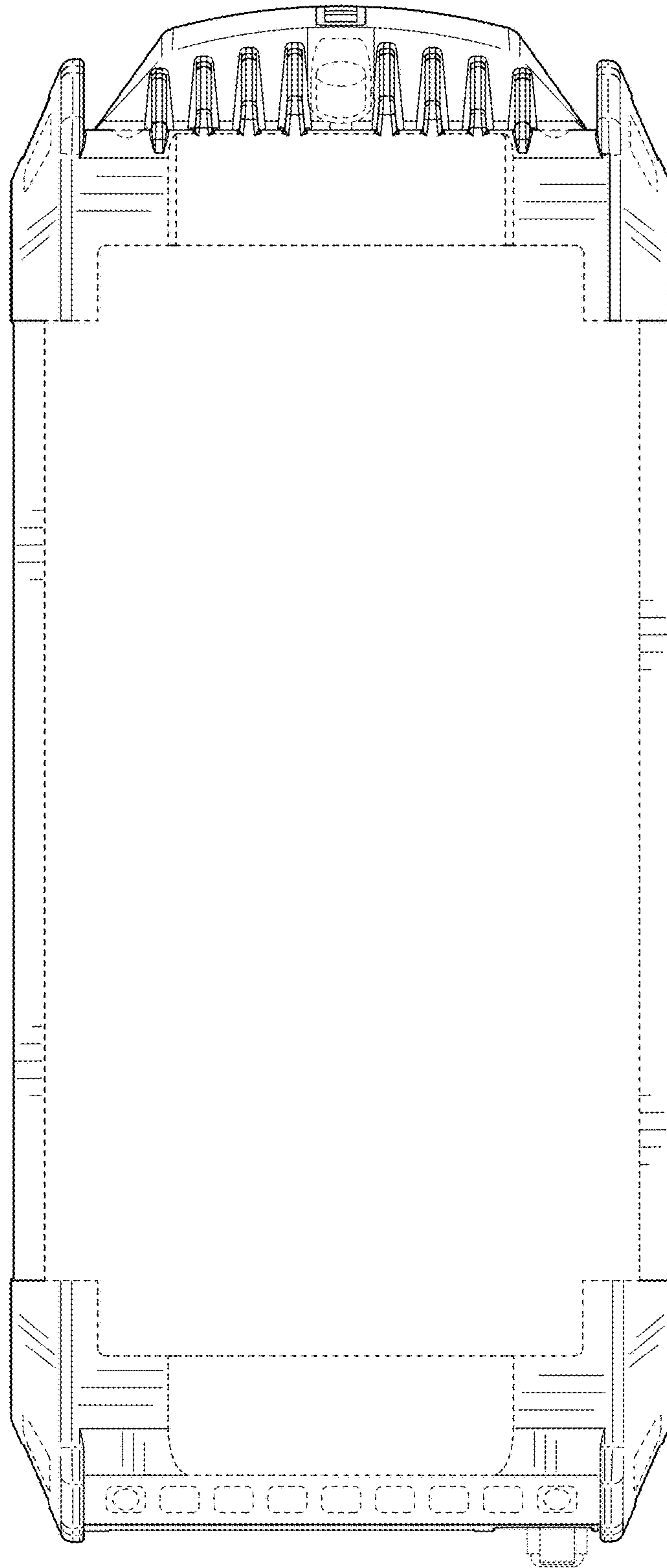


Fig. 7