



US00D855665S

(12) **United States Design Patent**  
**Futagami**

(10) **Patent No.:** **US D855,665 S**

(45) **Date of Patent:** **\*\* Aug. 6, 2019**

(54) **ROOF PANEL FOR CABIN OF WORKING MACHINE**

(71) Applicant: **KUBOTA CORPORATION**, Osaka (JP)

(72) Inventor: **Gen Futagami**, Sakai (JP)

(73) Assignee: **Kubota Corporation**, Osaka (JP)

(\*\*) Term: **15 Years**

(21) Appl. No.: **35/504,005**

(22) Filed: **Nov. 2, 2017**

(80) **Hague Agreement Data**

Int. Filing Date: **Nov. 2, 2017**

Int. Reg. No.: **DM/098430**

Int. Reg. Date: **Nov. 2, 2017**

Int. Reg. Pub. Date: **Nov. 24, 2017**

(51) **LOC (12) Cl.** ..... **15-03**

(52) **U.S. Cl.**  
USPC ..... **D15/33**  
CPC ..... **B60H 1/00378** (2013.01)

(58) **Field of Classification Search**  
USPC ..... D15/10, 14, 15, 22-26, 33; 296/190.09,  
296/211, 210, 102, 208  
CPC ..... B60H 1/00378; B60H 1/00564; B62D  
29/043; B62D 33/0617  
See application file for complete search history.

(56) **References Cited**

U.S. PATENT DOCUMENTS

D274,524 S \* 7/1984 Koval ..... D15/23  
D329,435 S \* 9/1992 Katoh ..... D15/23  
D387,068 S \* 12/1997 Kato ..... D15/23  
D391,581 S \* 3/1998 Kato ..... D15/23  
5,921,619 A \* 7/1999 Cederberg ..... B60H 1/00378  
296/190.09  
D440,234 S \* 4/2001 Katoh ..... D15/23  
6,309,012 B1 \* 10/2001 Fryk ..... B60H 1/00378  
296/102

6,780,097 B2 \* 8/2004 Shuttleworth ..... B60H 1/00378  
454/136  
D498,245 S \* 11/2004 Kuwae ..... D15/23  
D515,105 S \* 2/2006 Wang ..... D15/22  
D519,131 S \* 4/2006 Kuwae ..... D15/23  
D527,026 S \* 8/2006 Kuwae ..... D15/23  
7,252,585 B2 \* 8/2007 Ichikawa ..... B60H 1/00378  
454/137  
D555,674 S \* 11/2007 Kuwae ..... D15/23  
D564,544 S \* 3/2008 Higashikawa ..... D15/23  
7,484,793 B2 \* 2/2009 Baro ..... B60H 1/00378  
296/190.09  
D599,826 S \* 9/2009 Kuwae ..... D15/23  
D600,255 S \* 9/2009 Kushita ..... D15/23  
D602,047 S \* 10/2009 Kushita ..... D15/23  
D604,749 S \* 11/2009 Kushita ..... D15/23  
D668,270 S \* 10/2012 Kushita ..... D15/23  
D674,411 S \* 1/2013 Masumoto ..... D15/30

(Continued)

FOREIGN PATENT DOCUMENTS

JP 1310434 S 9/2007  
JP 1329578 S 5/2008

(Continued)

*Primary Examiner* — Richard E Chilcot

(74) *Attorney, Agent, or Firm* — The Webb Law Firm

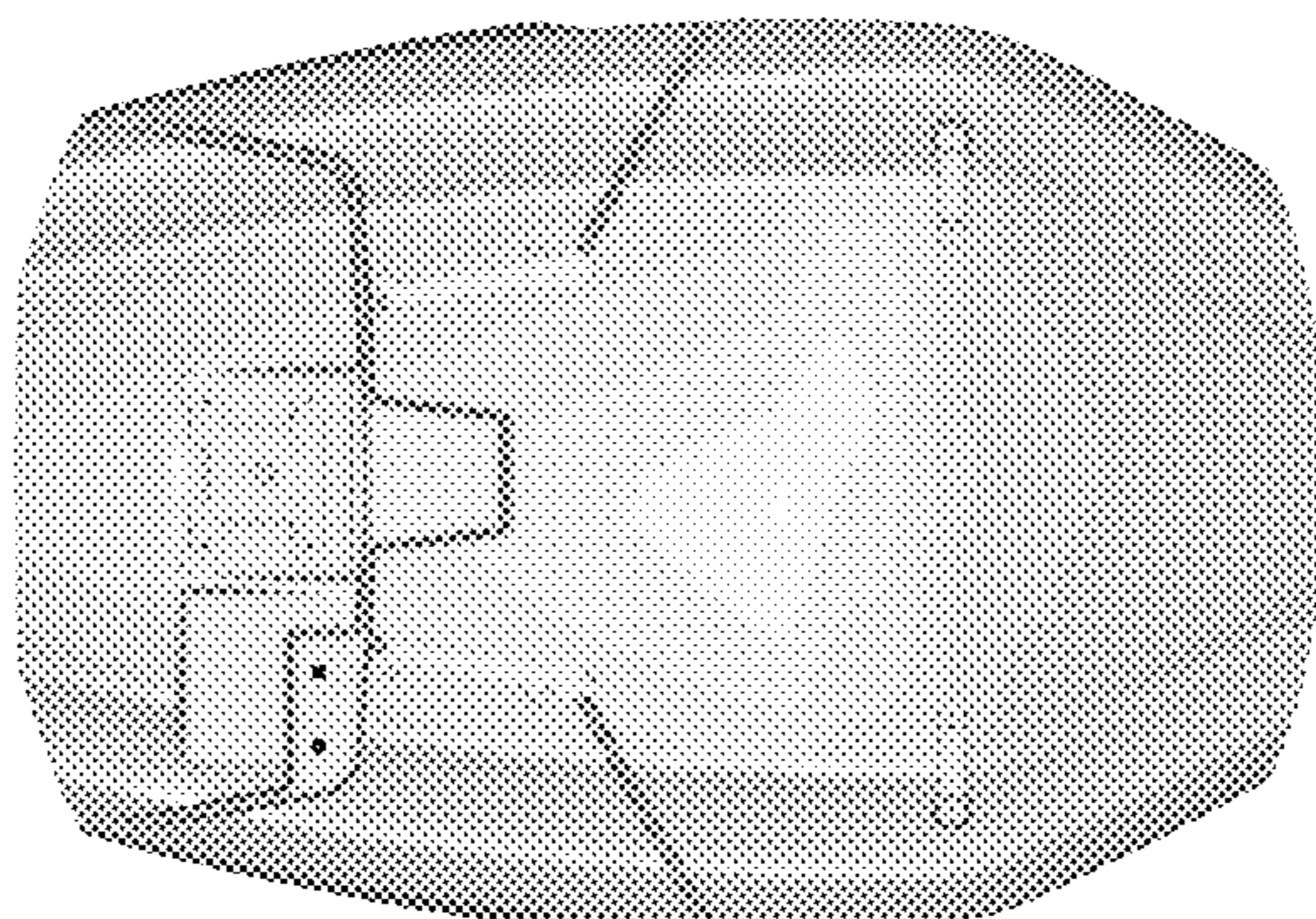
(57) **CLAIM**

The ornamental design for a roof panel for cabin of working machine, as shown and described.

**DESCRIPTION**

**1.1** is a front elevation view of a roof panel for cabin of working machine, showing my new design;  
**1.2** is a rear elevation view thereof;  
**1.3** is a left side elevation view thereof;  
**1.4** is a right side elevation view thereof;  
**1.5** is a top view thereof;  
**1.6** is a bottom view thereof;  
**1.7** is an upper right rear perspective view thereof; and  
**1.8** is an upper left front perspective view thereof.

**1 Claim, 8 Drawing Sheets**



(56)

**References Cited**

U.S. PATENT DOCUMENTS

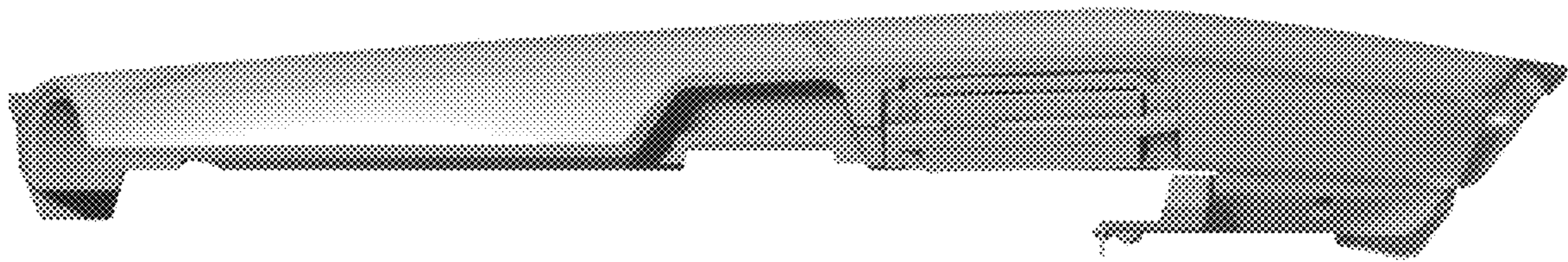
D697,536	S *	1/2014	Nuebel .....	D15/23
D709,528	S *	7/2014	Shimomura .....	D15/28
D729,281	S *	5/2015	Carter .....	D15/23
D729,851	S *	5/2015	Kushita .....	D15/23
D748,677	S *	2/2016	Kushita .....	D15/26
D749,645	S *	2/2016	Okuyama .....	D15/26
D752,650	S *	3/2016	Margutti .....	D15/23
D753,730	S *	4/2016	Margutti .....	D15/23
D754,210	S *	4/2016	Margutti .....	D15/23
D756,421	S *	5/2016	Okuyama .....	D15/26
D759,129	S *	6/2016	Kushita .....	D15/31
D759,730	S *	6/2016	Okuyama .....	D15/26
D777,798	S *	1/2017	Yetkin .....	D15/23
D783,059	S *	4/2017	Okuyama .....	D15/23
D784,422	S *	4/2017	Okuyama .....	D15/23
D785,050	S *	4/2017	Okuyama .....	D15/23
D785,051	S *	4/2017	Okuyama .....	D15/23
2007/0210618	A1 *	9/2007	Hill .....	B60H 1/00378 296/190.09
2013/0119712	A1 *	5/2013	Salvini .....	B60J 7/1642 296/210

FOREIGN PATENT DOCUMENTS

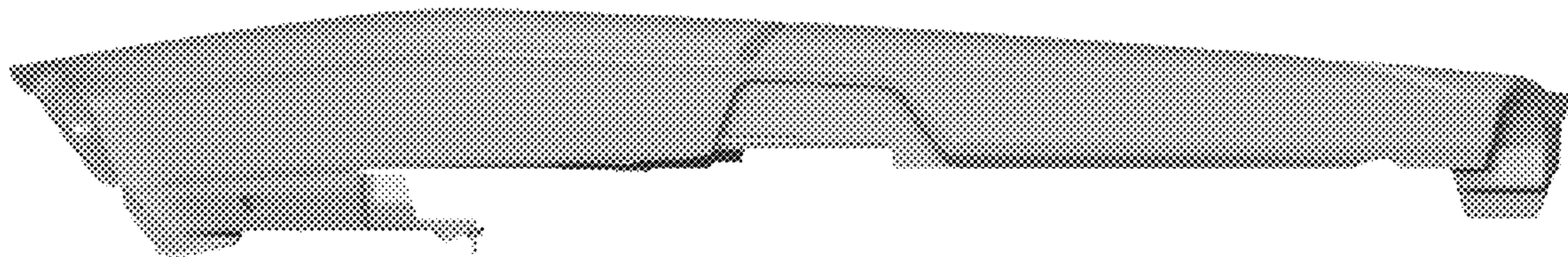
JP	1330341	S	5/2008
JP	1386027	S	4/2010
JP	1526336	S	6/2015
JP	1473076	S	6/2016

\* cited by examiner

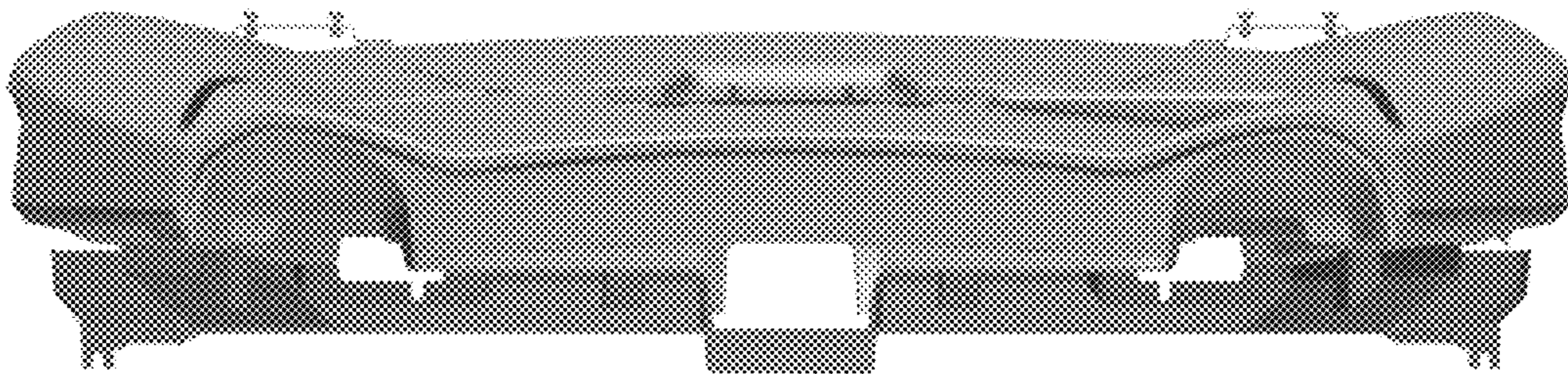
1.1



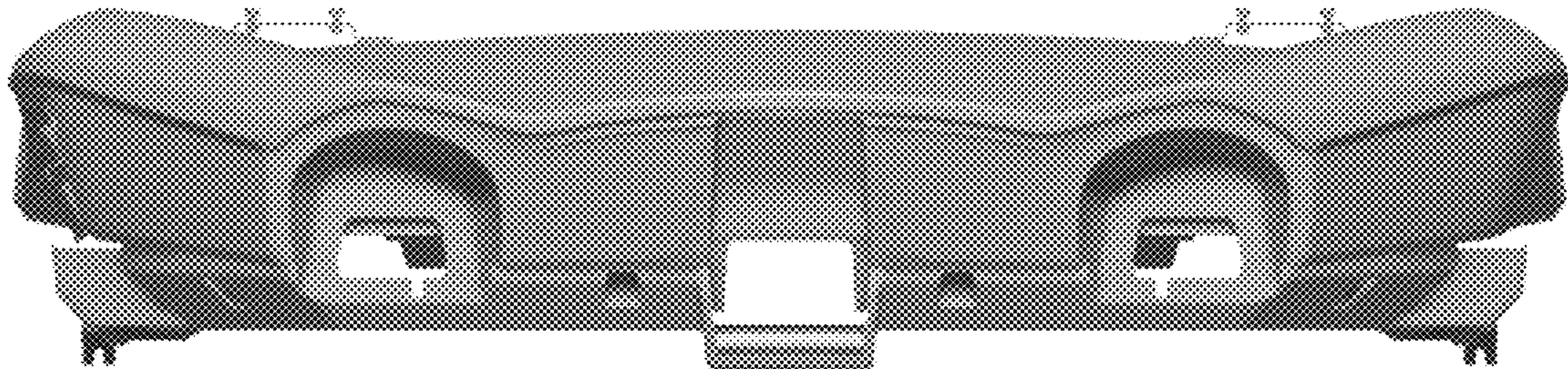
1.2



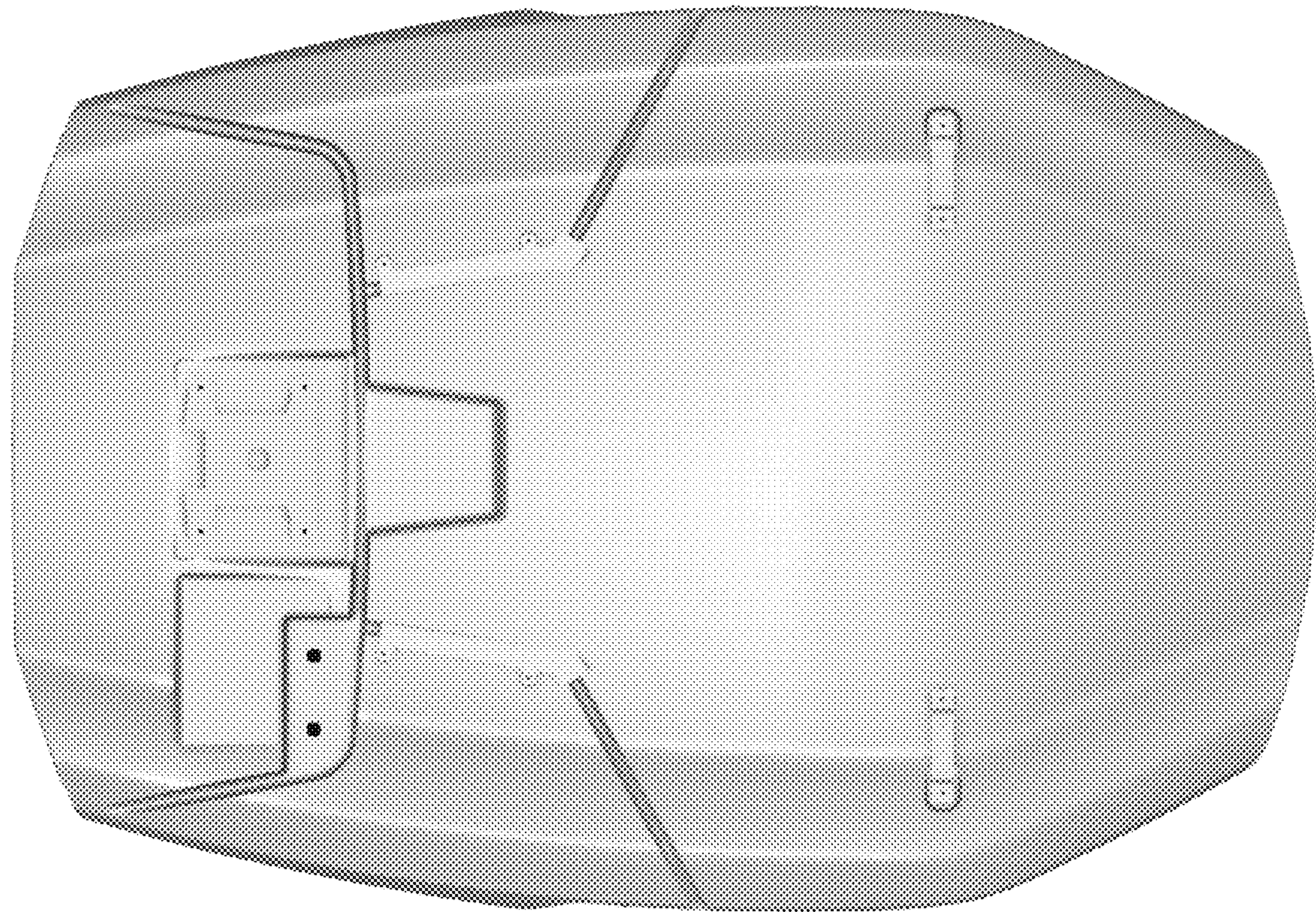
1.3



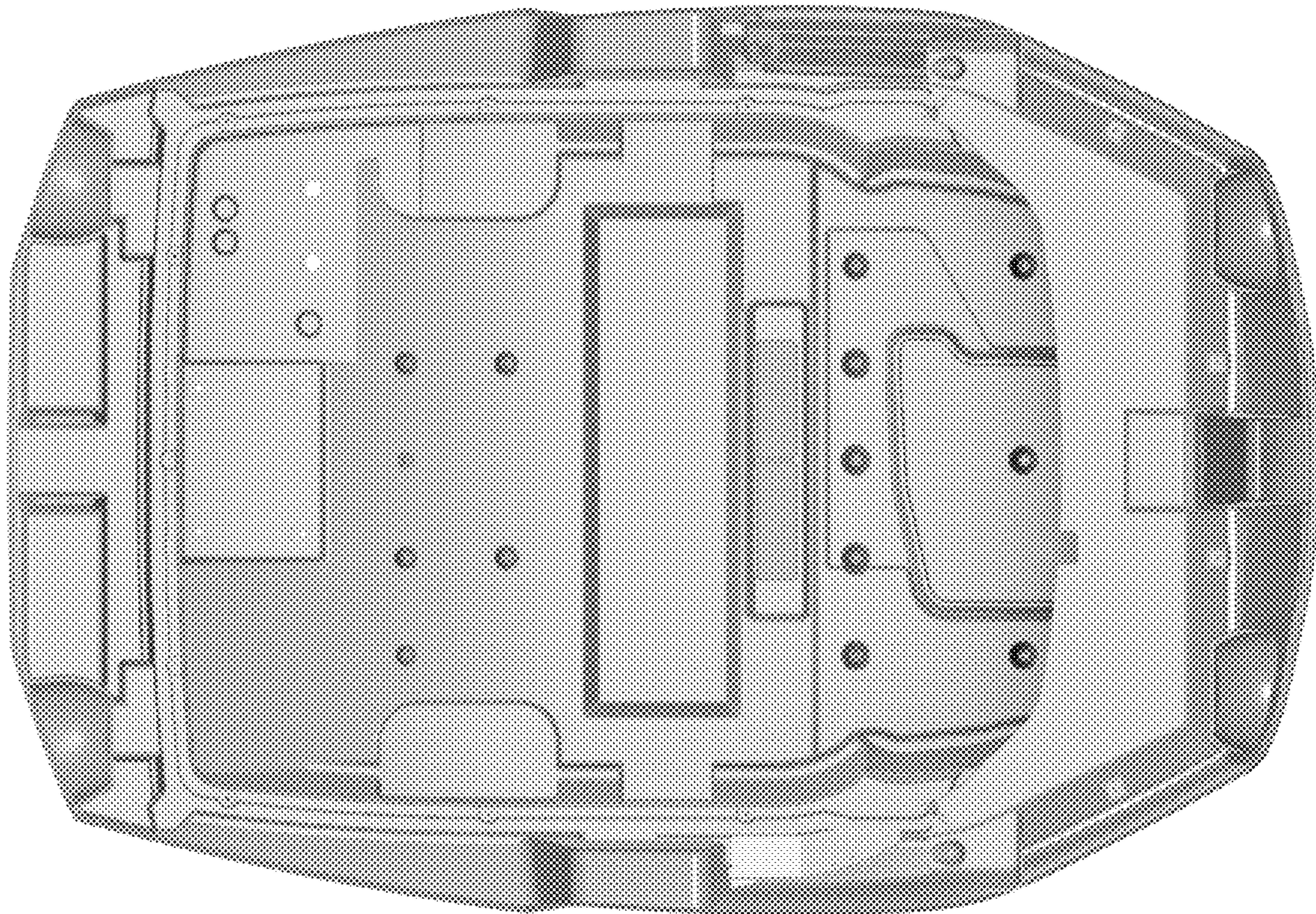
1.4



1.5



1.6





1.7



1.8

