



US00D855664S

(12) **United States Design Patent**  
**Okuyama et al.**

(10) **Patent No.:** **US D855,664 S**

(45) **Date of Patent:** **\*\* Aug. 6, 2019**

(54) **BONNET FOR A TRACTOR**

(71) Applicant: **Yanmar Co., Ltd.**, Osaka-shi, Osaka-fu (JP)

(72) Inventors: **Kiyoyuki Okuyama**, Yamagata (JP);  
**Kenji Komori**, Osaka (JP); **Akihiro Kubo**, Osaka (JP)

(73) Assignee: **YANMAR CO., LTD.**, Osaka (JP)

(\*\*) Term: **15 Years**

(21) Appl. No.: **29/646,176**

(22) Filed: **May 2, 2018**

(30) **Foreign Application Priority Data**

Nov. 9, 2017 (JP) ..... 2017-025035

(51) **LOC (12) Cl.** ..... **15-03**

(52) **U.S. Cl.**  
USPC ..... **D15/31**

(58) **Field of Classification Search**  
USPC ..... D15/10, 11, 13-17, 28, 22-26, 30, 31;  
D12/173; 56/13.3, 13.4, 15.8, 15.9,  
56/320.1; 180/89.1, 89.12, 900, 69.2,  
180/68.1, 69.1  
CPC ..... B62D 49/00-085; B62D 25/10; B62D  
25/00; B60R 19/52; B60R 21/38  
See application file for complete search history.

(56) **References Cited**

**U.S. PATENT DOCUMENTS**

- D521,532 S \* 5/2006 Higashikawa ..... D15/31
- D533,882 S \* 12/2006 Higashikawa ..... D15/31
- D591,777 S \* 5/2009 Kokitkar ..... D15/31
- D620,503 S \* 7/2010 Krogh ..... D15/31
- D620,955 S \* 8/2010 Krogh ..... D15/31
- D631,489 S \* 1/2011 Booth ..... D15/31
- D632,312 S \* 2/2011 Booth ..... D15/31

- D646,305 S \* 10/2011 Krogh ..... D15/31
- D655,317 S \* 3/2012 Hagele ..... D15/31
- D655,318 S \* 3/2012 Hagele ..... D15/31
- D661,323 S \* 6/2012 Krogh ..... D15/31
- D668,695 S \* 10/2012 Ringer ..... D15/31
- D675,233 S \* 1/2013 Kushita ..... D15/31
- D676,466 S \* 2/2013 Ewringmann ..... D15/20
- D706,841 S \* 6/2014 Shimomura ..... D15/31
- D707,729 S \* 6/2014 Jackson ..... D15/31
- D707,730 S \* 6/2014 Jackson ..... D15/31
- D714,838 S \* 10/2014 Shimomura ..... D15/31
- D716,348 S \* 10/2014 Ryan ..... D15/31
- D716,846 S \* 11/2014 Carter ..... D15/31
- D733,767 S \* 7/2015 Kushita ..... D15/31
- D753,194 S \* 4/2016 Jackson ..... D15/31
- D765,740 S \* 9/2016 Jackson ..... D15/31
- D766,340 S \* 9/2016 Jackson ..... D15/31
- D766,341 S \* 9/2016 Jacobsthal ..... D15/31
- D768,210 S \* 10/2016 Jacobsthal ..... D15/31

(Continued)

*Primary Examiner* — Mark A Goodwin

(74) *Attorney, Agent, or Firm* — Norton Rose Fulbright US LLP

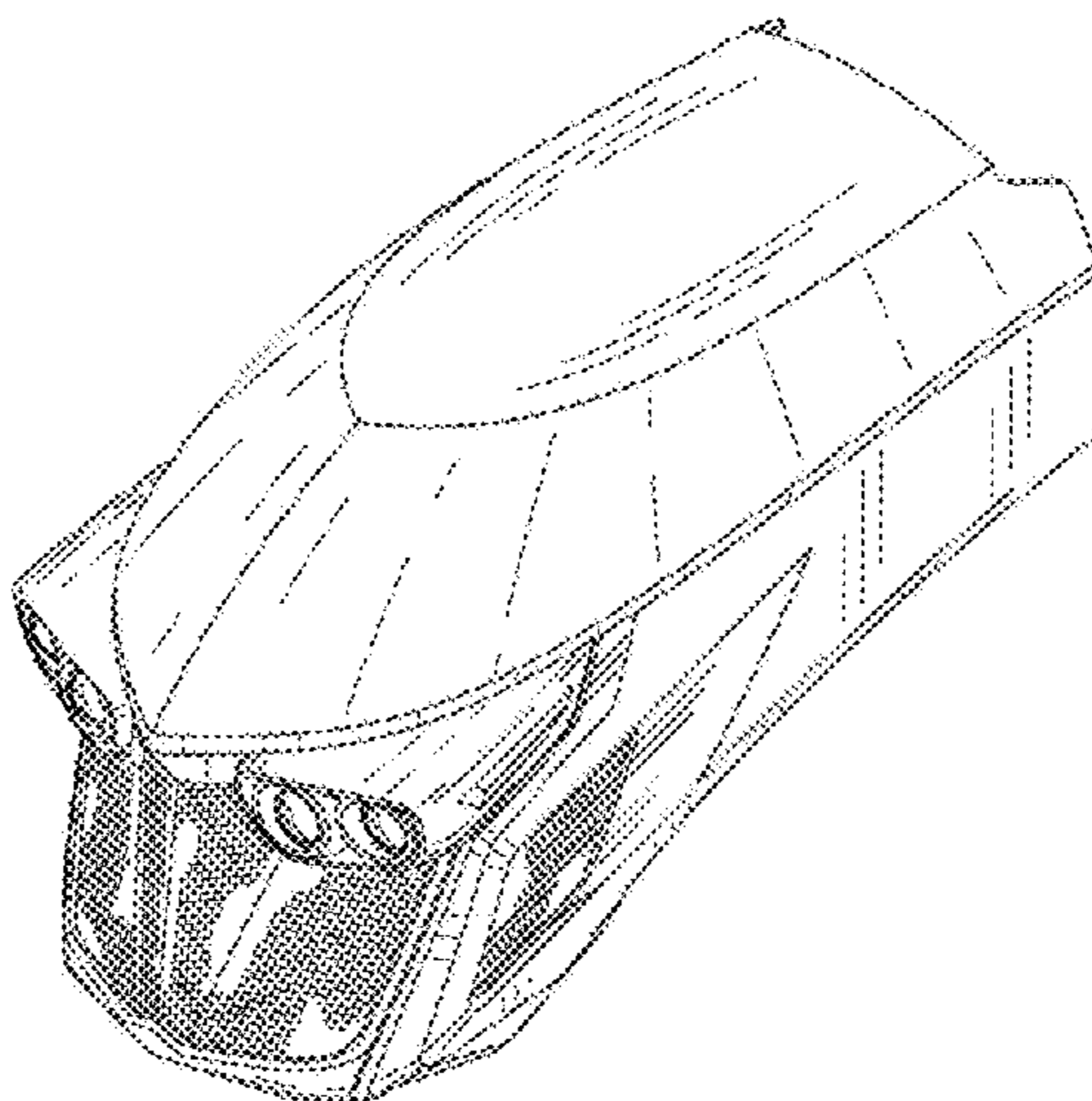
(57) **CLAIM**

The ornamental design for a bonnet for a tractor, as shown and described.

**DESCRIPTION**

FIG. 1 is a front elevational view of a bonnet for a tractor showing our new design, the rear elevational view being a mirror image of the front elevational view; FIG. 2 is a left side elevational view thereof; FIG. 3 is a right side elevational view thereof; FIG. 4 is a top plan view thereof; FIG. 5 is a bottom plan view thereof; FIG. 6 is a perspective view thereof, taken from the top, front and left side of the bonnet for a tractor; and, FIG. 7 is a perspective view thereof, taken from the bottom, rear and left side of the bonnet for a tractor.

**1 Claim, 4 Drawing Sheets**



(56)

**References Cited**

U.S. PATENT DOCUMENTS

D777,219	S	*	1/2017	Hanke .....	D15/31
D777,220	S	*	1/2017	Powell .....	D15/31
D778,963	S	*	2/2017	Yang .....	D15/31
D785,681	S	*	5/2017	Okuyama .....	D15/31
D804,539	S	*	12/2017	Okuyama .....	D15/31

\* cited by examiner

FIG. 1

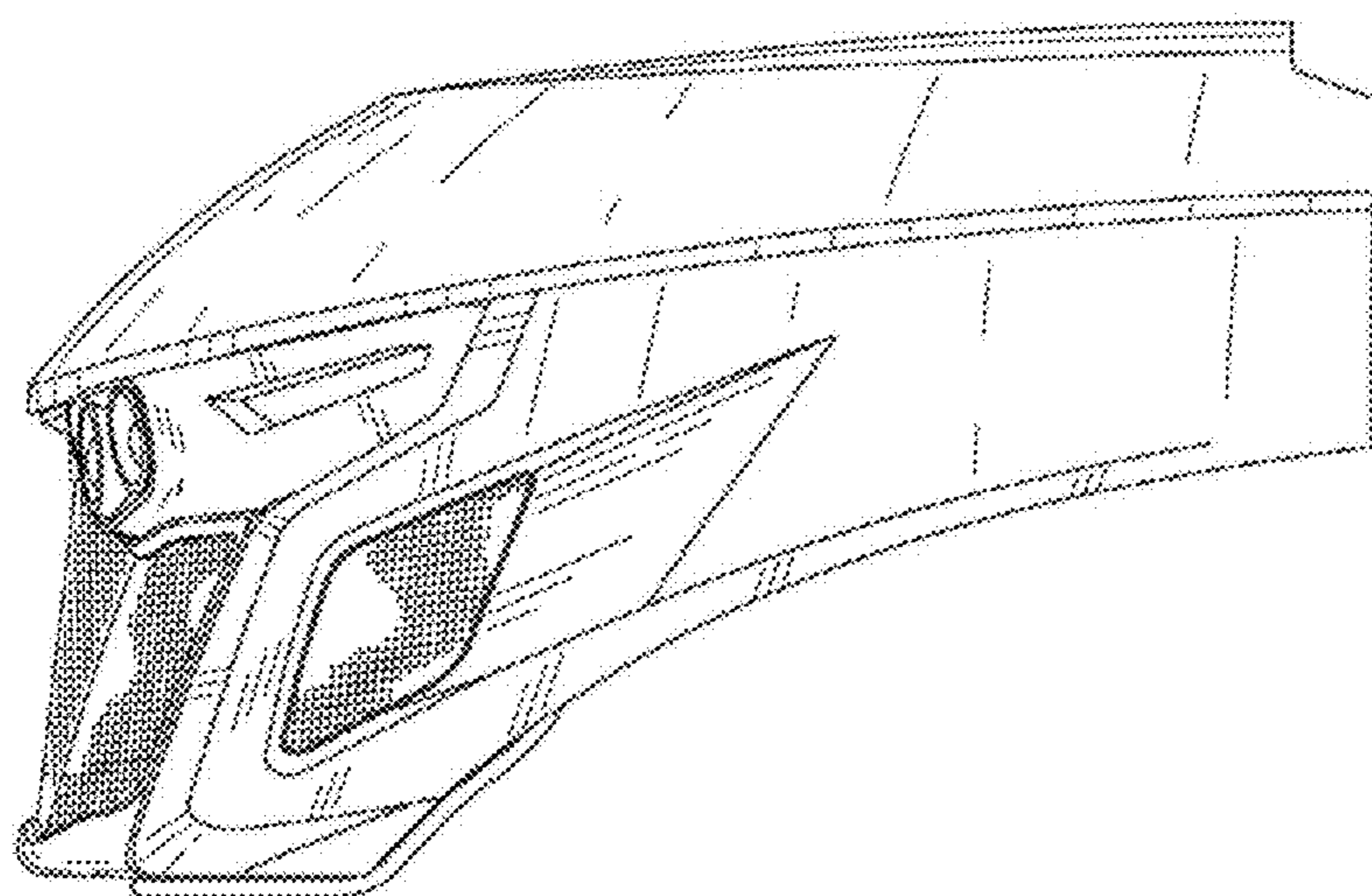


FIG. 2

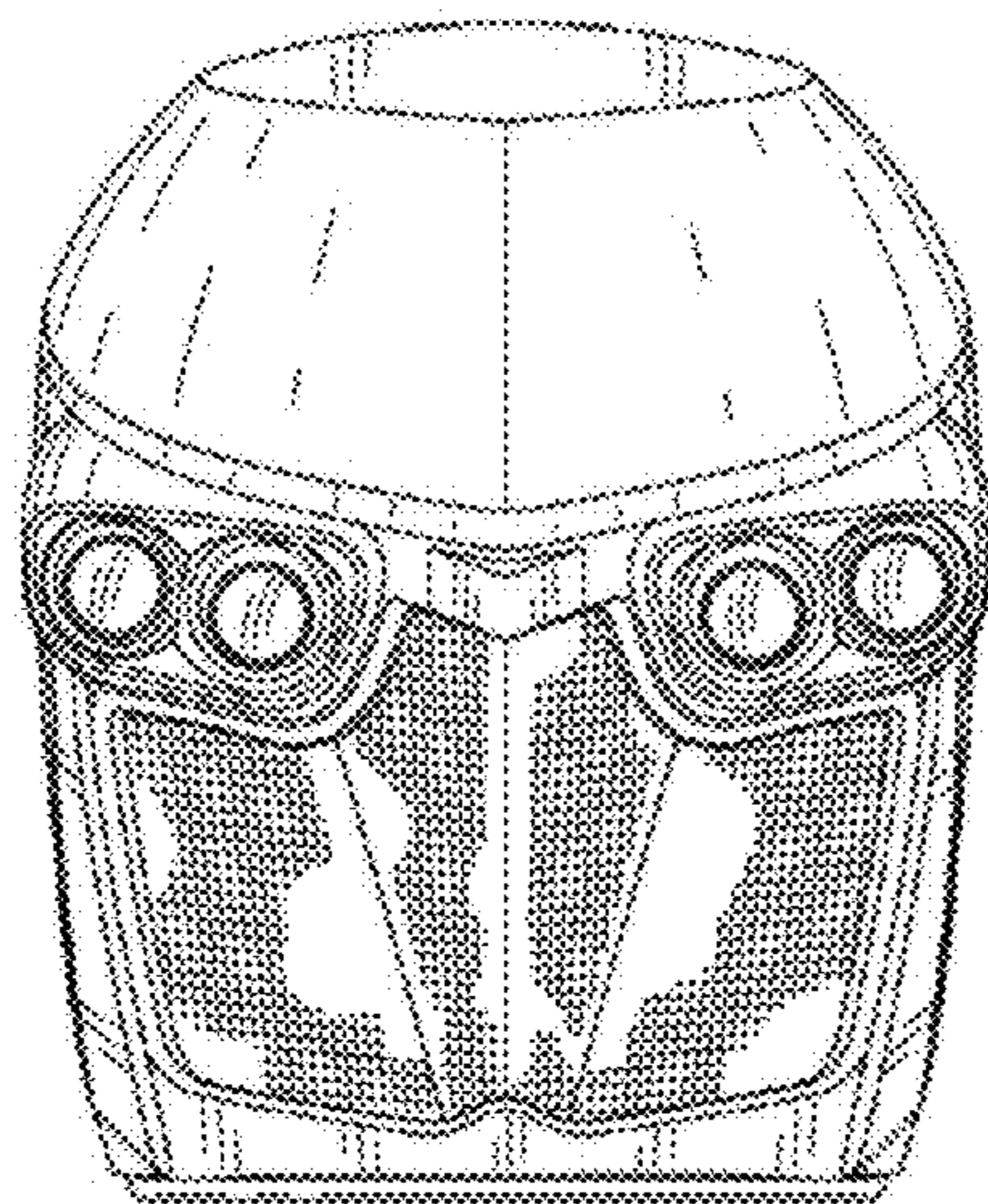


FIG. 3

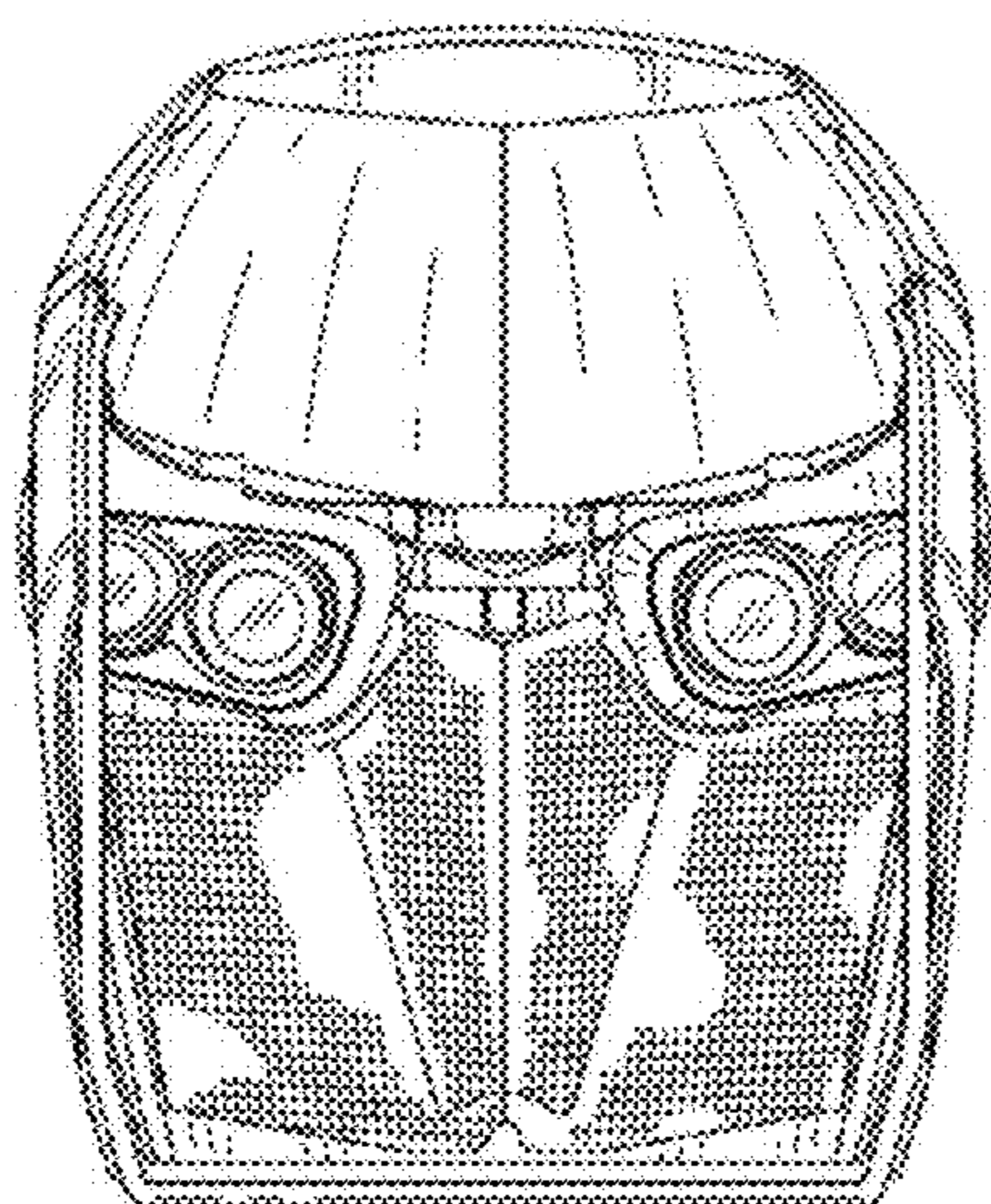


FIG. 4

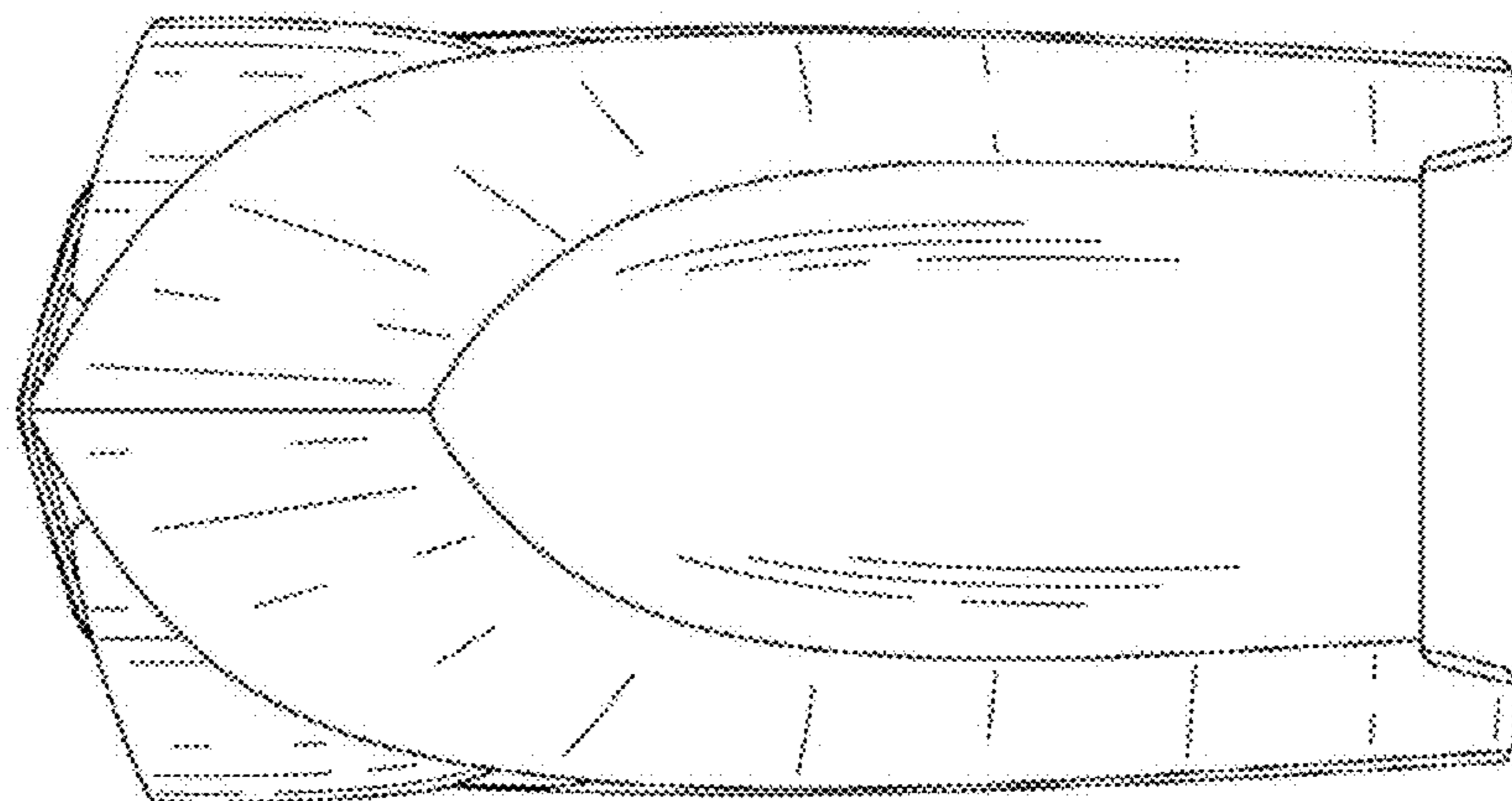


FIG. 5

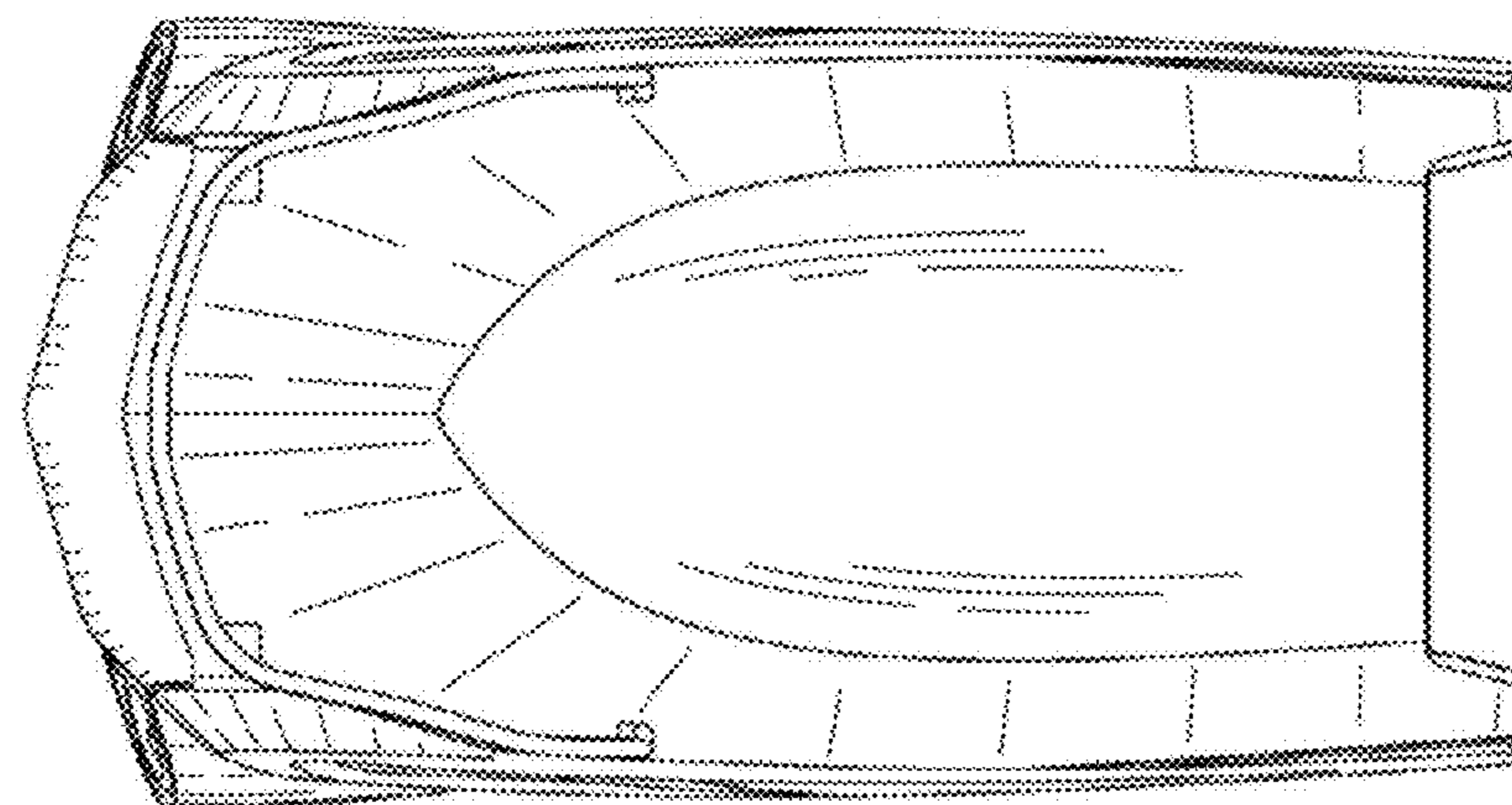


FIG. 6

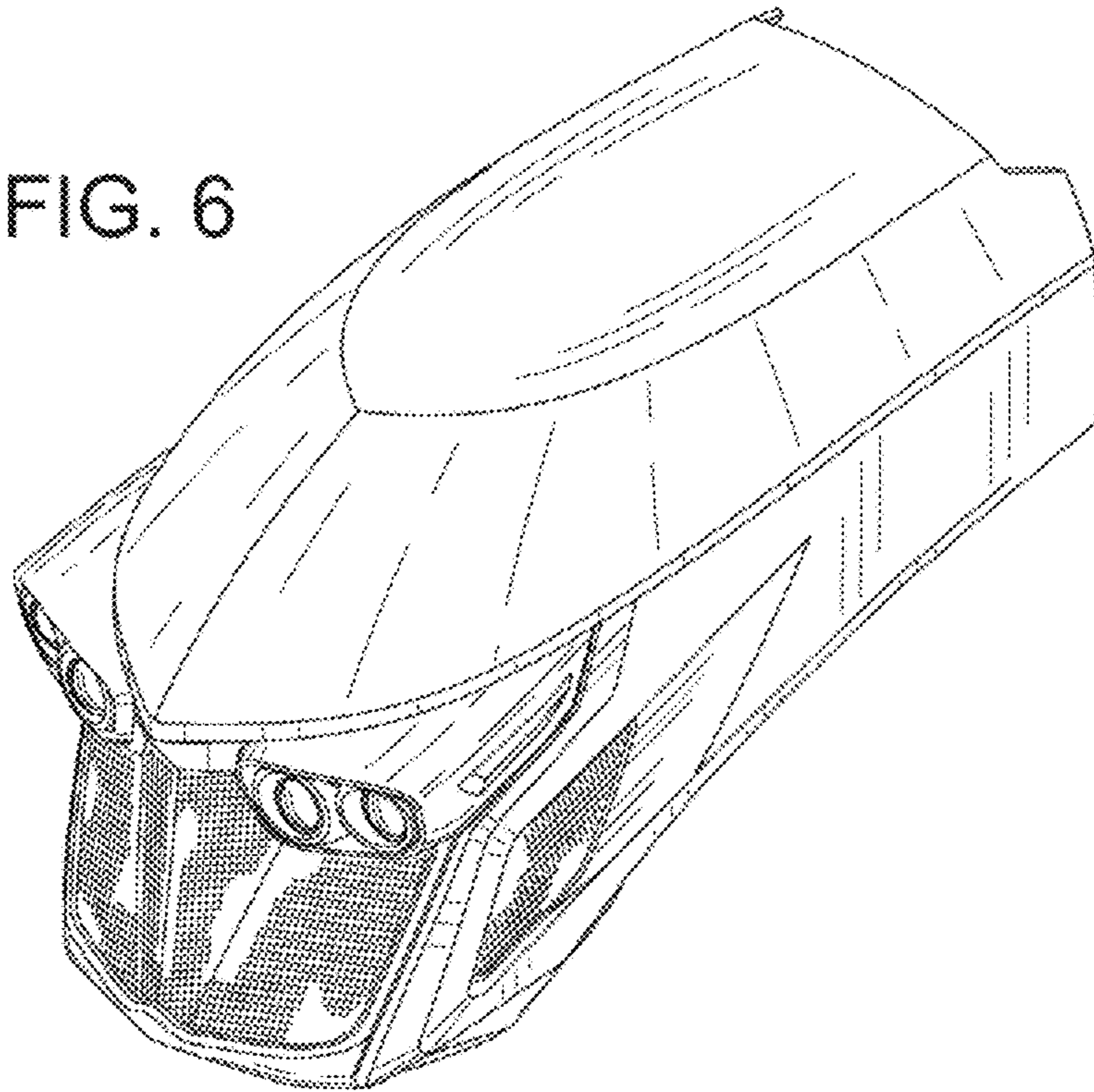


FIG. 7

