



US00D855663S

(12) **United States Design Patent** (10) **Patent No.:** **US D855,663 S**
Cadalora et al. (45) **Date of Patent:** **** Aug. 6, 2019**

(54) **ROOF OF AN AGRICULTURAL WORK VEHICLE**

(71) Applicant: **CNH Industrial America LLC**, New Holland, PA (US)

(72) Inventors: **Alessio Cadalora**, Modena (IT); **Jakub Maria Sulikowski**, Modena (IT); **Stefano Fincato**, Turin (IT); **Tiziano Salvini**, Milan (IT); **Simone Molesini**, Modena (IT)

(73) Assignee: **CNH Industrial America LLC**, New Holland, PA (US)

(**) Term: **15 Years**

(21) Appl. No.: **29/615,143**

(22) Filed: **Aug. 25, 2017**

(51) **LOC (12) Cl.** **15-03**

(52) **U.S. Cl.**
USPC **D15/30**

(58) **Field of Classification Search**
USPC D15/28, 30, 31, 22-26; D34/37;
180/89.11, 89.12, 89.13, 89.19, 900
CPC .. B66C 13/54; E02F 9/16; E02F 9/163; E02F
9/06; B62D 33/0617; B62D
49/00-49/085; B62D 33/06-33/073; B60J
7/00; B60J 1/004; B60J 1/02; B60J 1/04;
B60J 5/0487

See application file for complete search history.

(56) **References Cited**

U.S. PATENT DOCUMENTS

D398,616 S *	9/1998	Kwak	D15/30
D463,461 S *	9/2002	Yanagida	D15/30
D523,029 S *	6/2006	Crawford	D15/30
D531,647 S *	11/2006	Stender	D15/30
D541,825 S *	5/2007	Pettersson	D15/30
D541,826 S *	5/2007	Brush	D15/30

D544,889 S *	6/2007	Milburn, Jr.	D15/30
D561,205 S *	2/2008	Pettersson	D15/30
D579,028 S *	10/2008	VanDeVeer	D15/30
D603,881 S *	11/2009	Tamplain, III	D15/30
D605,207 S *	12/2009	Menges	D15/30
D614,674 S *	4/2010	Hobenshield	D15/30
D625,741 S *	10/2010	Seidel	D15/30
D635,156 S *	3/2011	Berning	D15/30
D636,795 S *	4/2011	Yamamoto	D15/28
D637,630 S *	5/2011	Yamamoto	D15/30
D660,879 S *	5/2012	Laugurette	D15/30
D660,881 S *	5/2012	Bohme	D15/30
D667,851 S *	9/2012	Warr	D15/30
D668,693 S *	10/2012	Ringer	D15/30
D670,745 S *	11/2012	Warr	D15/30
D671,566 S *	11/2012	Fang	D15/30
D684,607 S *	6/2013	Hagura	D15/30

(Continued)

Primary Examiner — Mark A Goodwin

(74) *Attorney, Agent, or Firm* — Rickard K. DeMille;
Rebecca L. Henkel

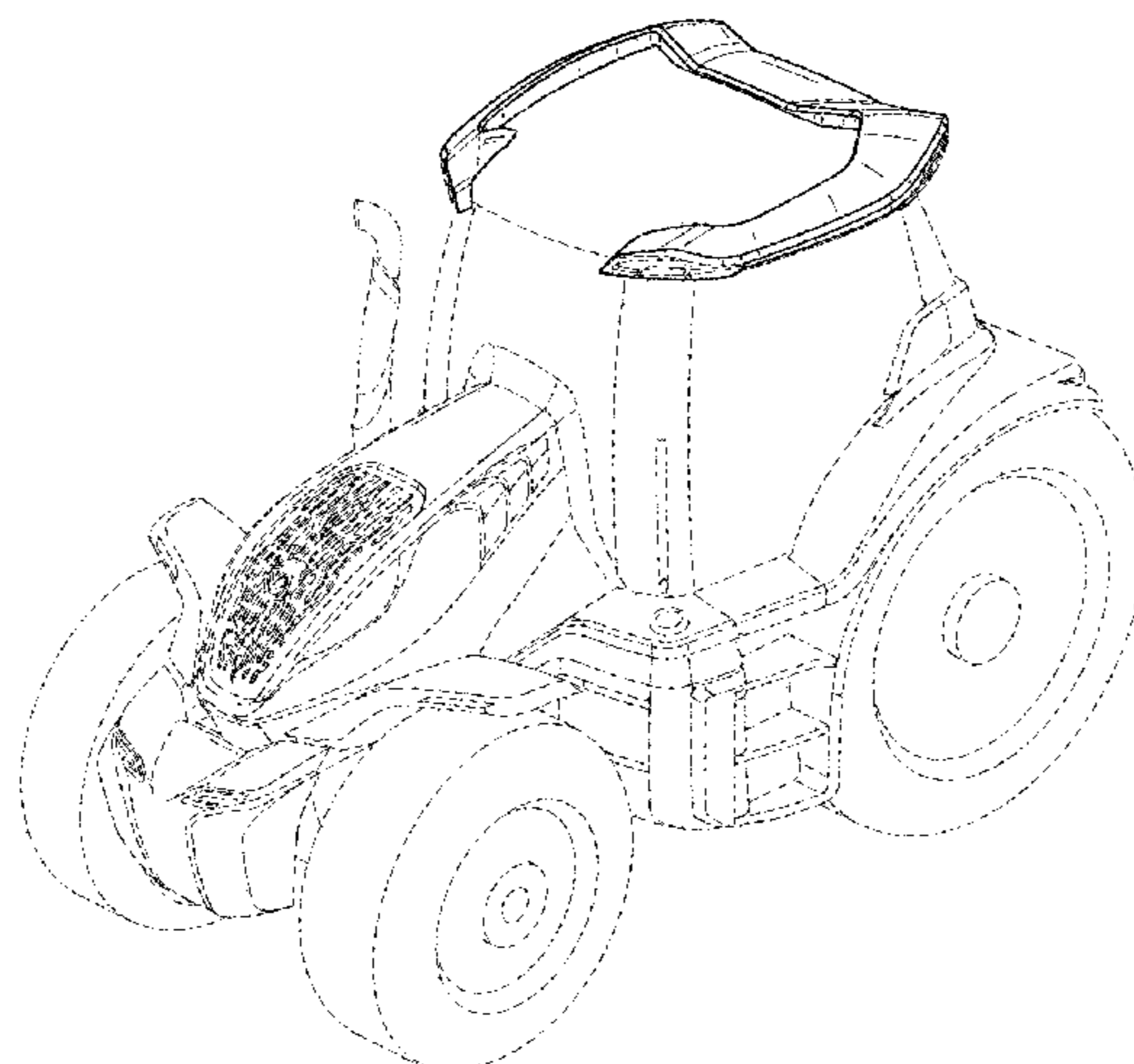
(57) **CLAIM**

The ornamental design for a roof of an agricultural work vehicle, substantially as shown and described.

DESCRIPTION

FIG. 1 is a front perspective view of a roof of an agricultural work vehicle;
FIG. 2 is a rear perspective view of the roof;
FIG. 3 is front perspective view of the roof;
FIG. 4 is a rear perspective view of the roof;
FIG. 5 is a left side view of the roof;
FIG. 6 is a right side view of the roof;
FIG. 7 is a front view of the roof;
FIG. 8 is a back view of the roof;
FIG. 9 is a top view of the roof; and,
FIG. 10 is a bottom view of the roof.
Phantom lines, where utilized, are for illustrative purposes only and form no part of the claimed design.

1 Claim, 8 Drawing Sheets



(56)

References Cited

U.S. PATENT DOCUMENTS

D687,868	S	*	8/2013	Watson	D15/30
D707,728	S	*	6/2014	Imashige	D15/30
D714,837	S	*	10/2014	Jacobsthal	D15/30
D720,370	S	*	12/2014	Carter	D15/30
D736,270	S	*	8/2015	Jackson	D15/30
D749,148	S	*	2/2016	Darekar	D15/30
D755,254	S	*	5/2016	Ewringmann	D15/28
D762,248	S	*	7/2016	Steinhardt	D15/30
D774,111	S	*	12/2016	Underhill	D15/30
D775,244	S	*	12/2016	Hart	D15/30
D777,805	S	*	1/2017	Steinhardt	D15/30
D780,231	S	*	2/2017	Saari	D15/30
D780,232	S	*	2/2017	Saari	D15/30
D780,235	S	*	2/2017	Kim	D15/30
D784,425	S	*	4/2017	Cooksey	D15/30

* cited by examiner

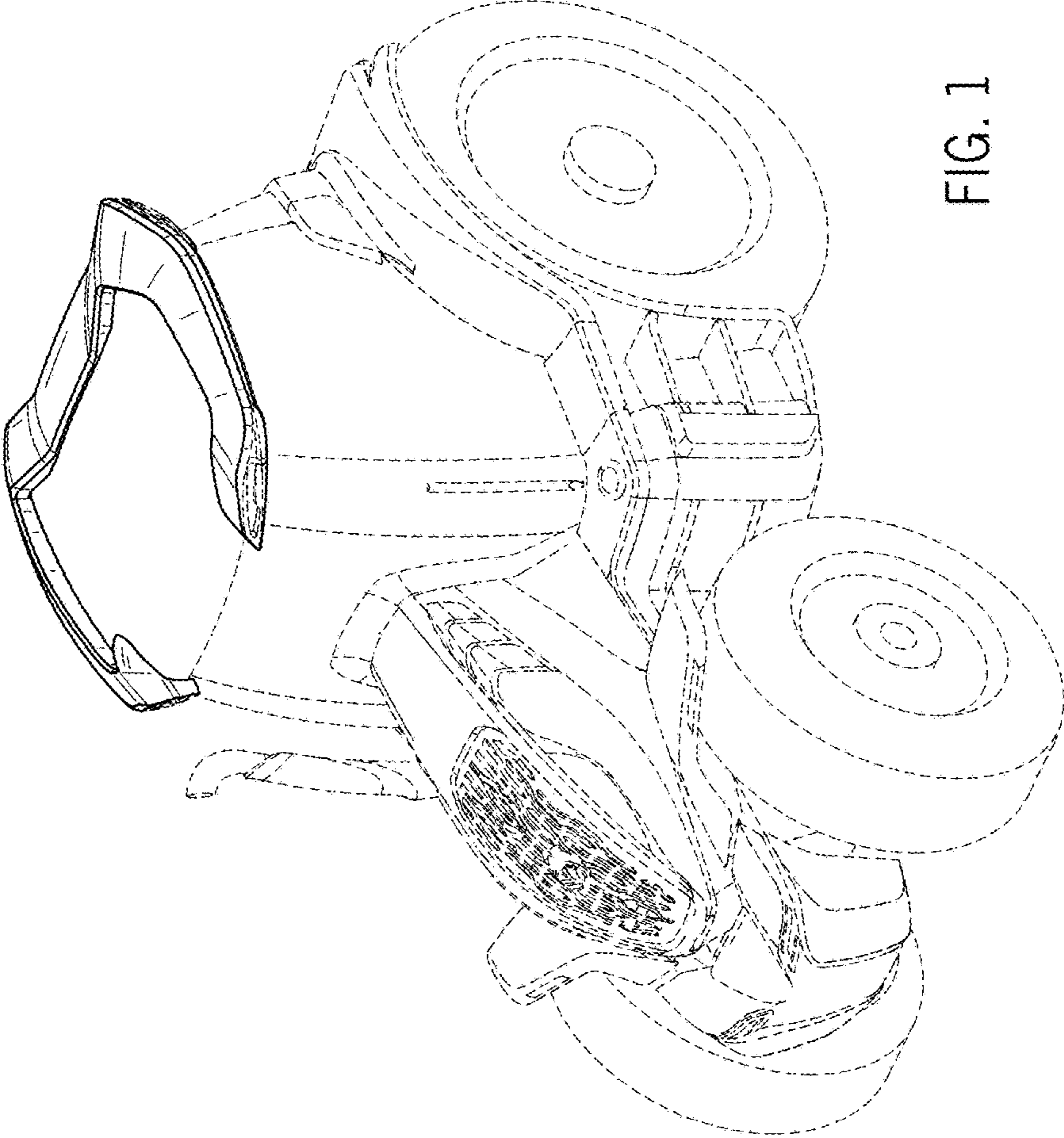


FIG. 1

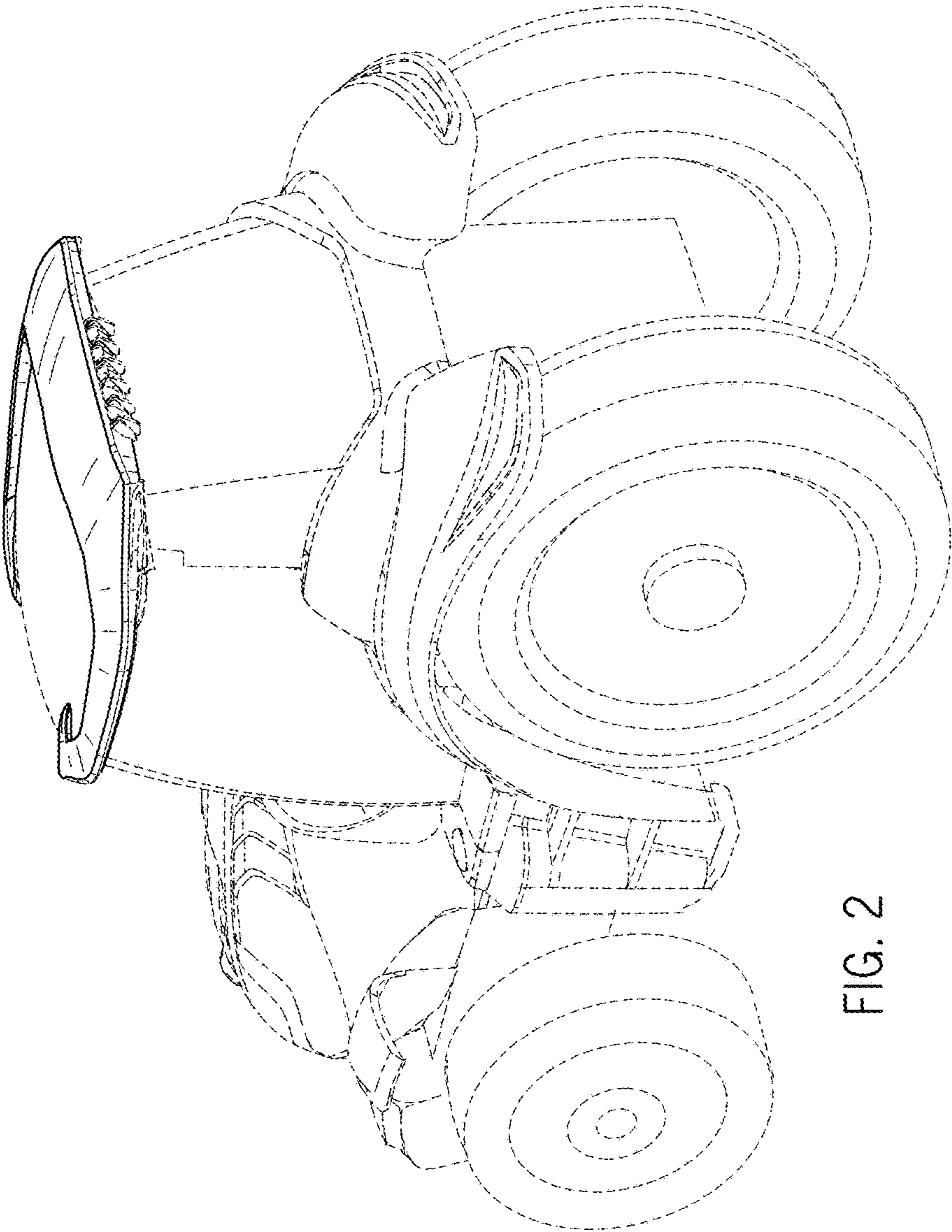


FIG. 2

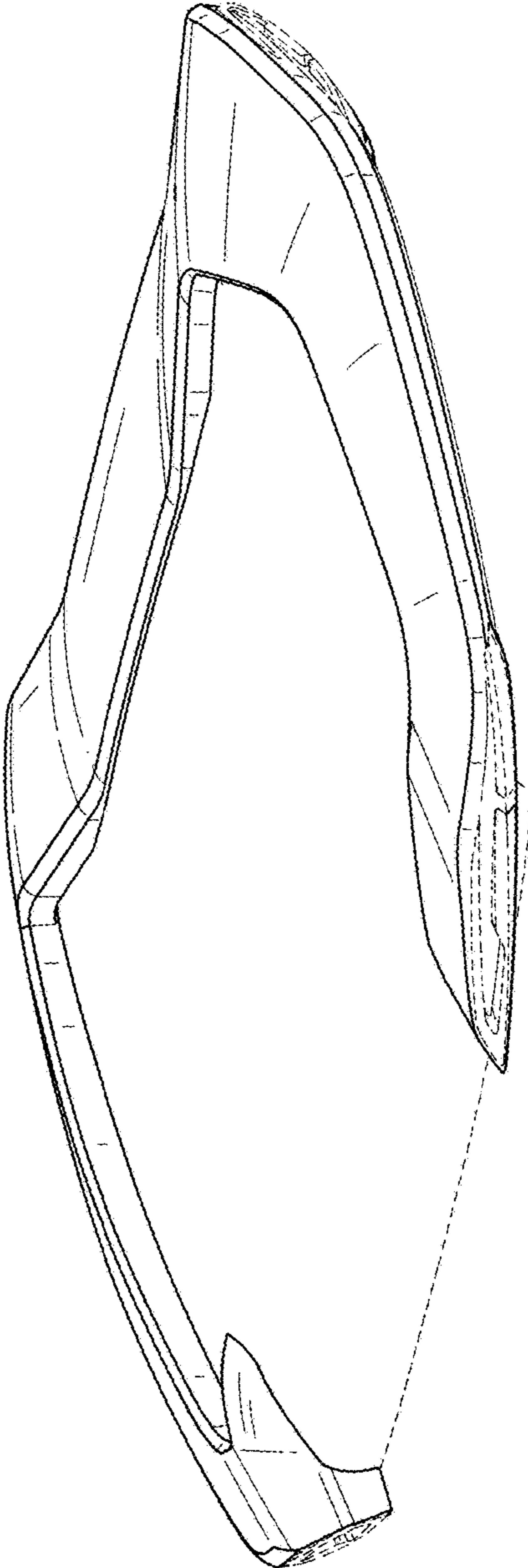


FIG. 3

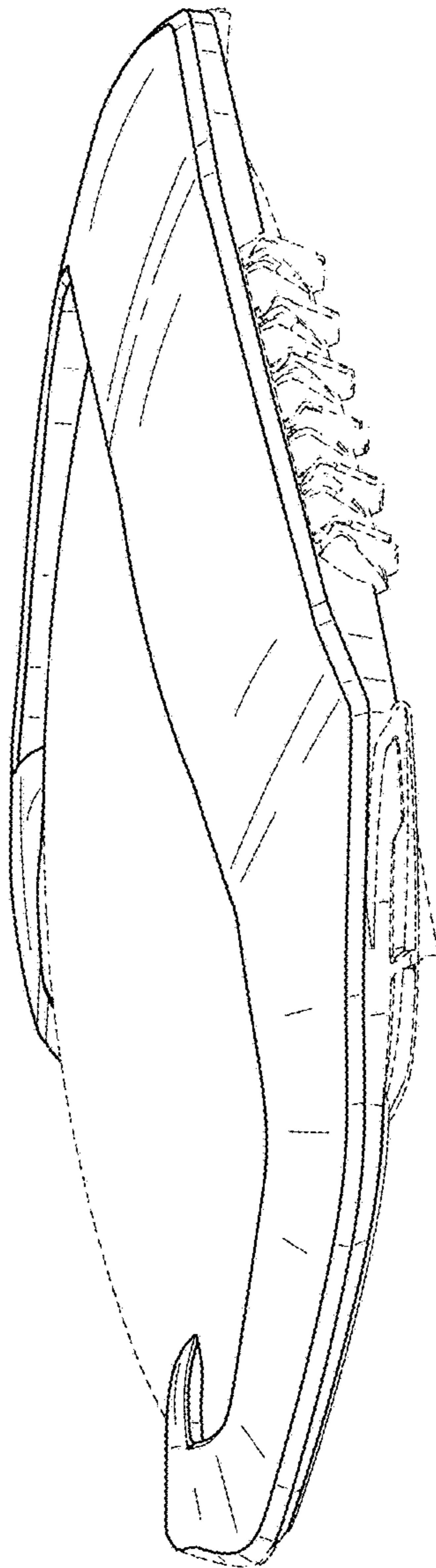


FIG. 4

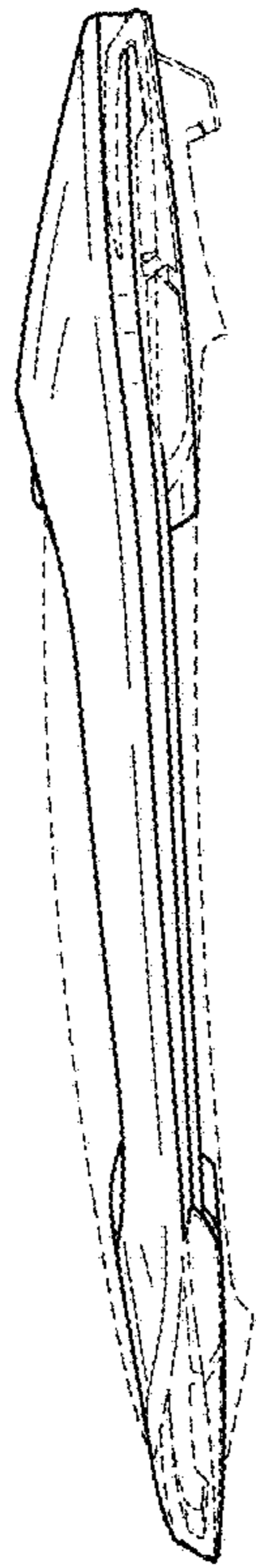


FIG. 5

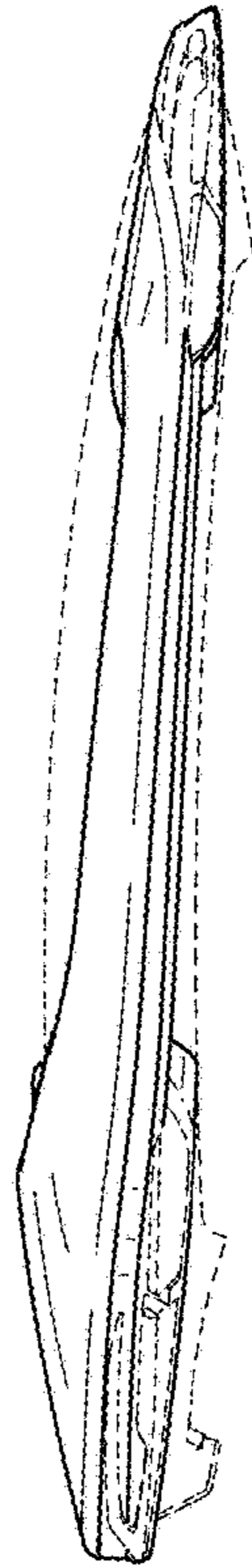


FIG. 6

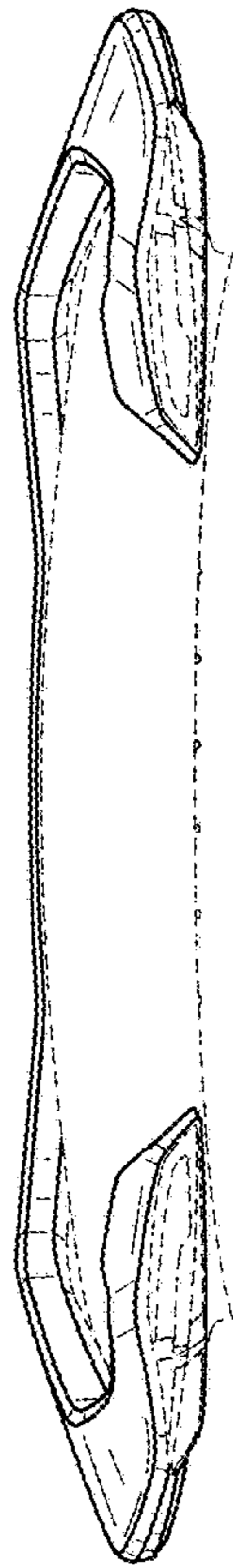


FIG. 7

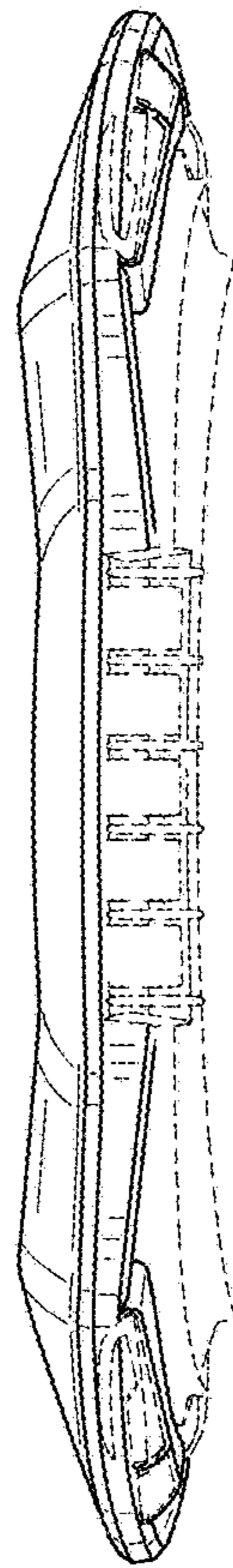


FIG. 8

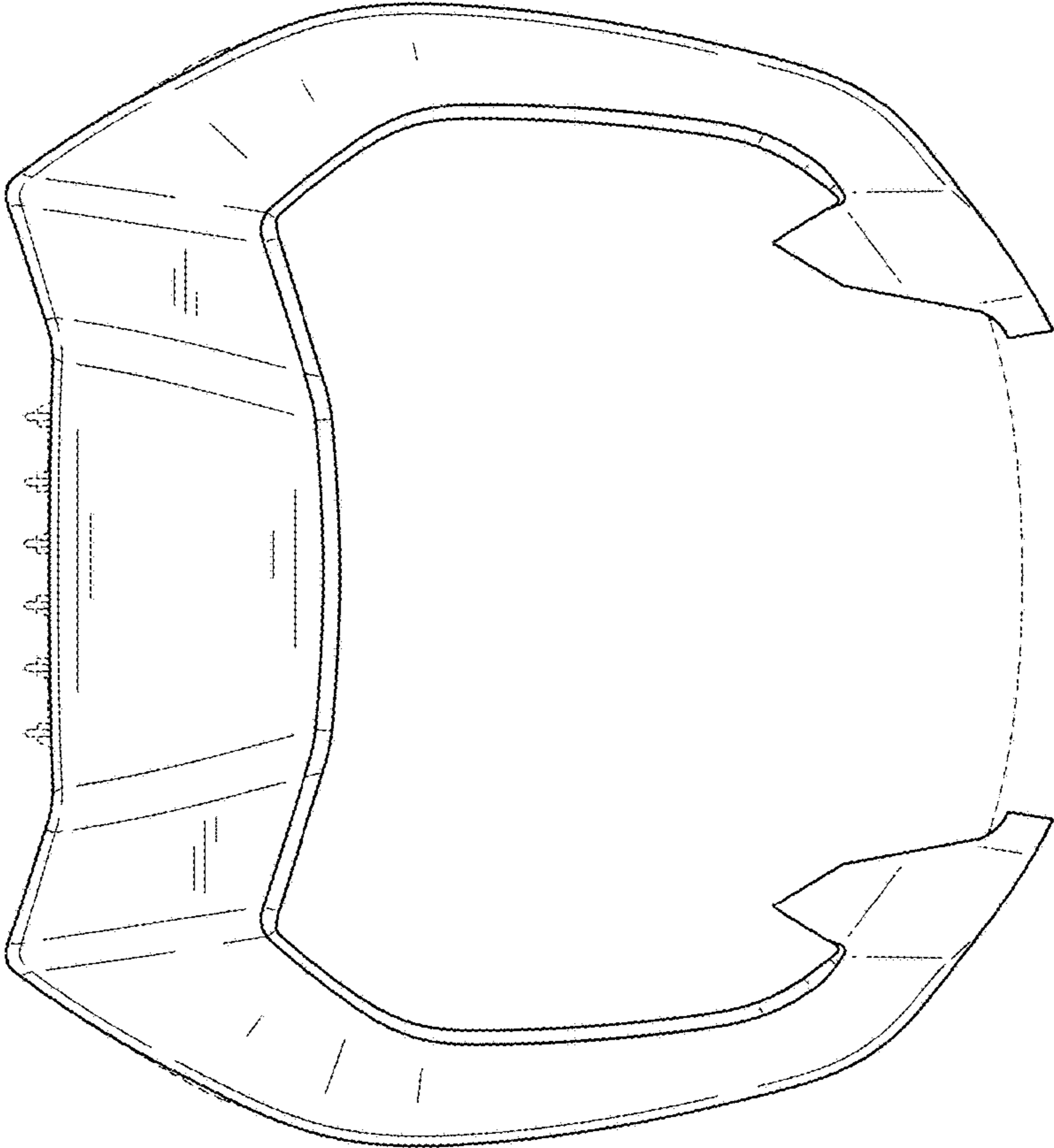


FIG. 9

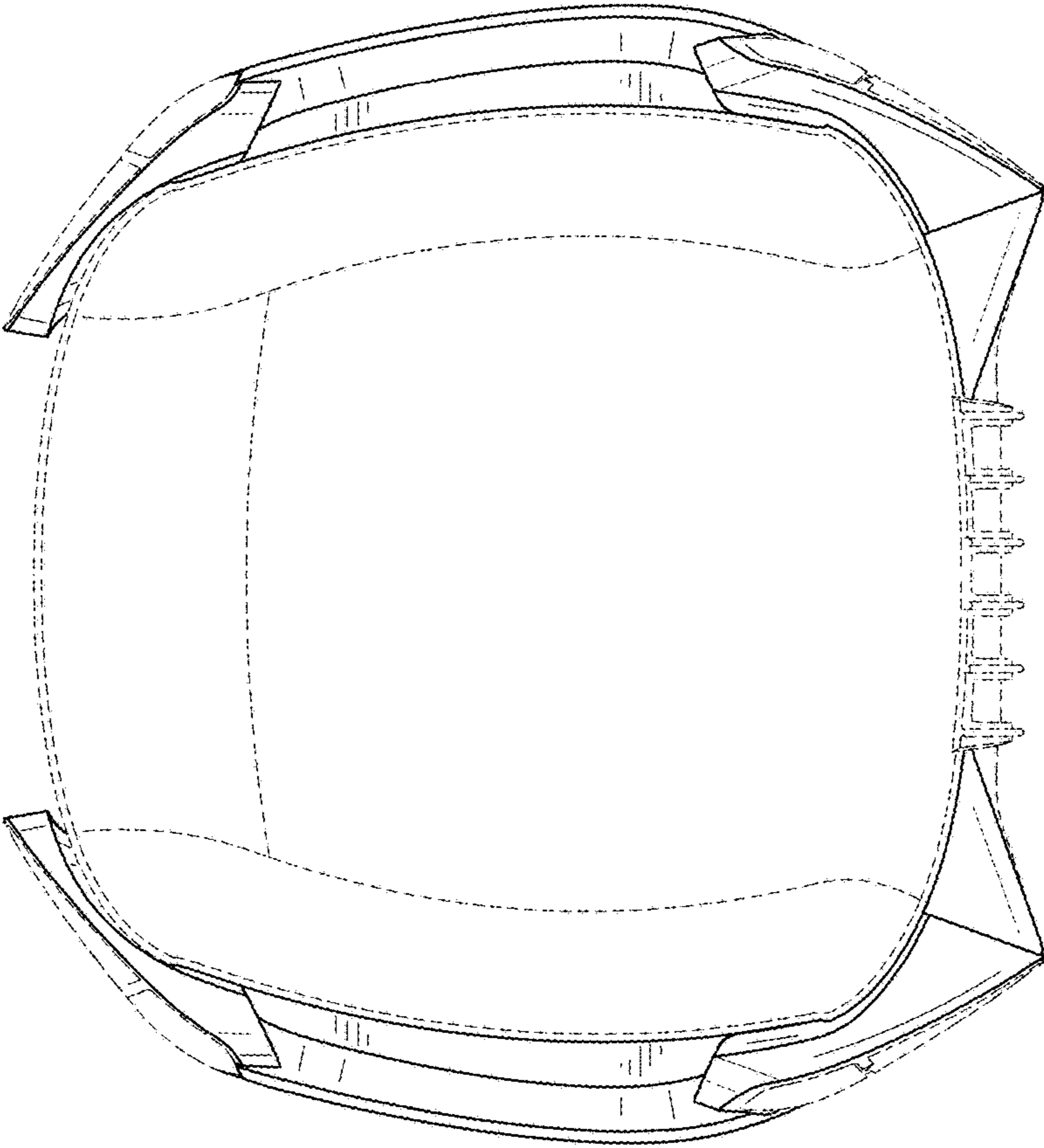


FIG. 10