



US00D855662S

(12) **United States Design Patent** (10) **Patent No.:** **US D855,662 S**
Hakes et al. (45) **Date of Patent:** **** Aug. 6, 2019**

(54) **UNDERCARRIAGE TRACK SHOE FOR MOBILE EARTHMOVING MACHINE**

3,035,872 A 5/1962 Rich
3,169,039 A 2/1965 Baker et al.
3,171,695 A 3/1965 Schick

(71) Applicant: **Caterpillar Inc.**, Deerfield, IL (US)

(Continued)

(72) Inventors: **David J. Hakes**, Brimfield, IL (US);
Benjamin Jones, Washington, IL (US);
Gustavo Acosta, Flossmoor, IL (US);
Benoit Abello, Dunlap, IL (US); **Jason Beckerdite**, Morton, IL (US)

FOREIGN PATENT DOCUMENTS

AU 139354 12/1999
AU 140881 6/2000

(Continued)

(73) Assignee: **Caterpillar Inc.**, Deerfield, IL (US)

OTHER PUBLICATIONS

(**) Term: **15 Years**

AVSpare, Rebuild Guidelines for the Suspended Track Roller Frames{4150, 4151} Caterpillar, available at least as early as 2017.

(21) Appl. No.: **29/653,017**

(Continued)

(22) Filed: **Jun. 12, 2018**

Primary Examiner — Mark A Goodwin

(74) *Attorney, Agent, or Firm* — Saidman Design Law Group

Related U.S. Application Data

(63) Continuation of application No. 29/602,889, filed on May 4, 2017, now Pat. No. Des. 823,349.

(51) **LOC (12) Cl.** **15-03**

(52) **U.S. Cl.**
USPC **D15/28**

(58) **Field of Classification Search**
USPC D15/28, 22-26, 10; 305/46, 51, 111, 305/198, 553, 204, 193
CPC B62D 55/20; B62D 55/202; B62D 55/28; B62D 55/205; B62D 55/26; B62D 55/12
See application file for complete search history.

(57) **CLAIM**

The ornamental design for an undercarriage track shoe for mobile earthmoving machine, as shown and described.

DESCRIPTION

FIG. 1 is a perspective view of an undercarriage track shoe for mobile earthmoving machine showing our new design; FIG. 2 is another perspective view thereof; FIG. 3 is a front view thereof; FIG. 4 is a rear view thereof; FIG. 5 is a left side view thereof; FIG. 6 is a right side view thereof; FIG. 7 is a top view thereof; and, FIG. 8 is a bottom view thereof.

Grayscale shading illustrates contour.

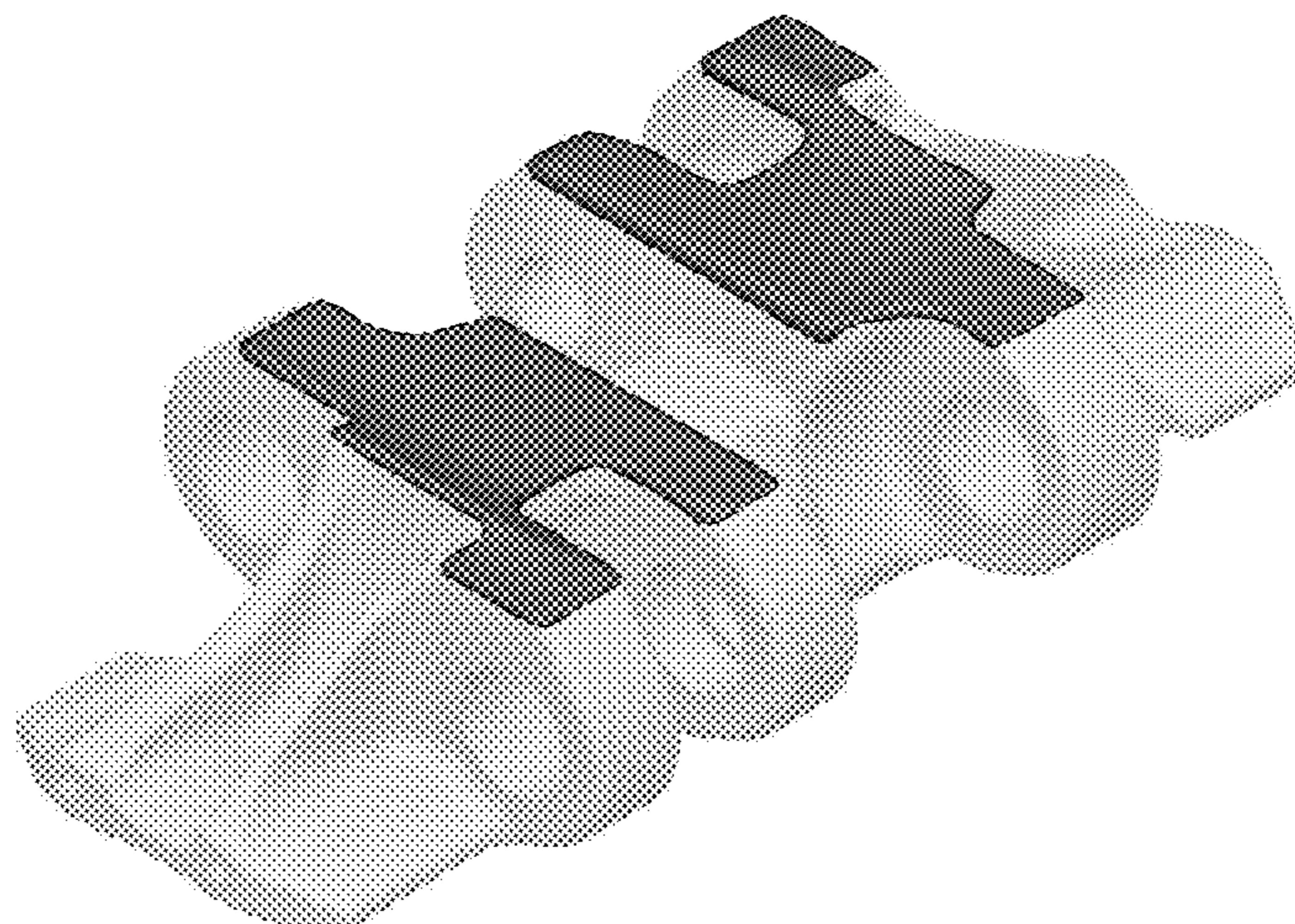
The dot-dash broken lines illustrate unclaimed boundaries and form no part of the claimed design. The faded portions outside the dot-dash broken lines form no part of the claimed design.

(56) **References Cited**

U.S. PATENT DOCUMENTS

1,975,107 A 10/1934 Knox et al.
2,452,921 A 11/1948 Gillespie
2,999,723 A 9/1961 Ostberg et al.
3,007,745 A 11/1961 Even

1 Claim, 6 Drawing Sheets



(56)

References Cited

U.S. PATENT DOCUMENTS

3,333,903 A 8/1967 Orr et al.
 3,372,959 A 3/1968 Watts, Jr.
 3,721,476 A * 3/1973 Andersson B60F 3/0015
 305/162
 3,937,530 A 2/1976 Sturges
 3,947,074 A 3/1976 Nelson
 3,955,855 A 5/1976 Massieon et al.
 4,003,608 A 1/1977 Carter
 4,036,538 A 7/1977 Haslett et al.
 4,081,202 A 3/1978 Kozuki
 4,082,372 A 4/1978 Kozuki
 4,098,543 A 7/1978 Sturges
 4,099,795 A 7/1978 Roley
 RE29,723 E 8/1978 Haslett et al.
 4,105,260 A 8/1978 Blunier et al.
 4,116,497 A 9/1978 Schimpf et al.
 4,123,120 A 10/1978 Kohriyama
 4,128,277 A 12/1978 Meisel, Jr.
 4,129,045 A 12/1978 Kishitani
 4,141,601 A 2/1979 Stedman
 4,175,797 A * 11/1979 Krekeler B62D 55/20
 305/196
 4,176,887 A 12/1979 Alpers et al.
 4,222,616 A 9/1980 Brewer
 4,265,084 A 5/1981 Livesay
 4,306,753 A 12/1981 Livesay et al.
 4,365,848 A 12/1982 Grilli et al.
 4,423,910 A 1/1984 Narang
 4,444,441 A 4/1984 Parker
 4,449,357 A 5/1984 Balitch
 4,457,565 A 7/1984 Bissi et al.
 4,459,124 A 7/1984 Newton
 4,530,546 A 7/1985 Meisel, Jr.
 4,553,791 A 11/1985 Blair
 4,602,825 A 7/1986 Meisel, Jr.
 4,636,014 A 1/1987 Dennison et al.
 4,763,961 A 8/1988 Parrott
 4,880,283 A 11/1989 Savage et al.
 4,890,892 A 1/1990 Haslett
 4,904,030 A 2/1990 Ono
 4,995,678 A 2/1991 Jinkens
 5,172,965 A 12/1992 Taft
 5,183,318 A 2/1993 Taft et al.
 5,201,171 A 4/1993 Anderton et al.
 D338,020 S 8/1993 Taft
 5,295,741 A 3/1994 Togashi et al.
 5,482,364 A 1/1996 Edwards et al.
 5,692,985 A 12/1997 Hirata et al.
 5,704,697 A 1/1998 Ketting et al.
 5,759,309 A 6/1998 Watts et al.
 5,887,958 A 3/1999 Bissi et al.
 5,927,665 A 7/1999 Grabnic
 6,109,706 A 8/2000 Oertley
 6,120,405 A 9/2000 Oertley et al.
 D435,565 S 12/2000 Barani
 RE37,254 E 7/2001 Ketting et al.
 6,322,173 B1 11/2001 Maguire et al.
 6,354,679 B1 3/2002 Maguire et al.
 6,364,438 B1 4/2002 Hasselbusch et al.
 6,416,142 B1 7/2002 Oertley
 6,422,667 B2 7/2002 Miyaura
 6,431,665 B1 8/2002 Banerjee et al.
 6,474,754 B1 11/2002 Hasselbusch
 6,543,863 B1 * 4/2003 Hannan B62D 55/20
 305/111
 6,565,161 B2 5/2003 Anderton
 D484,149 S * 12/2003 Hannan D15/28
 6,659,573 B1 * 12/2003 Knecht B62D 55/08
 305/195
 6,783,196 B2 8/2004 Maguire et al.
 6,951,096 B2 10/2005 Maguire et al.
 7,007,360 B2 3/2006 Huenefeld et al.
 7,040,080 B2 5/2006 Okawa et al.
 7,100,353 B1 9/2006 Maguire
 7,325,889 B2 2/2008 Yamamoto et al.

7,345,255 B2 3/2008 Jiang et al.
 7,530,650 B2 5/2009 Hannan et al.
 7,614,709 B2 11/2009 Oertley
 7,661,774 B2 2/2010 Yamamoto et al.
 7,776,451 B2 8/2010 Jiang et al.
 7,806,209 B2 10/2010 Standish et al.
 7,850,256 B2 12/2010 Mulligan
 7,877,977 B2 2/2011 Johannsen et al.
 7,896,766 B2 3/2011 Mitzschke et al.
 8,070,241 B2 12/2011 Mulligan
 8,075,069 B2 12/2011 Pech et al.
 8,172,342 B2 5/2012 Diekevers et al.
 D665,826 S 8/2012 Clarke et al.
 8,336,970 B2 12/2012 Johannsen et al.
 8,851,582 B2 10/2014 Grenzi
 D719,588 S 12/2014 Meyer et al.
 9,045,180 B2 6/2015 Brewer et al.
 9,216,782 B2 12/2015 Kunigk
 D748,153 S * 1/2016 Colwell D15/28
 D751,609 S 3/2016 Meyer et al.
 9,272,742 B2 3/2016 Hisamatsu et al.
 9,359,024 B2 6/2016 Meyer et al.
 D763,931 S * 8/2016 Colwell D15/28
 9,409,613 B2 8/2016 Hakes
 D767,641 S 9/2016 Knobloch et al.
 9,434,425 B2 9/2016 Kaufmann et al.
 D769,333 S 10/2016 Knobloch et al.
 9,505,453 B2 11/2016 Brewer et al.
 9,623,920 B2 4/2017 Akinlua et al.
 9,688,325 B2 * 6/2017 Hakes B62D 55/21
 9,738,334 B2 * 8/2017 Talbot B62D 55/202
 2003/0090151 A1 5/2003 Takeno et al.
 2003/0122425 A1 7/2003 Banerjee
 2005/0040708 A1 2/2005 Yamamoto et al.
 2006/0017323 A1 1/2006 Wodrich et al.
 2008/0217994 A1 9/2008 McRae et al.
 2008/0265667 A1 10/2008 Livesay
 2009/0026836 A1 1/2009 Maeda
 2009/0102281 A1 4/2009 Diekevers et al.
 2010/0007206 A1 1/2010 Wodrich
 2010/0133898 A1 6/2010 Johannsen et al.
 2010/0139993 A1 6/2010 Sebright et al.
 2010/0141005 A1 6/2010 Mackert
 2010/0141027 A1 6/2010 Fischer et al.
 2013/0241277 A1 9/2013 Giusti
 2014/0001822 A1 1/2014 Thorson et al.
 2014/0001827 A1 1/2014 Kaufmann et al.
 2014/0001828 A1 1/2014 Meyer et al.
 2014/0001830 A1 1/2014 Meyer et al.
 2014/0001831 A1 1/2014 Thorson et al.
 2014/0070603 A1 3/2014 Wodrich et al.
 2014/0292068 A1 10/2014 Hisamatsu et al.
 2015/0061374 A1 3/2015 Diekevers et al.
 2015/0158536 A1 6/2015 Takagi et al.
 2015/0266526 A1 9/2015 Liu et al.
 2015/0375813 A1 * 12/2015 Talbot B62D 55/202
 305/198
 2016/0023697 A1 1/2016 Neyer
 2016/0176456 A1 6/2016 Oertley
 2017/0021878 A9 * 1/2017 Talbot B62D 55/202

FOREIGN PATENT DOCUMENTS

AU 143748 5/2001
 AU 149531 10/2002
 AU 304403 11/2005
 AU 310269 9/2006
 AU 324833 2/2009
 CL 145-1939 7/1939
 CL 75-1943 3/1943
 CL 92-1990 5/1990
 CL 1488-2002 9/2002
 CL 2980-2001 8/2003
 DE 1089650 B 9/1960
 DE 2708538 A1 8/1978
 EM 000302823-0001 2/2005
 EM 000450028-0003 12/2005
 EM 000450028-0006 12/2005
 EM 000472956-0001 1/2006

(56)

References Cited

FOREIGN PATENT DOCUMENTS

EM	000528807-0001	5/2006
EM	000528807-0002	5/2006
EM	000528807-0003	5/2006
GB	2087930	11/1999
JP	4431416 B2	3/2010
JP	5956480 B2	7/2016
WO	WO9946158 A1	9/1999
WO	2012/116674 A1	9/2012

OTHER PUBLICATIONS

Caterpillar, "Cat® Tri- and Quad-Link Tracks," © 2010.
U.S. Appl. No. 14/461,328, filed Aug. 15, 2014, titled "Joint Bushings for Track Joint Assemblies." (abandoned).
U.S. Appl. No. 14/461,269, filed Aug. 15, 2014. (abandoned).
U.S. Appl. No. 14/825,456, filed Aug. 13, 2014 (unpublished).

* cited by examiner

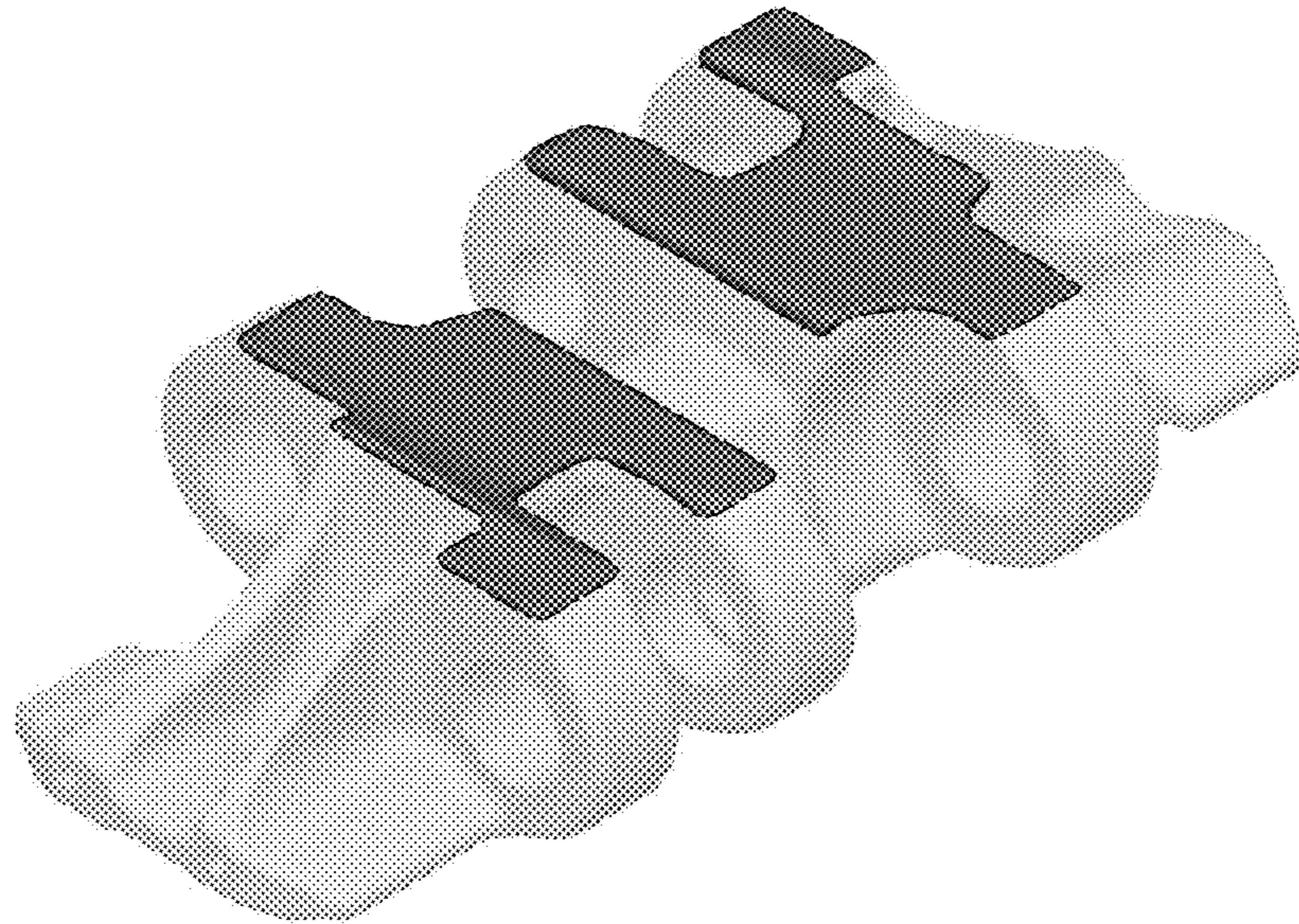


FIG. 1

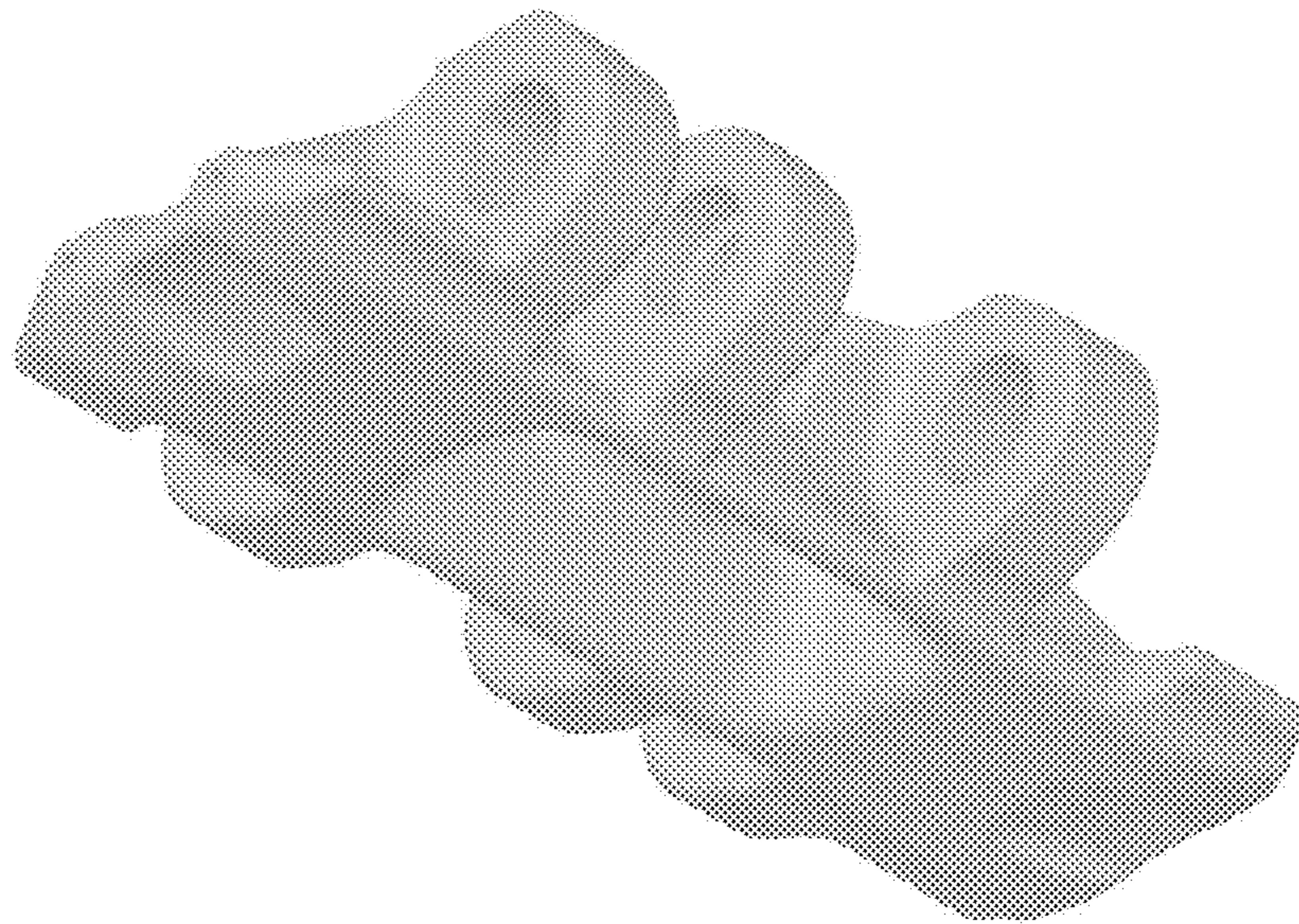


FIG. 2

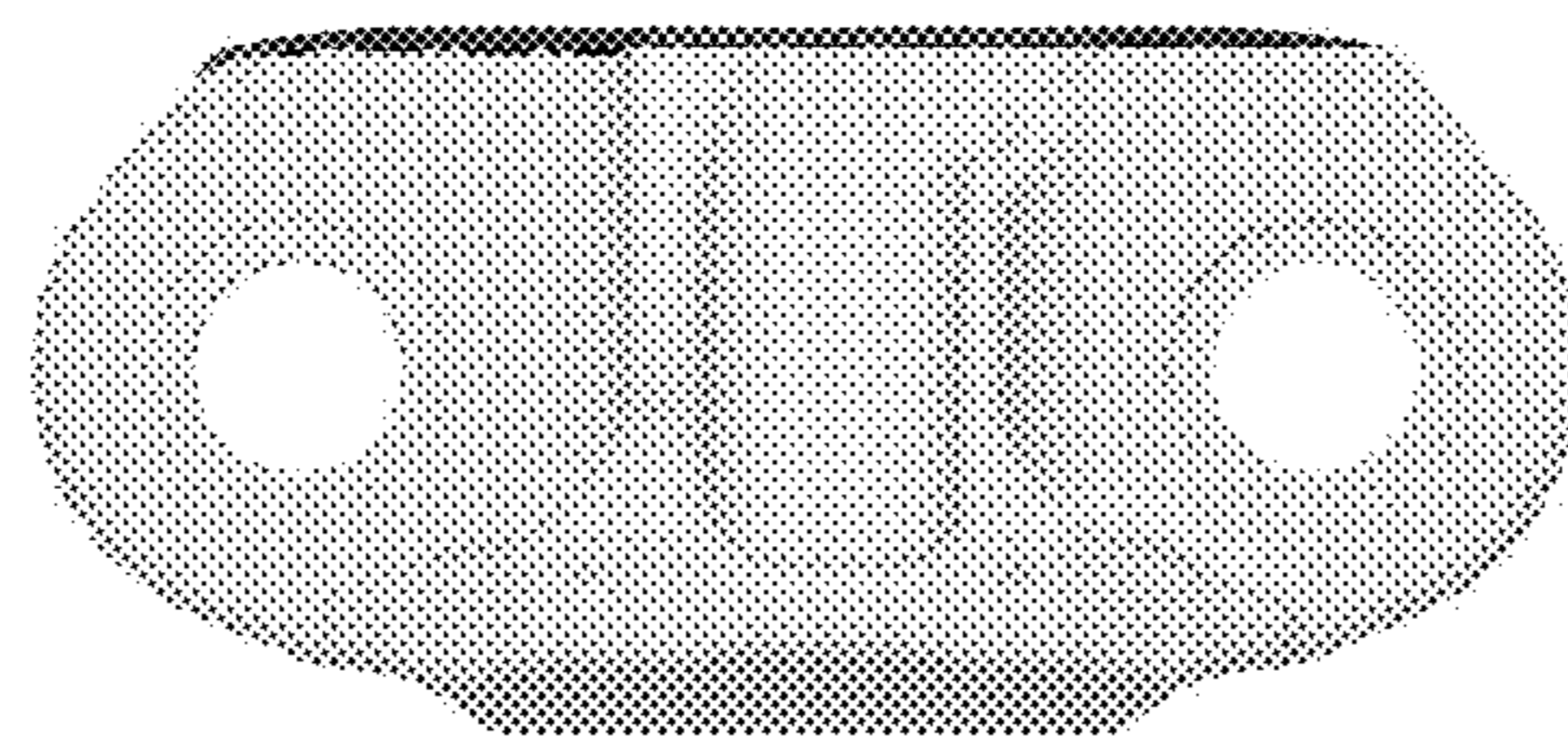


FIG. 3

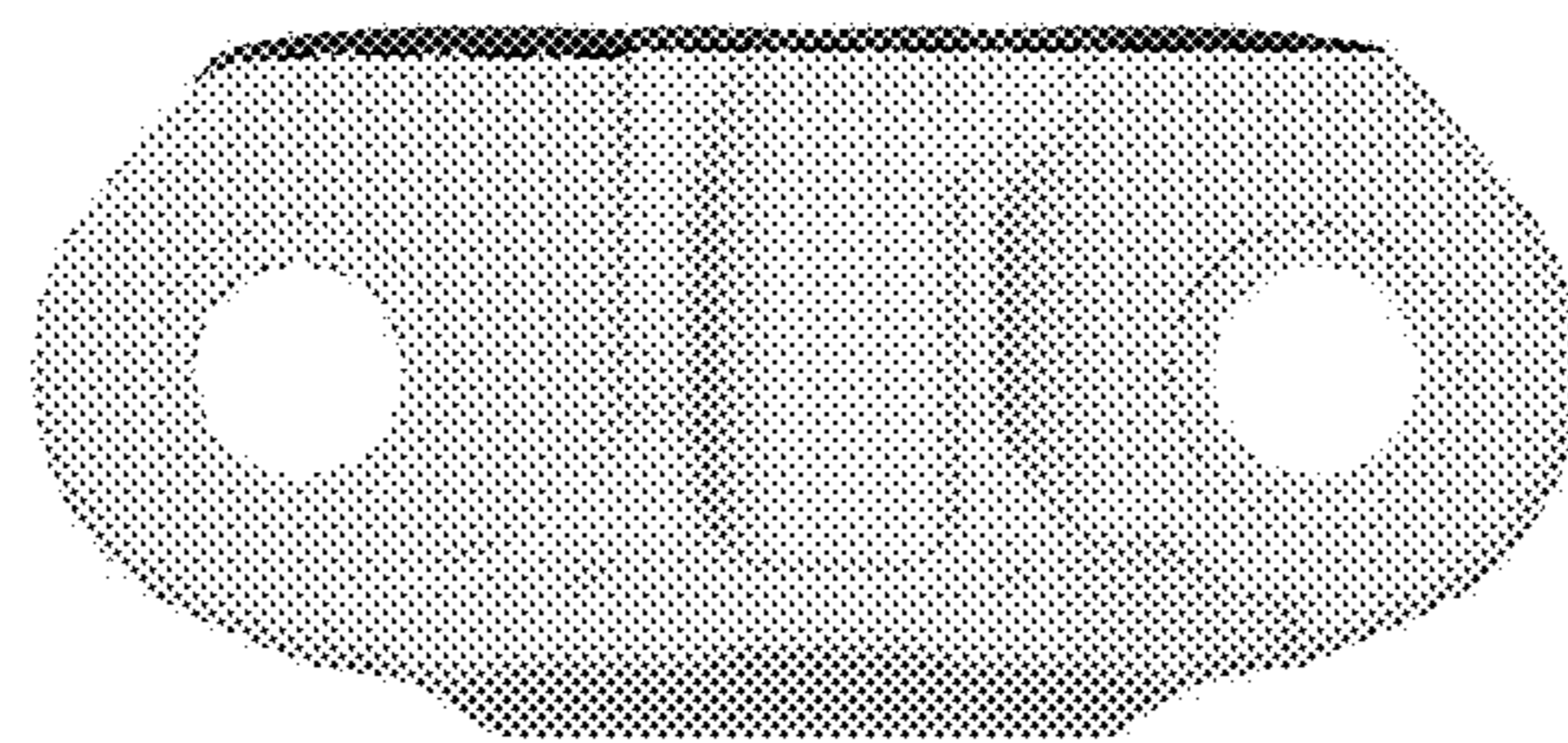


FIG. 4

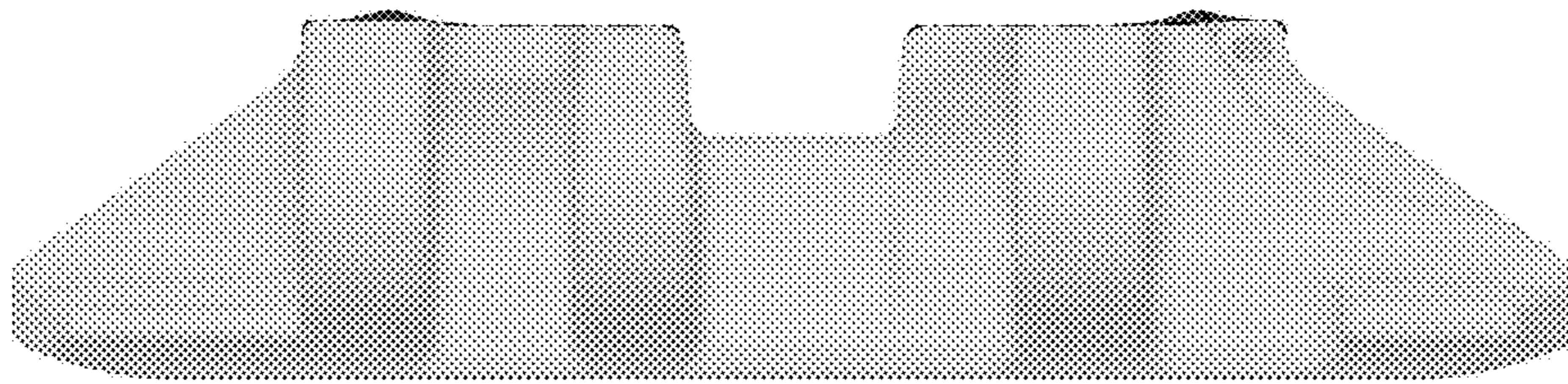


FIG. 5

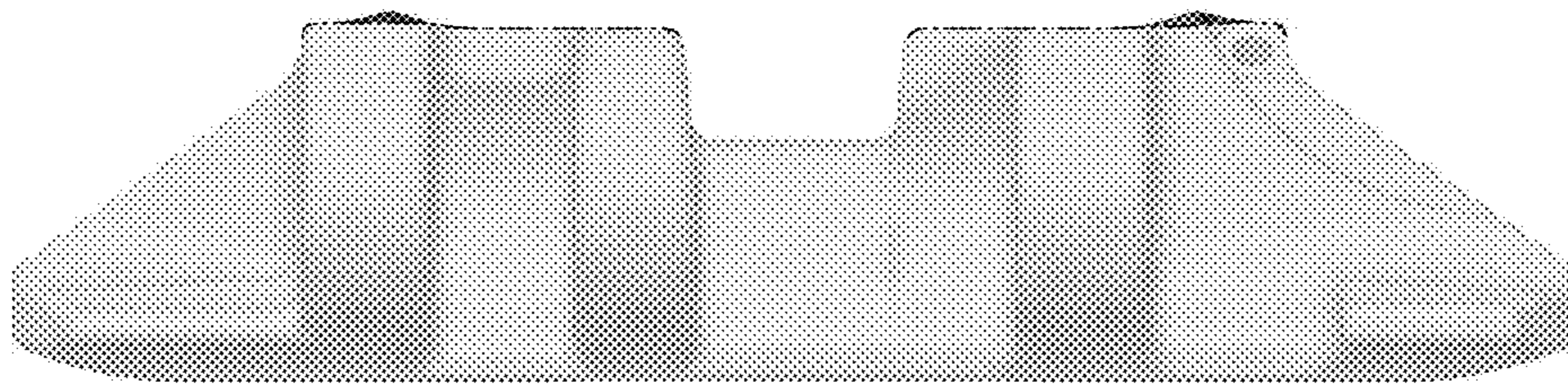


FIG. 6

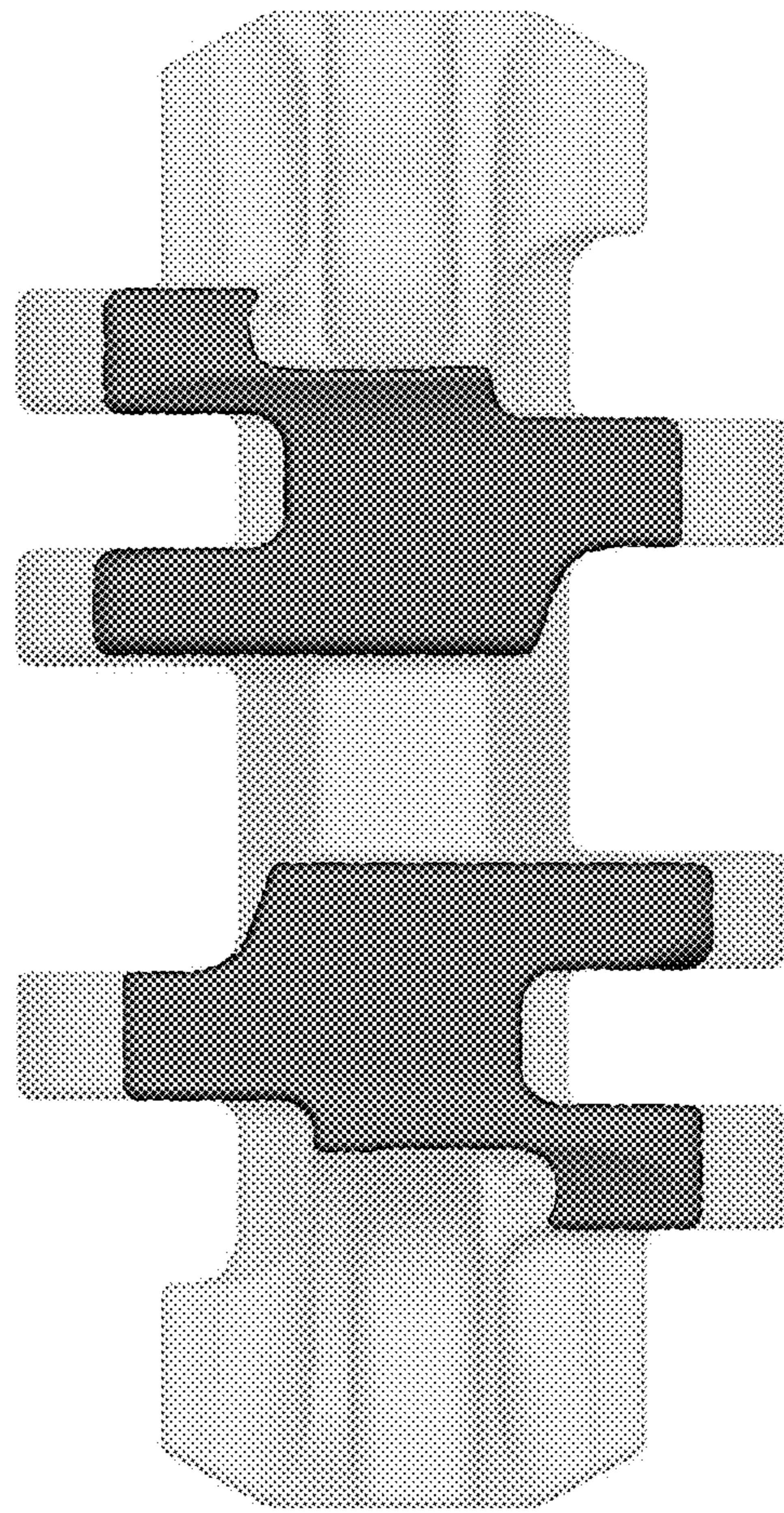


FIG. 7

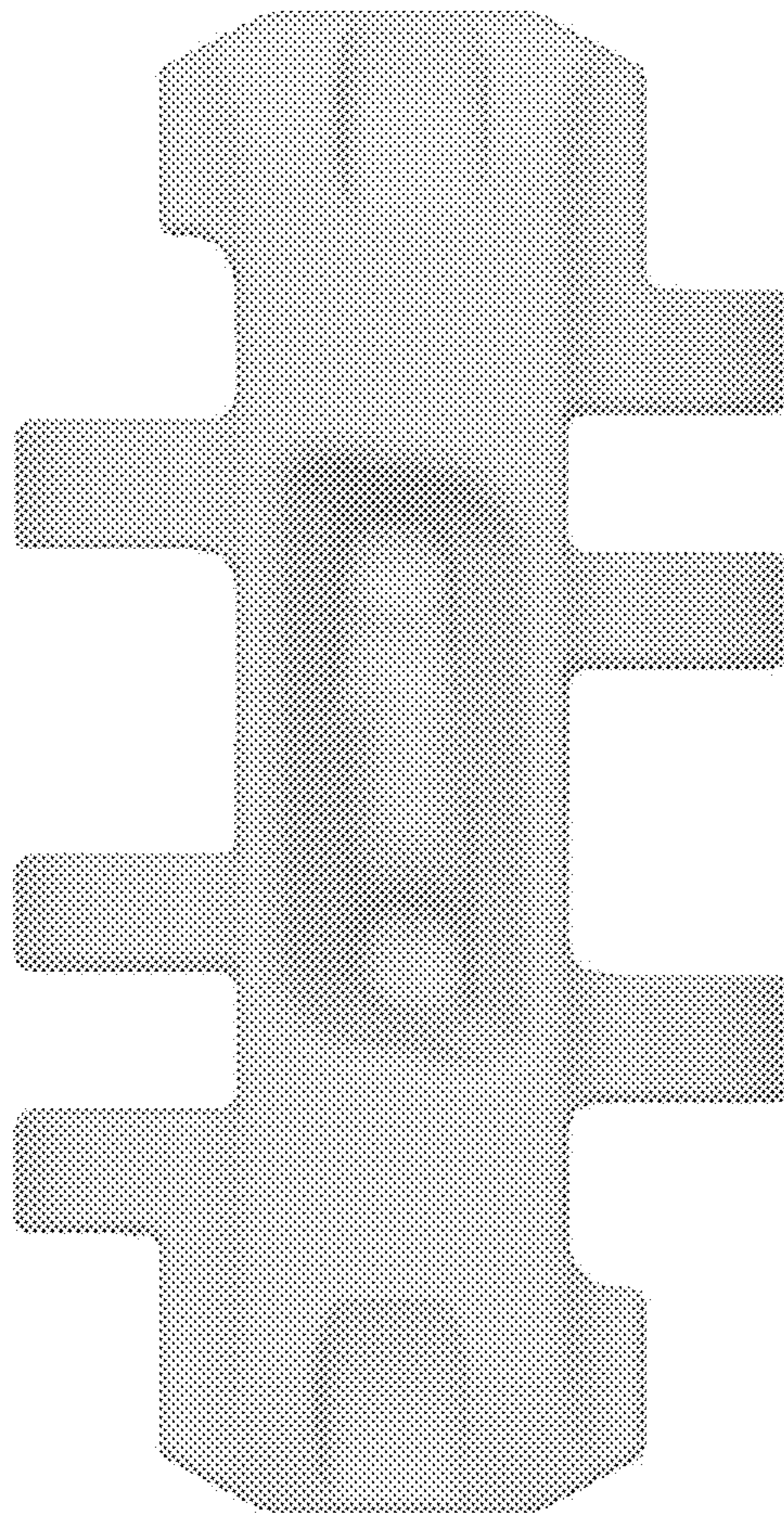


FIG. 8