



US00D855661S

(12) **United States Design Patent**  
**Krohn et al.**

(10) **Patent No.:** **US D855,661 S**  
(45) **Date of Patent:** **\*\* Aug. 6, 2019**

(54) **AGRICULTURAL PRODUCT APPLICATOR**

(71) Applicant: **CNH Industrial America LLC**, New Holland, PA (US)

(72) Inventors: **Martin L. Krohn**, DeGraff, MN (US); **William A. Roach**, Lake Lillian, MN (US); **Charles D. O'Connell**, Willmar, MN (US); **Eric Jacobsthal**, Elmhurst, IL (US); **Matthew W. Gunlogson**, Benson, MN (US); **Jesse W. Gonzales**, Falls Church, VA (US); **Russell Alan Meyer**, Crystal Lake, IL (US); **Rex L. Ruppert**, Bernson, MN (US); **Richard A. Moen**, Glenwood, MN (US)

(73) Assignee: **CNH Industrial America LLC**, New Holland, PA (US)

(\*\*) Term: **15 Years**

(21) Appl. No.: **29/626,353**

(22) Filed: **Nov. 16, 2017**

(51) **LOC (12) Cl.** ..... **15-03**

(52) **U.S. Cl.**  
USPC ..... **D15/26**

(58) **Field of Classification Search**  
USPC ..... D15/10-12, 22-26, 28; 56/14.5-14.7, 56/16.6, 122-125; 296/190, 191; 460/83, 119; 180/89.1, 89.12  
CPC ..... A01B 73/00; A01D 75/00; A01D 41/06; A01D 41/1208; A01D 41/00; A01D 67/00; A01D 45/00; A01D 45/02; A01D 45/021; A01D 43/081

See application file for complete search history.

(56) **References Cited**

**U.S. PATENT DOCUMENTS**

D212,845 S \* 12/1968 Jones ..... D12/95  
D245,331 S \* 8/1977 Tangeman ..... D15/13

D309,738 S \* 8/1990 Schober ..... D15/26  
5,039,129 A \* 8/1991 Balmer ..... B60G 3/04  
180/209  
5,267,696 A \* 12/1993 Balmer ..... A01M 11/00  
239/172  
D344,737 S \* 3/1994 Long ..... D15/13  
5,335,739 A \* 8/1994 Pieterse ..... B62D 9/00  
180/242  
D351,843 S \* 10/1994 Larson ..... D15/13  
D355,919 S \* 2/1995 Larson ..... D15/13  
6,253,691 B1 \* 7/2001 McQuinn ..... A01C 23/00  
111/118  
6,708,631 B1 \* 3/2004 McQuinn ..... A01C 7/081  
111/174

(Continued)

*Primary Examiner* — Mark A Goodwin

(74) *Attorney, Agent, or Firm* — Rebecca L. Henkel; Rickard K. DeMille

(57) **CLAIM**

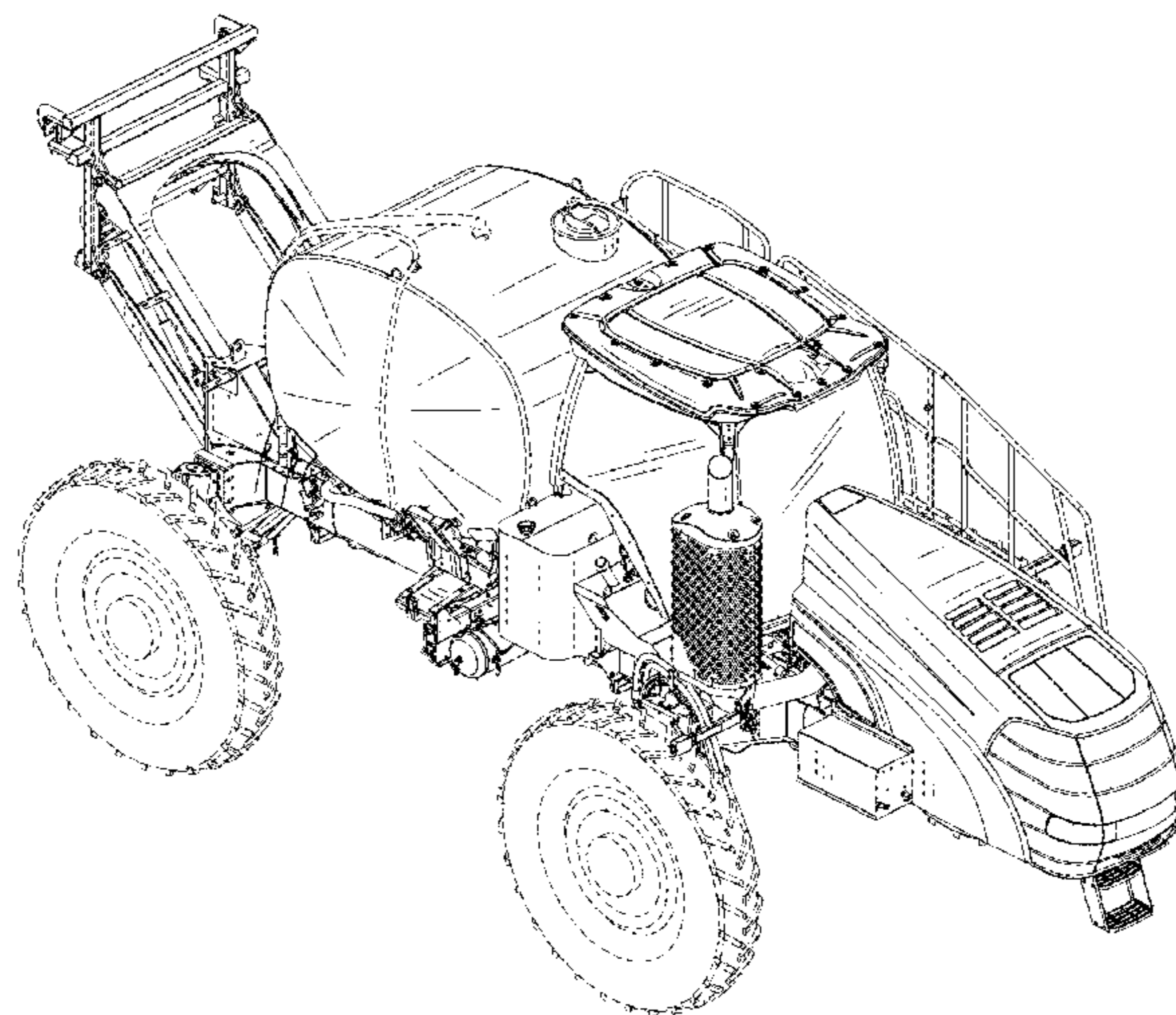
The ornamental design for an agricultural product applicator, as shown and described.

**DESCRIPTION**

FIG. 1 is an isometric view of an agricultural product applicator in accordance with the present invention; FIG. 2 is a side elevation of a first side of the agricultural product applicator of FIG. 1; FIG. 3 is a side elevation of a second side of the agricultural product applicator of FIG. 1; FIG. 4 is a front elevation of the agricultural product applicator of FIG. 1; FIG. 5 is a rear elevation of the agricultural product applicator of FIG. 1; and, FIG. 6 is top plan view of the agricultural product applicator of FIG. 1.

The broken lines showing of the wheels and various surface features are included for the purpose of illustrating portions of the agricultural product applicator and forms no part of the claimed design.

**1 Claim, 6 Drawing Sheets**



(56)

**References Cited**

U.S. PATENT DOCUMENTS

D566,138	S *	4/2008	Forkert	.....	D15/27
7,669,675	B2 *	3/2010	Hagie	.....	A01C 23/008
					180/22
D639,826	S *	6/2011	Barrelmeyer	.....	D15/26
D717,345	S *	11/2014	Budde	.....	D15/26
D765,738	S *	9/2016	Treinen	.....	D15/28
9,526,202	B2 *	12/2016	Hiddema	.....	A01C 23/008
D794,086	S *	8/2017	Thompson	.....	D15/26
D797,813	S *	9/2017	Budde	.....	D15/26
9,883,668	B2 *	2/2018	Hiddema	.....	A01C 23/008
2006/0144970	A1 *	7/2006	Hagie	.....	A01C 23/008
					239/664
2011/0147497	A1 *	6/2011	Hiddema	.....	A01C 23/008
					239/722
2016/0374327	A1 *	12/2016	Hiddema	.....	A01C 23/008
					239/160

\* cited by examiner

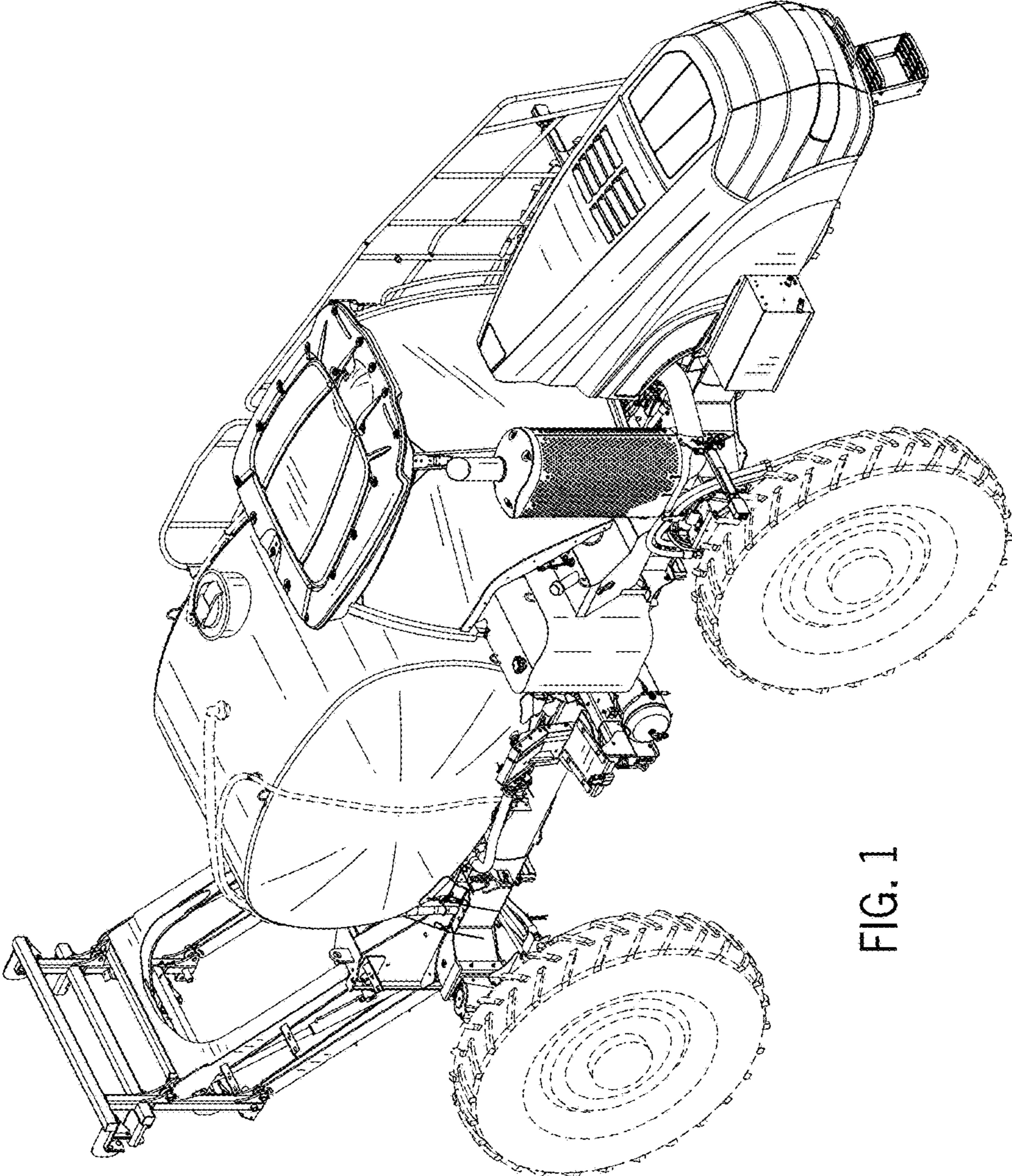


FIG. 1

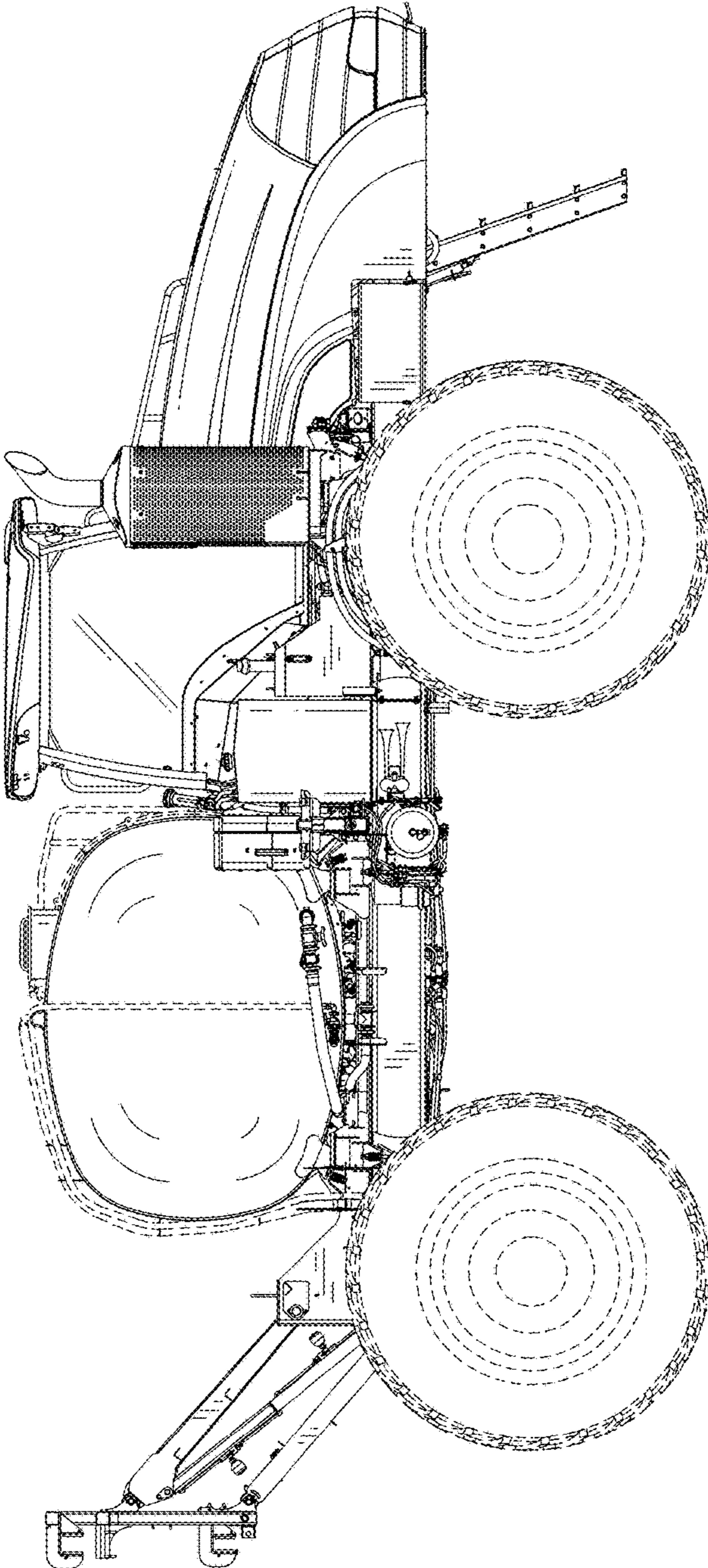


FIG. 2

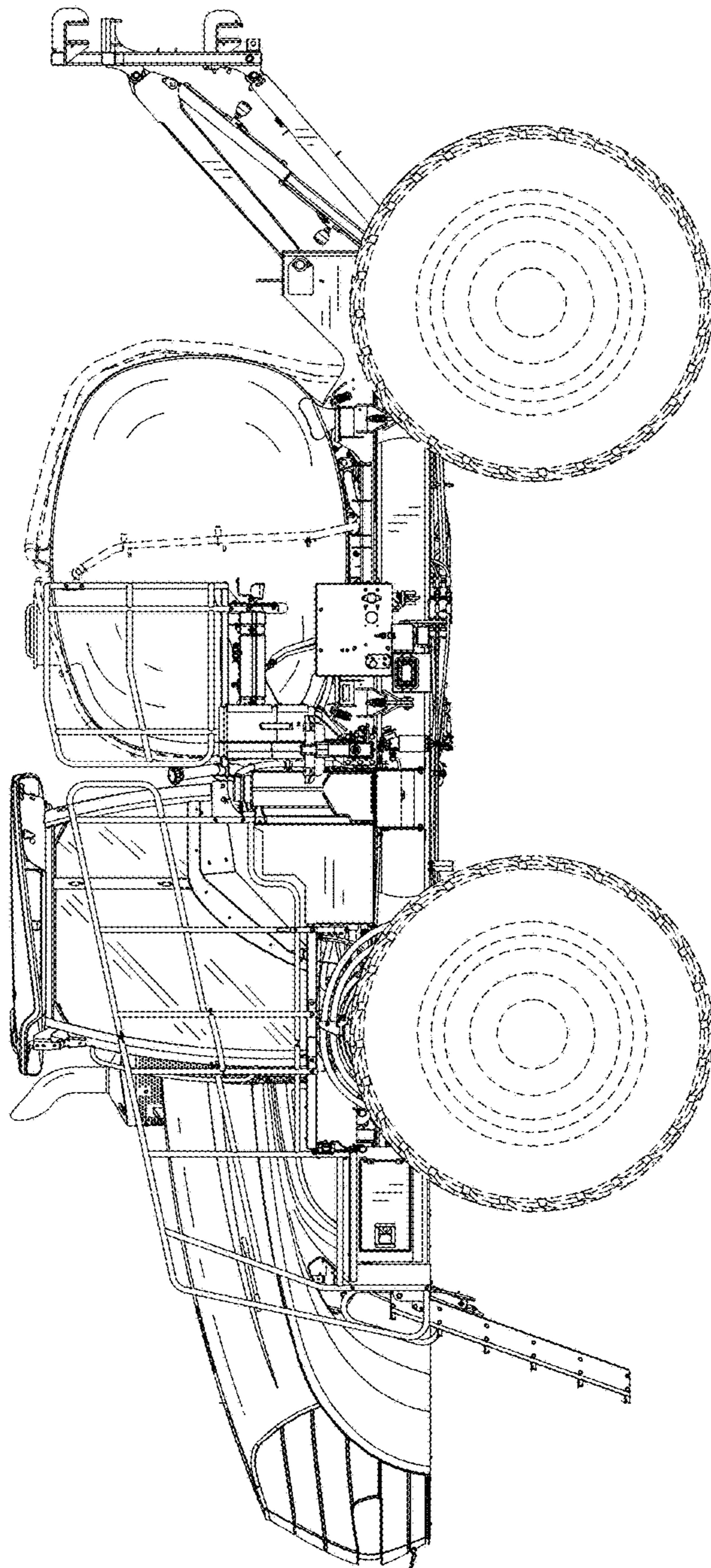


FIG. 3

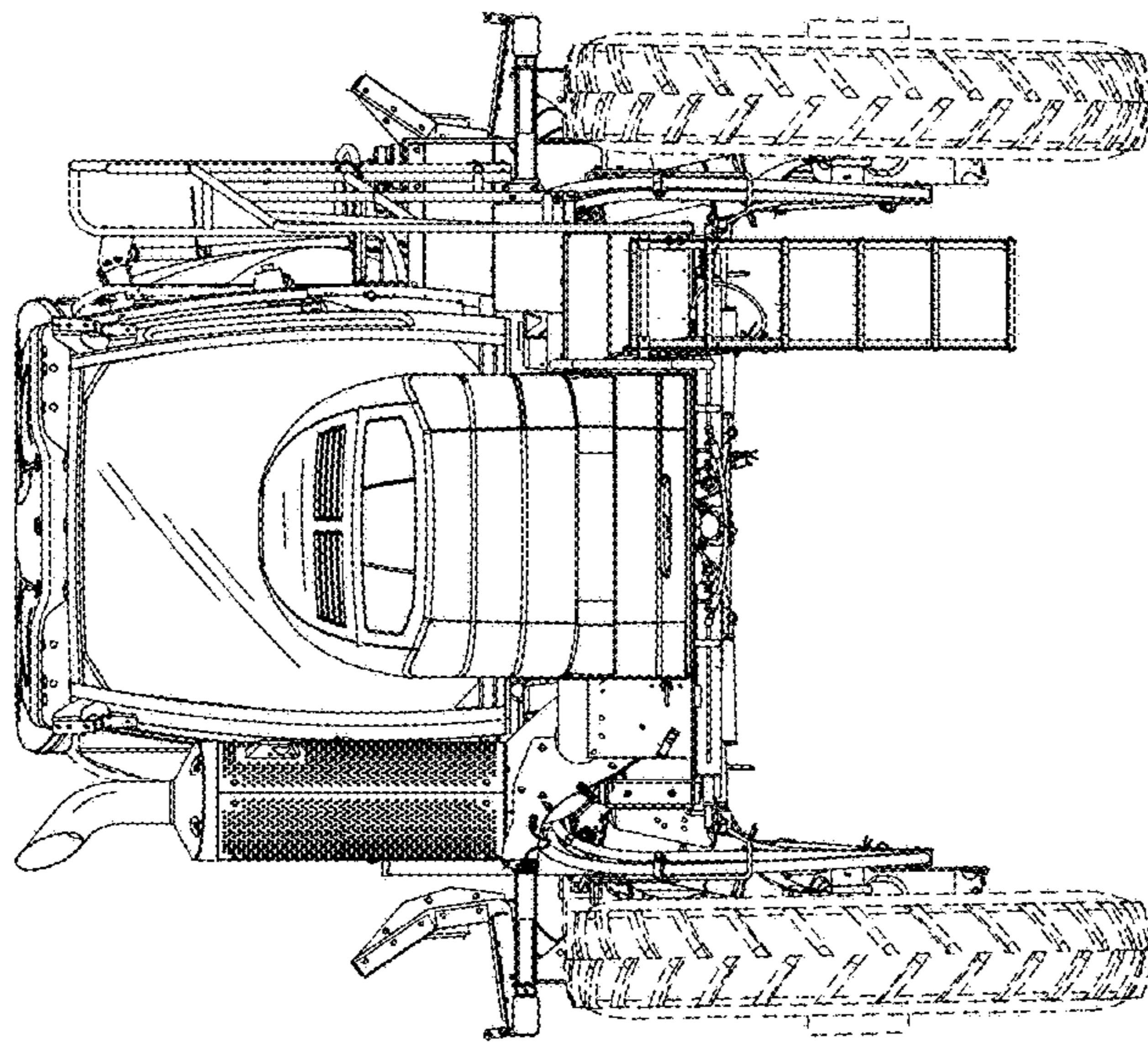


FIG. 4

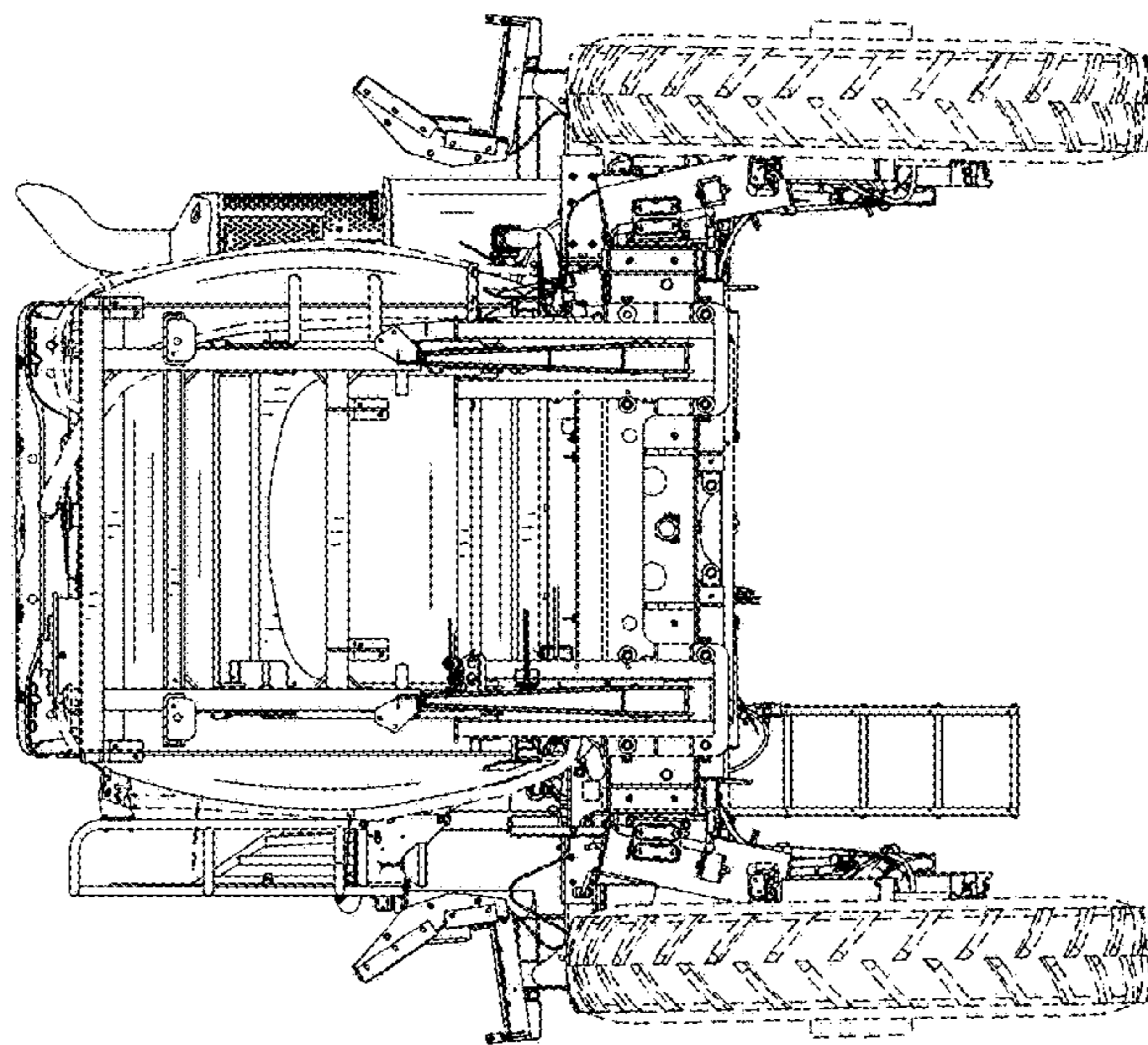


FIG. 5

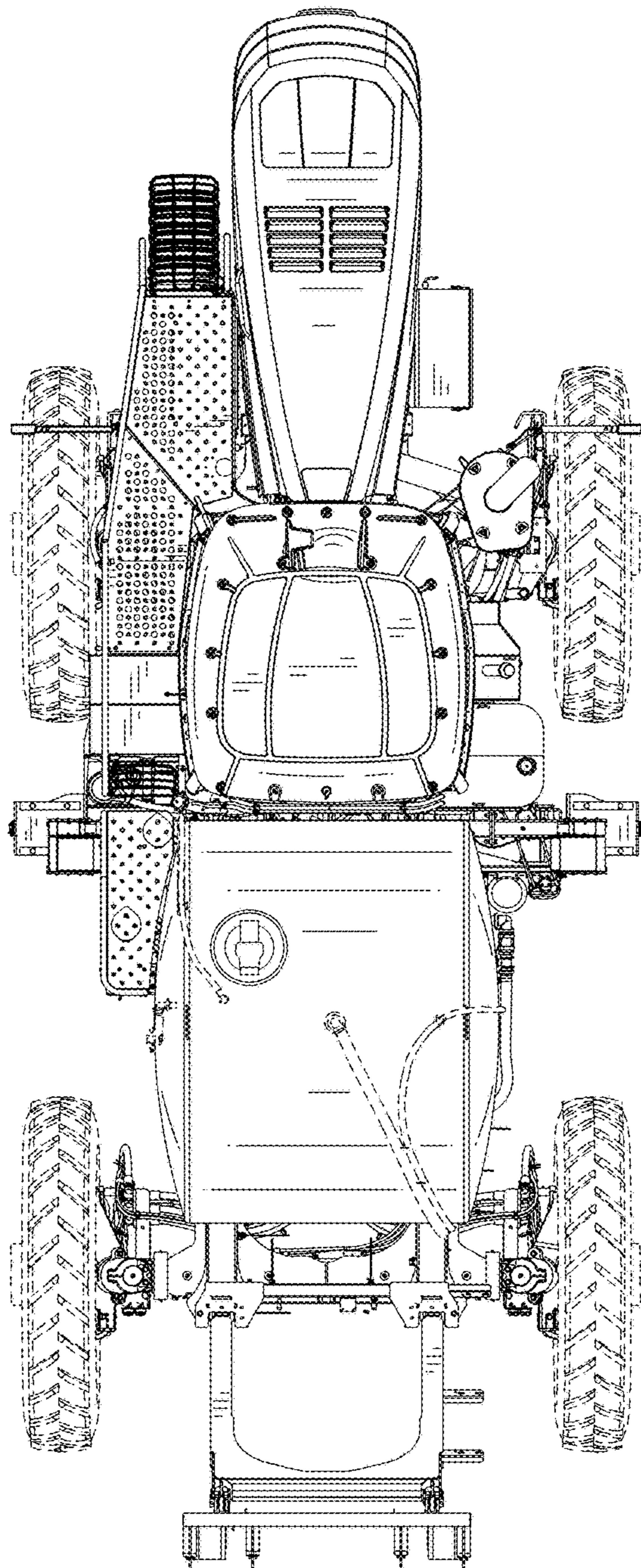


FIG. 6