



US00D855658S

(12) **United States Design Patent**
Zhang

(10) **Patent No.:** **US D855,658 S**

(45) **Date of Patent:** **** Aug. 6, 2019**

(54) **INFLATOR**

(71) Applicant: **Shenzhen Segre Electronic Co., Ltd.**,
Shenzhen (CN)

(72) Inventor: **Songqiao Zhang**, Yuyao (CN)

(73) Assignee: **Shenzhen Segre Electronic Co., Ltd.**,
Shenzhen (CN)

(**) Term: **15 Years**

(21) Appl. No.: **29/632,224**

(22) Filed: **Jan. 5, 2018**

(30) **Foreign Application Priority Data**

Oct. 23, 2017 (CN) 2017 3 0505577

(51) **LOC (12) Cl.** **15-03**

(52) **U.S. Cl.**
USPC **D15/7**

(58) **Field of Classification Search**

USPC D15/7-9; D23/231, 232, 225; 417/60,
417/235, 265, 321, 355, 358, 363, 359,
417/410.1, 411, 415-416, 405, 900, 269,
417/539; 60/408, 412; 184/26-37;
415/140-147; 123/495, 509; 137/565.34
CPC F02M 37/04; F02M 37/14; F04B 53/92;
F04B 1/005; F04D 13/06; F04D 29/22;
F04D 29/046; F04D 29/2266

See application file for complete search history.

(56) **References Cited**

U.S. PATENT DOCUMENTS

D492,326 S * 6/2004 Hsiao D15/9
D498,768 S * 11/2004 Romandy D15/9
D500,769 S * 1/2005 Montgomery D15/7
D588,612 S * 3/2009 Steinfels D15/7
D595,741 S * 7/2009 Dickertmann D15/7

D605,663 S * 12/2009 Hopper D15/7
D644,250 S * 8/2011 Barber D15/7
D649,163 S * 11/2011 Moormann D15/7
D654,095 S * 2/2012 Mattson D15/7
D659,717 S * 5/2012 Mattson D15/7
D678,351 S * 3/2013 Wong D15/9
D687,074 S * 7/2013 Barack D15/7
D695,319 S * 12/2013 Ohm D15/9
D700,915 S * 3/2014 Damhuis D15/7
D723,588 S * 3/2015 Wang D15/9
D727,972 S * 4/2015 Jhou D15/9
D734,367 S * 7/2015 Jhou D15/9
D751,121 S * 3/2016 Spindler D15/9
D754,209 S * 4/2016 Chou D15/7
D769,944 S * 10/2016 Sheedy D15/9
D778,959 S * 2/2017 Marini D15/7
D786,939 S * 5/2017 Nelson D15/7
D808,437 S * 1/2018 Hubbard-Cummins D15/7
D810,145 S * 2/2018 Sinico D15/7
D814,525 S * 4/2018 Yang D15/9

(Continued)

Primary Examiner — Khawaja Anwar

(74) *Attorney, Agent, or Firm* — Caseiro Burke LLC;
Chris A. Caseiro

(57)

CLAIM

The ornamental design for an inflator, as shown and described.

DESCRIPTION

FIG. 1 is a perspective view of an inflator showing my new design;

FIG. 2 is a front view thereof;

FIG. 3 is a back view thereof;

FIG. 4 is a right side view thereof;

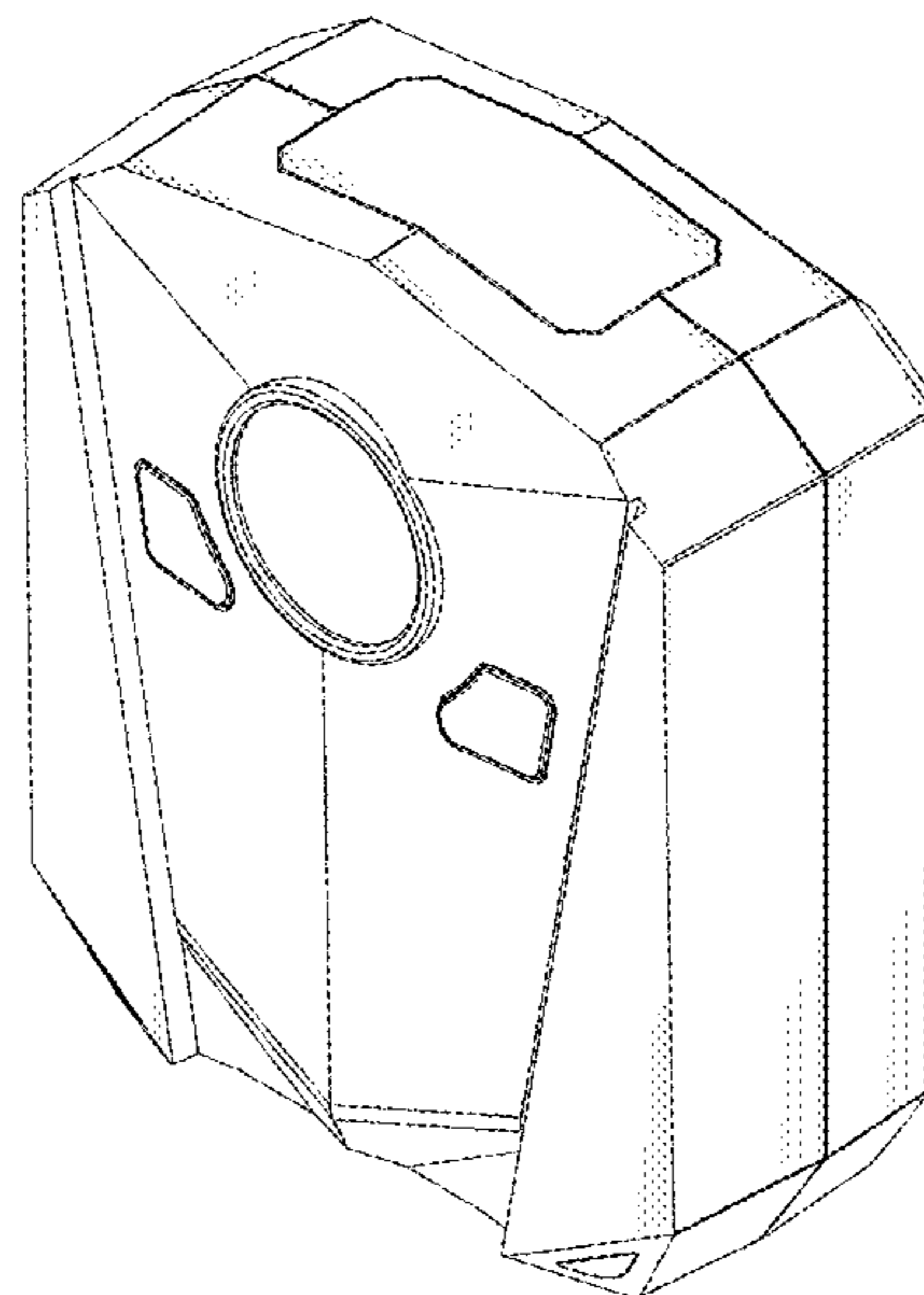
FIG. 5 is a left side view thereof;

FIG. 6 is a top view thereof; and,

FIG. 7 is a bottom view thereof.

The broken lines are included for the purpose of illustrating portions of inflator that form no parts of the claimed design.

1 Claim, 7 Drawing Sheets



(56)

References Cited

U.S. PATENT DOCUMENTS

D828,404 S * 9/2018 Gan D15/9
D830,415 S * 10/2018 Kennedy D15/7

* cited by examiner

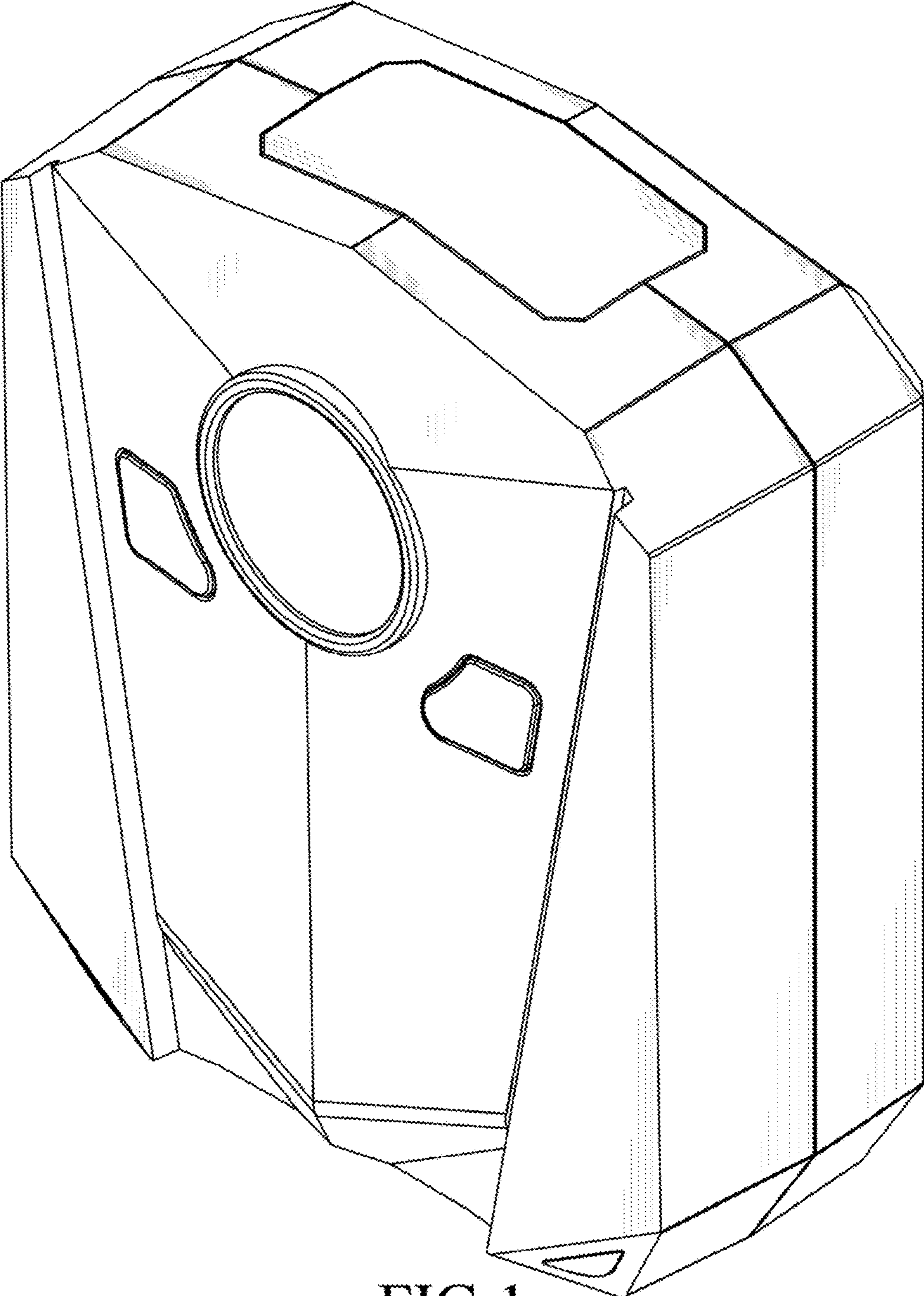


FIG.1

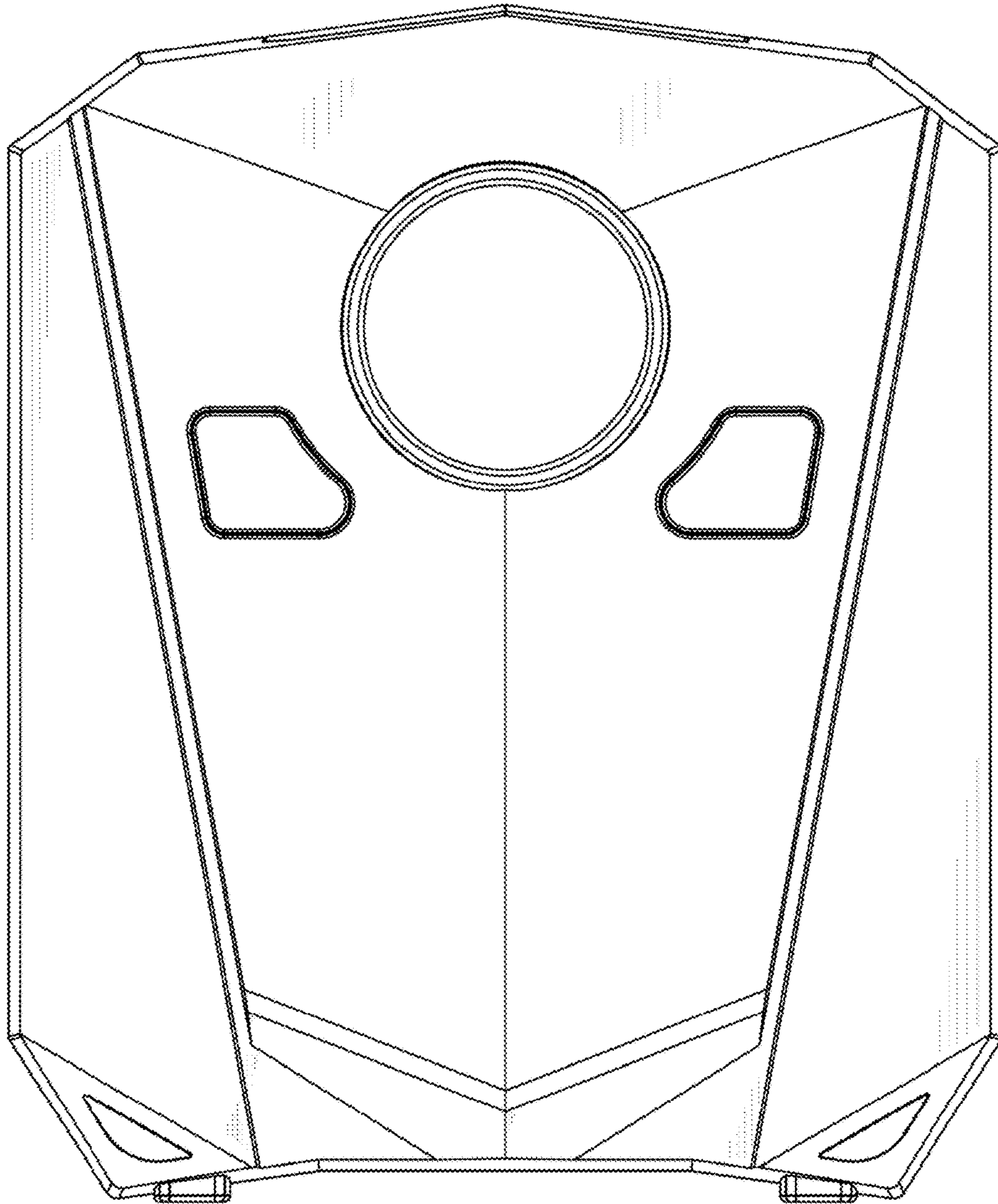


FIG.2

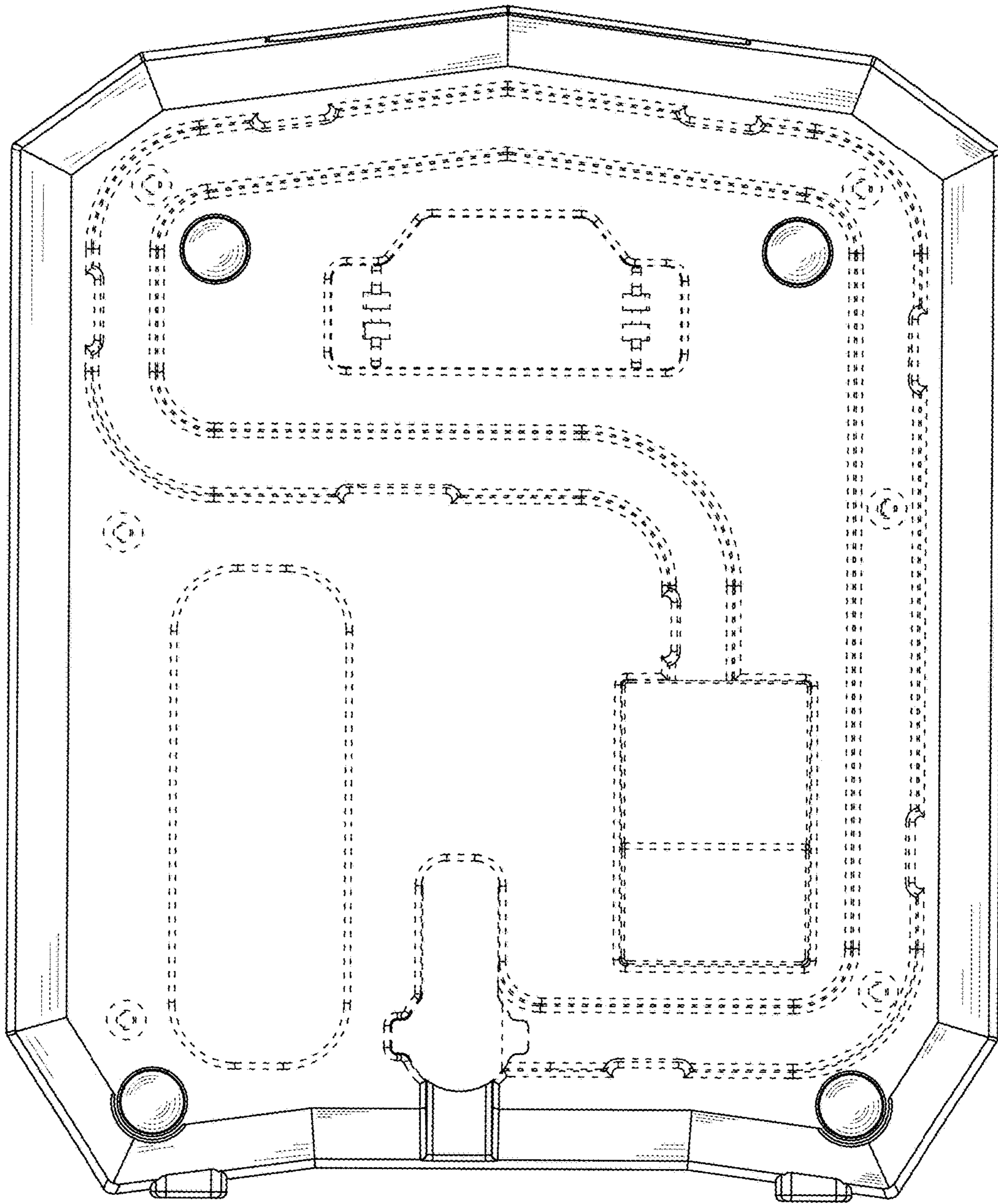


FIG.3

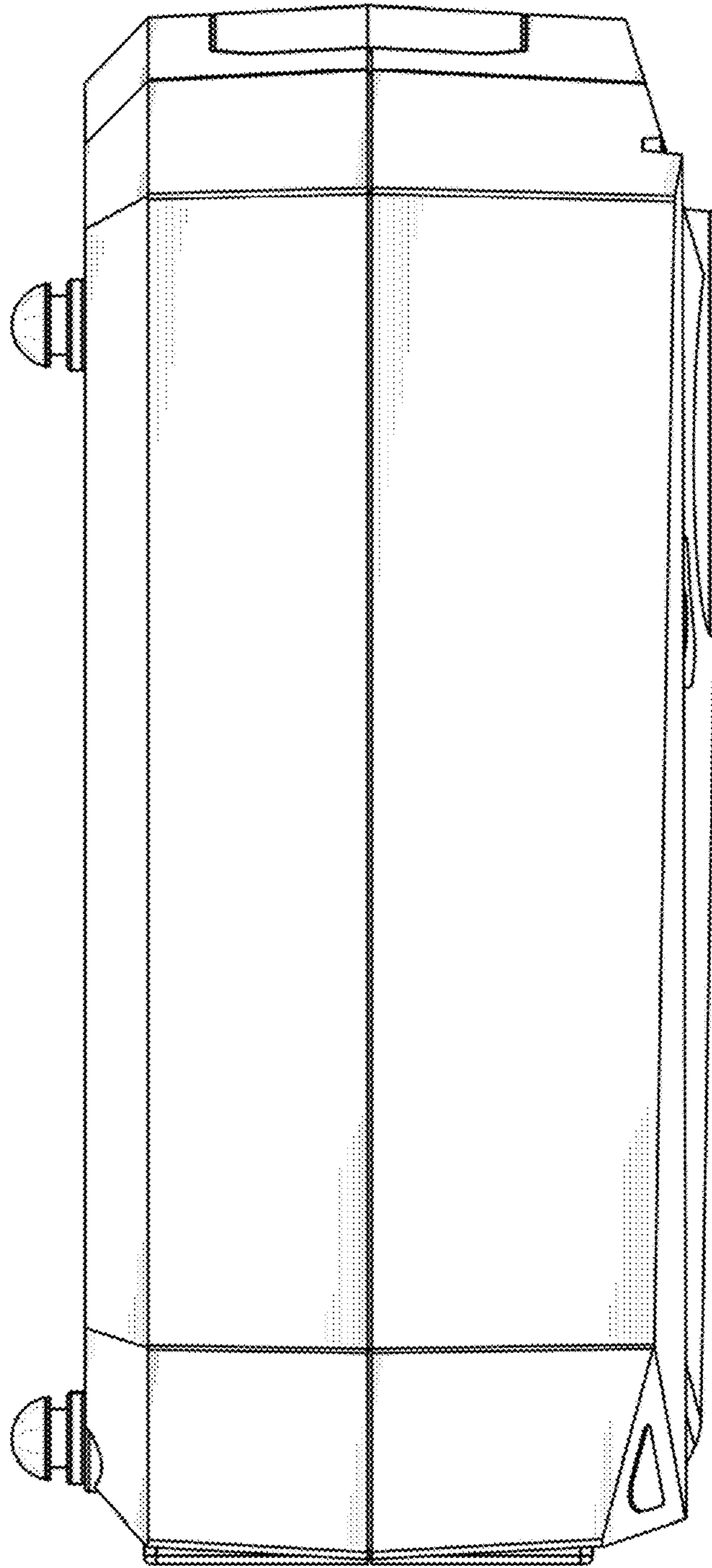


FIG.4

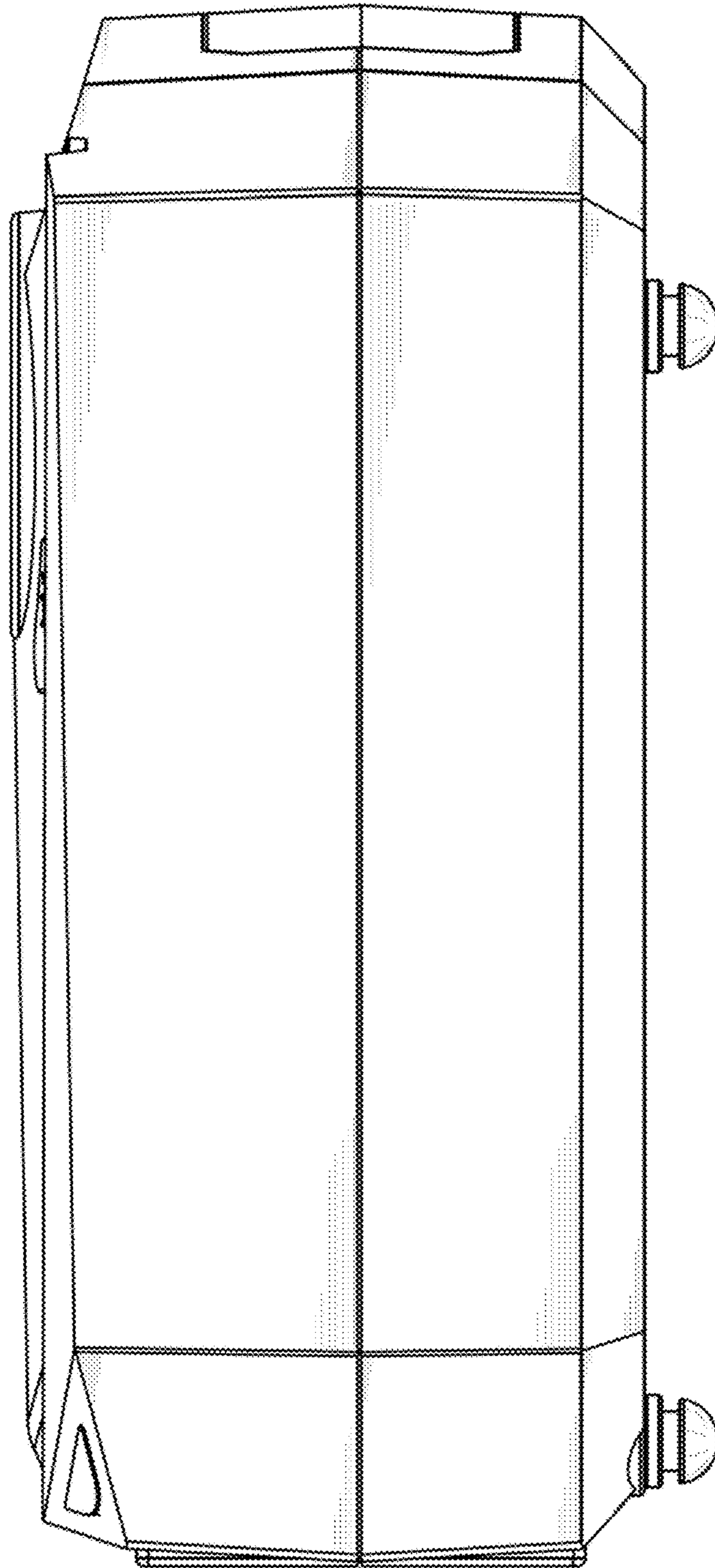


FIG. 5

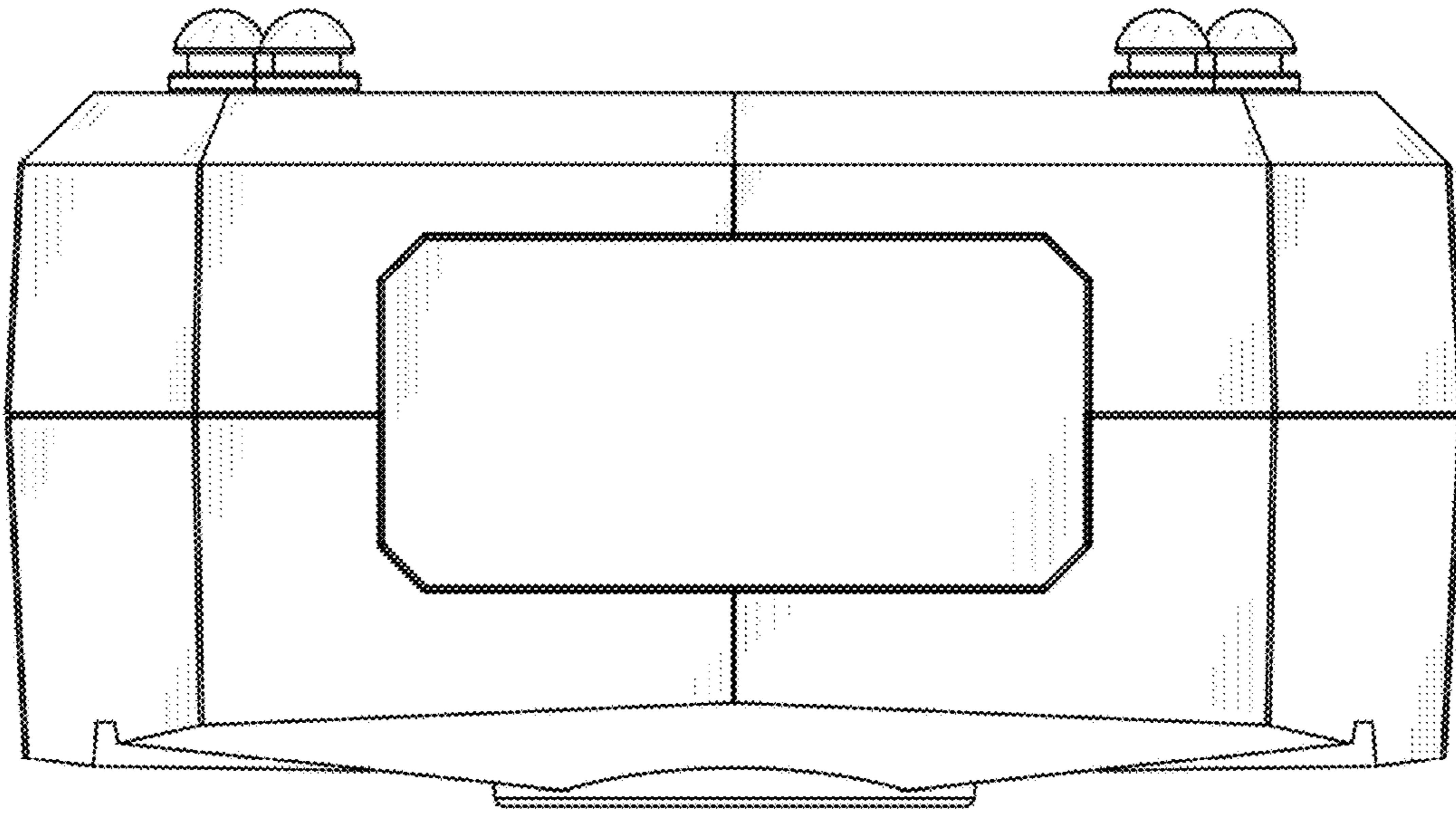


FIG.6

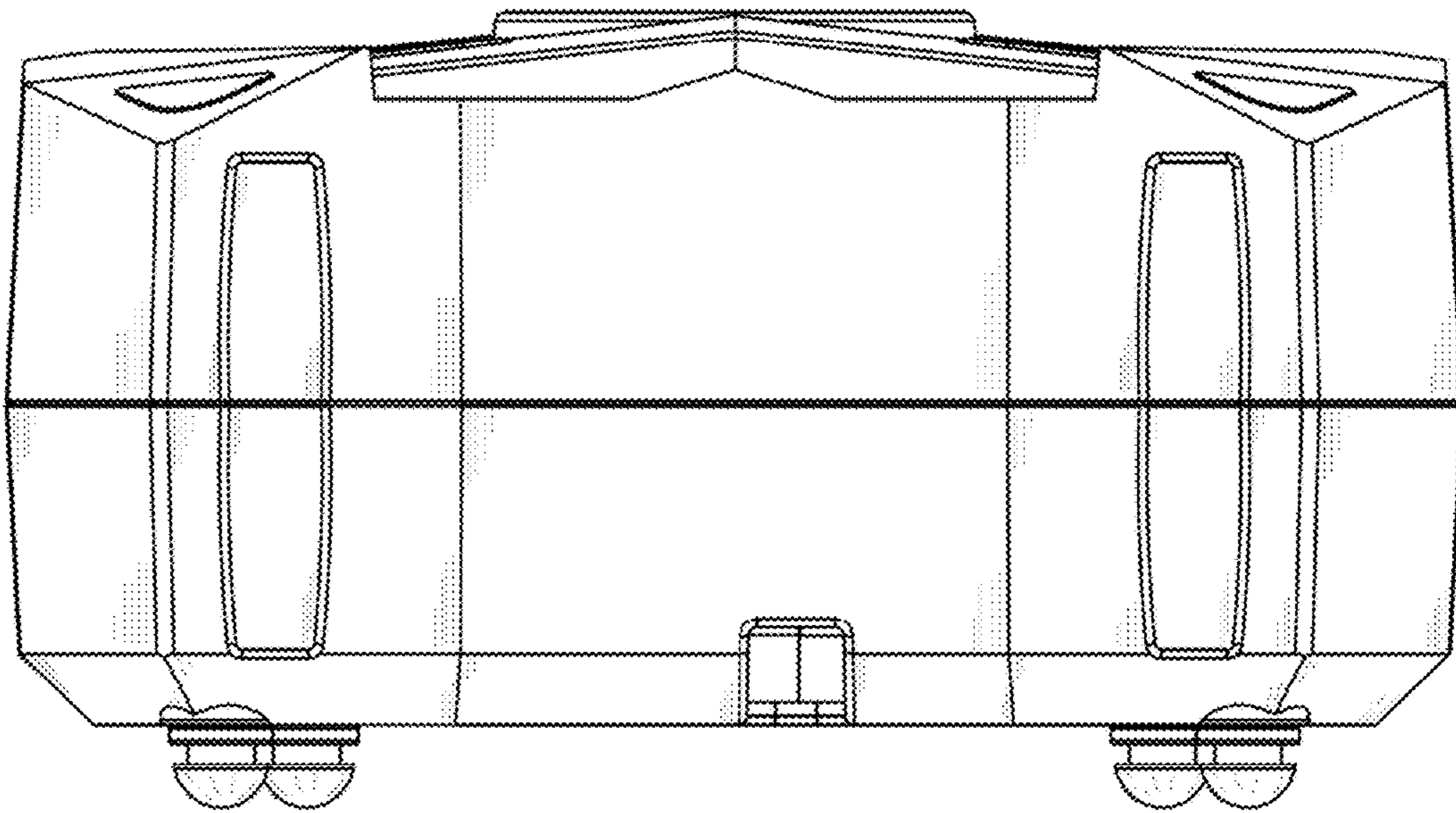


FIG. 7