



US00D855657S

(12) **United States Design Patent** (10) **Patent No.:** **US D855,657 S**  
**Coates et al.** (45) **Date of Patent:** **\*\* Aug. 6, 2019**

(54) **FRONT COVER FOR SUPERCHARGER**

(71) Applicant: **Eaton Corporation**, Cleveland, OH (US)

(72) Inventors: **Michael Ernest Coates**, Marshall, MI (US); **Brandon John Elliott**, Ceresco, MI (US); **Eric Jon Locker**, Kalamazoo, MI (US)

(\*\*) Term: **15 Years**

(21) Appl. No.: **29/558,672**

(22) Filed: **Mar. 21, 2016**

(51) **LOC (12) Cl.** ..... **15-01**

(52) **U.S. Cl.**  
USPC ..... **D15/5**

(58) **Field of Classification Search**  
USPC ..... D15/1-5; D23/262; D8/282  
CPC ..... F04C 18/126; F04C 18/16; F04C 29/12; F04C 18/084; F04C 18/18  
See application file for complete search history.

7,137,384 B1 11/2006 Kavadeles  
7,604,467 B2 10/2009 Prior  
7,726,286 B2 6/2010 Gregory et al.  
7,845,921 B2 12/2010 Prior  
7,866,966 B2 1/2011 Swartzlander  
7,934,581 B2 5/2011 Kim et al.  
8,096,797 B2 1/2012 Kaplan et al.  
8,419,399 B2 4/2013 Kaplan et al.  
8,632,324 B2 1/2014 Swartzlander  
8,813,492 B2 8/2014 Hansen et al.  
D718,043 S 11/2014 Hamburger  
8,932,033 B2 1/2015 Ouwenga  
2003/0084888 A1 5/2003 LeBold  
2004/0208770 A1 10/2004 Prior  
2006/0263230 A1 11/2006 Swartzlander  
2007/0107704 A1 5/2007 Billings et al.  
2008/0060622 A1 3/2008 Prior

(Continued)

*Primary Examiner* — T Chase Nelson  
*Assistant Examiner* — Ania Aman  
(74) *Attorney, Agent, or Firm* — RMCK Law Group PLC

(57) **CLAIM**

The ornamental design for a front cover for supercharger, as shown and described.

(56) **References Cited**

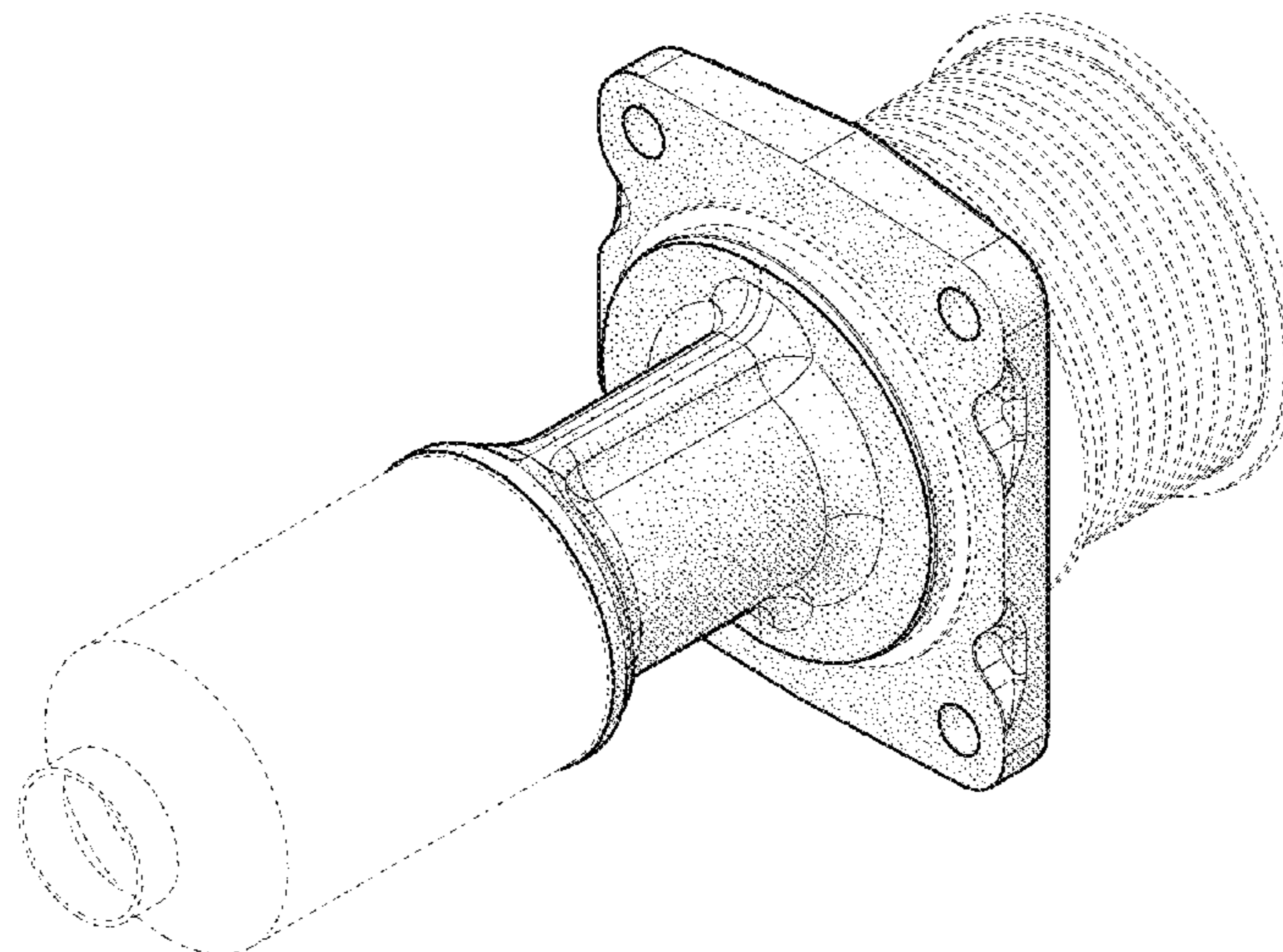
U.S. PATENT DOCUMENTS

2,463,080	A	3/1949	Beier	
2,654,530	A	10/1953	Sidney	
D235,343	S *	6/1975	Otto	D23/262
4,075,991	A	2/1978	Mettig et al.	
D255,353	S	6/1980	Ullrich	
4,556,373	A	12/1985	Soeters	
4,609,335	A	9/1986	Uthoff	
4,768,934	A	9/1988	Soeters	
4,844,044	A	7/1989	McGovern	
5,078,583	A	1/1992	Hampton et al.	
5,083,907	A	1/1992	Brownell	
5,131,829	A	7/1992	Hampton	
6,758,661	B1	7/2004	Thelen	
6,837,195	B2	1/2005	Suwazono	
6,884,050	B2	4/2005	Prior	

**DESCRIPTION**

FIG. 1 is a first perspective view of a front cover for supercharger showing our new design.  
FIG. 2 is a second perspective view of the front cover of FIG. 1.  
FIG. 3 is a first side view of the front cover of FIG. 1.  
FIG. 4 is a second side view of the front cover of FIG. 1.  
FIG. 5 is a third side view of the front cover of FIG. 1.  
FIG. 6 is a fourth side view of the front cover of FIG. 1.  
FIG. 7 is a first end view of the front cover of FIG. 1; and,  
FIG. 8 is a second end view of the front cover of FIG. 1.  
The broken lines showing portions of the front cover form no part of the claimed design.

**1 Claim, 5 Drawing Sheets**



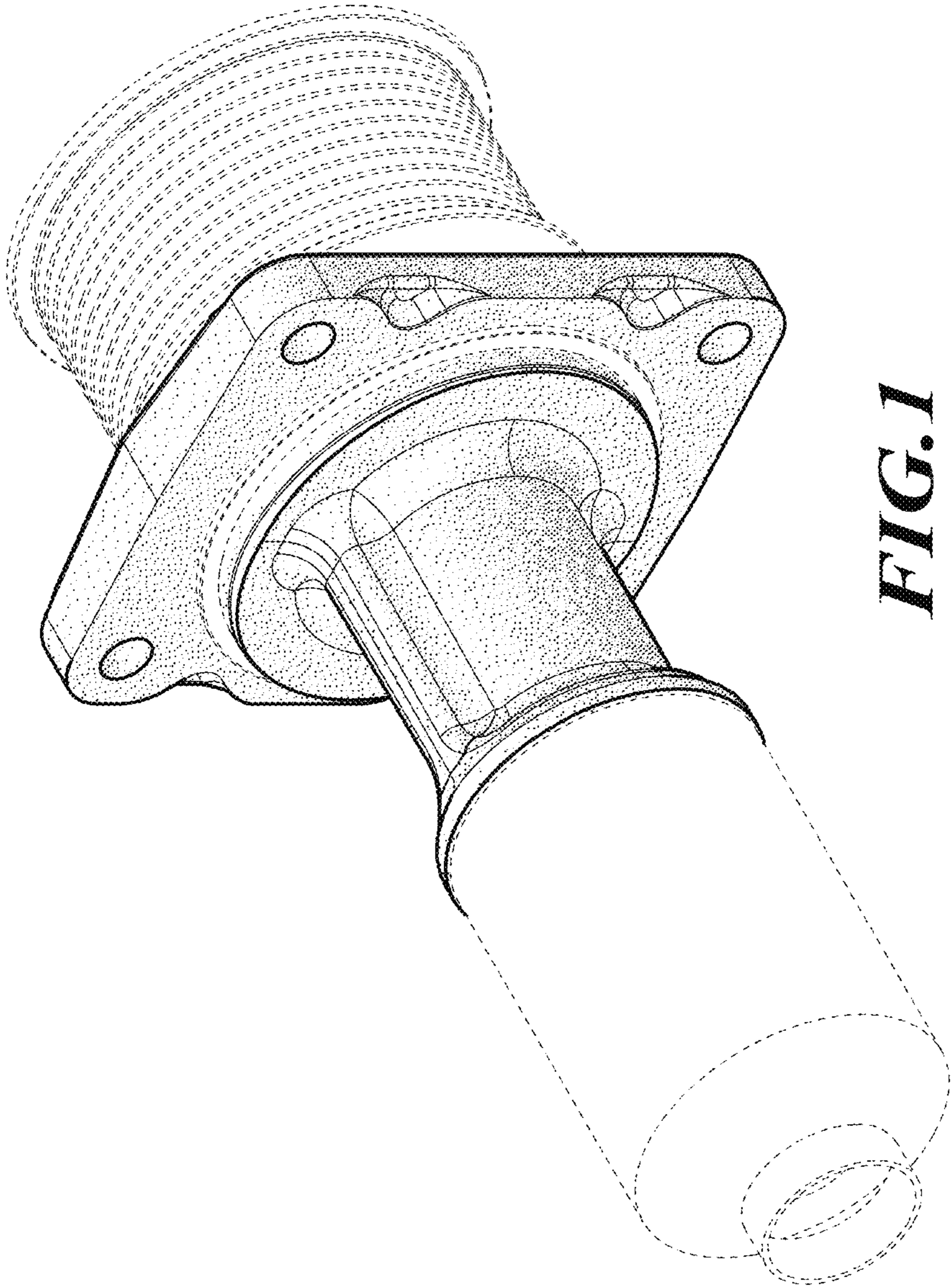
(56)

**References Cited**

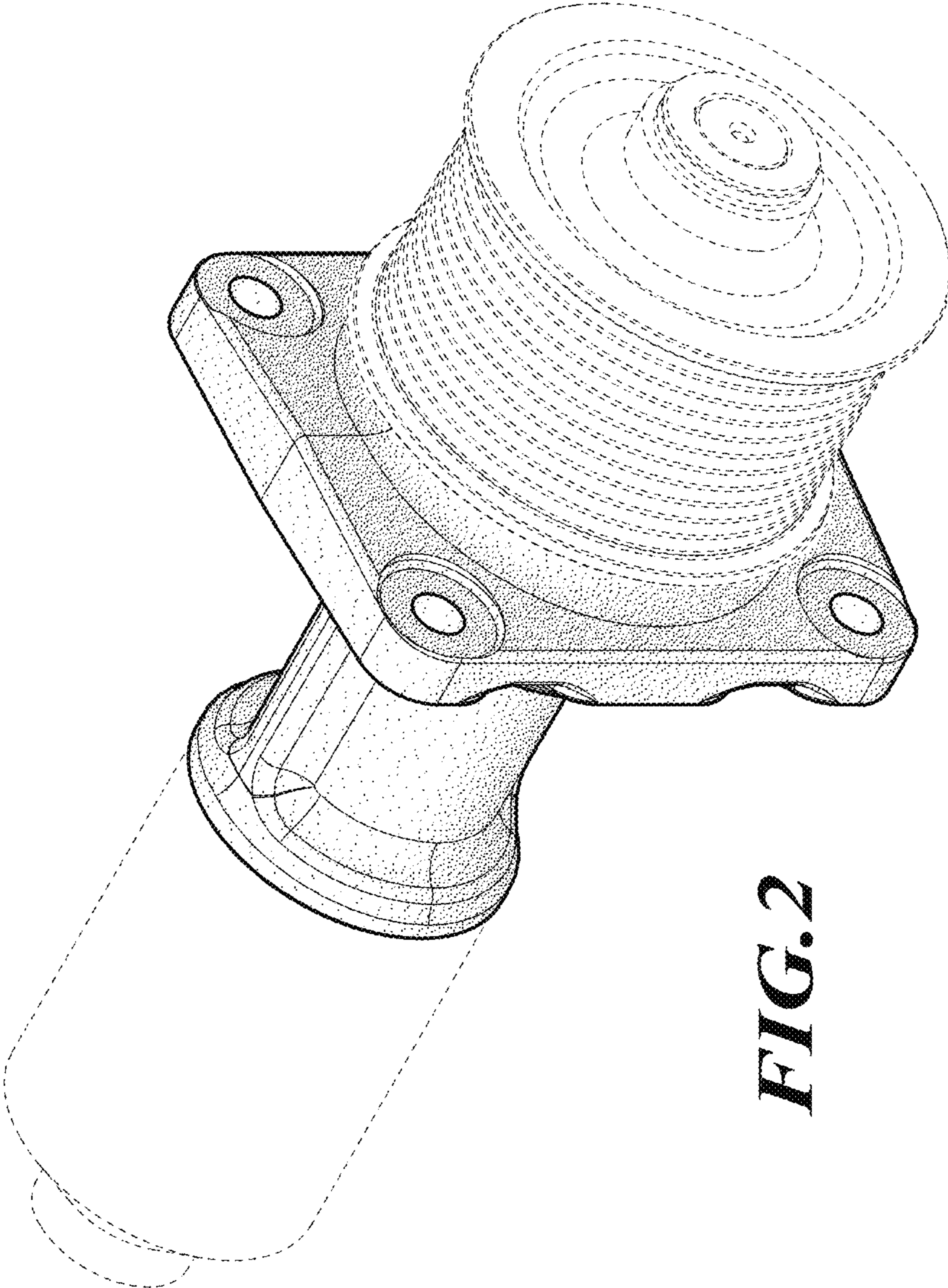
## U.S. PATENT DOCUMENTS

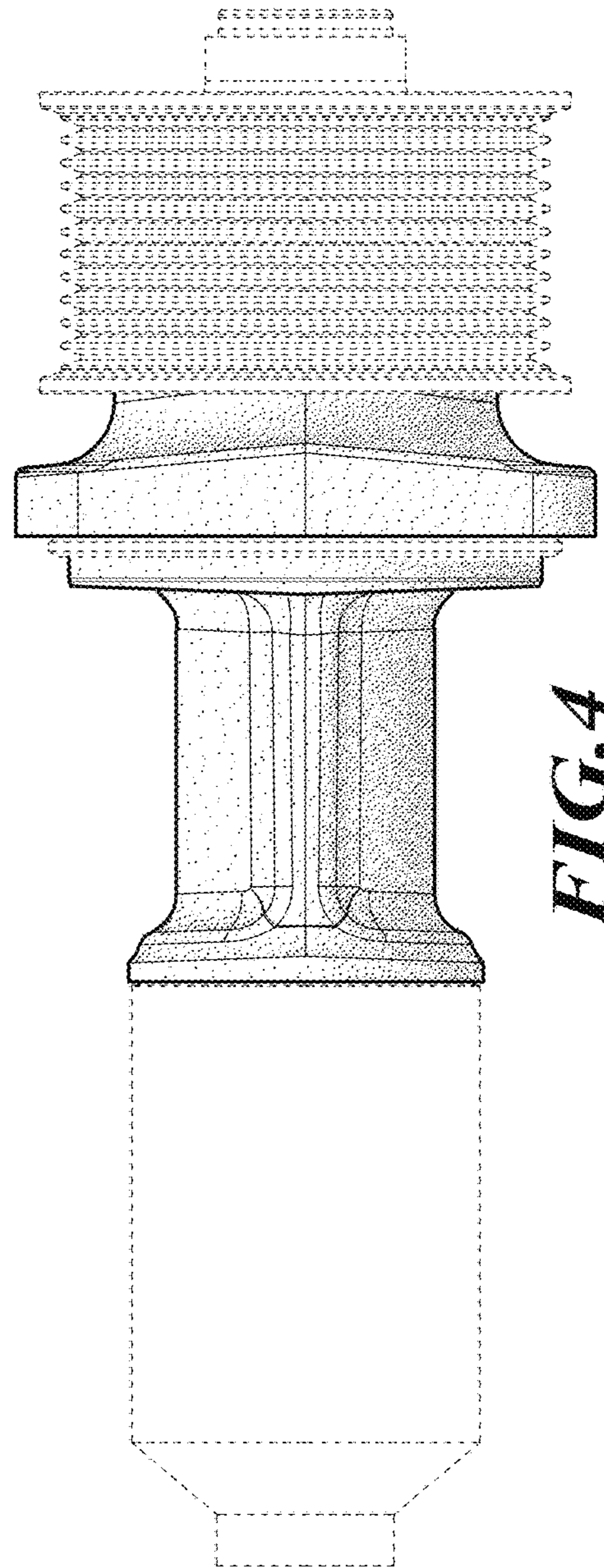
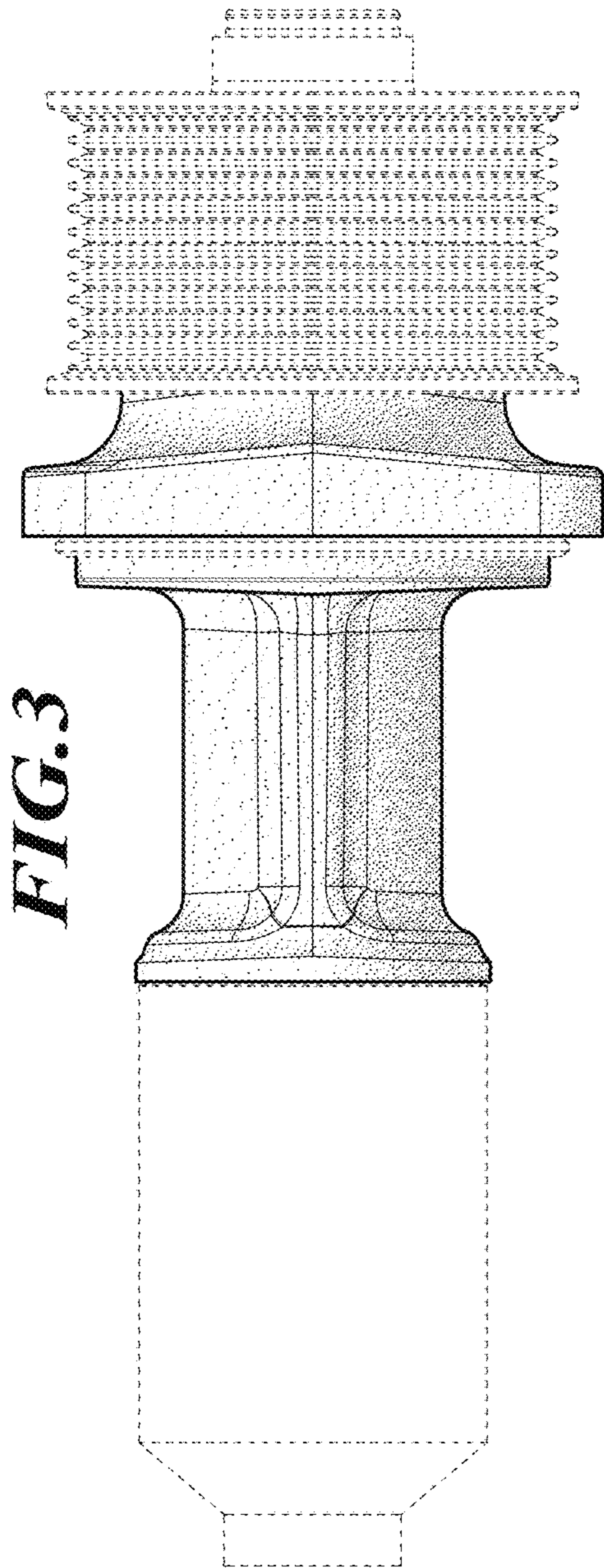
2008/0060623	A1	3/2008	Prior	
2008/0175739	A1	7/2008	Prior	
2008/0292452	A1	11/2008	Prior et al.	
2009/0004038	A1	1/2009	Prior et al.	
2009/0211244	A1	8/2009	Wegner et al.	
2009/0232689	A1	9/2009	Prior	
2010/0086402	A1	4/2010	Ouwenga et al.	
2011/0083432	A1	4/2011	Hansen et al.	
2011/0150671	A1	6/2011	Ouwenga	
2014/0017101	A1	1/2014	Staley	
2014/0193285	A1	7/2014	Swartzlander	
2014/0209071	A1	7/2014	Rienas et al.	
2014/0224230	A1	8/2014	Simons et al.	
2015/0047617	A1*	2/2015	Benjey .....	B60K 6/485 123/559.3
2016/0003250	A1*	1/2016	McWilliams .....	F02B 33/38 418/206.2
2016/0237885	A1*	8/2016	Fortini .....	F16D 27/112
2016/0319733	A1*	11/2016	Benjey .....	F02N 11/003
2017/0067464	A1*	3/2017	Swartzlander .....	F04C 18/126
2017/0146012	A1*	5/2017	Swartzlander .....	F04C 18/126
2017/0260981	A1*	9/2017	Swartzlander .....	F04C 18/126

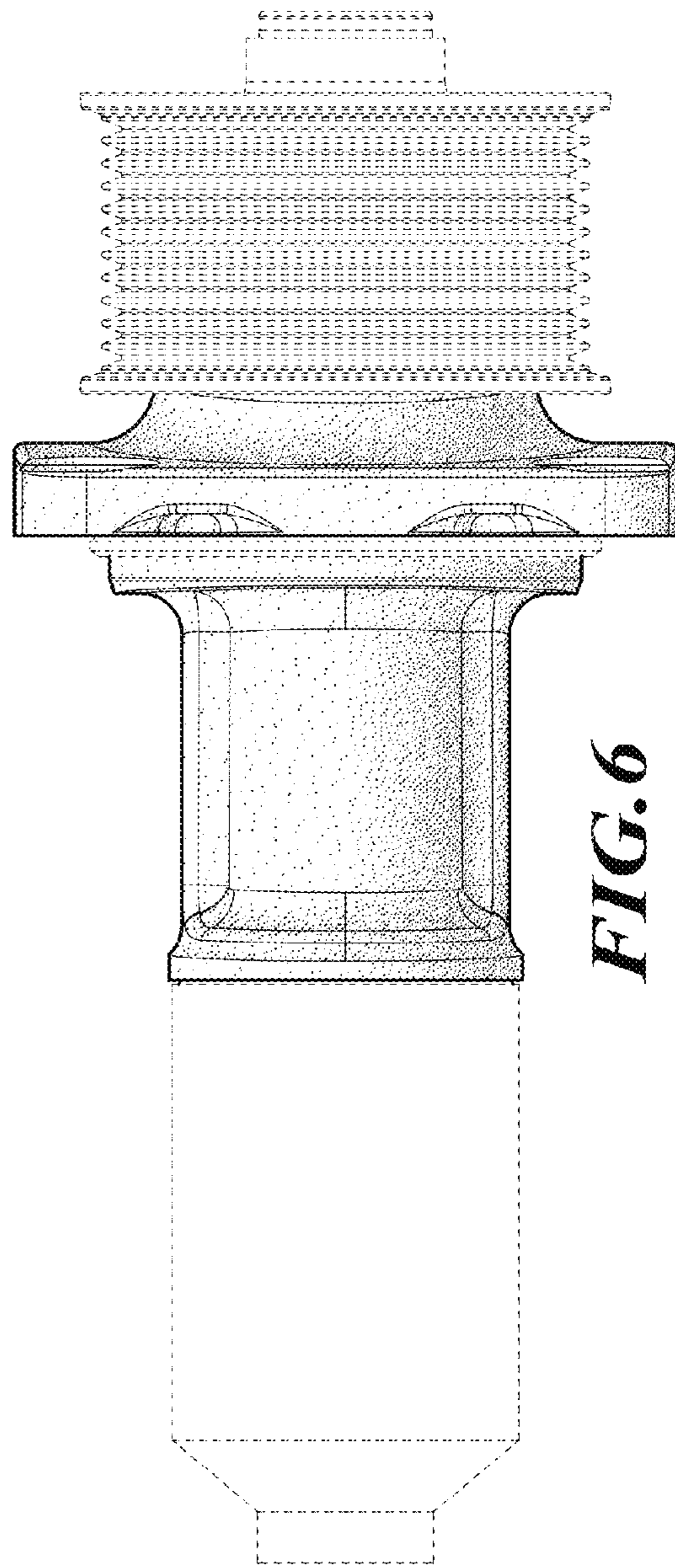
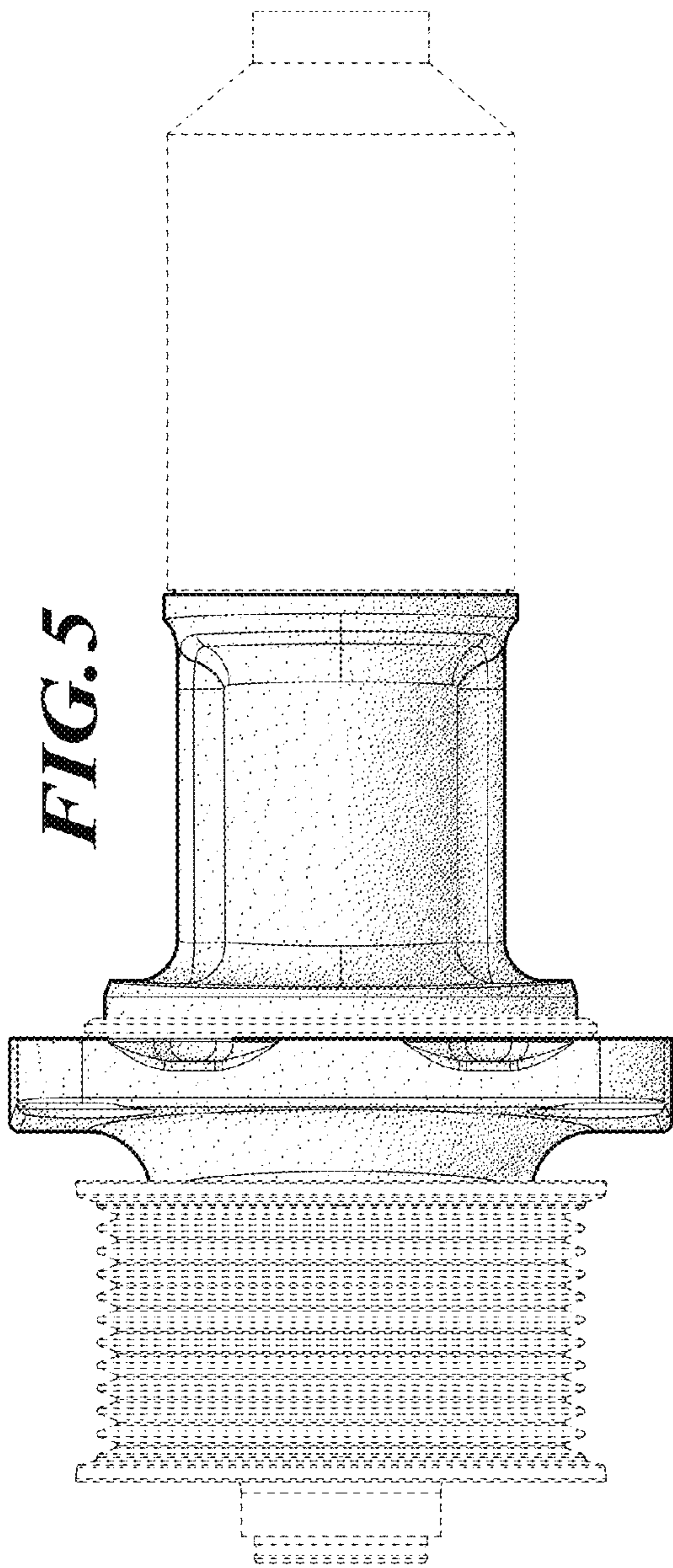
\* cited by examiner

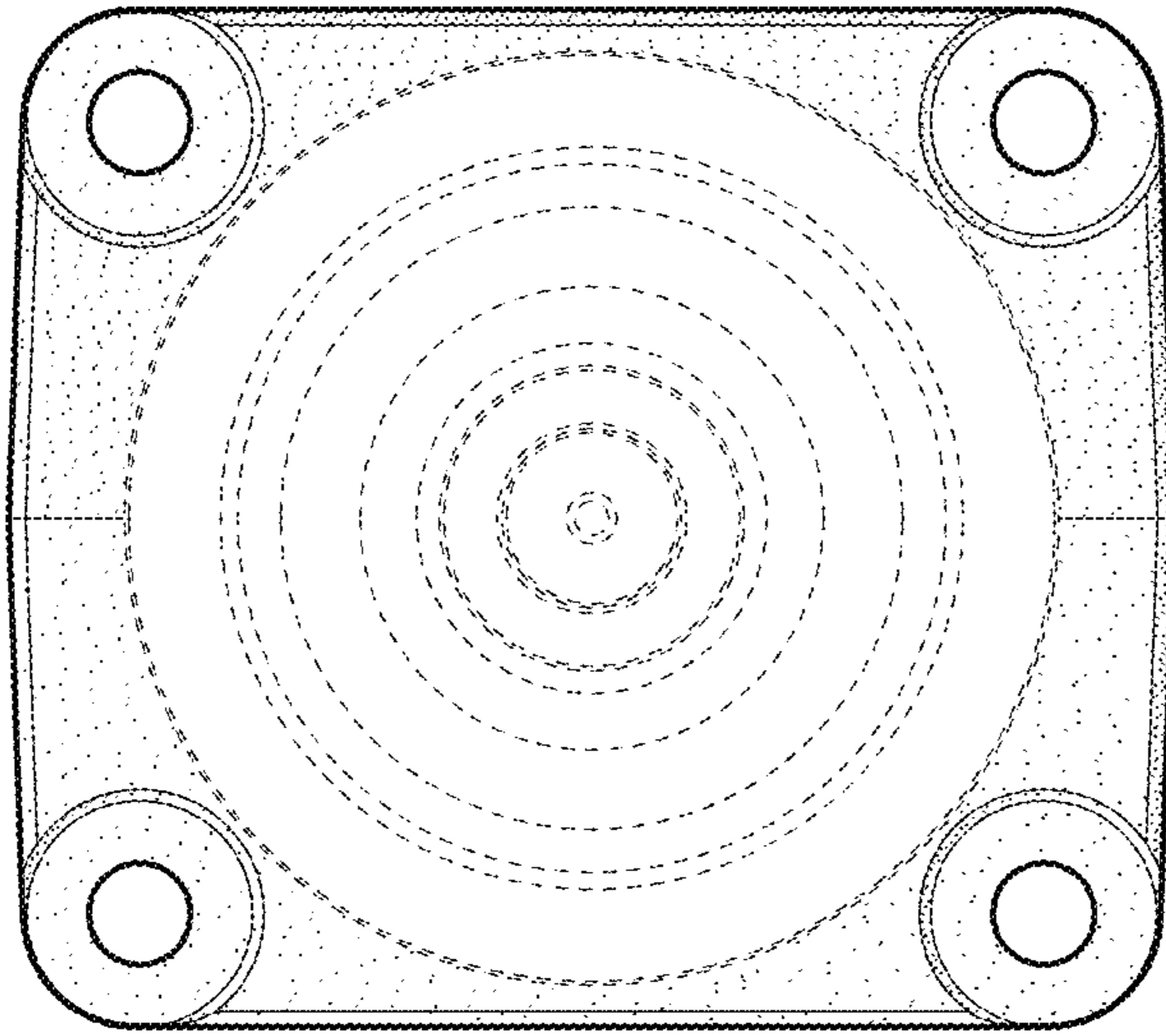


**FIG. 1**

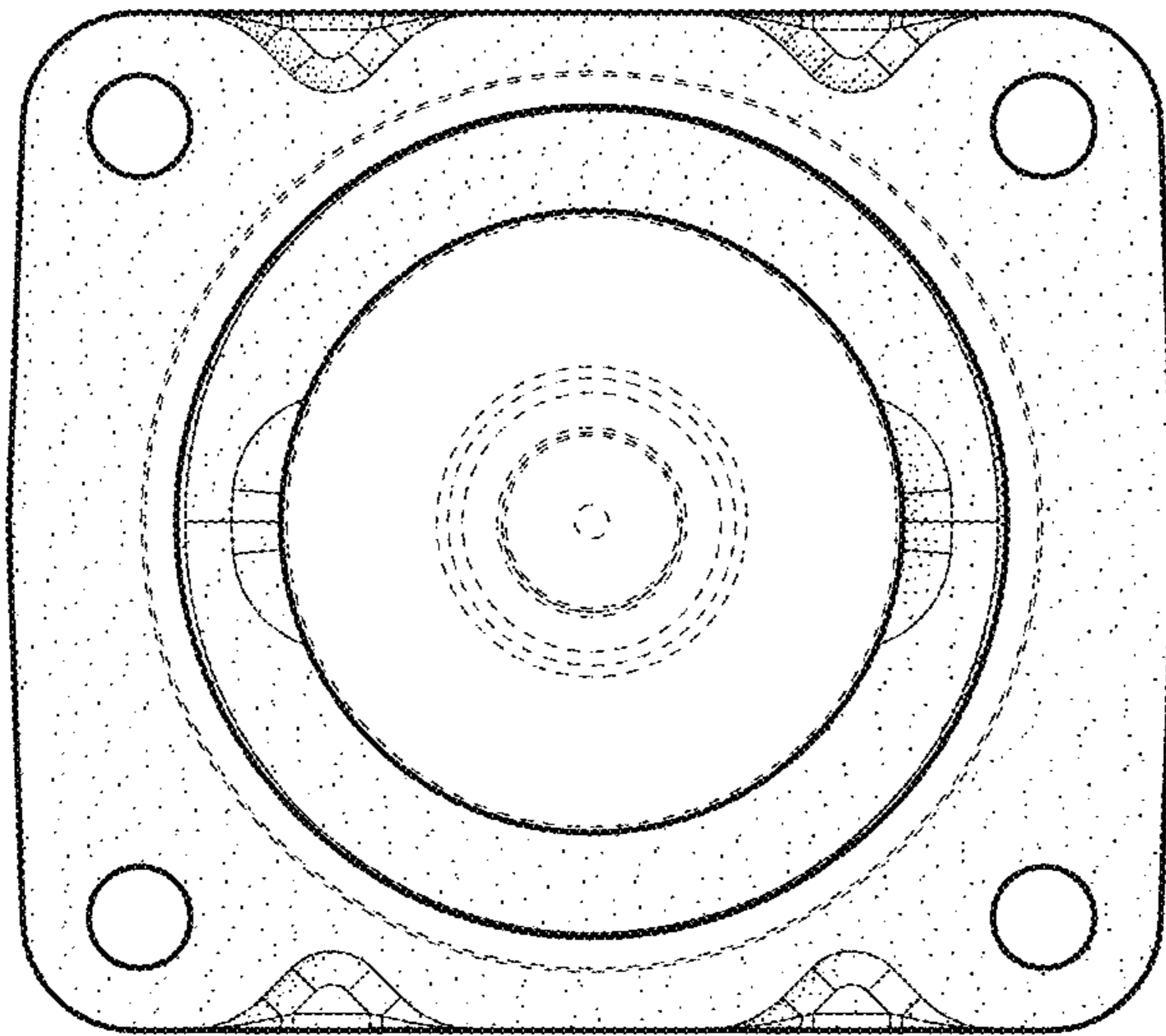








**FIG. 7**



**FIG. 8**