



US00D855649S

(12) **United States Design Patent**  
**Akagawa et al.**

(10) **Patent No.:** **US D855,649 S**

(45) **Date of Patent:** **\*\* Aug. 6, 2019**

(54) **DISPLAY SCREEN OR PORTION THEREOF WITH ANIMATED GRAPHICAL USER INTERFACE**

6,690,991 B1 \* 2/2004 Kobayashi ..... B23Q 17/20  
33/550  
D613,301 S \* 4/2010 Lee ..... D14/489  
D626,131 S \* 10/2010 Kruzeniski ..... D14/485

(Continued)

(71) Applicant: **Sony Corporation**, Tokyo (JP)

(72) Inventors: **Satoshi Akagawa**, Tokyo (JP); **Shinichi Iriya**, Kanagawa (JP); **Yoshihito Ohki**, Tokyo (JP); **Makoto Imamura**, Tokyo (JP); **Takahiro Kawaguchi**, Tokyo (JP); **Masanori Matsushima**, San Mateo, CA (US)

OTHER PUBLICATIONS

“Parts of a Circle”, posted at mathcaptain.com, Oct. 22, 2012, [site visited Oct. 2, 2017]. Available from Internet: <<http://web.archive.org/web/20121022020149/http://www.mathcaptain.com/geometry/parts-of-a-circle.html>>.\*

(Continued)

(73) Assignee: **SONY CORPORATION**, Tokyo (JP)

*Primary Examiner* — Karen E Kearney

(\*\*) Term: **15 Years**

*Assistant Examiner* — John M Otte

(21) Appl. No.: **29/555,305**

(74) *Attorney, Agent, or Firm* — Michael Best and Friedrich LLP

(22) Filed: **Feb. 19, 2016**

(57) **CLAIM**

(51) **LOC (12) Cl.** ..... **14-04**

The ornamental design for a display screen or portion thereof with animated graphical user interface, as shown and described.

(52) **U.S. Cl.**

USPC ..... **D14/489**

(58) **Field of Classification Search**

USPC ..... D14/485–495; D20/11; D21/324, 325  
CPC .... G06F 3/048; G06F 3/04817; G06F 3/0482;  
G06F 3/04842; G06F 3/04883; G06F  
17/211; G06F 17/30053; G06T 11/203;  
B23Q 17/20; B24B 5/00; A61H 1/02;  
A61H 1/0214; H04M 1/67

See application file for complete search history.

**DESCRIPTION**

FIG. 1 is a front view of a display screen or portion thereof with a first image of an animated graphical user interface showing our new design;  
FIG. 2 is a display screen or portion thereof with a second image thereof; and,  
FIG. 3 is a display screen or portion thereof with a third image thereof.

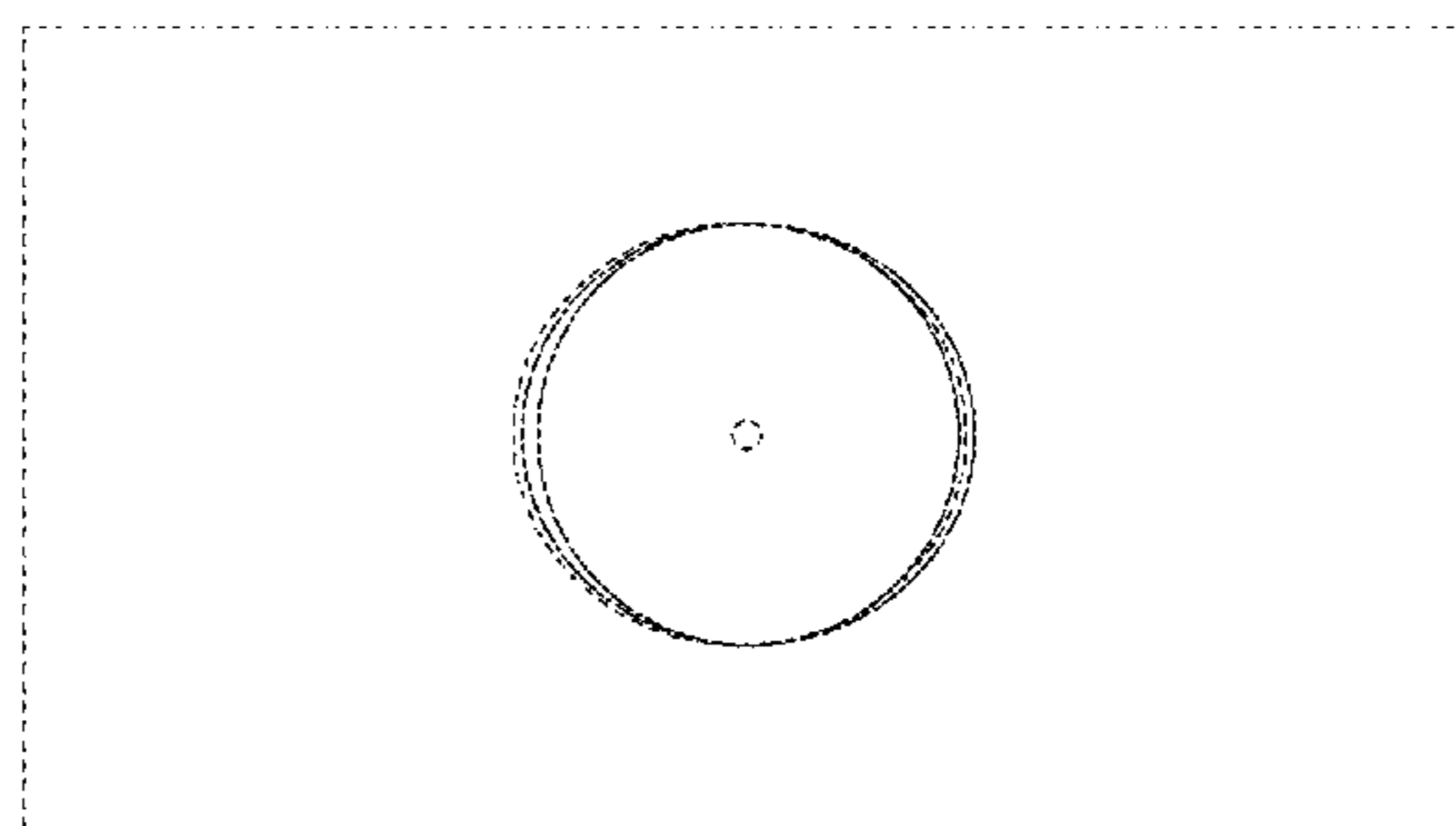
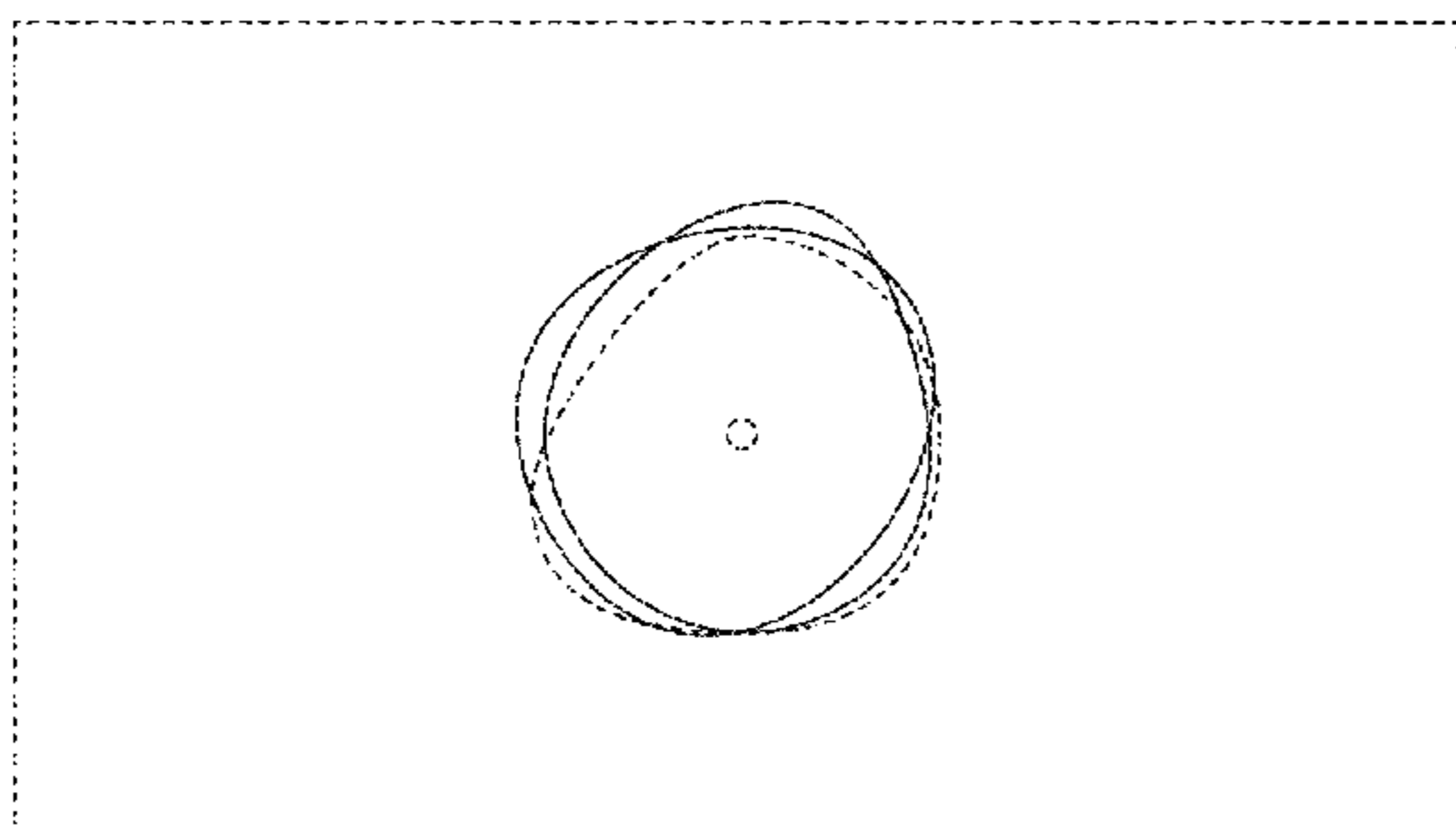
The appearance of the image transitions sequentially between FIGS. 1-3. The process or period in which an image transitions to another forms no part of the claimed design. The outermost broken lines showing the display screen or portion thereof and all other broken lines showing portions of the animated graphical user interface are included for the purpose of illustrating portions of the article and form no part of the claimed design.

(56) **References Cited**

U.S. PATENT DOCUMENTS

5,784,056 A \* 7/1998 Nielsen ..... G06F 3/04812  
715/839  
D441,543 S \* 5/2001 Lewis ..... D5/62  
D452,692 S 1/2002 Fukuda  
D453,167 S 1/2002 Hasegawa et al.  
D459,361 S 6/2002 Inagaki  
6,535,213 B1 \* 3/2003 Ogino ..... G06T 11/203  
345/441

**1 Claim, 3 Drawing Sheets**



(56)

References Cited

U.S. PATENT DOCUMENTS

D627,360 S \* 11/2010 Aarseth ..... D14/485  
 D652,426 S \* 1/2012 Anzures ..... D14/488  
 D710,862 S \* 8/2014 Wang ..... D14/485  
 D713,414 S \* 9/2014 Lee ..... D14/486  
 D714,340 S \* 9/2014 Mason ..... D14/489  
 D716,823 S \* 11/2014 Wood ..... D14/485  
 D750,101 S \* 2/2016 Bates ..... D14/485  
 D750,102 S \* 2/2016 Bates ..... D14/485  
 D750,103 S \* 2/2016 Bates ..... D14/485  
 D760,777 S \* 7/2016 Lee ..... D14/489  
 D760,778 S \* 7/2016 Lee ..... D14/489  
 D760,790 S \* 7/2016 Ishii et al.  
 D762,655 S \* 8/2016 Kai ..... D14/485  
 D762,672 S \* 8/2016 Lee ..... D14/485  
 D762,673 S \* 8/2016 Seo ..... D14/485  
 D763,269 S \* 8/2016 Lee ..... D14/485  
 D763,868 S \* 8/2016 Lee ..... D14/485  
 D763,871 S \* 8/2016 Yang ..... D14/485  
 D766,298 S \* 9/2016 Bae ..... D14/486  
 D766,924 S \* 9/2016 Wang ..... D14/485  
 D779,533 S \* 2/2017 Liu ..... D14/486  
 D784,363 S \* 4/2017 Fleming ..... D14/485  
 D788,122 S \* 5/2017 Tada ..... D14/485  
 D791,160 S \* 7/2017 Jang ..... D14/486  
 D801,382 S \* 10/2017 Seo ..... D14/489  
 D810,124 S \* 2/2018 Wilberding ..... D14/488  
 D819,677 S \* 6/2018 Sabatelli ..... G06F 3/04817  
 D14/486  
 D831,067 S \* 10/2018 Ekstrand ..... D14/489  
 D839,878 S \* 2/2019 Ishii ..... D14/485  
 2010/0088594 A1 \* 4/2010 Kim ..... G06F 17/211  
 715/274  
 2011/0022982 A1 \* 1/2011 Takaoka ..... G06F 3/04817  
 715/810

2012/0044172 A1\* 2/2012 Ohki ..... G06F 3/04883  
 345/173  
 2012/0288253 A1\* 11/2012 Ohki ..... G06F 17/30053  
 386/230  
 2013/0227450 A1\* 8/2013 Na ..... G06F 3/048  
 715/764

OTHER PUBLICATIONS

“Getting started in figure drawing”, posted at learnhowtodraw.com, Feb. 15, 2015, [site visited Oct. 2, 2017]. Available from Internet: <<https://web.archive.org/web/20010202194400/http://www.learnhowtodraw.com/freehandsketching.html>>.\*  
 Kepler’s Laws Tutorial, posted at tobyrsmith.github.io, Jan. 20, 2016, [site visited Sep. 29, 2017]. Available from Internet: <<https://web.archive.org/web/20160120165104/http://tobyrsmith.github.io/Astro150/Tutorials/Kepler>>.\*  
 Fesenmaier, Kimm, “Wandering Jupiter accounts for our unusual solar system”, posted at phys.org, Mar. 23, 2015, [site visited Sep. 29, 2017]. Available from Internet: <<https://phys.org/news/2015-03-jupiter-accounts-unusual-solar.html>>.\*  
 “Colors Circles GIF” Jan. 3, 2014, posted at giphy.com, [site visited Feb. 19, 2019]. <https://giphy.com/gifs/psychedelic-colors-circles-t1dPkqBqIHcfS>.  
 “circle-pulses.mi\_gif” Aug. 14, 2011, posted at tommoody.us, [site visited Feb. 19, 2019]. [https://tommoody.us/images/aug11/circle-pulses.mi\\_gif](https://tommoody.us/images/aug11/circle-pulses.mi_gif).  
 “SFSN-Circle.gif” May 2016, posted at nhsforthvalley.com, [site visited Feb. 19, 2019]. <https://nhsforthvalley.com/wp-content/uploads/2016/05/SFSN-Circle.gif>.  
 Whyte, Dave, “Circle wave” Aug. 23, 2014, posted at dribbble.com, [site visited Feb. 19, 2019]. <https://dribbble.com/shots/1696376-Circle-wave>.\*

\* cited by examiner

FIG.1

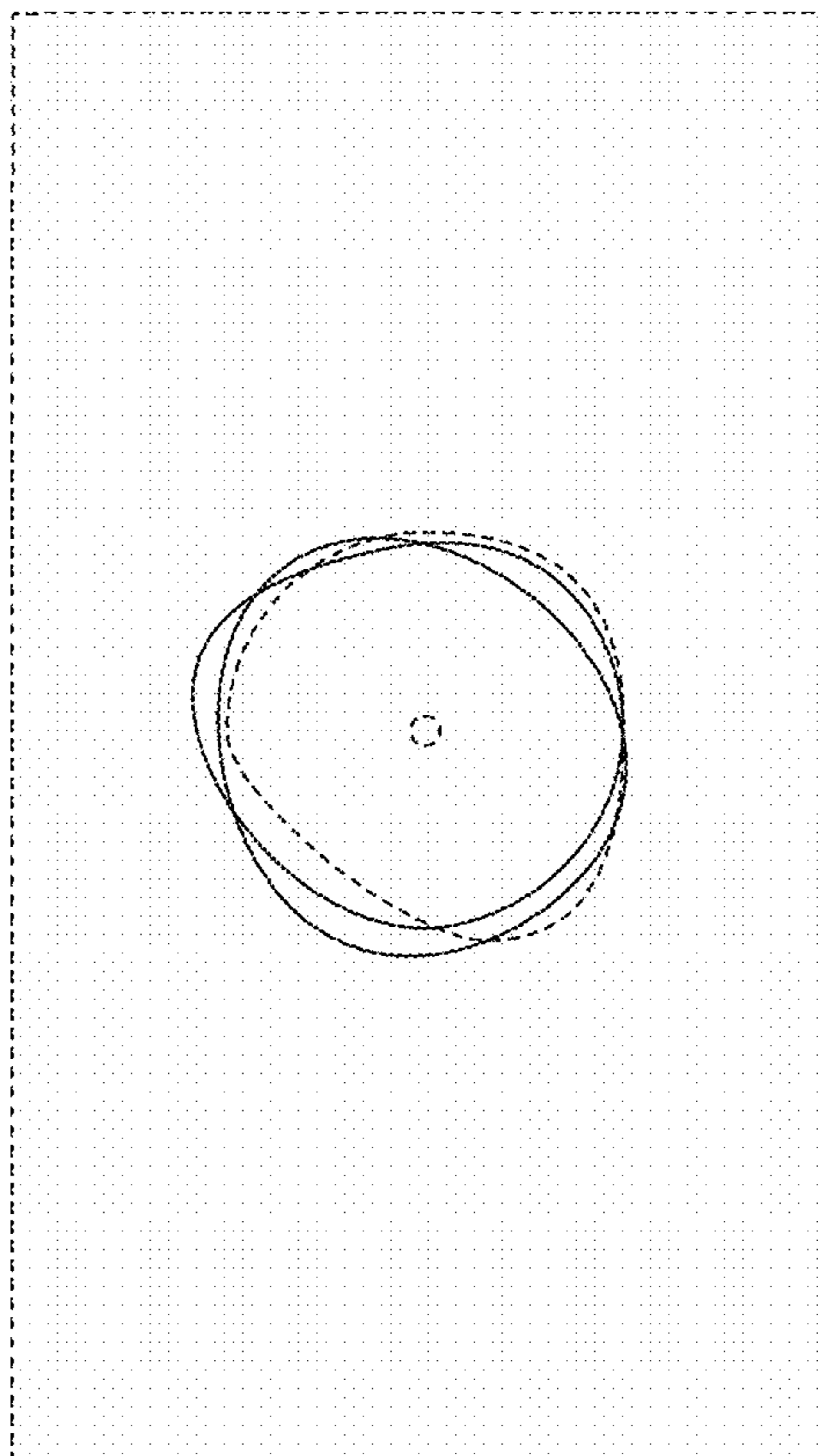


FIG.2

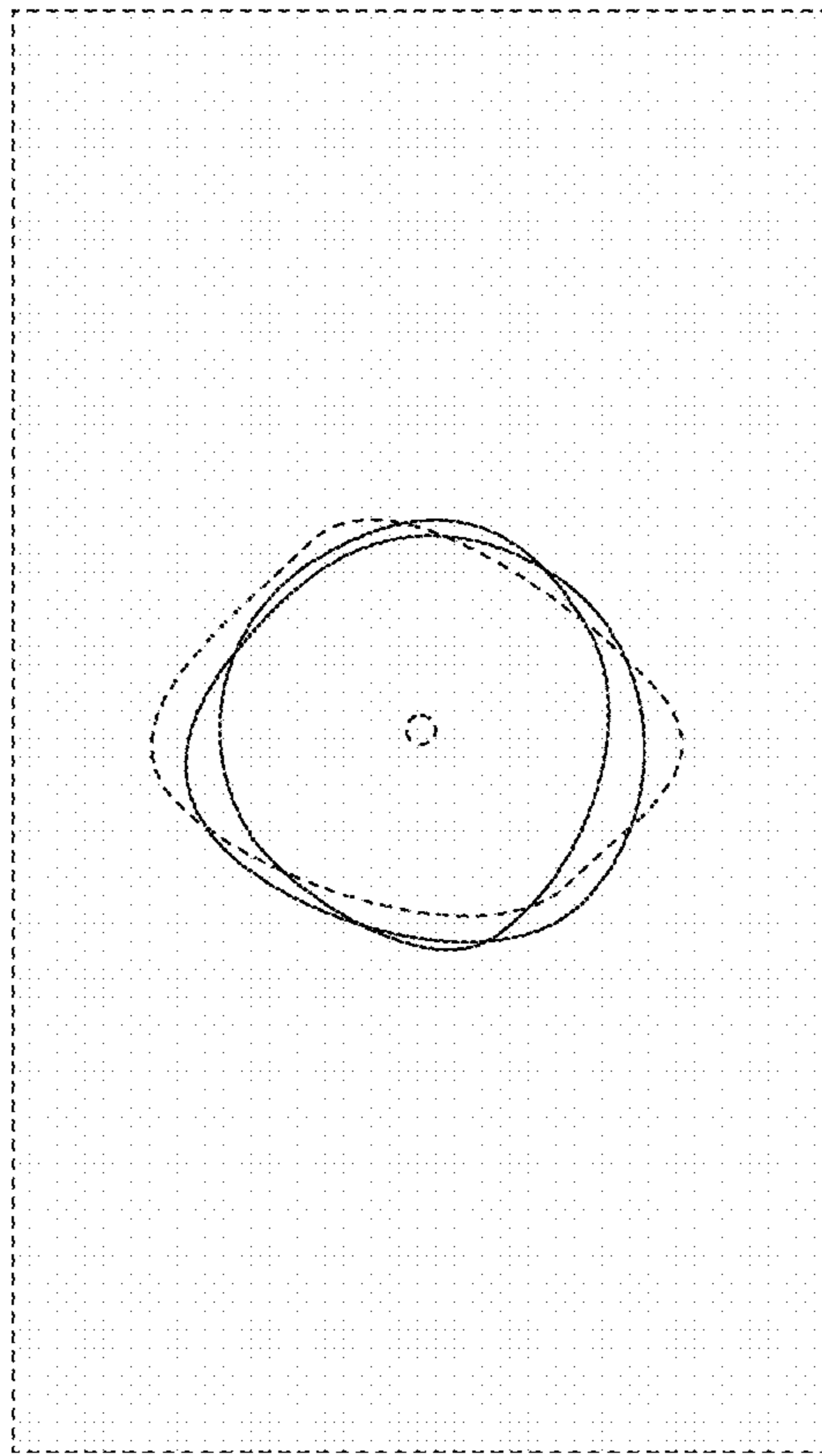


FIG.3

