



US00D855619S

(12) **United States Design Patent**
Latto et al.

(10) **Patent No.:** **US D855,619 S**

(45) **Date of Patent:** **** Aug. 6, 2019**

(54) **ALL-IN-ONE INFORMATION HANDLING SYSTEM STAND**

(71) Applicant: **Dell Products L.P.**, Round Rock, TX (US)

(72) Inventors: **Antonio T. Latto**, Austin, TX (US);
Joseph E. Jasinski, Austin, TX (US);
Cheng-Chia Chiu, New Taipei (TW);
Tifenn M. Boisard, Cedar Park, TX (US);
Daniel A. Phipps, Round Rock, TX (US)

(73) Assignee: **Dell Products L.P.**, Round Rock, TX (US)

(**) Term: **15 Years**

(21) Appl. No.: **29/593,608**

(22) Filed: **Feb. 10, 2017**

(51) **LOC (12) Cl.** **08-07**

(52) **U.S. Cl.**
USPC **D14/447**

(58) **Field of Classification Search**
USPC D14/447, 432, 434, 439, 440, 451, 452,
D14/457, 239; D8/363, 373, 380;
D6/406.3, 406.4, 406.5, 406.6; D12/415
CPC A47B 21/04; A47B 2097/006; A47B
2097/005; A47B 2023/049; A45C
2011/002; A45C 2011/003; F16M
2200/00; F16M 13/00
See application file for complete search history.

(56) **References Cited**

U.S. PATENT DOCUMENTS

D423,822 S * 5/2000 Takemasa D14/239
D478,088 S * 8/2003 Hamouz D14/451

D508,916 S * 8/2005 Lee D14/434
D575,774 S * 8/2008 Harris D14/125
D588,141 S * 3/2009 Heggland D14/434
D598,458 S * 8/2009 Li D14/451
D615,072 S * 5/2010 Saitou D14/239
D653,245 S * 1/2012 Buzzard D14/239
D709,896 S * 7/2014 McKinsty D14/447
D784,998 S * 4/2017 Cutler D14/447
D788,782 S * 6/2017 Lim D14/451
D789,886 S * 6/2017 Socha-Leialoha D13/108

* cited by examiner

Primary Examiner — Angela J Lee

(74) *Attorney, Agent, or Firm* — Terrile, Cannatti & Chambers; Stephen A. Terrile

(57) **CLAIM**

We claim the ornamental design for the all-in-one information handling system stand, as shown and described.

DESCRIPTION

FIG. 1 is a front perspective view of the all-in-one information handling system stand comprising the present invention;

FIG. 2 is a front view thereof;

FIG. 3 is a rear view thereof;

FIG. 4 is a right side view thereof;

FIG. 5 is a left side view thereof;

FIG. 6 is a top view thereof;

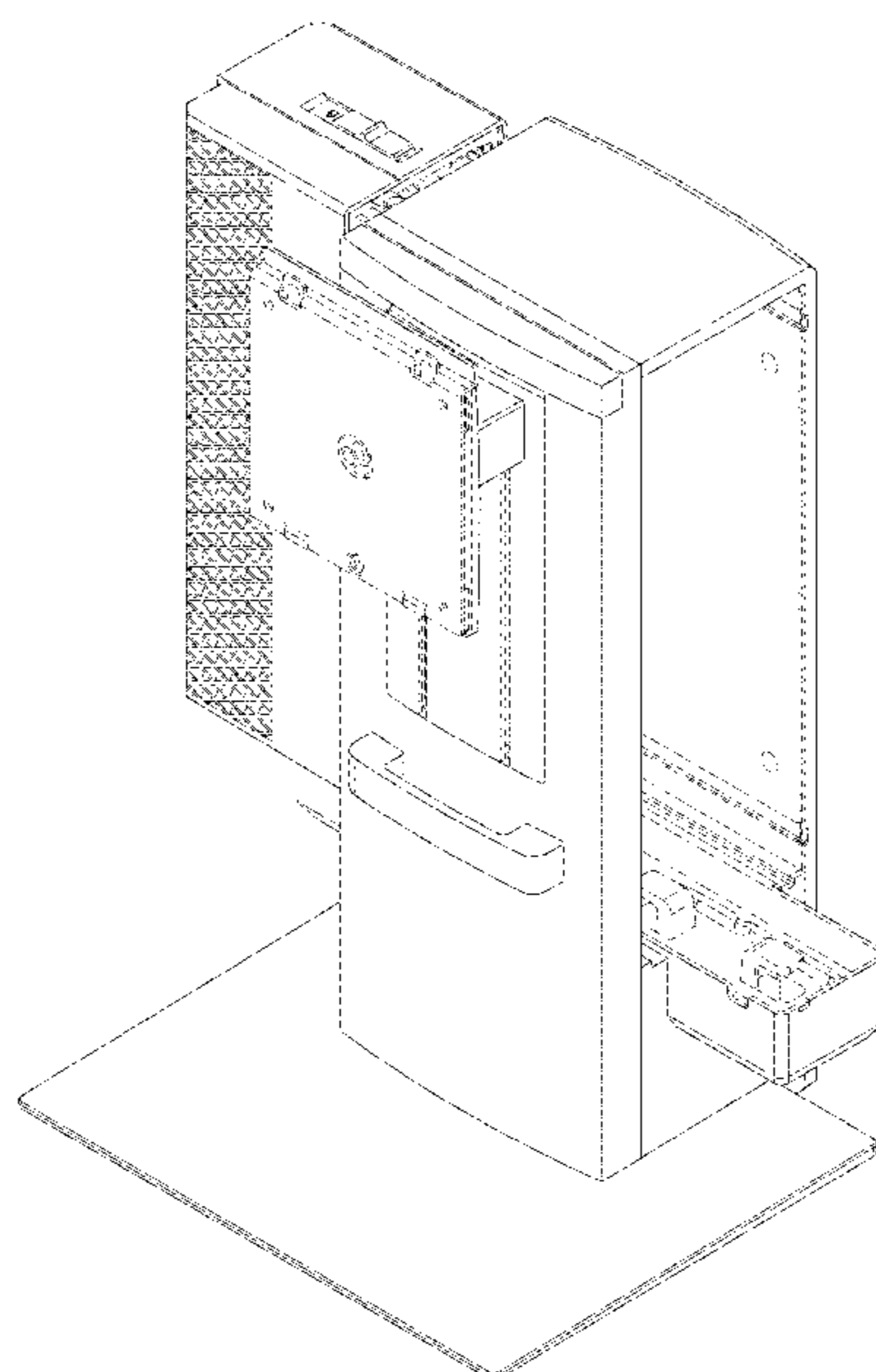
FIG. 7 is a bottom view thereof;

FIG. 8 is a rear perspective view thereof; and,

FIG. 9 is another rear perspective view thereof showing the all-in-one information handling system stand in an alternate position.

Broken lines shown in the drawings illustrate portions of the all-in-one information handling system stand and form no part of the claimed design.

1 Claim, 9 Drawing Sheets



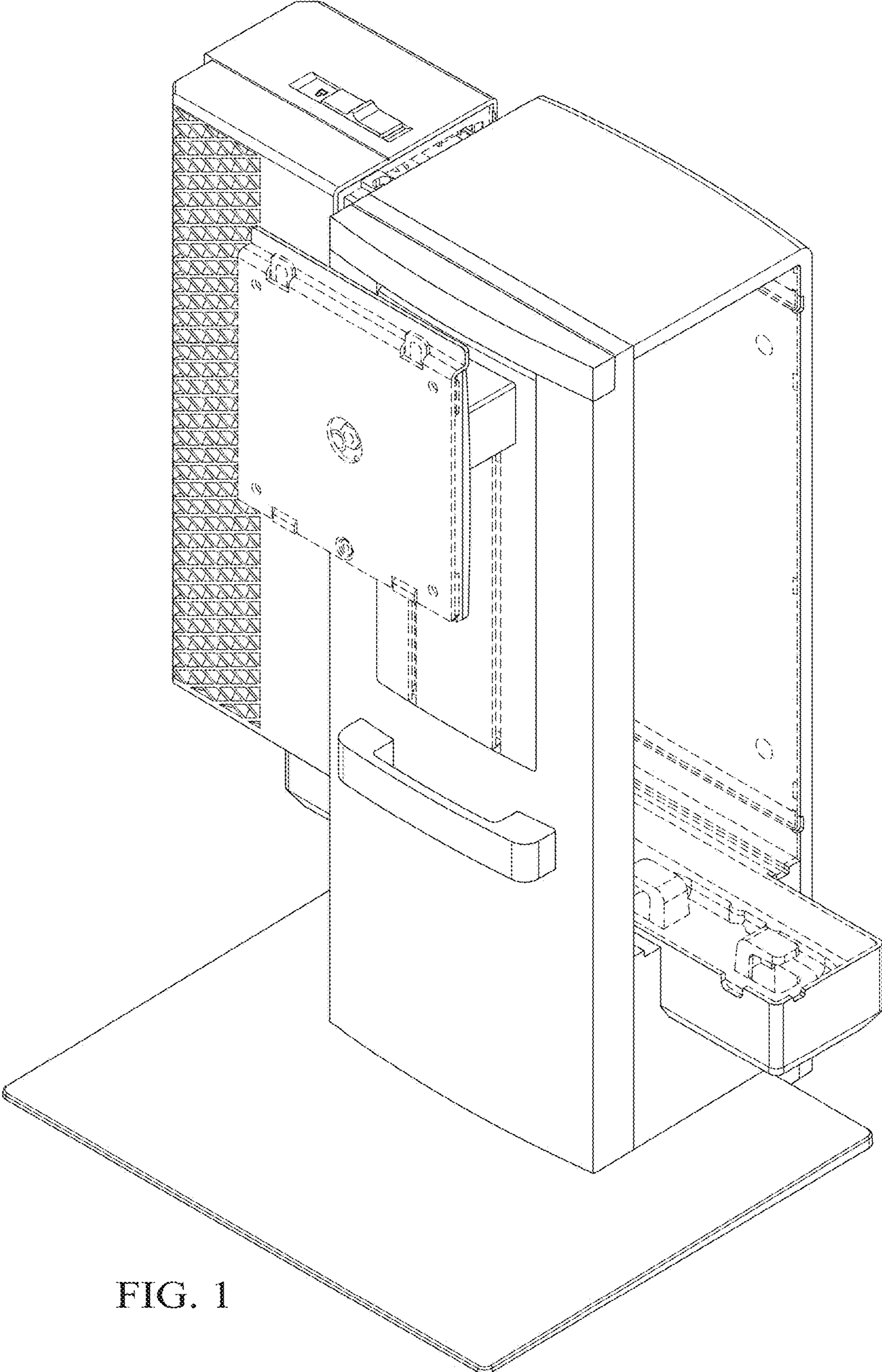


FIG. 1

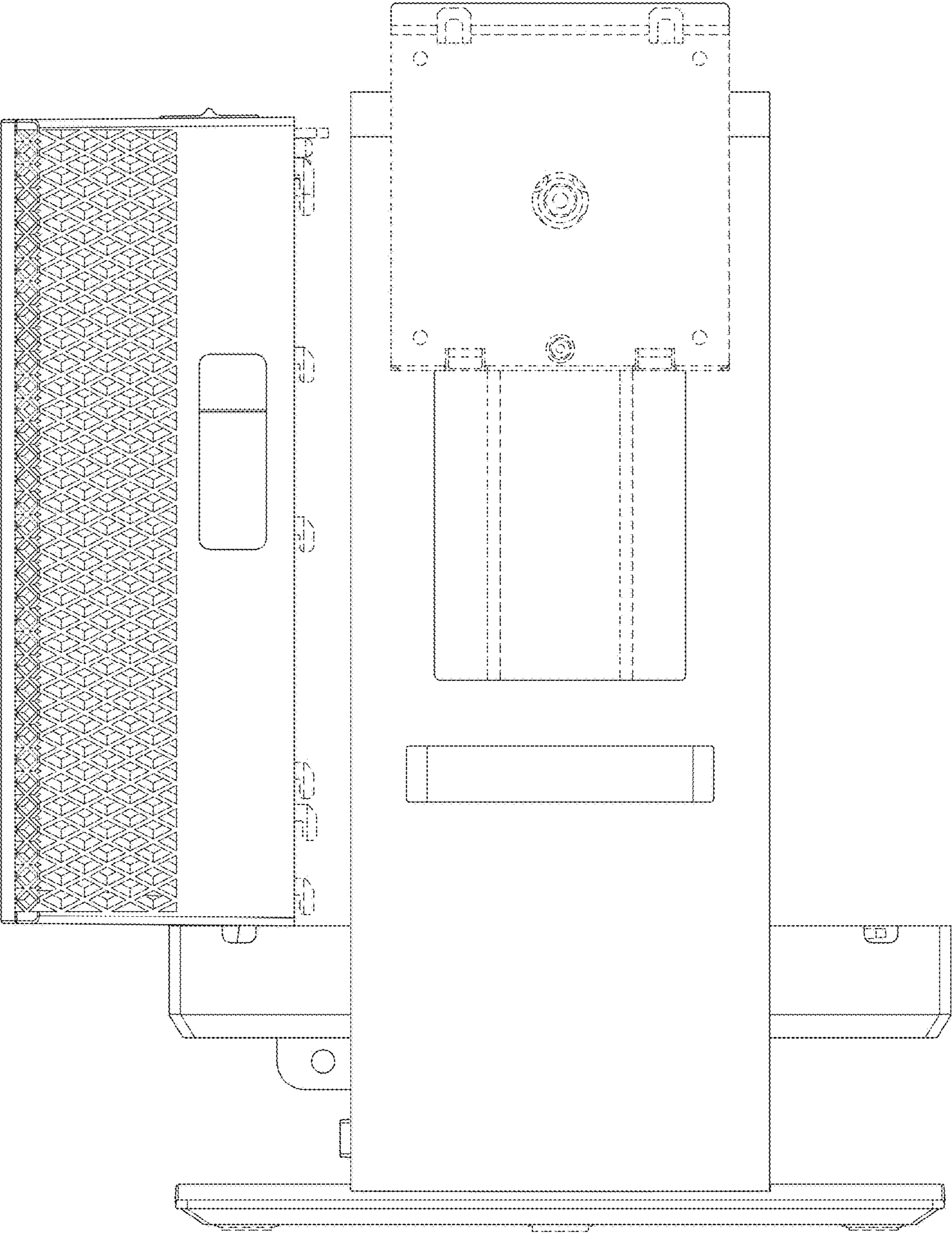


FIG. 2

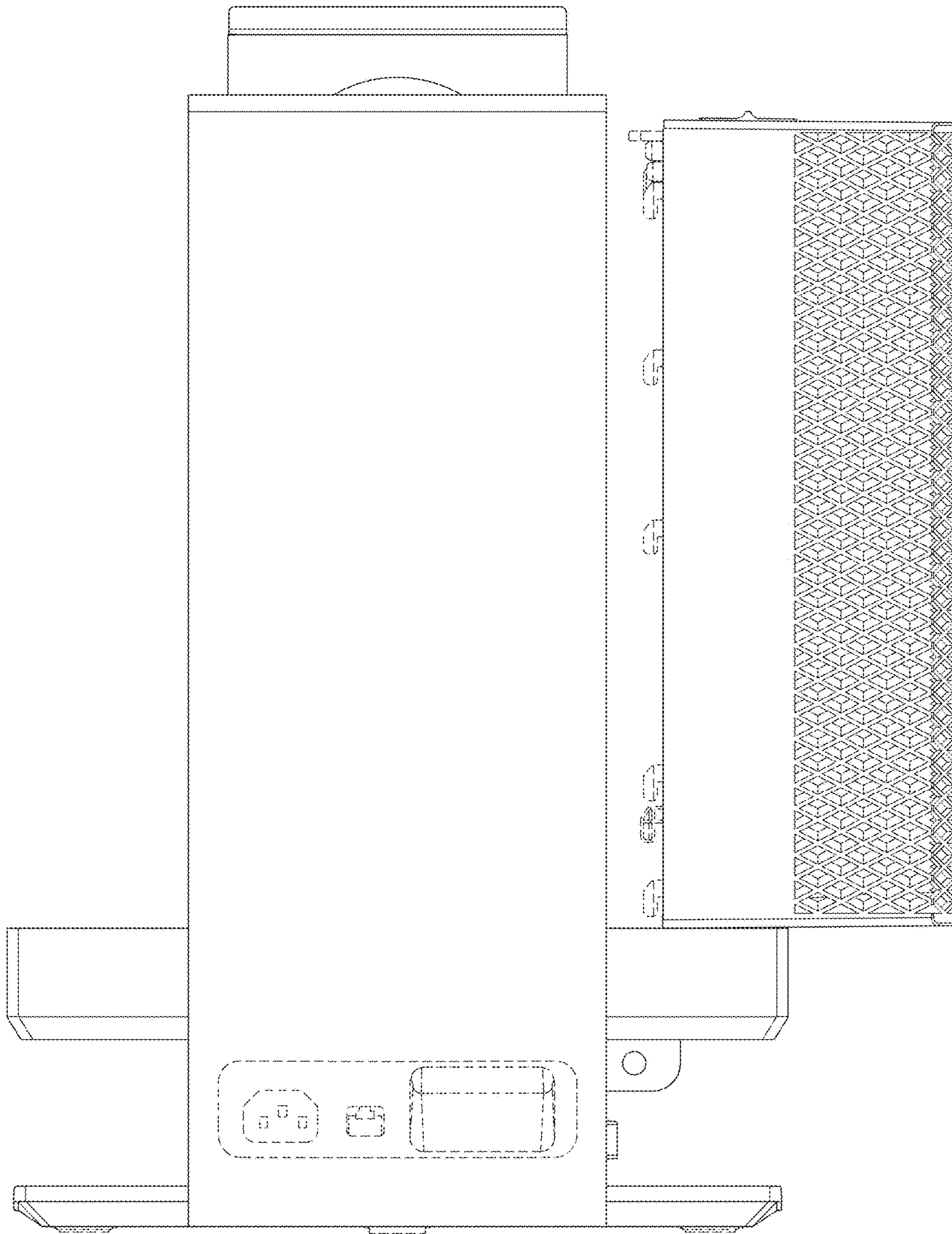


FIG. 3

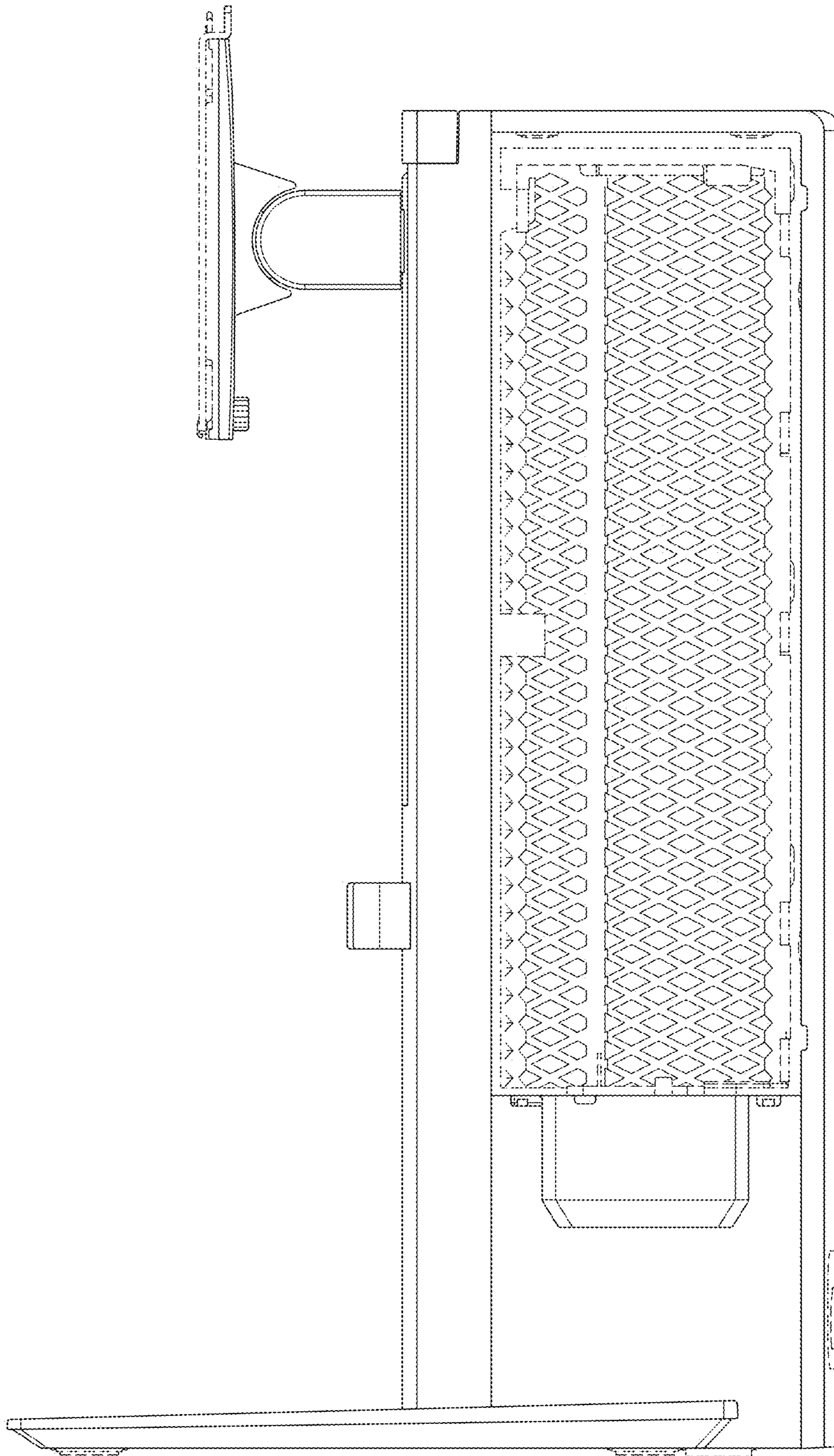


FIG. 4

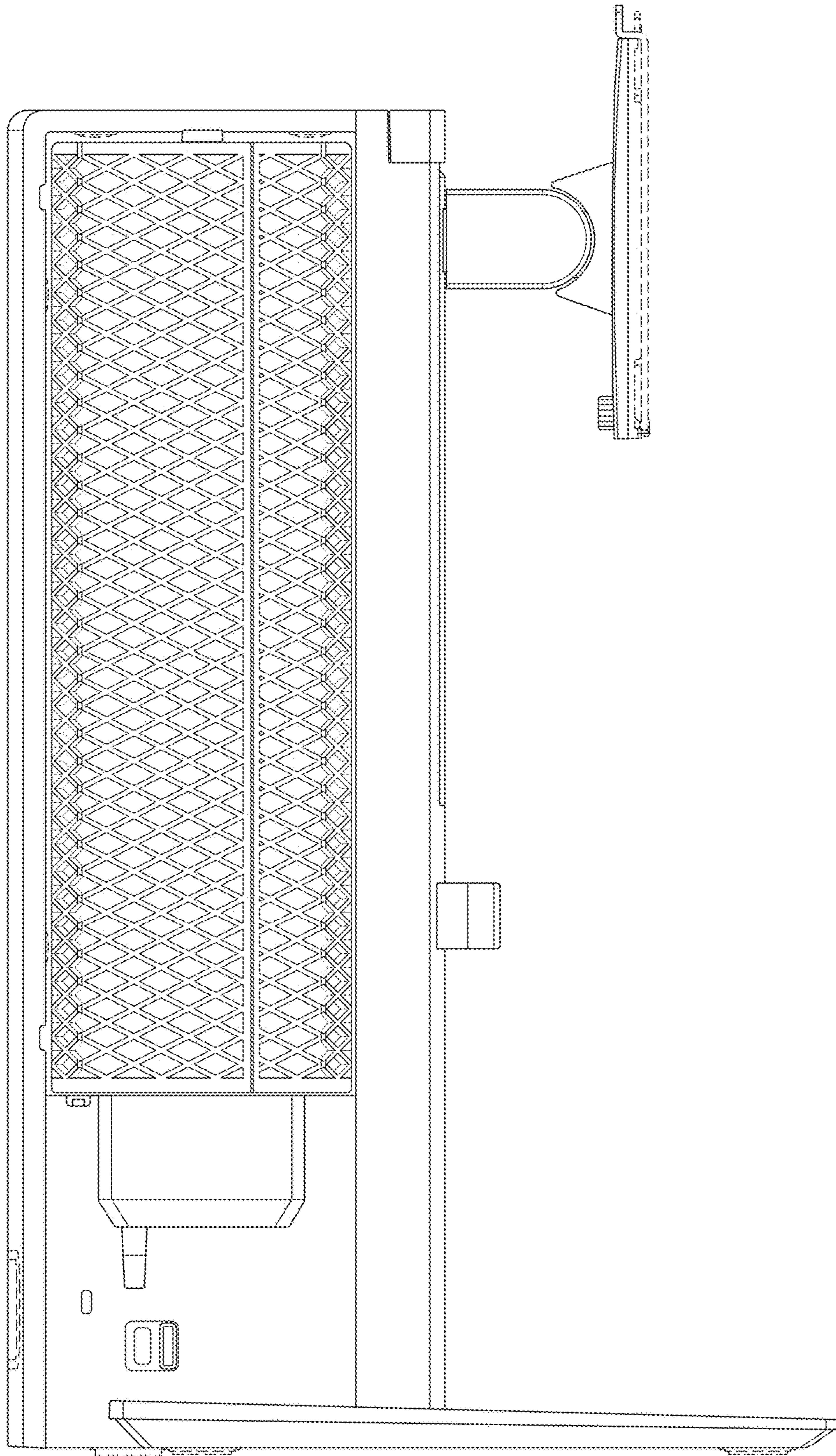


FIG. 5

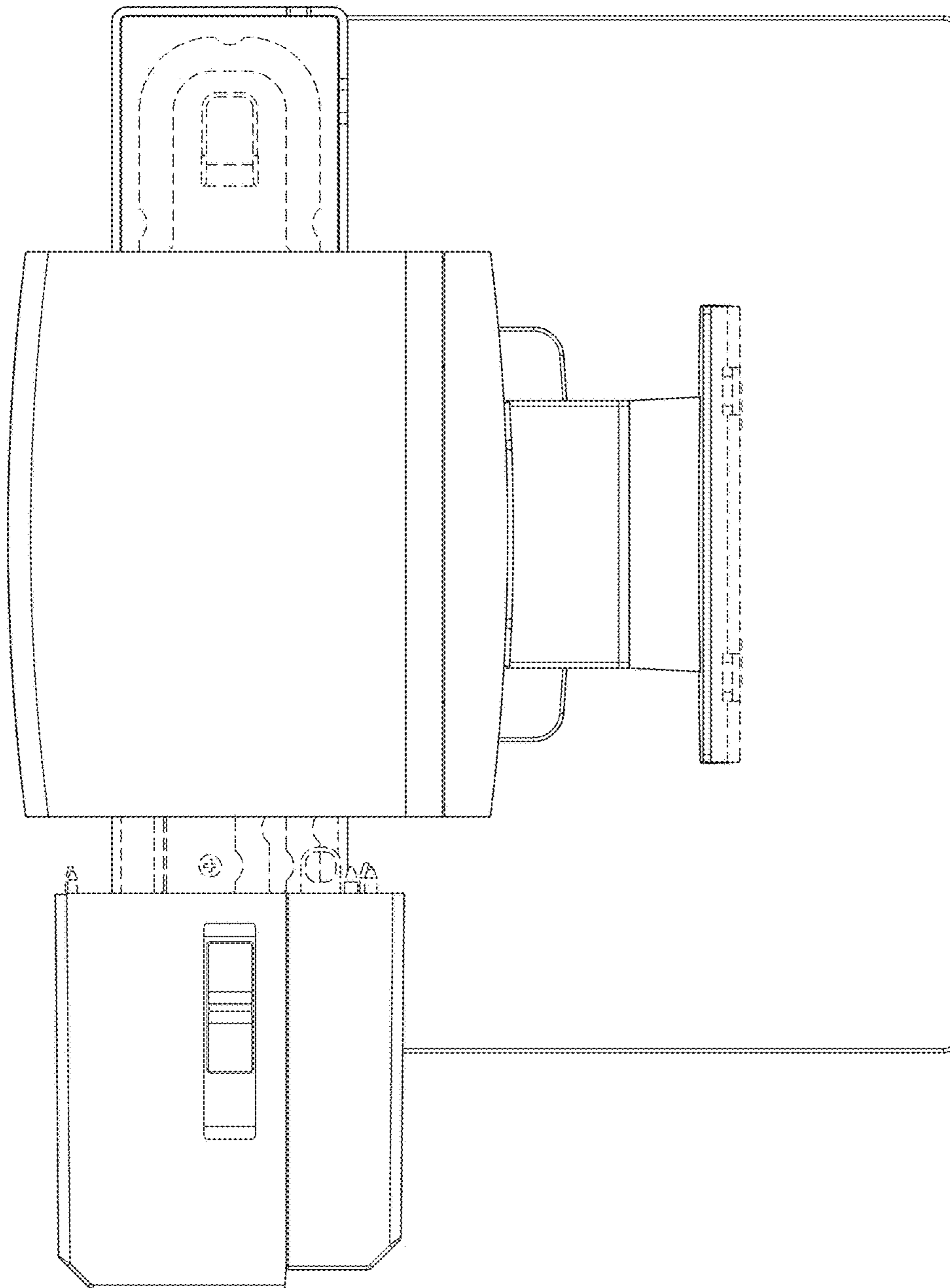


FIG. 6

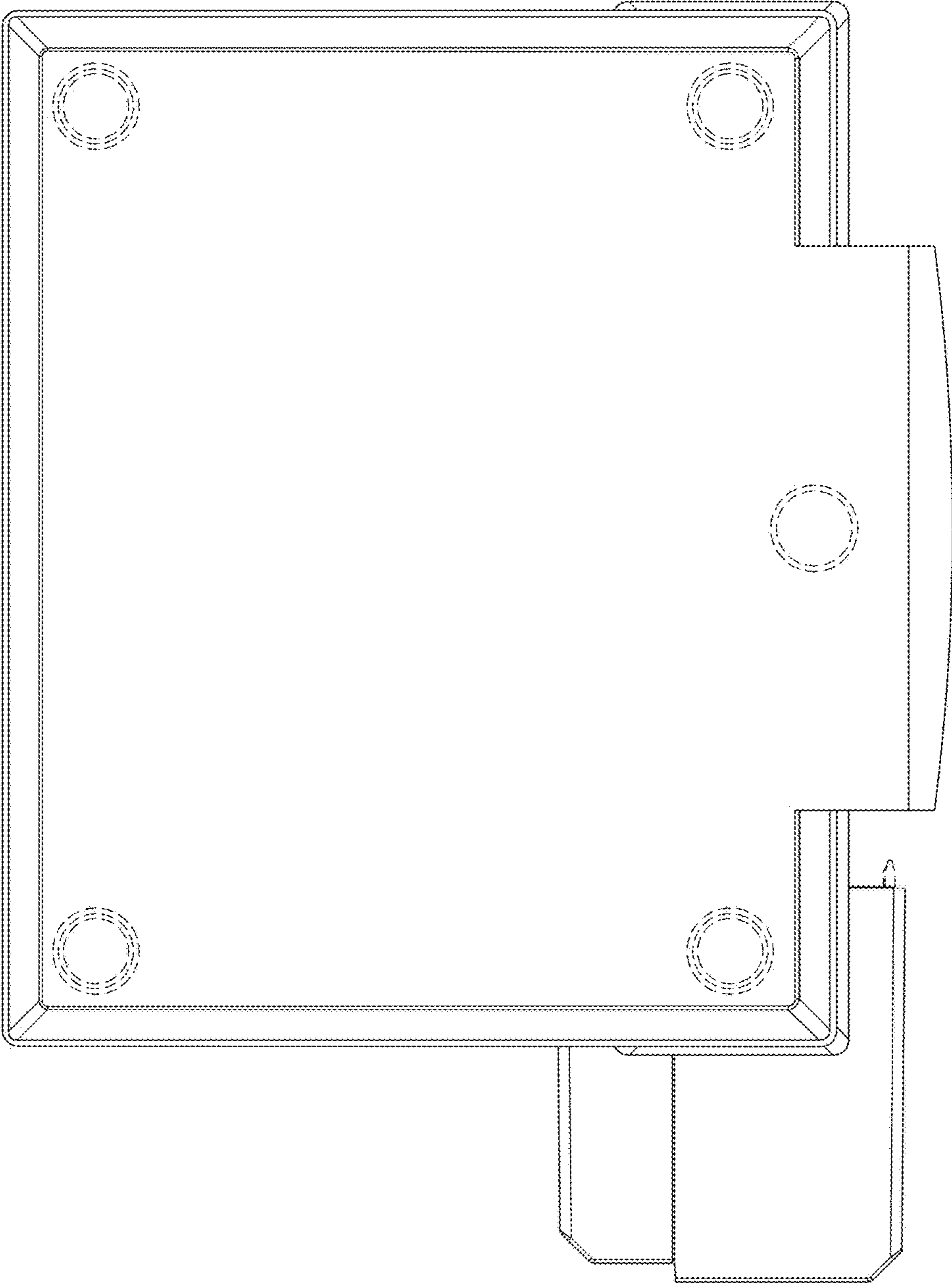


FIG. 7

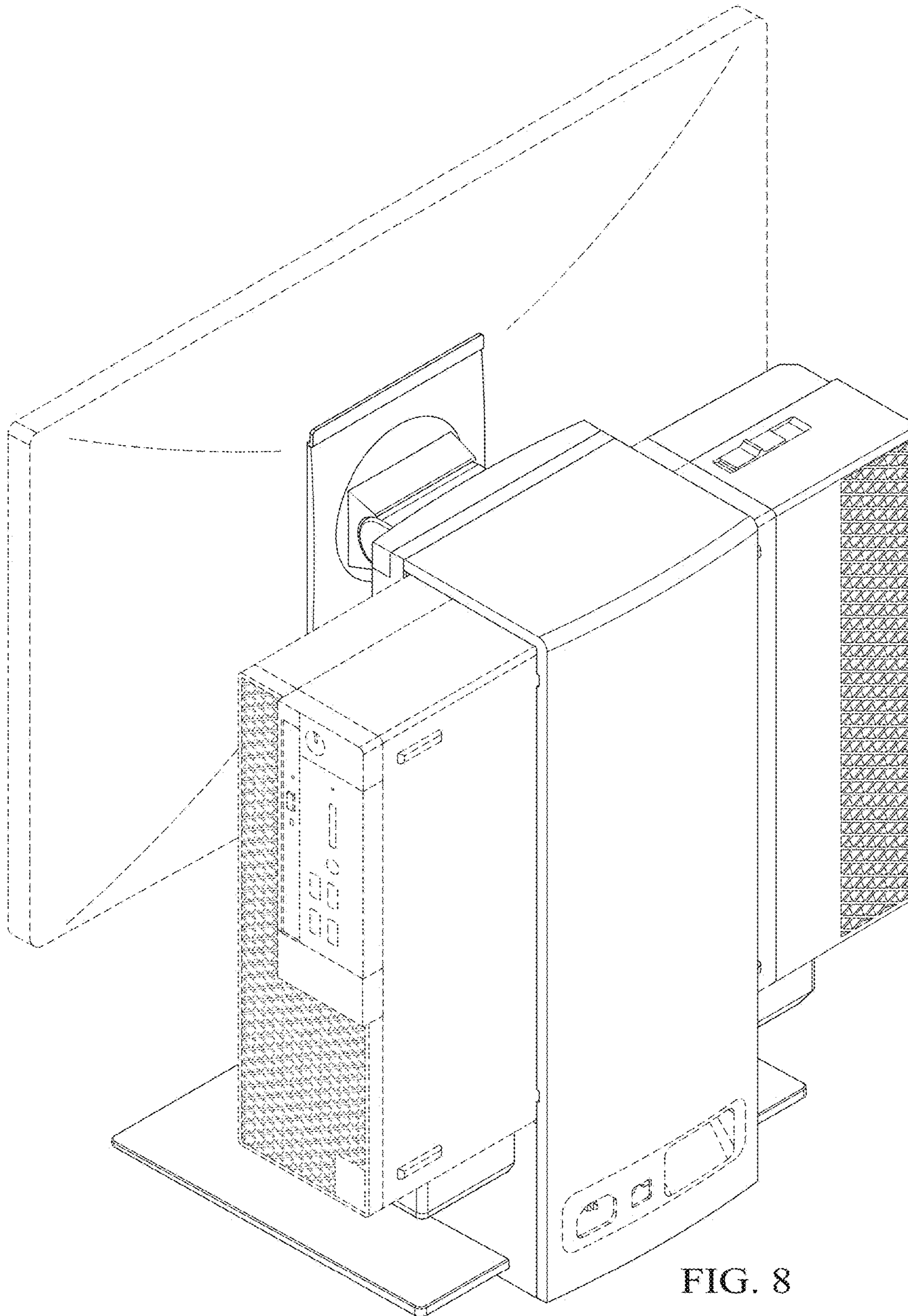


FIG. 8

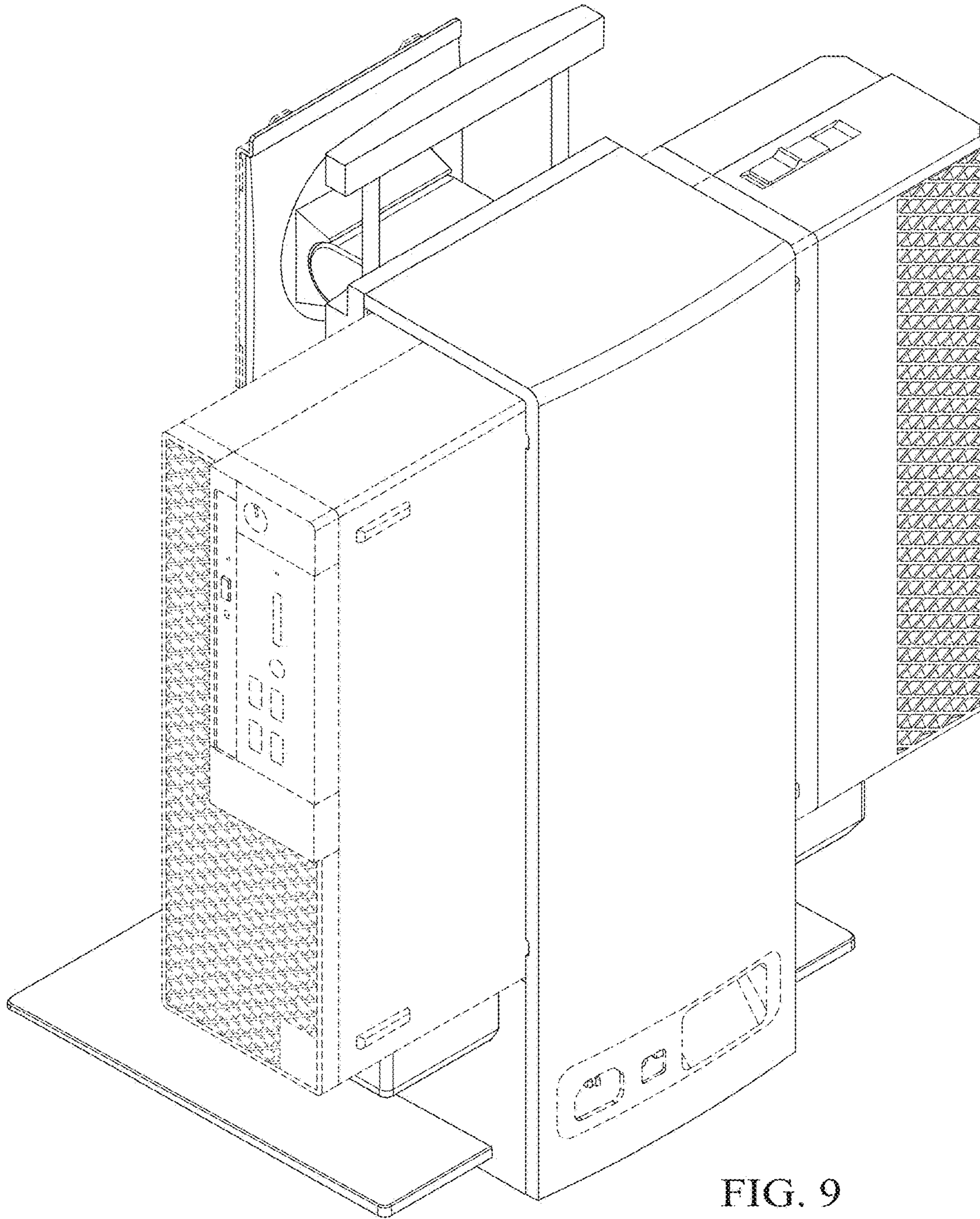


FIG. 9