



US00D855618S

(12) **United States Design Patent**  
**Burmester**

(10) **Patent No.:** **US D855,618 S**

(45) **Date of Patent:** **\*\* Aug. 6, 2019**

(54) **SUPPORT FOR COMPUTER TERMINALS  
AND COMPUTER KEYBOARDS**

(71) Applicant: **ERGONOMIC SOLUTIONS  
INTERNATIONAL LIMITED**, Surrey  
(GB)

(72) Inventor: **Benny Burmester**, Norresundby (DK)

(73) Assignee: **ERGONOMIC SOLUTIONS  
INTERNATIONAL LIMITED**, Surrey  
(GB)

(\*\*) Term: **15 Years**

(21) Appl. No.: **29/588,798**

(22) Filed: **Dec. 22, 2016**

**Related U.S. Application Data**

(63) Continuation of application No. 29/543,067, filed on  
Oct. 20, 2015.

(51) **LOC (12) Cl.** ..... **14-02**

(52) **U.S. Cl.**  
USPC ..... **D14/447**

(58) **Field of Classification Search**  
USPC ..... D14/447-452, 336, 341, 371, 373, 374,  
D14/375, 376, 377, 126, 127, 128, 129  
CPC .... F16M 11/105; F16M 11/10; F16M 11/048;  
F16M 11/12; F16M 13/022

See application file for complete search history.

(56) **References Cited**

**U.S. PATENT DOCUMENTS**

D292,963 S \* 12/1987 Murtaugh ..... D8/51  
D395,641 S \* 6/1998 Gaete ..... D14/447  
D560,669 S \* 1/2008 Muday ..... D14/451

D609,552 S \* 2/2010 Anderson ..... D8/349  
8,020,816 B2 \* 9/2011 Laitila ..... F16M 13/00  
16/342  
D719,959 S \* 12/2014 Vogel ..... D14/447  
D721,377 S \* 1/2015 Pelster ..... D14/447  
D723,573 S \* 3/2015 Padro ..... D14/447  
D725,645 S \* 3/2015 Schuler ..... D14/253  
D748,639 S \* 2/2016 Khodapanah ..... D14/447  
D768,634 S \* 10/2016 Akana ..... D14/432  
2012/0118770 A1 \* 5/2012 Valls ..... F16M 11/10  
206/320

**OTHER PUBLICATIONS**

Amazon. <URL: [https://www.amazon.com/Practical-Laptop-Notebook-Cooling-Skidproof/dp/B0747Q5X25/ref=sr\\_1\\_7?ie=UTF8&qid=1510241659&sr=8-7&keywords=computer+keyboard+stand+tilt+small](https://www.amazon.com/Practical-Laptop-Notebook-Cooling-Skidproof/dp/B0747Q5X25/ref=sr_1_7?ie=UTF8&qid=1510241659&sr=8-7&keywords=computer+keyboard+stand+tilt+small)> Jul. 25, 2017. Stand for Notebook/iPad/Laptop.\*

\* cited by examiner

*Primary Examiner* — Bridget L Eland

*Assistant Examiner* — Lauren D McVey

(74) *Attorney, Agent, or Firm* — Berg Hill Greenleaf  
Ruscitti LLP.

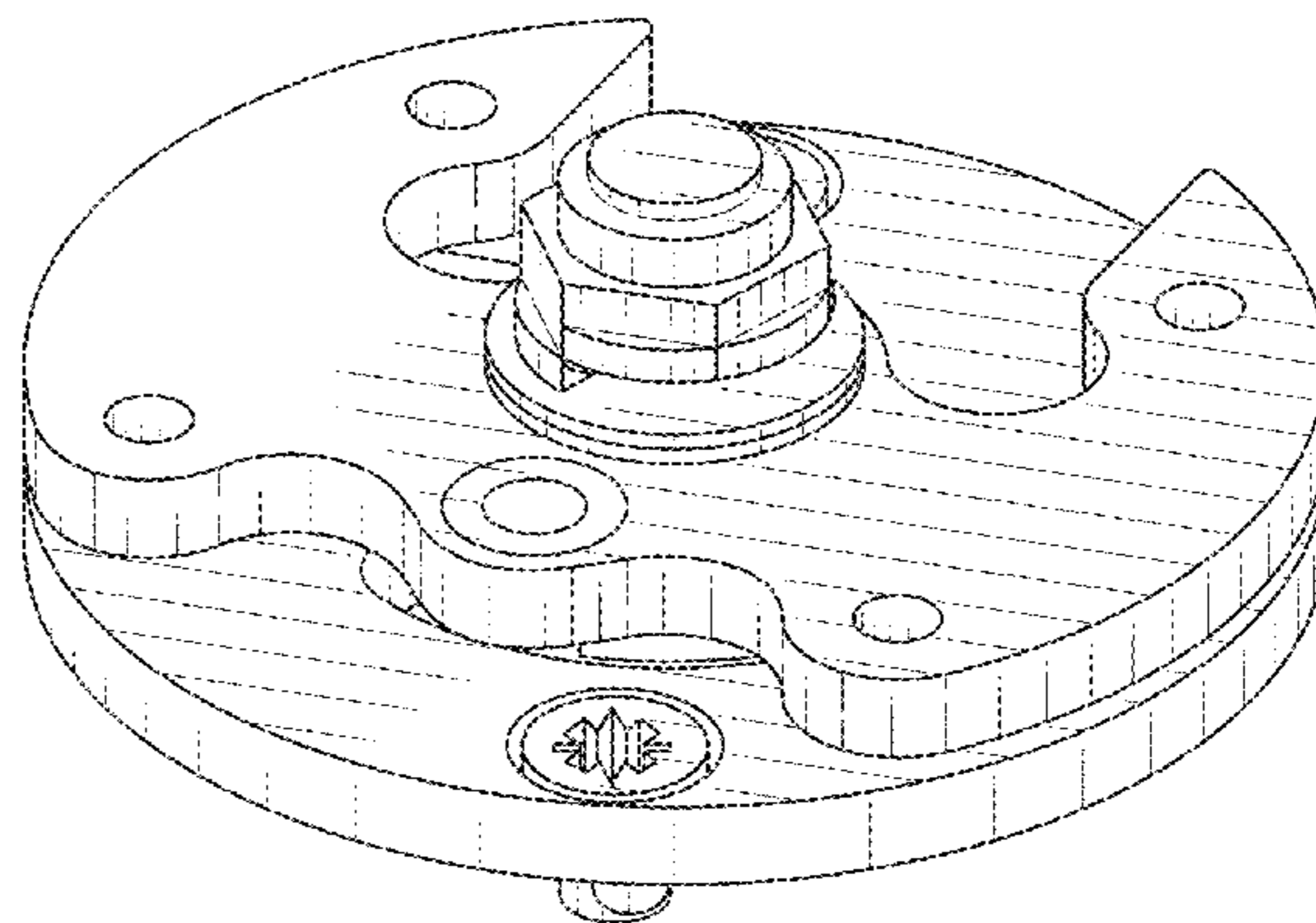
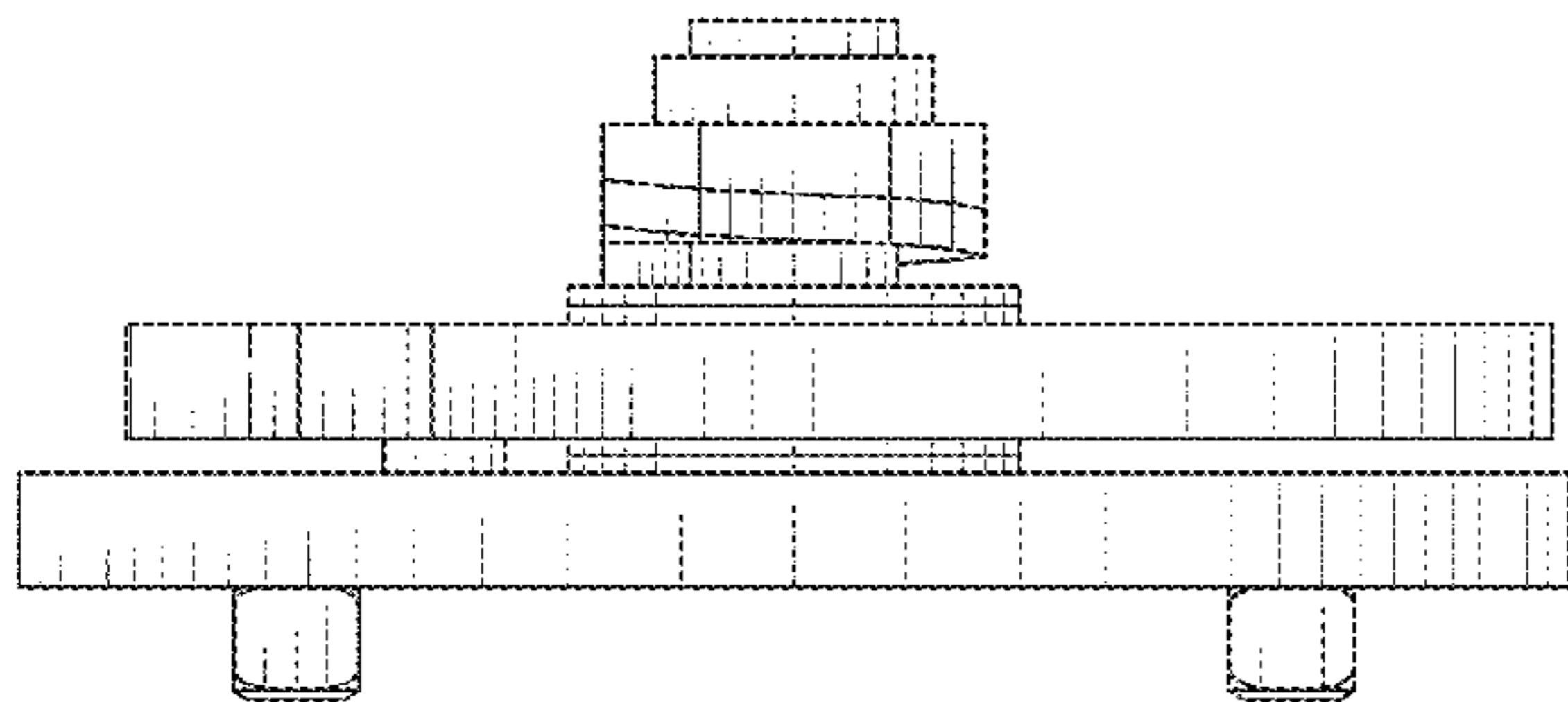
(57) **CLAIM**

I claim the ornamental design for support for computer  
terminals and computer keyboards, as shown and described.

**DESCRIPTION**

FIG. 1 is a left side view of a support for computer terminals  
and computer keyboards showing my new design;  
FIG. 2 is a right side view thereof;  
FIG. 3 is a top perspective view thereof;  
FIG. 4 is a top view thereof; and,  
FIG. 5 is a bottom view thereof.

**1 Claim, 3 Drawing Sheets**



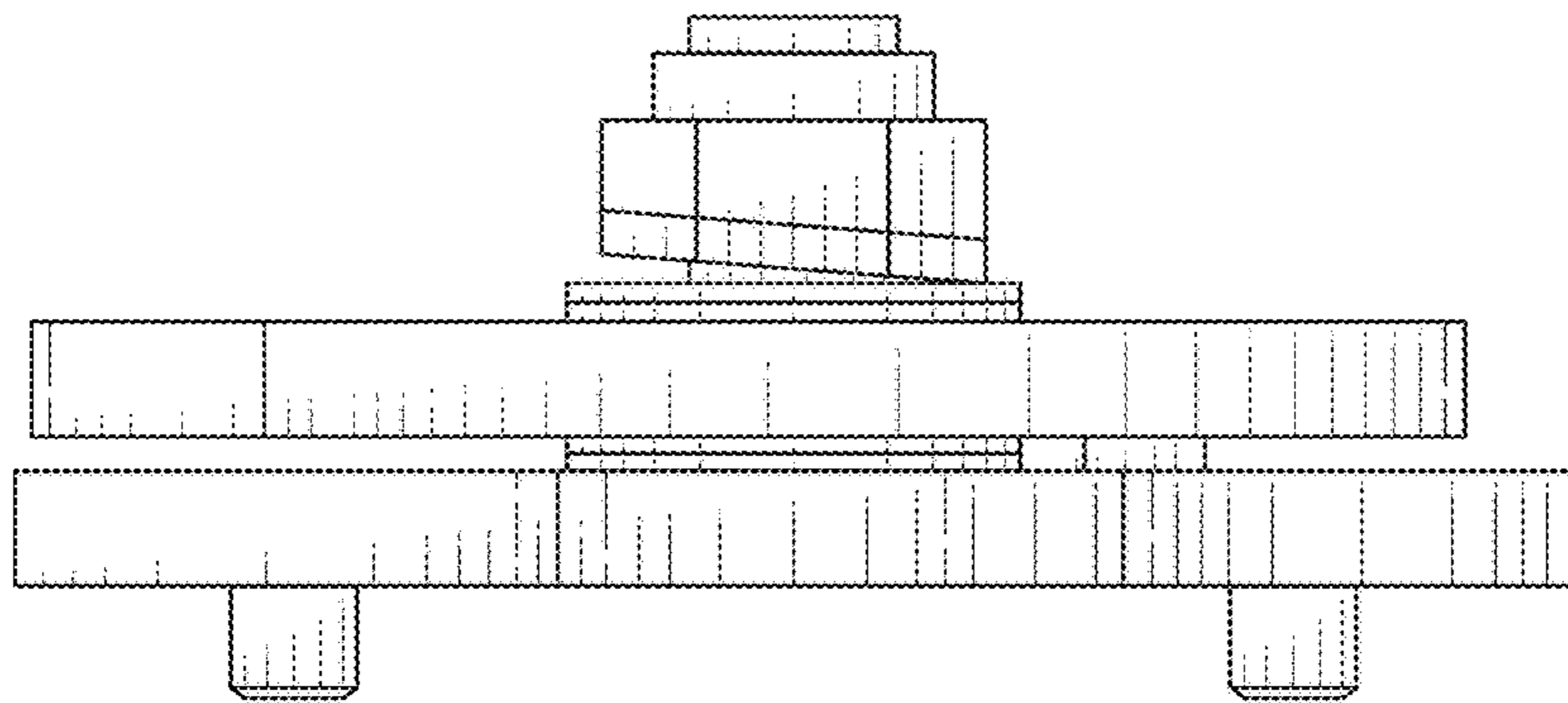


FIG. 1

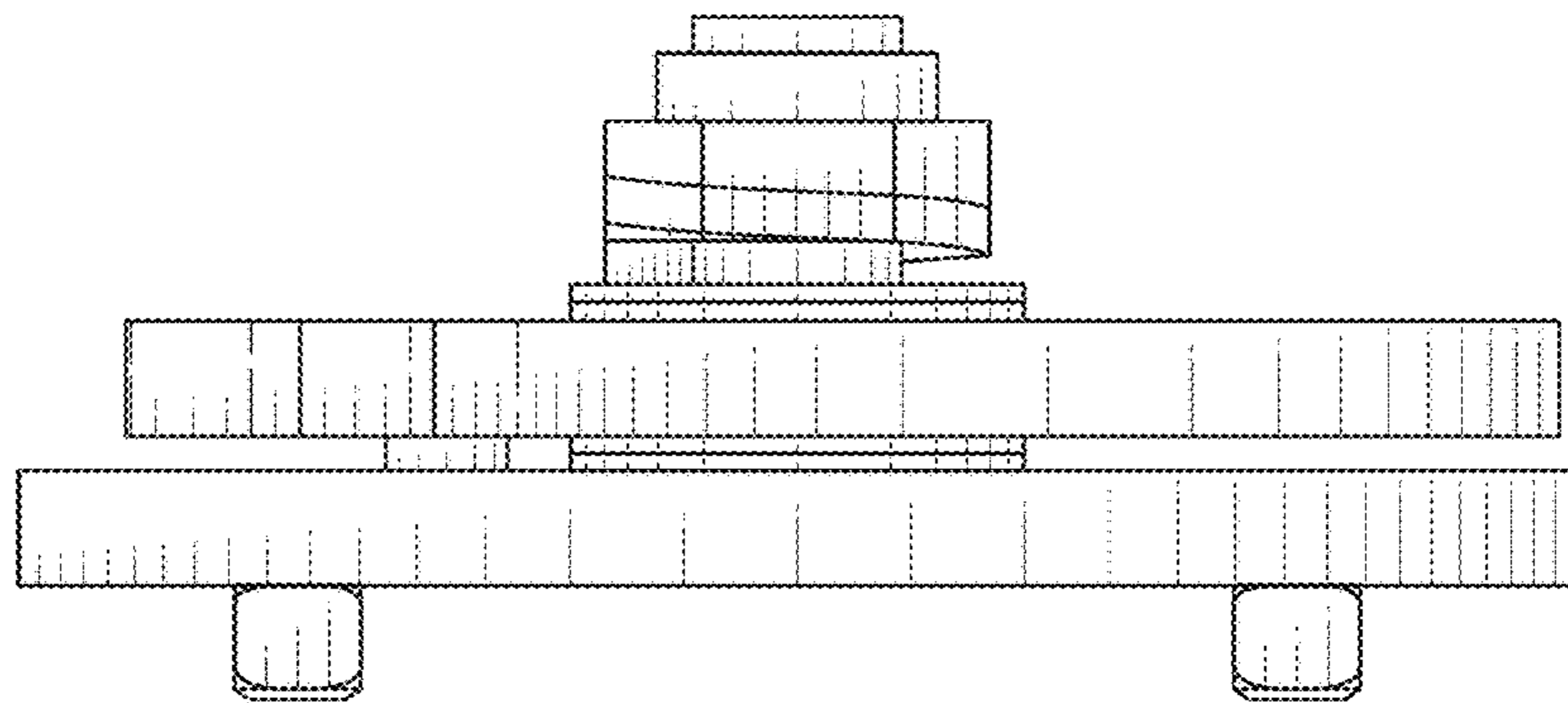


FIG. 2

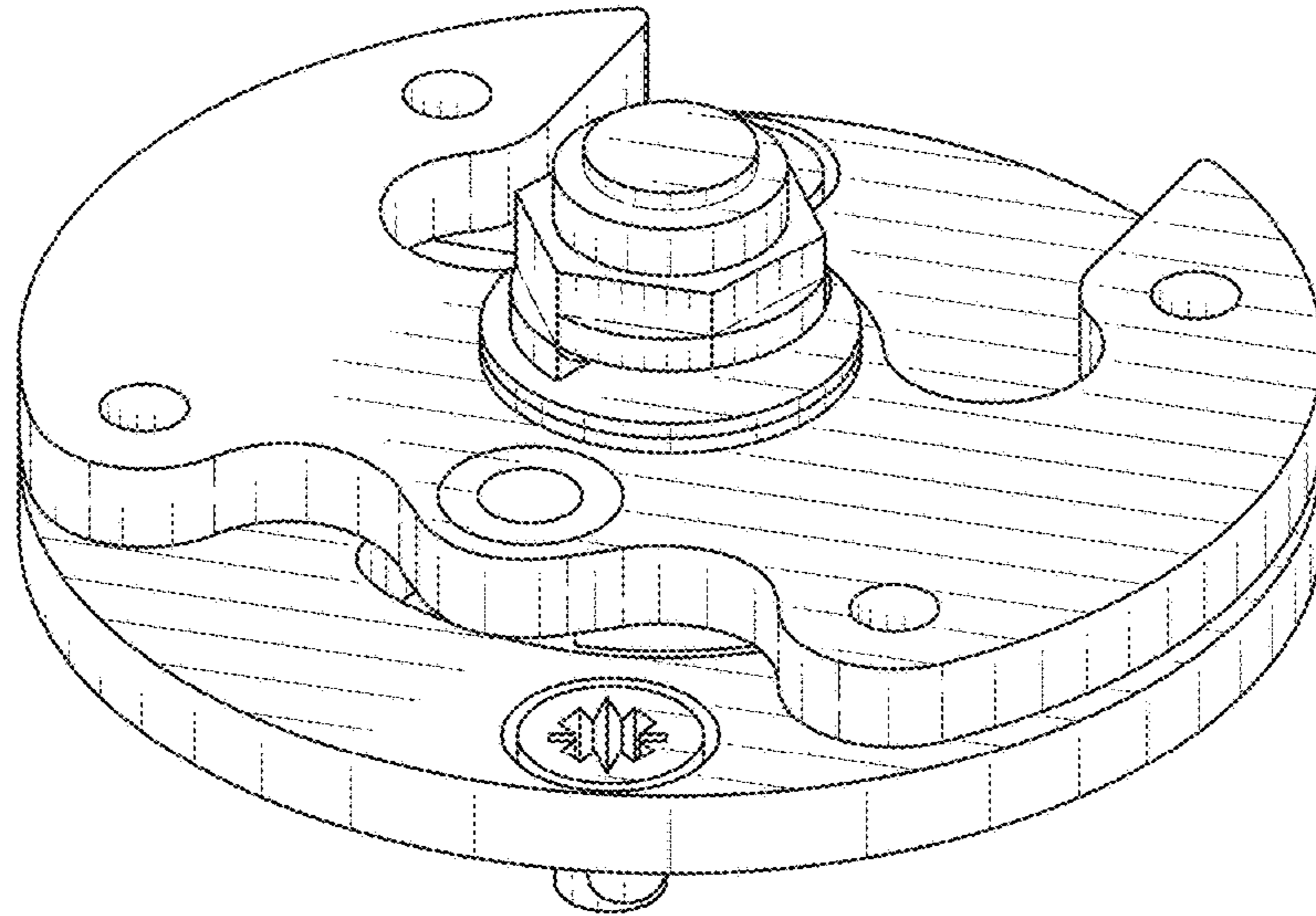


FIG. 3

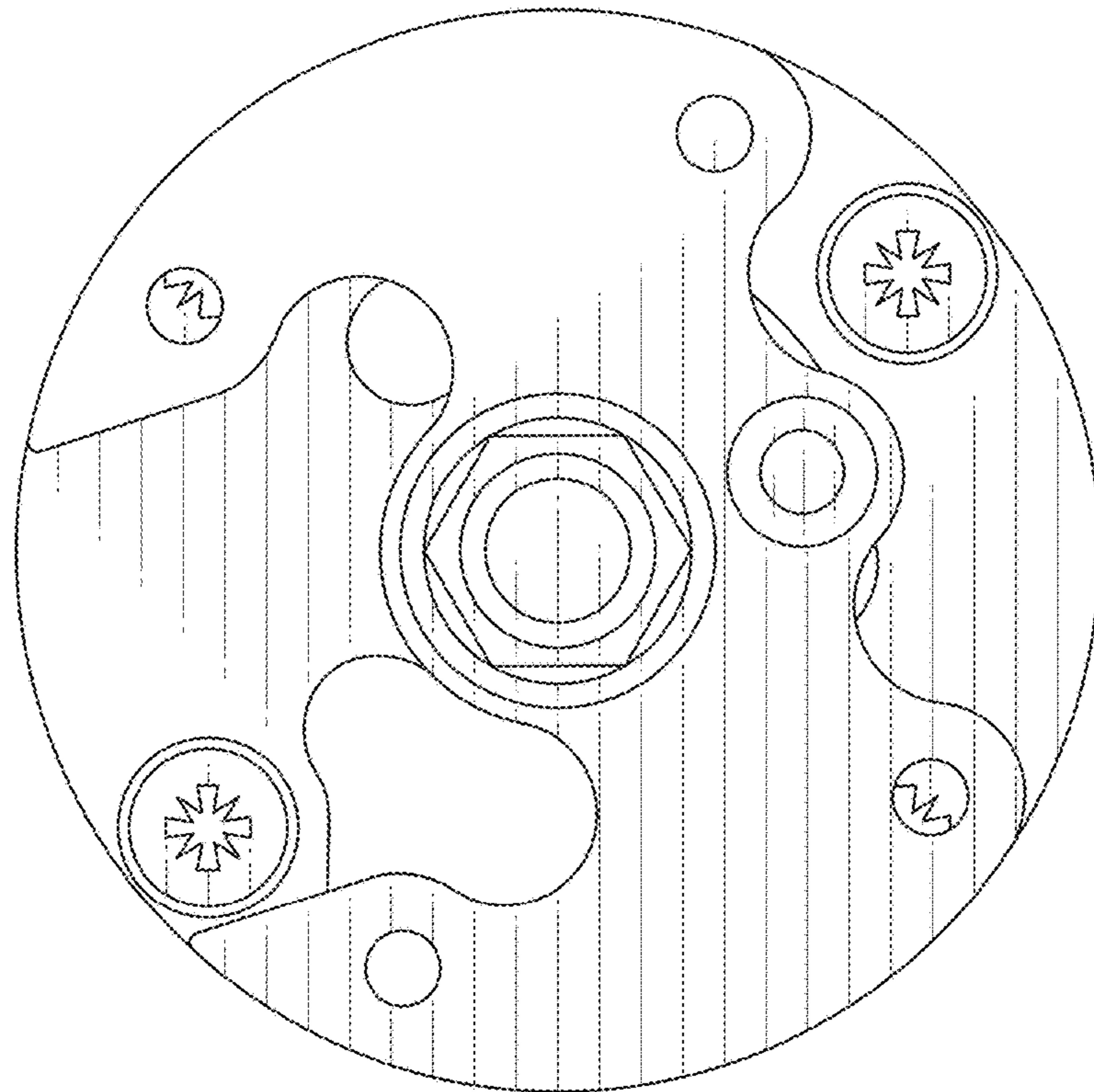


FIG. 4

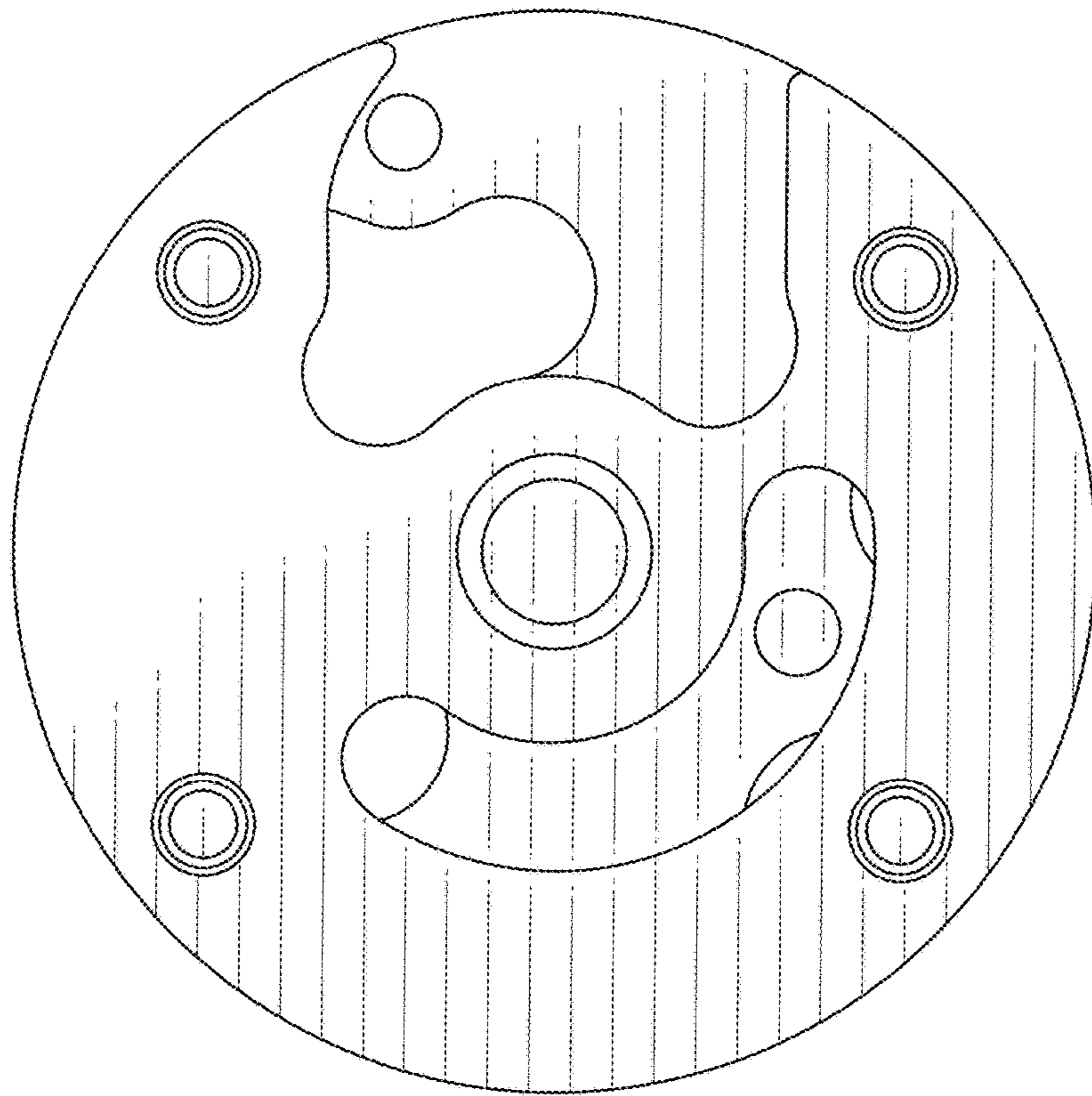


FIG. 5