



US00D855617S

(12) **United States Design Patent**
Williams

(10) **Patent No.:** **US D855,617 S**

(45) **Date of Patent:** **** Aug. 6, 2019**

(54) **SMART CARD**

(71) Applicant: **David Williams**, Las Vegas, NV (US)

(72) Inventor: **David Williams**, Las Vegas, NV (US)

(**) Term: **15 Years**

(21) Appl. No.: **29/591,197**

(22) Filed: **Jan. 17, 2017**

(51) **LOC (12) Cl.** **14-02**

(52) **U.S. Cl.**

USPC **D14/436**; D14/437

(58) **Field of Classification Search**

USPC D14/435-437, 478-480, 485-495, 474,
D14/217, 385, 383, 384; D13/182;
369/275.1-275.5, 44.26, 284, 286, 100,
369/52.1, 272, 273, 280-288; 283/81;
720/718; 435/6, 287.2; 604/891.1;
216/2; D11/80; 235/375, 380-382.5,
235/492, 488, 493, 487, 379, 439, 440,
235/441, 451, 486; 361/737, 748-752;
D19/9, 10; D9/457; 705/67, 51;
257/707, 686; 340/5.8-5.83, 5.52, 5.25,
340/5.74; 382/115, 116, 121, 124, 126,
382/313, 305; 713/185, 186

CPC .. G06K 9/00973-00986; G06K 19/063-0701;
G06K 19/0708-0712; G06K
19/0715-07771; G06K 19/083-18; G06K
21/00-06; G06K 2207/00-1018; G06K
19/07743; G06K 19/07747; G06K
19/0716; G06K 19/0718; G06K 19/072;
G06K 19/0721; G06K 19/0772; G06K
19/07722; G06K 19/07733; G06K
19/07354; G06K 19/067; G06K 19/07;
G06K 19/07739; G06K 19/06187; G06K
19/06196; G06K 9/00006; G06K
9/00071; G06F 3/08; G06F 3/12; G06F
7/40; G06F 17/5068; G06F 21/00; G06F
21/30; G06F 21/31; G06F 21/32; G06F
21/34; G06F 21/45; G06F 21/77-80;
Y10T 29/49018; Y10T 29/49124-4913;

Y10T 29/49117; H01L 23/13; H01L
23/31; H01L 23/3128; H01L 23/48; H01L
23/49541; H01L 23/498; H01L 23/49811;
H01L 23/49816; H01L 23/49833; H01L
23/49838; H01L 23/49844; H01L
23/4985; H01L 23/49855; H01L
23/49888; H01L 23/50; H01L 23/522;
H01L 23/528; H01L 23/5283; H01L
23/538; H01L 23/5386; H01L 23/5388;
H01L 23/5389; H01L 25/00; H01L
25/0655; H01L 27/0203; H01L 27/0207;
H01L 27/12; H01L 27/1218; H01L
27/1222; H01L 27/127; H01L 24/00-17;
H01L 24/94-98; H01L 2224/01; H01L
2224/0501; H01L 2224/05013-05017;
H01L

(Continued)

(56) **References Cited**

U.S. PATENT DOCUMENTS

4,202,120 A * 5/1980 Engel G06K 9/00013
283/69
4,338,025 A * 7/1982 Engel B42D 25/23
283/69

(Continued)

Primary Examiner — Susan Moon Lee

(74) *Attorney, Agent, or Firm* — Furr Law Firm; Jeffrey
Furr, Esq.

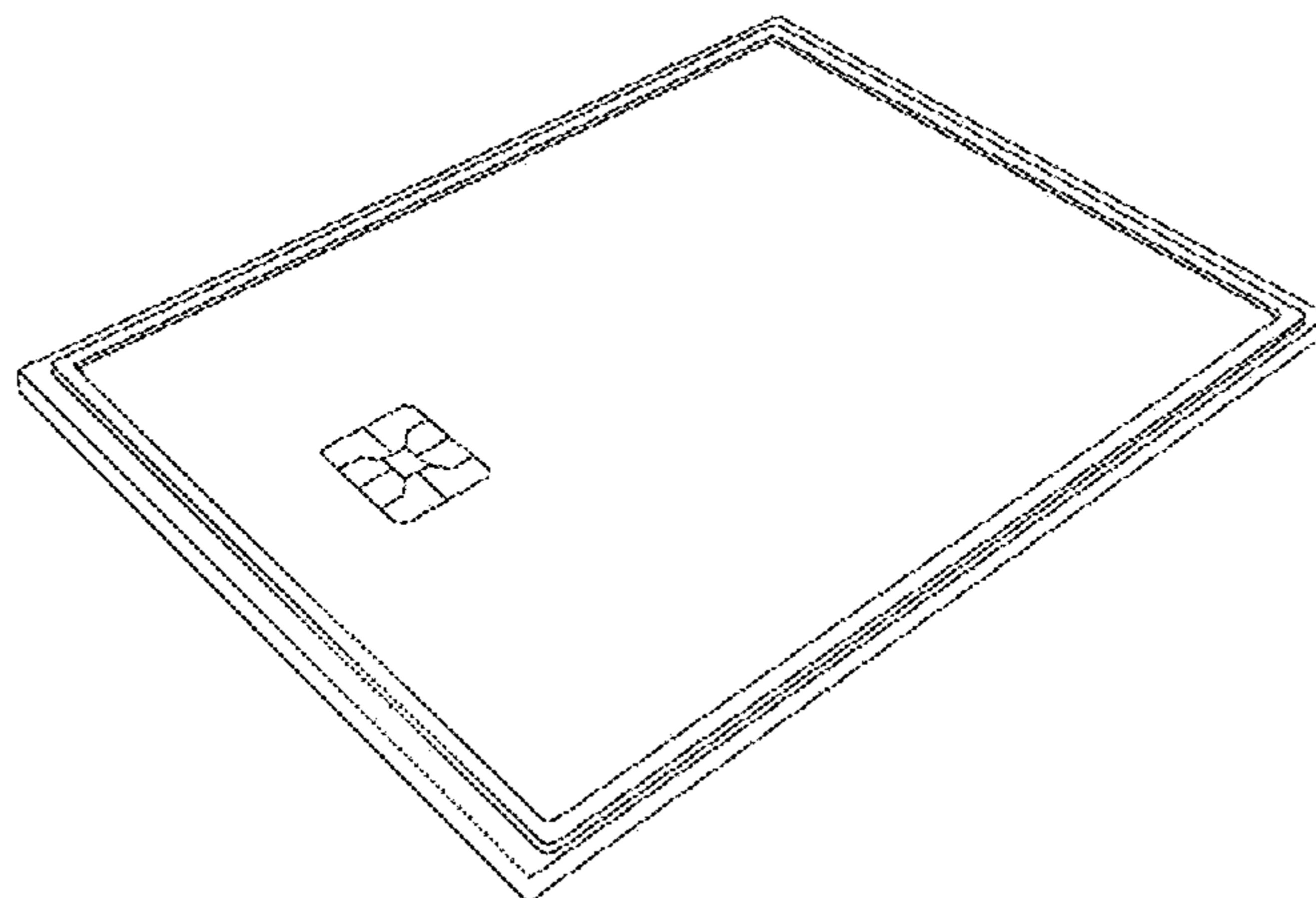
(57) **CLAIM**

The ornamental design for a smart card, as shown.

DESCRIPTION

FIG. 1 is a front perspective view of a smart card showing
my new design;
FIG. 2 is a back view thereof; and,
FIG. 3 is a back perspective view showing the smart card in
an expanded condition.

1 Claim, 3 Drawing Sheets



(58) **Field of Classification Search**

CPC .. 2224/0555-05557; H01L 2224/0612-06189;
 H01L 2224/07-09181; G06Q 20/34;
 G06Q 20/341; G06Q 20/346; G06Q
 20/354; G06Q 20/355; G06Q 20/3558;
 G06Q 20/3563; G06Q 20/3567; G06Q
 20/357; G06Q 20/3674; G06Q 20/40145;
 G07F 7/0806; G07F 7/0813; G07F 7/082;
 G07F 7/0826; G07F 7/0833; G07F 7/084;
 G07F 7/0846; G07F 7/0853; G07F 7/086;
 G07F 7/0866; G07C 9/00071; G07C
 9/00087; G07C 9/00111; G07C 9/00119;
 G07C 2009/00095

See application file for complete search history.

(56) **References Cited**

U.S. PATENT DOCUMENTS

D277,858 S * 3/1985 Takahashi D14/480
 4,582,985 A * 4/1986 Lofberg G07F 7/1008
 235/380
 D287,253 S * 12/1986 Satake D14/436
 D331,922 S * 12/1992 Gloton D14/437
 D335,663 S * 5/1993 Gloton D14/437
 5,280,527 A * 1/1994 Gullman G06K 19/0718
 713/184
 5,334,836 A * 8/1994 Filo B41M 5/26
 235/454
 5,347,580 A * 9/1994 Molva G06F 21/305
 235/379
 5,410,136 A * 4/1995 McIntire G06K 1/125
 235/380
 D358,142 S * 5/1995 Gloton D14/437
 D365,092 S * 12/1995 Mundigl D14/437
 5,623,552 A * 4/1997 Lane G06K 13/073
 235/492
 5,971,282 A * 10/1999 Rollender G06K 19/0723
 235/487
 D416,246 S * 11/1999 Hileman D14/437
 6,028,774 A * 2/2000 Shin G06K 19/07745
 257/679
 D427,577 S * 7/2000 Haas D14/437
 6,182,892 B1 * 2/2001 Angelo G06K 9/00046
 235/380
 6,588,660 B1 * 7/2003 Buescher G06K 19/0716
 235/380
 6,631,201 B1 * 10/2003 Dickinson G06F 21/32
 382/124
 6,811,082 B2 * 11/2004 Wong G06K 7/10336
 235/451
 D501,208 S * 1/2005 Ozolins D14/383
 D508,245 S * 8/2005 Ozolins D14/383
 6,959,874 B2 * 11/2005 Bardwell G06F 21/32
 235/380
 D526,651 S * 8/2006 Hoogerdijk D14/436
 D535,992 S * 1/2007 Ozolins D14/383
 7,158,025 B2 * 1/2007 Matoba G08B 7/062
 340/517
 D574,850 S * 8/2008 Zimman D14/496
 D590,400 S * 4/2009 Hoogerdijk D14/436
 7,757,942 B1 * 7/2010 Ford, Sr. G06K 9/00006
 235/380
 7,837,122 B2 * 11/2010 Martinent G06K 19/07739
 235/492
 7,994,898 B2 * 8/2011 Ozolins G06F 21/32
 340/5.8
 D649,548 S * 11/2011 Szoke D14/358
 D672,807 S * 12/2012 Ahrabian D19/9
 D687,886 S * 8/2013 Ahrabian D19/9
 D693,816 S * 11/2013 Koh D14/436
 D693,874 S * 11/2013 Daniel D19/10
 D701,900 S * 4/2014 Daniel D19/10
 D718,307 S * 11/2014 Ozolins D14/383

D720,354 S * 12/2014 Komatsu D14/437
 D733,713 S * 7/2015 Shim D14/435
 9,466,060 B1 * 10/2016 Daniel G06Q 20/409
 D774,135 S * 12/2016 Daniel D19/10
 D788,847 S * 6/2017 Hendrick D19/9
 D797,188 S * 9/2017 Hendrick D19/9
 9,836,103 B2 * 12/2017 Kramer G06F 1/26
 2002/0021001 A1 * 2/2002 Stratford G06K 7/14
 283/74
 2003/0209362 A1 * 11/2003 Kasuga G06K 19/0718
 174/260
 2004/0133787 A1 * 7/2004 Doughty G06Q 20/327
 713/186
 2005/0029343 A1 * 2/2005 Neymann G06K 19/07354
 235/380
 2005/0076182 A1 * 4/2005 Minne G06F 21/32
 711/163
 2005/0077348 A1 * 4/2005 Hendrick G06K 7/00
 235/380
 2005/0144354 A1 * 6/2005 Murashita G06F 21/32
 711/100
 2005/0199708 A1 * 9/2005 Friedman G06Q 20/385
 235/380
 2006/0107067 A1 * 5/2006 Safal G06K 9/00885
 713/186
 2006/0161789 A1 * 7/2006 Doughty G06Q 20/327
 713/186
 2006/0213973 A1 * 9/2006 Chan G06K 7/084
 235/380
 2007/0040017 A1 * 2/2007 Kozlay G06K 19/07354
 235/380
 2007/0073619 A1 * 3/2007 Smith G06Q 20/105
 705/41
 2007/0220273 A1 * 9/2007 Campisi G06K 9/00006
 713/186
 2008/0005425 A1 * 1/2008 Saito G06K 19/0702
 710/62
 2008/0067247 A1 * 3/2008 McGregor G06K 19/07
 235/439
 2008/0120509 A1 * 5/2008 Simon G06K 19/0718
 713/186
 2008/0223925 A1 * 9/2008 Saito G06Q 20/341
 235/380
 2009/0153297 A1 * 6/2009 Gardner G06K 9/00026
 340/5.83
 2011/0140841 A1 * 6/2011 Bona G06K 19/06187
 340/5.83
 2012/0049309 A1 * 3/2012 Kiyomoto G06K 19/0718
 257/434
 2012/0218079 A1 * 8/2012 Kim G06F 21/32
 340/5.83
 2012/0298757 A1 * 11/2012 Kim G06K 19/0718
 235/487
 2013/0207786 A1 * 8/2013 Hutzler G06K 9/00892
 340/10.51
 2014/0052632 A1 * 2/2014 Galloway G06Q 20/3223
 705/43
 2014/0232525 A1 * 8/2014 Mohmedi A61B 5/02427
 340/5.83
 2014/0291408 A1 * 10/2014 Dean G06K 19/07
 235/492
 2015/0186663 A1 * 7/2015 Schmidt G06F 21/62
 345/173
 2015/0287255 A1 * 10/2015 Hendrick G07C 9/00087
 340/5.53
 2016/0098705 A1 * 4/2016 Kurapati G06Q 20/3574
 705/41
 2016/0148194 A1 * 5/2016 Guillaud G06Q 20/352
 705/44
 2016/0203346 A1 * 7/2016 Gardiner G06K 7/10158
 235/380
 2016/0300131 A1 * 10/2016 Nyalamadugu G06K 19/0772
 2017/0017873 A1 * 1/2017 Baba G06K 19/07773
 2017/0289127 A1 * 10/2017 Hendrick H04L 63/083
 2017/0300799 A1 * 10/2017 Breed G06Q 20/352
 2018/0012114 A1 * 1/2018 Wurmfeld G06K 19/07372

(56)

References Cited

U.S. PATENT DOCUMENTS

2018/0025261 A1* 1/2018 Mosteller G06K 19/07745
235/488
2018/0039874 A1* 2/2018 Fischer G06K 19/07309
2018/0108018 A1* 4/2018 Lee G06K 9/00013
2018/0144115 A1* 5/2018 Wennemer G06K 19/06206
2018/0293480 A1* 10/2018 Osamura G06K 19/02
2018/0330221 A1* 11/2018 Fischer B32B 5/22
2018/0375661 A1* 12/2018 Lavin H04L 63/0861
2019/0019005 A1* 1/2019 Pompeani G06K 19/07701
2019/0050623 A1* 2/2019 Lavin G06K 9/0002
2019/0073578 A1* 3/2019 Lowe G06K 19/07722

* cited by examiner

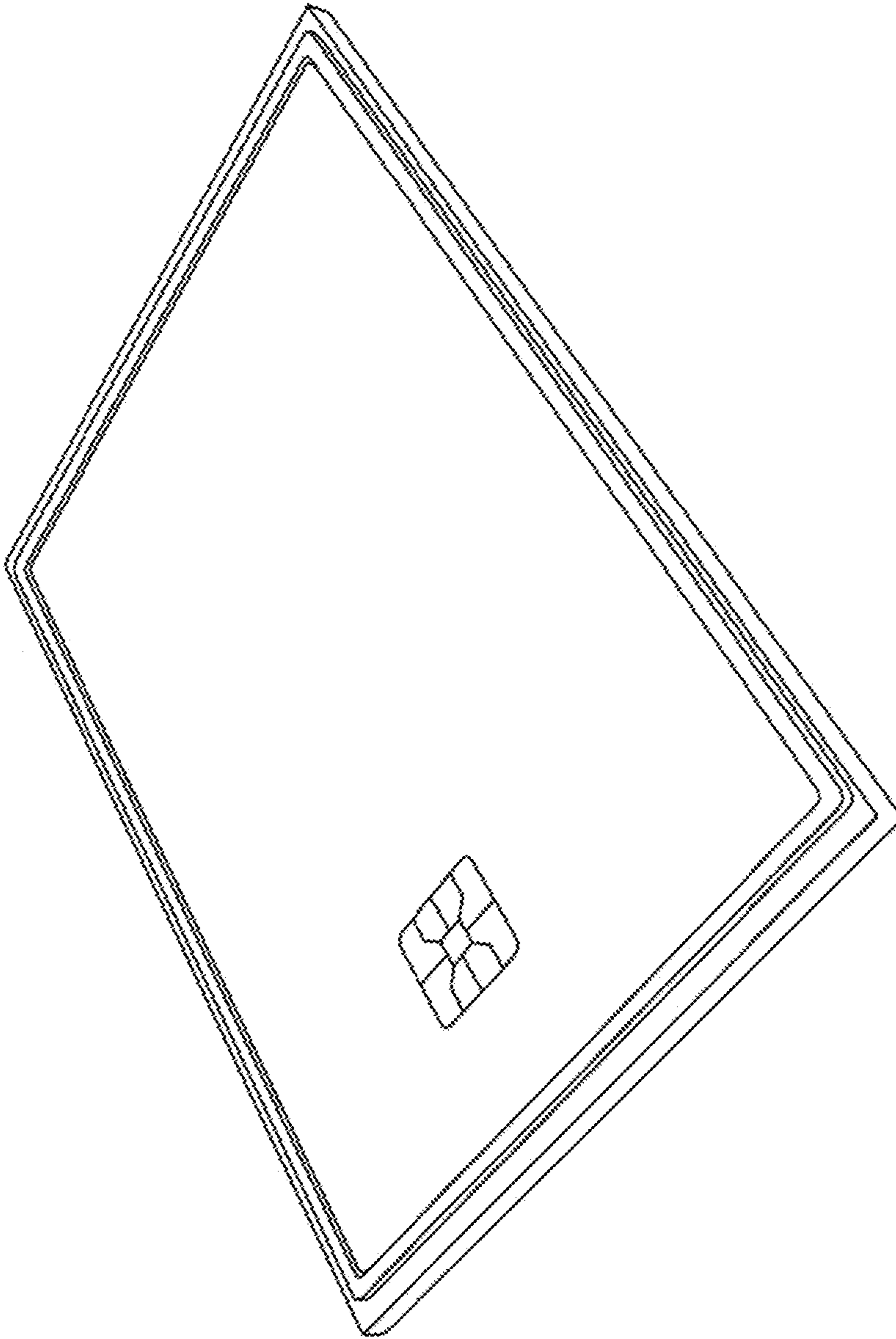


Fig. 1

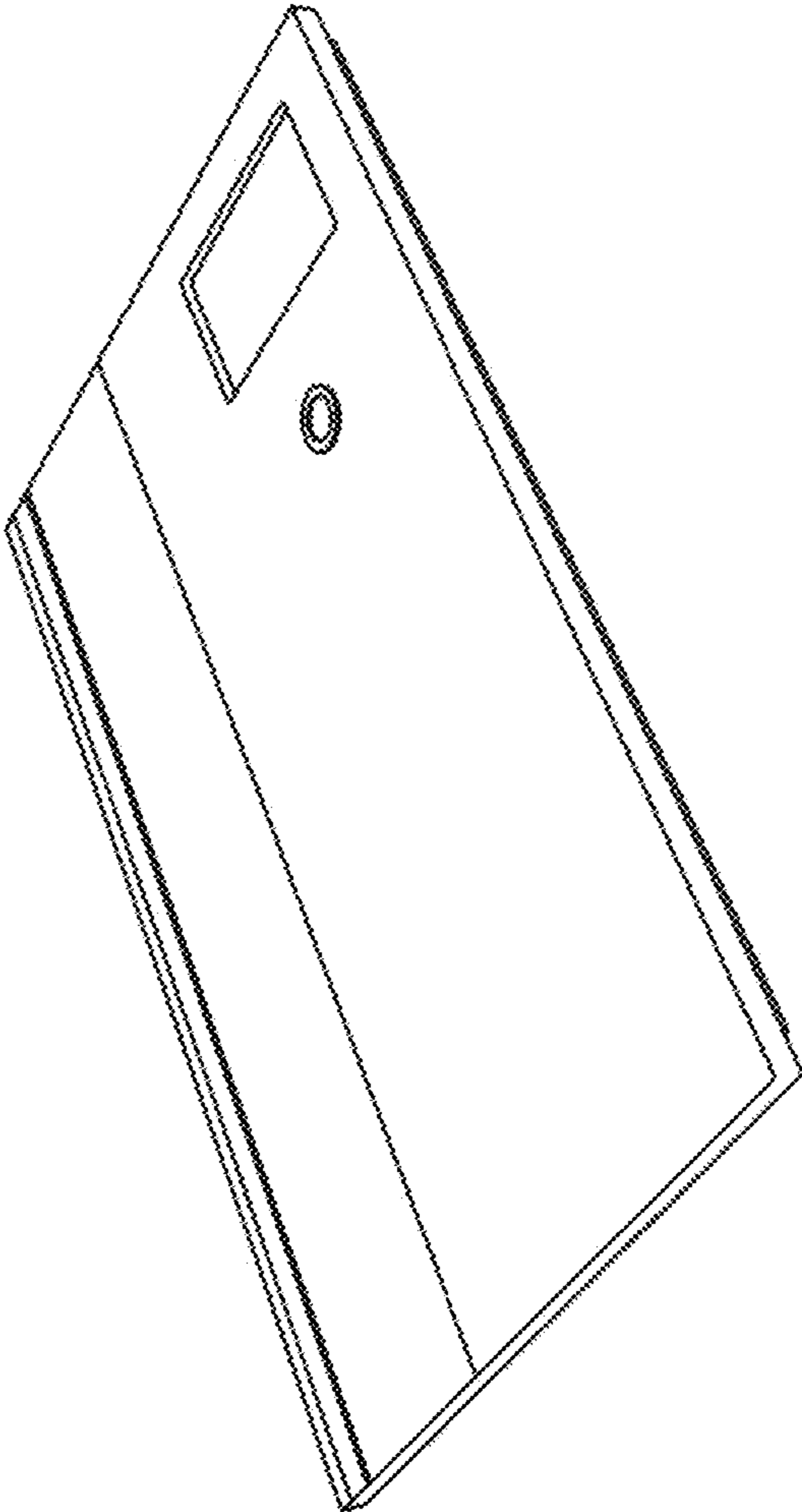


Fig. 2

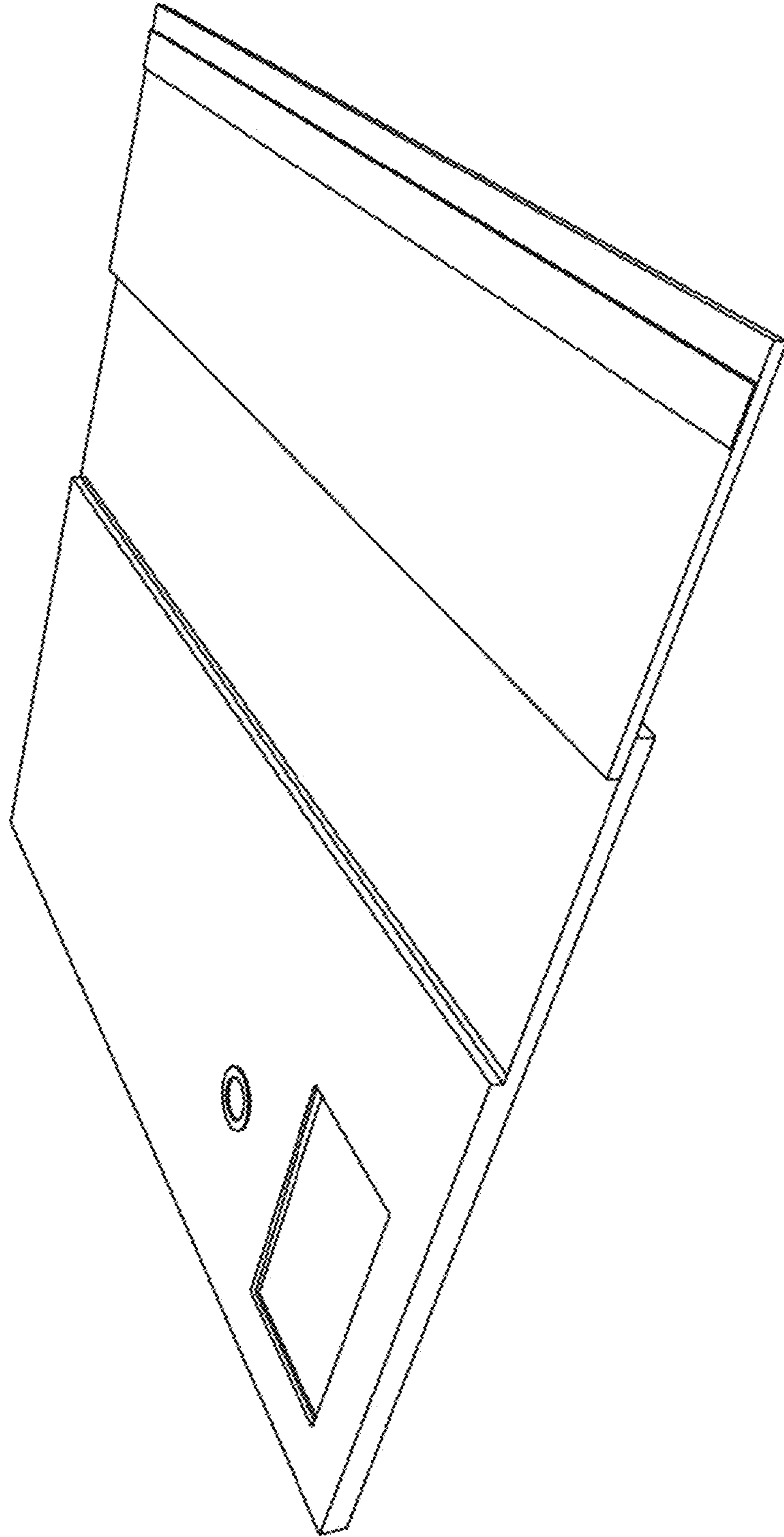


Fig. 3