



US00D855616S

(12) **United States Design Patent** (10) **Patent No.:** **US D855,616 S**
Chin (45) **Date of Patent:** **** *Aug. 6, 2019**

(54) **THUNDERBOLT 3.0 USB-C CONNECTOR**
(71) Applicant: **Kien Hoe Daniel Chin**, Fremont, CA (US)
(72) Inventor: **Kien Hoe Daniel Chin**, Fremont, CA (US)
(*) Notice: This patent is subject to a terminal disclaimer.
(**) Term: **15 Years**
(21) Appl. No.: **29/585,509**
(22) Filed: **Nov. 24, 2016**
(51) **LOC (12) Cl.** **14-02**
(52) **U.S. Cl.**
USPC **D14/433**
(58) **Field of Classification Search**
USPC D14/432, 433, 358
CPC H01M 10/44
See application file for complete search history.

(56) **References Cited**
U.S. PATENT DOCUMENTS
D560,165 S * 1/2008 Matityahu D13/133
D591,270 S * 4/2009 Jakobson D14/217
D664,146 S * 7/2012 Hoehn D14/433
D693,768 S * 11/2013 Alesi D13/110
D705,189 S * 5/2014 Chovin D14/159
D711,884 S * 8/2014 Turksu D14/433
D740,291 S * 10/2015 Turksu D14/433
D751,527 S * 3/2016 Hinokio D14/204

D776,659 S * 1/2017 Hou D14/433
D793,397 S * 8/2017 Eliyahu D14/433
D794,028 S * 8/2017 Lin D14/433
D797,747 S * 9/2017 Xu D14/433
D800,730 S * 10/2017 Liao D14/433
D813,875 S * 3/2018 Liao D14/434
D815,639 S * 4/2018 Lau D14/433
D820,264 S * 6/2018 Lai D14/433
D828,354 S * 9/2018 Chuang D14/433
D828,840 S * 9/2018 Zhang D14/433
D828,841 S * 9/2018 Zhang D14/433
D830,366 S * 10/2018 Turksu D14/433
D832,260 S * 10/2018 Hutton D14/433

* cited by examiner
Primary Examiner — Cynthia R Underwood
(74) *Attorney, Agent, or Firm* — Alexander Chen, Esq.;
Agnew International Patent & Trademark Law Firm

(57) **CLAIM**
The ornamental design for thunderbolt 3.0 USB-C connector, as shown and described.

DESCRIPTION
FIG. 1 is a perspective view of a thunderbolt 3.0 USB-C connector;
FIG. 2 is a front view thereof;
FIG. 3 is a side view thereof;
FIG. 4 is a back side view thereof;
FIG. 5 is a side view thereof;
FIG. 6 is a side view thereof; and,
FIG. 7 is a side view thereof.
The broken lines are included to show environmental structure and form no part of the claimed design.

1 Claim, 3 Drawing Sheets

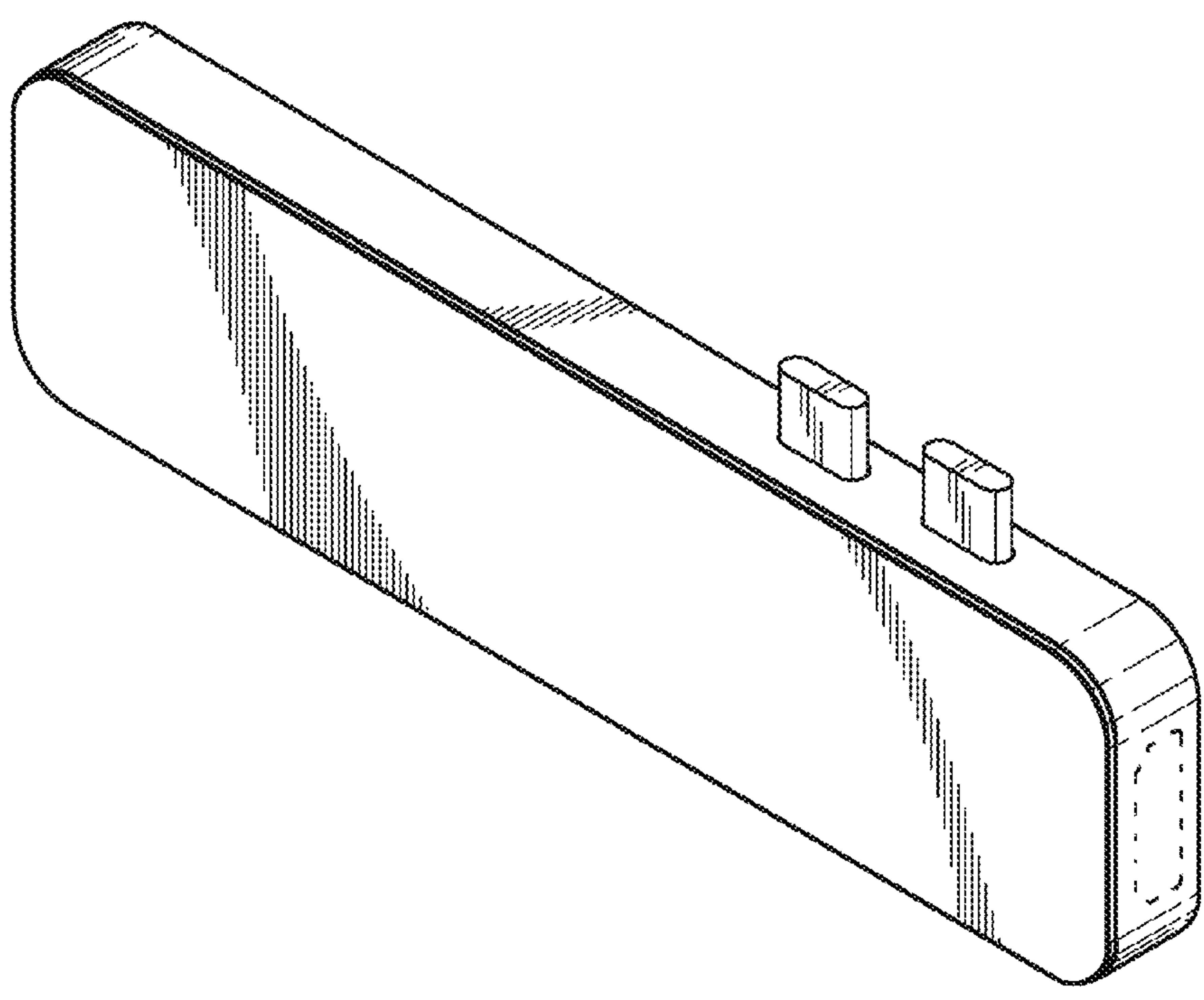


FIG. 1

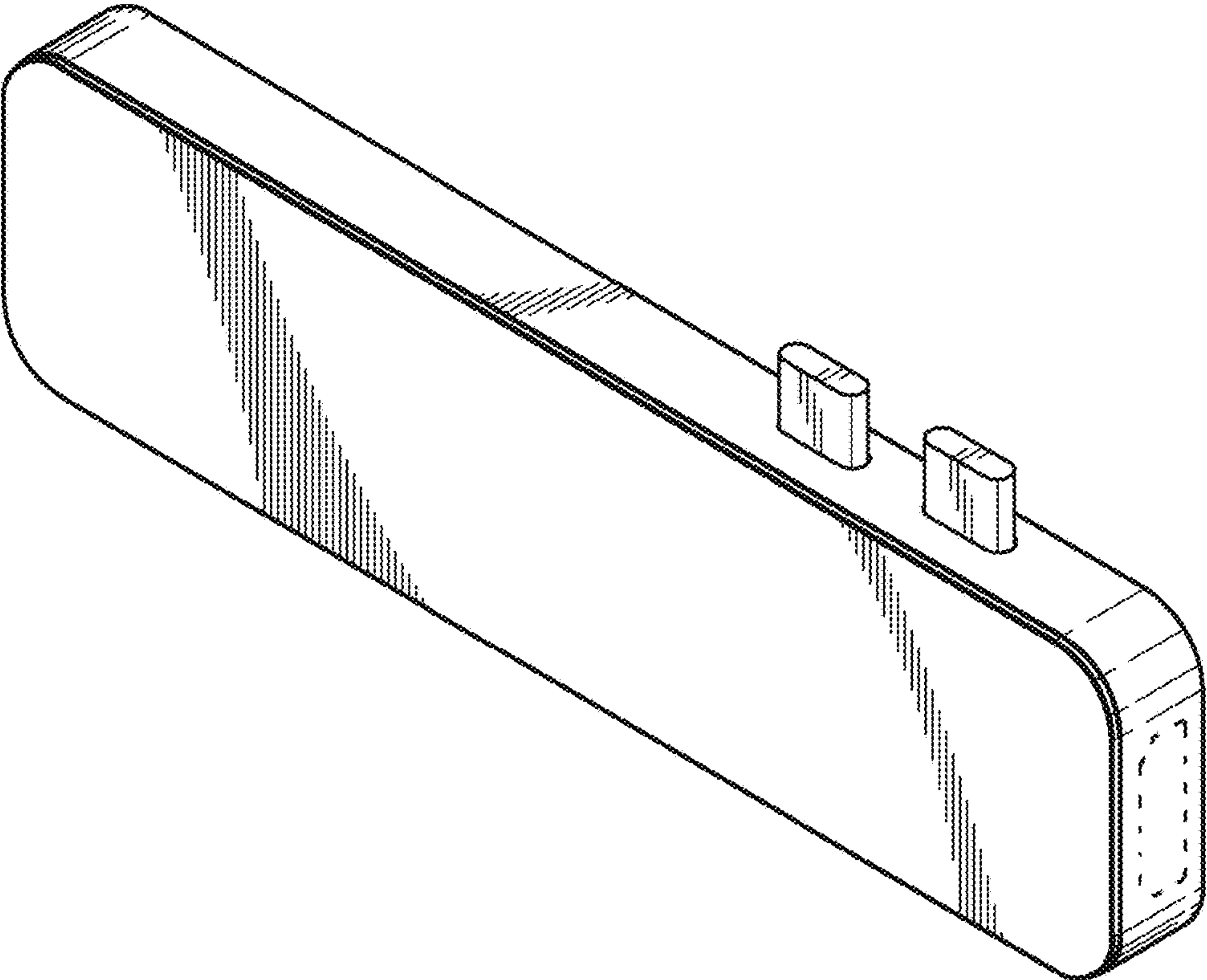


FIG. 2

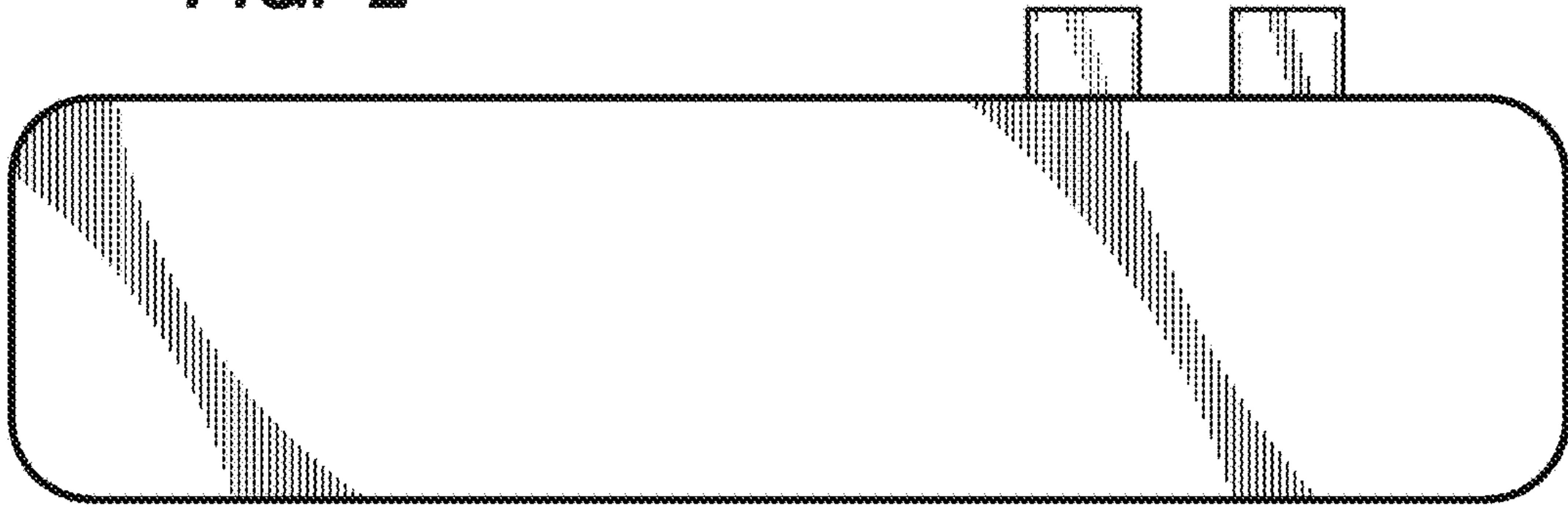


FIG. 3



FIG. 4

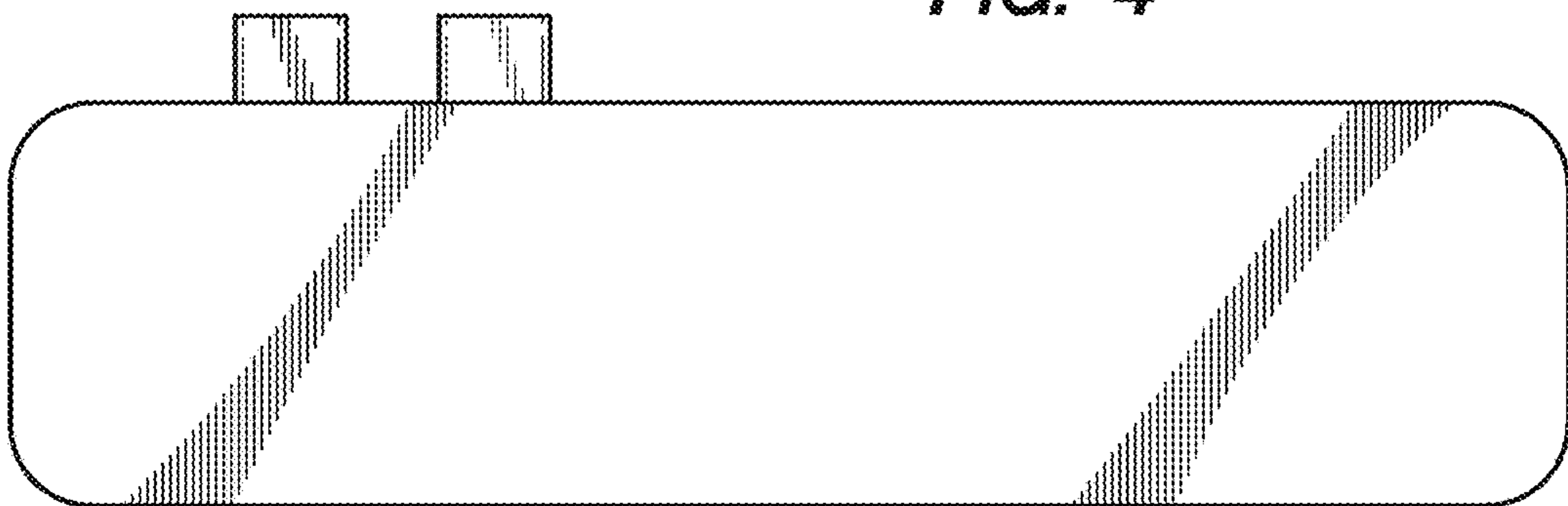


FIG. 5

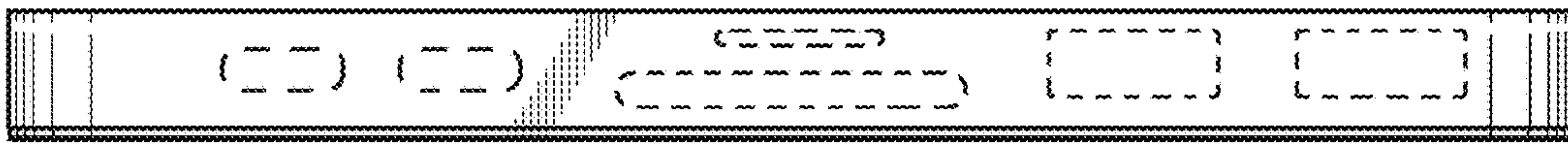
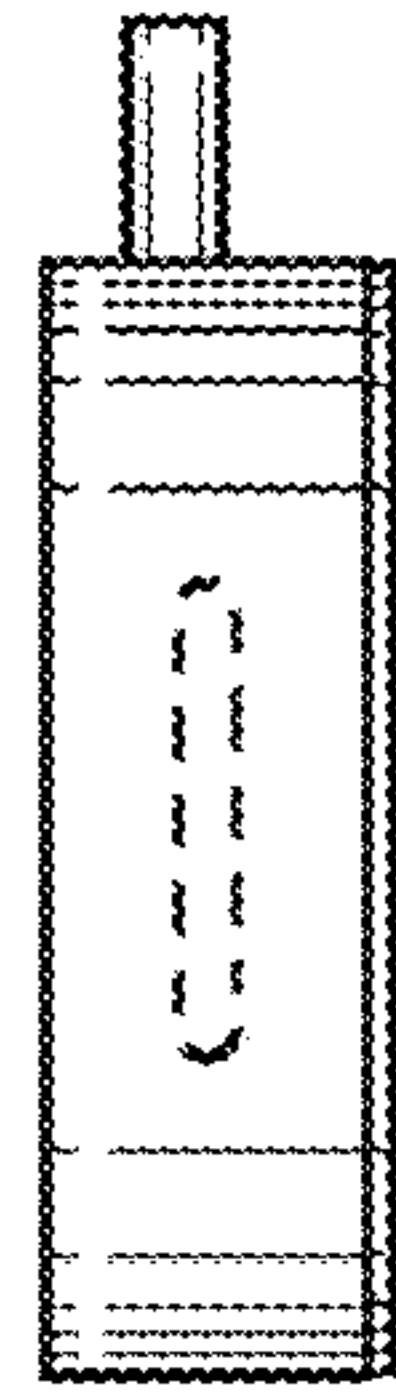


FIG. 6



FIG. 7



UNITED STATES PATENT AND TRADEMARK OFFICE
CERTIFICATE OF CORRECTION

PATENT NO. : D855,616 S
APPLICATION NO. : 29/585509
DATED : August 6, 2019
INVENTOR(S) : Kien Hoe Daniel Chin et al.

Page 1 of 1

It is certified that error appears in the above-identified patent and that said Letters Patent is hereby corrected as shown below:

On the Title Page

Item (12) delete "Chin" and insert --Chin et al.--

Item (72) should be corrected to read:

Kien Hoe Daniel Chin, Fremont, CA (US), Zhuowen Liao Shenzhen, CN

Signed and Sealed this
Twenty-second Day of November, 2022



Katherine Kelly Vidal
Director of the United States Patent and Trademark Office