



US00D855613S

(12) **United States Design Patent**
Kaiya et al.

(10) **Patent No.:** **US D855,613 S**

(45) **Date of Patent:** **** Aug. 6, 2019**

(54) **DATA INPUT MACHINE**

(71) Applicant: **Fujitsu Frontech Limited**, Tokyo (JP)

(72) Inventors: **Takumi Kaiya**, Tokyo (JP); **Hiroyuki Tanaka**, Tokyo (JP); **Akinori Tsujikawa**, Tokyo (JP)

(73) Assignee: **Fujitsu Frontech Limited**, Tokyo (JP)

(**) Term: **15 Years**

(21) Appl. No.: **29/636,114**

(22) Filed: **Feb. 6, 2018**

(30) **Foreign Application Priority Data**

Sep. 5, 2017 (JP) 2017-019138

(51) **LOC (12) Cl.** **14-02**

(52) **U.S. Cl.**
USPC **D14/383**

(58) **Field of Classification Search**
USPC D14/356-358, 383-385, 420, 426, 427,
D14/432-439, 447, 453, 454, 217, 253,
D14/299, 307; D13/107, 108, 133, 146,
D13/147, 152, 154, 156, 158, 162, 162.1,
D13/168, 173, 177, 102; 235/441, 451,
235/492, 380, 439, 375; 361/679.31, 600,
361/679.01, 679.02
CPC G07C 9/00103; G07C 9/00039; G07C
9/00904; G06K 5/00; G06K 7/01
See application file for complete search history.

(56) **References Cited**

U.S. PATENT DOCUMENTS

D508,245 S * 8/2005 Ozolins D14/383
D535,992 S * 1/2007 Ozolins D14/383

D648,722 S * 11/2011 Meyerhoffer D14/341
D718,307 S * 11/2014 Ozolins D14/383
D727,901 S * 4/2015 Nishimura D14/383
D736,207 S * 8/2015 Bousfield D14/385
D761,260 S * 7/2016 Luo D14/383
D784,332 S * 4/2017 Hsu D14/383
D837,213 S * 1/2019 Kaiya D14/407
D838,271 S * 1/2019 Kaneko D14/384
D839,874 S * 2/2019 Biesart D14/383

* cited by examiner

Primary Examiner — Austin Murphy

(74) *Attorney, Agent, or Firm* — Schwegman Lundberg & Woessner, P.A.

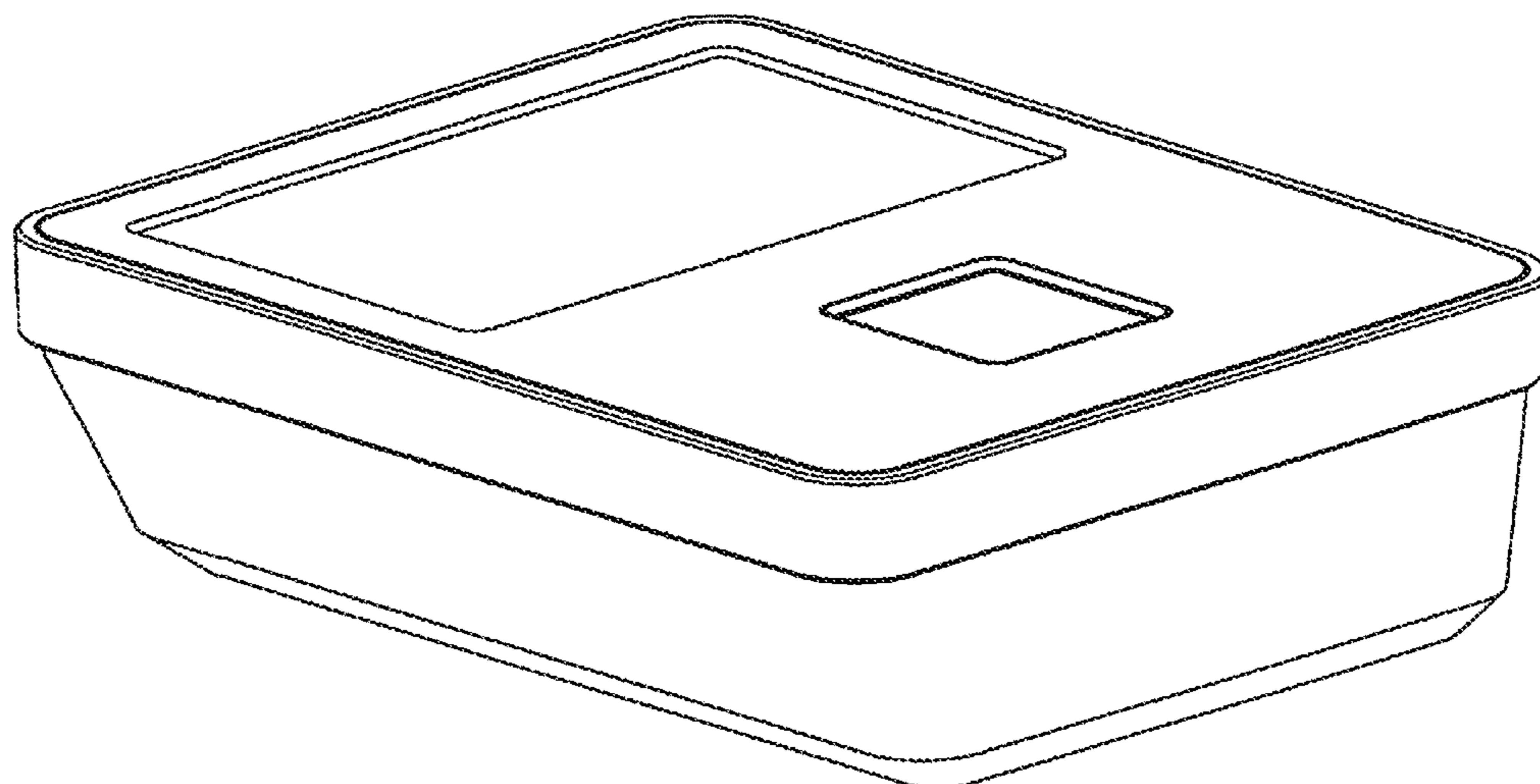
(57) **CLAIM**

The ornamental design for a data input machine, as shown and described.

DESCRIPTION

FIG. 1 is a perspective view of a data input machine showing our new design;
FIG. 2 is a top plan view thereof;
FIG. 3 is a front elevational view thereof;
FIG. 4 is a right side elevational view thereof;
FIG. 5 is a bottom plan view thereof; and,
FIG. 6 is VI-VI cross-sectional view with internal mechanism omitted therefrom.
The left side elevational view, which has a symmetrical relationship with the right side elevational view, is omitted herein.
The rear elevational view, which has a symmetrical relationship with the front elevational view, is omitted herein.

1 Claim, 6 Drawing Sheets



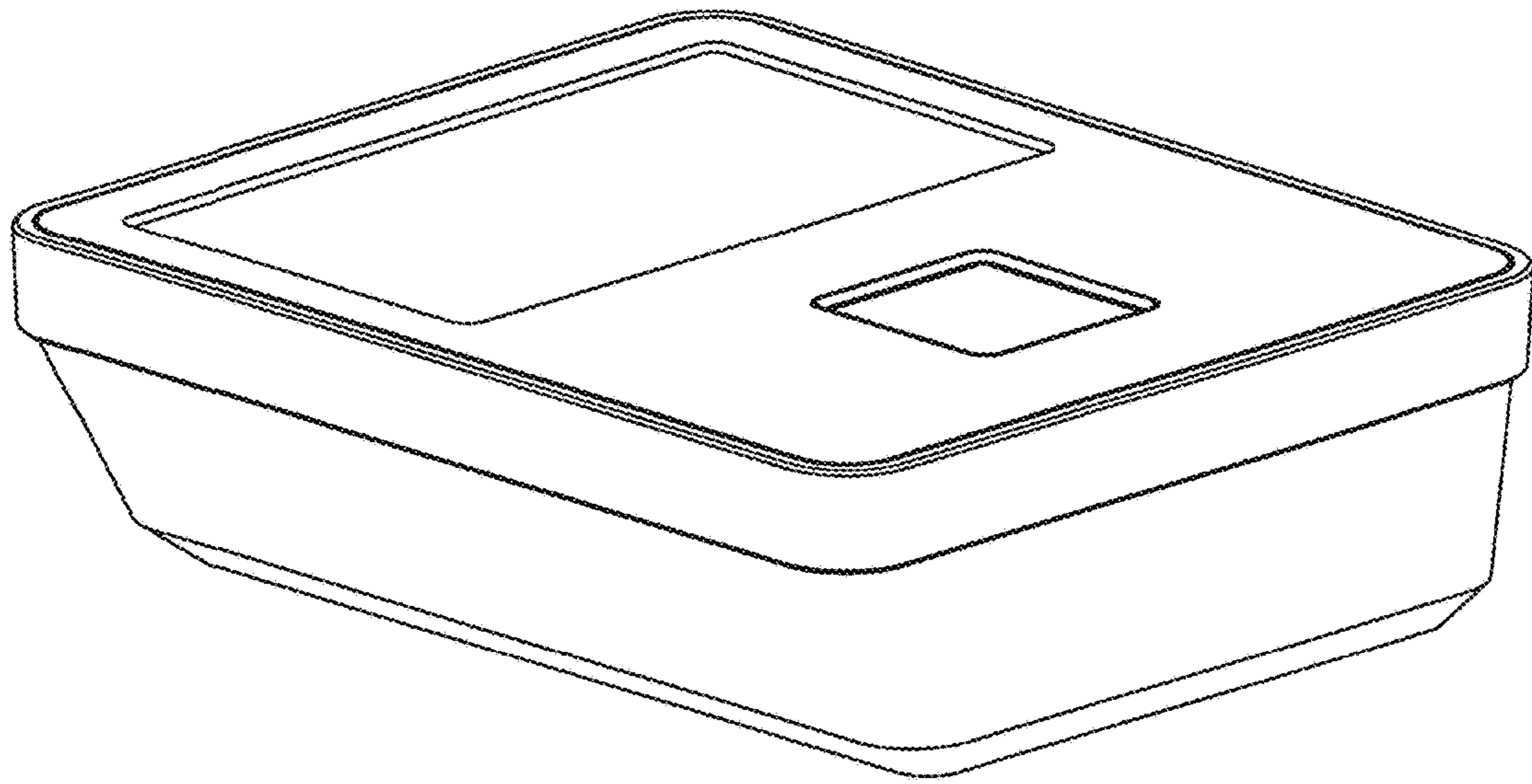


Fig. 1

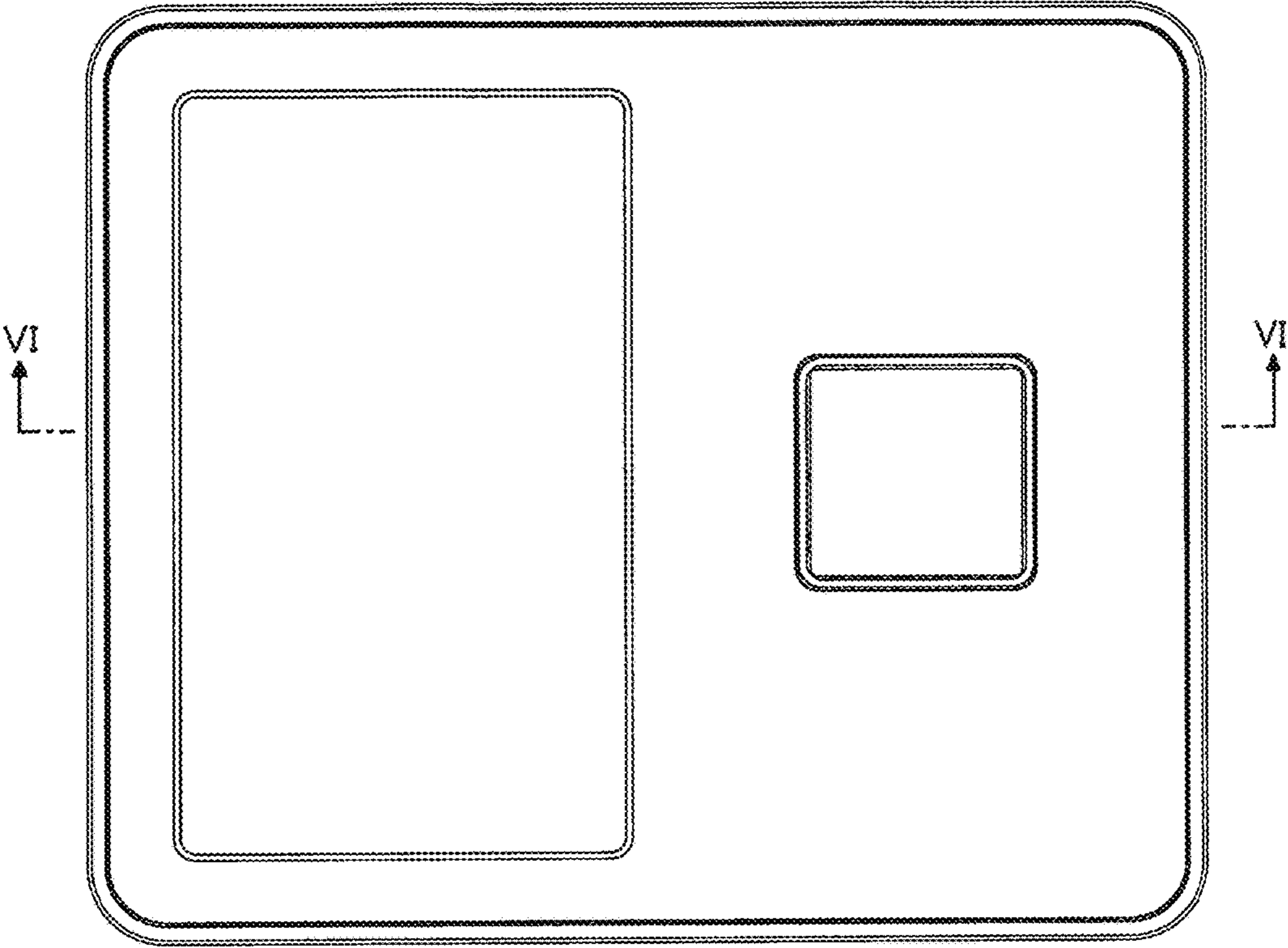


Fig. 2

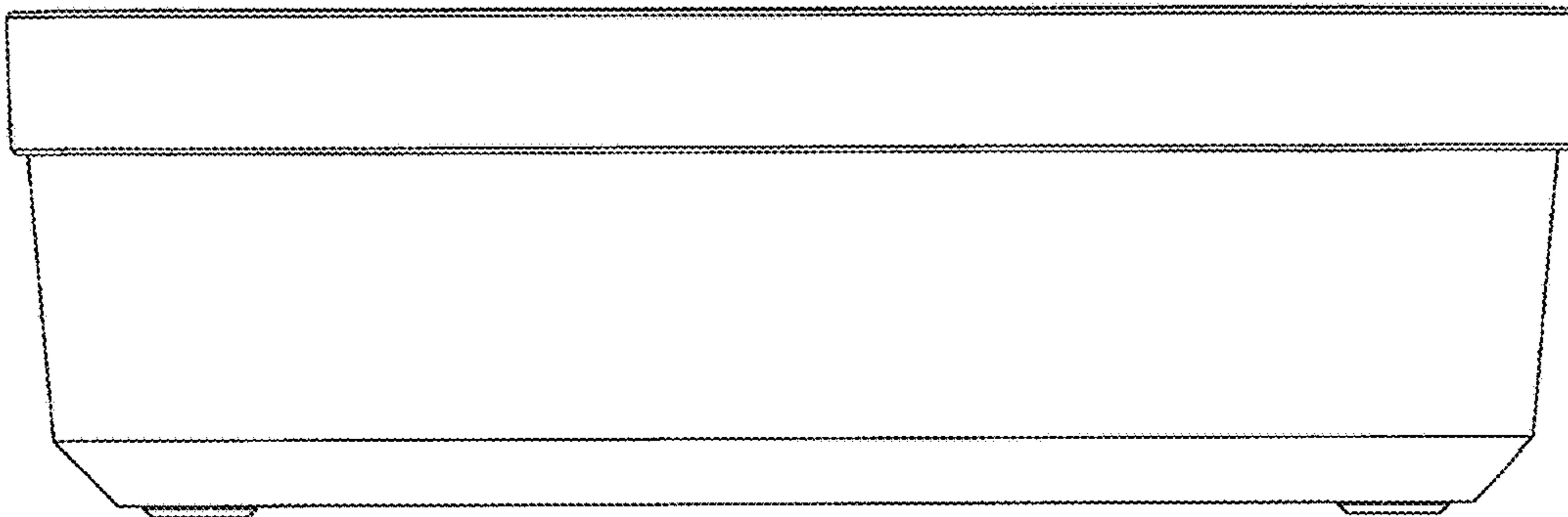


Fig. 3

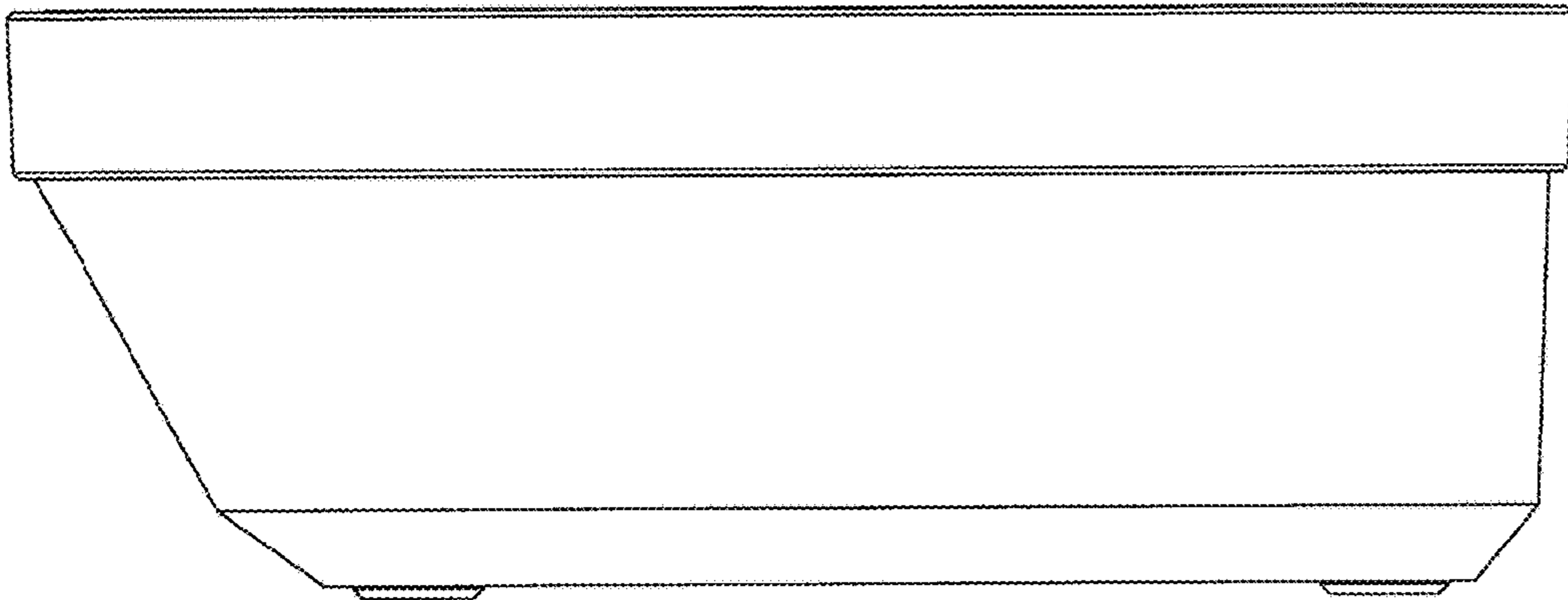


Fig. 4

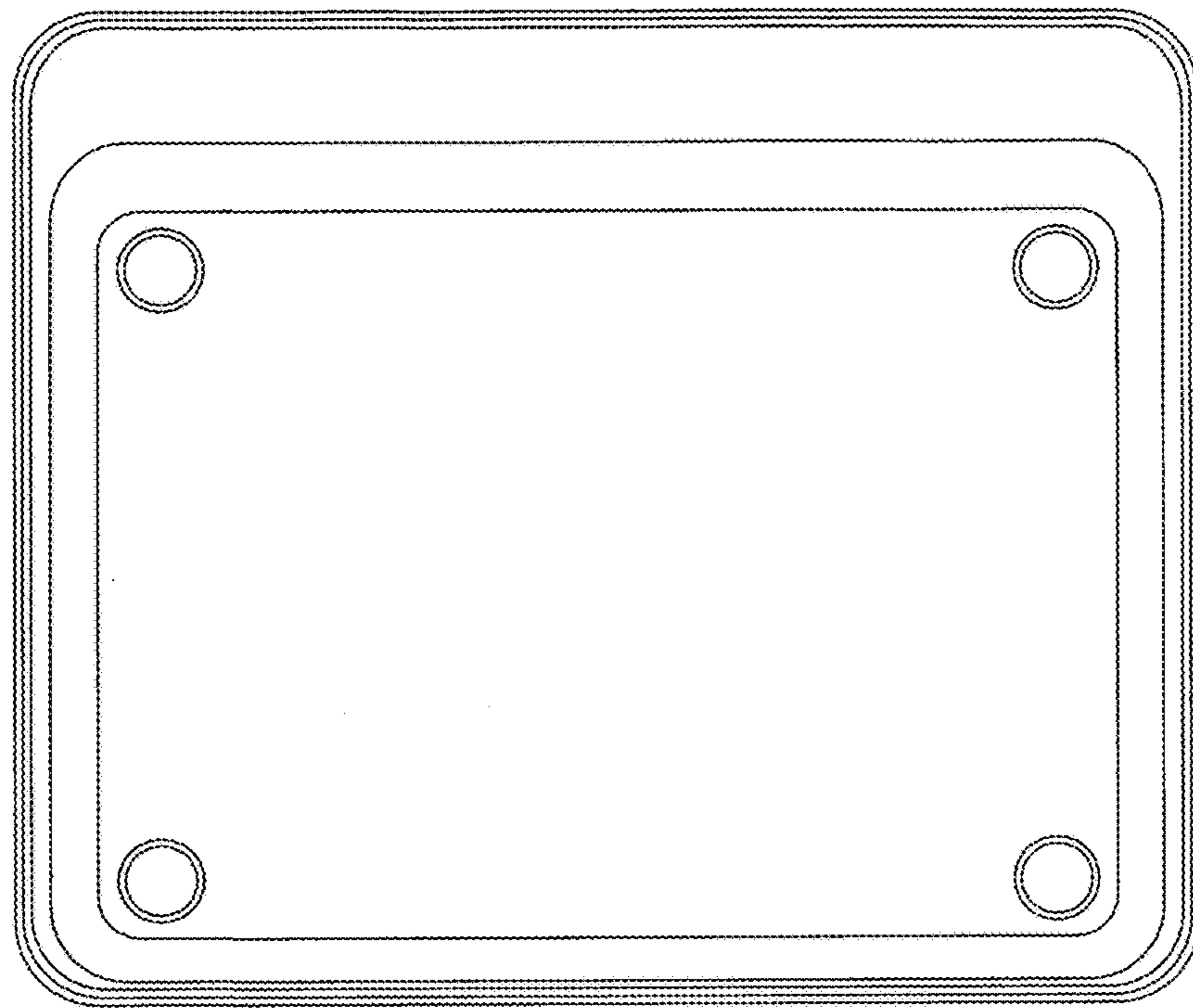


Fig. 5

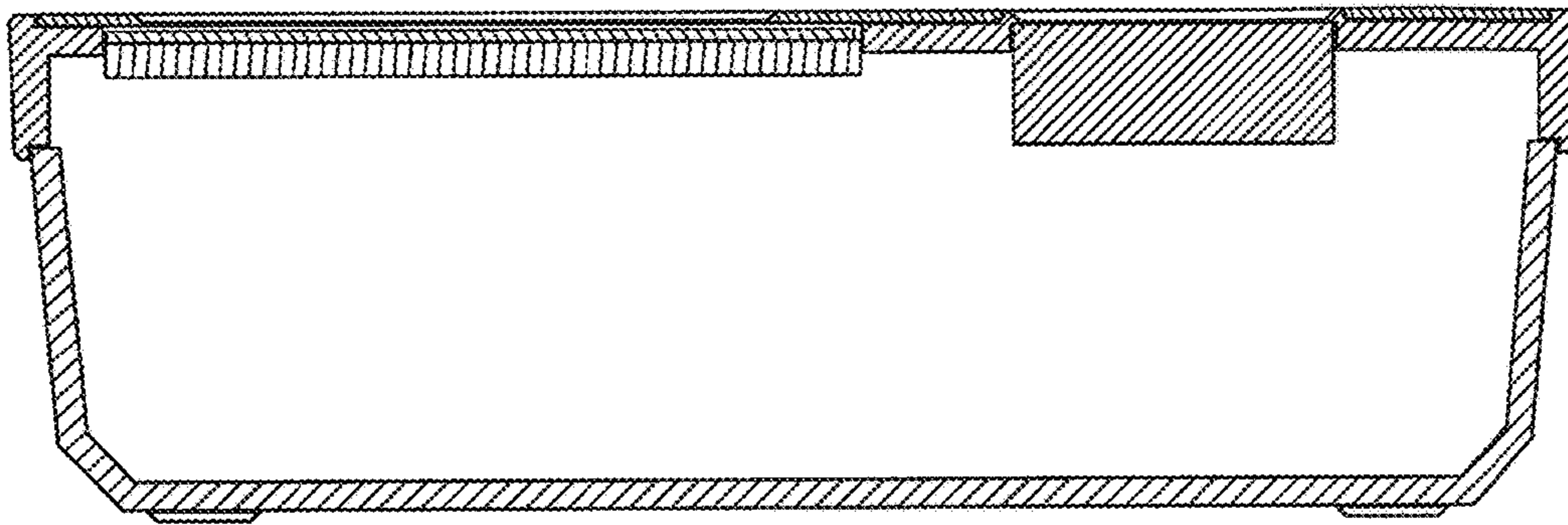


Fig. 6