



US00D855611S

(12) **United States Design Patent** (10) **Patent No.:** **US D855,611 S**  
**Thetard et al.** (45) **Date of Patent:** **\*\* Aug. 6, 2019**

(54) **DISPLAY DEVICE**

(71) Applicant: **Dell Products L.P.**, Round Rock, TX (US)

(72) Inventors: **Etienne Thetard**, Singapore (SG);  
**Toshiyuki Tanaka**, Mendham, NJ (US);  
**Khang Chian Yong**, Singapore (SG);  
**Tung Chen Wu**, Singapore (SG)

(73) Assignee: **Dell Products L.P.**, Round Rock, TX (US)

(\*\*) Term: **15 Years**

(21) Appl. No.: **29/601,569**

(22) Filed: **Apr. 24, 2017**

(51) **LOC (12) Cl.** ..... **14-02**

(52) **U.S. Cl.**  
USPC ..... **D14/336**

(58) **Field of Classification Search**  
USPC ..... D14/336, 341, 447-452, 371, 373, 374,  
D14/375, 376, 377, 126, 127, 128, 129  
CPC ..... G06F 1/1601; G06F 1/1605; G06F 1/162  
See application file for complete search history.

(56) **References Cited**

**U.S. PATENT DOCUMENTS**

D750,627 S *	3/2016	Lee	.....	D14/375
D751,075 S *	3/2016	Ho	.....	D14/374
D761,256 S *	7/2016	Lee	.....	D14/371
D762,213 S *	7/2016	Won	.....	D14/374
D763,259 S *	8/2016	Lee	.....	D14/375
D810,744 S *	2/2018	Wang	.....	D14/374

(Continued)

**FOREIGN PATENT DOCUMENTS**

JP 2009159084 A \* 7/2009 ..... G06F 1/1605

**OTHER PUBLICATIONS**

Dell. Link: <https://www.dell.com/en-us/shop/dell-optiplex-24-7000-series-all-in-one-height-adjustable-stand/apd/452-bcci/pc->

accessories. Visited Sep. 14, 2018. Dell OptiPlex 24 7000 Series All-in-One Height Adjustable Stand. (Year: 2018).\*

*Primary Examiner* — Susan Bennett Hattan

*Assistant Examiner* — Lauren D McVey

(74) *Attorney, Agent, or Firm* — Terrile, Cannatti & Chambers; Stephen A. Terrile

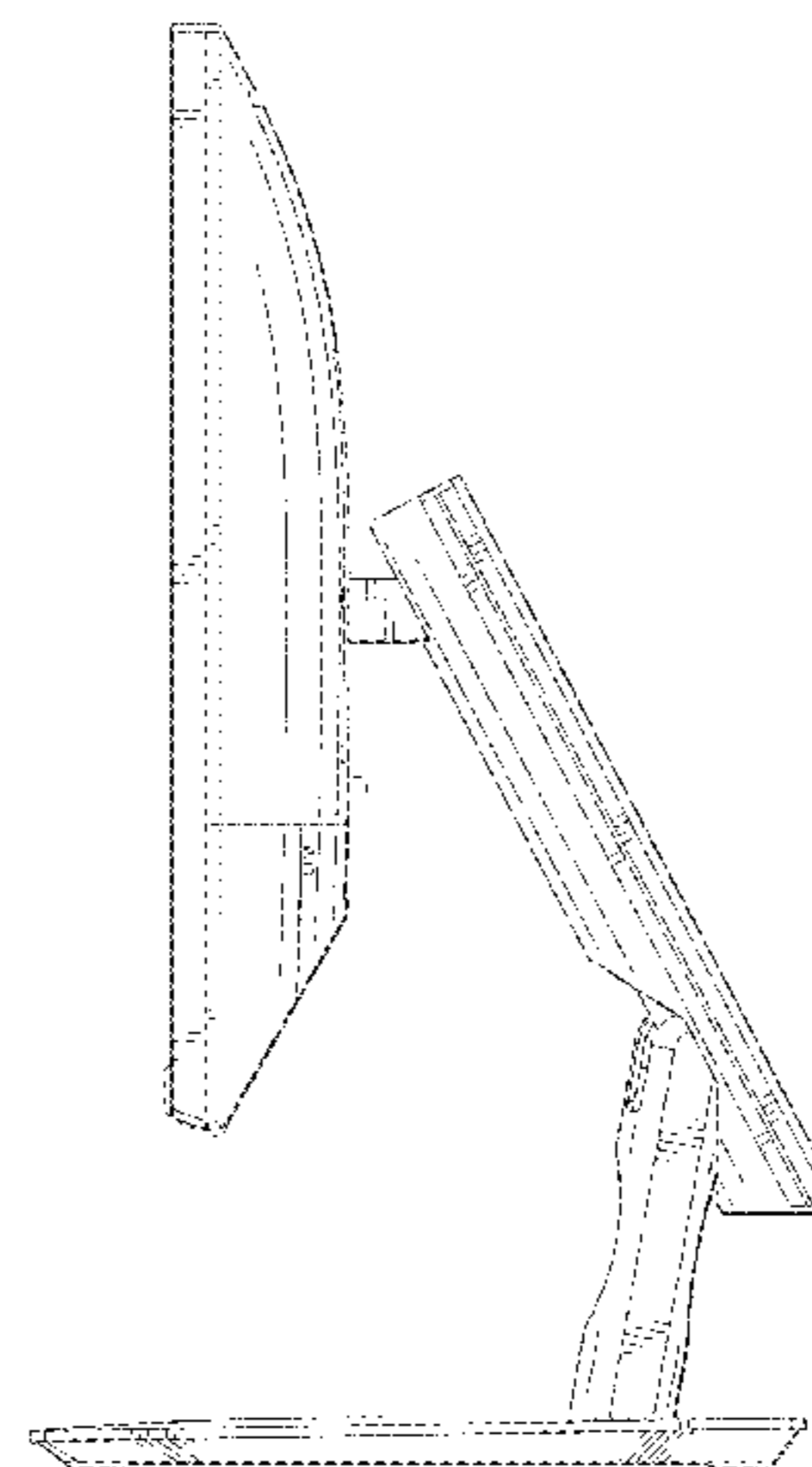
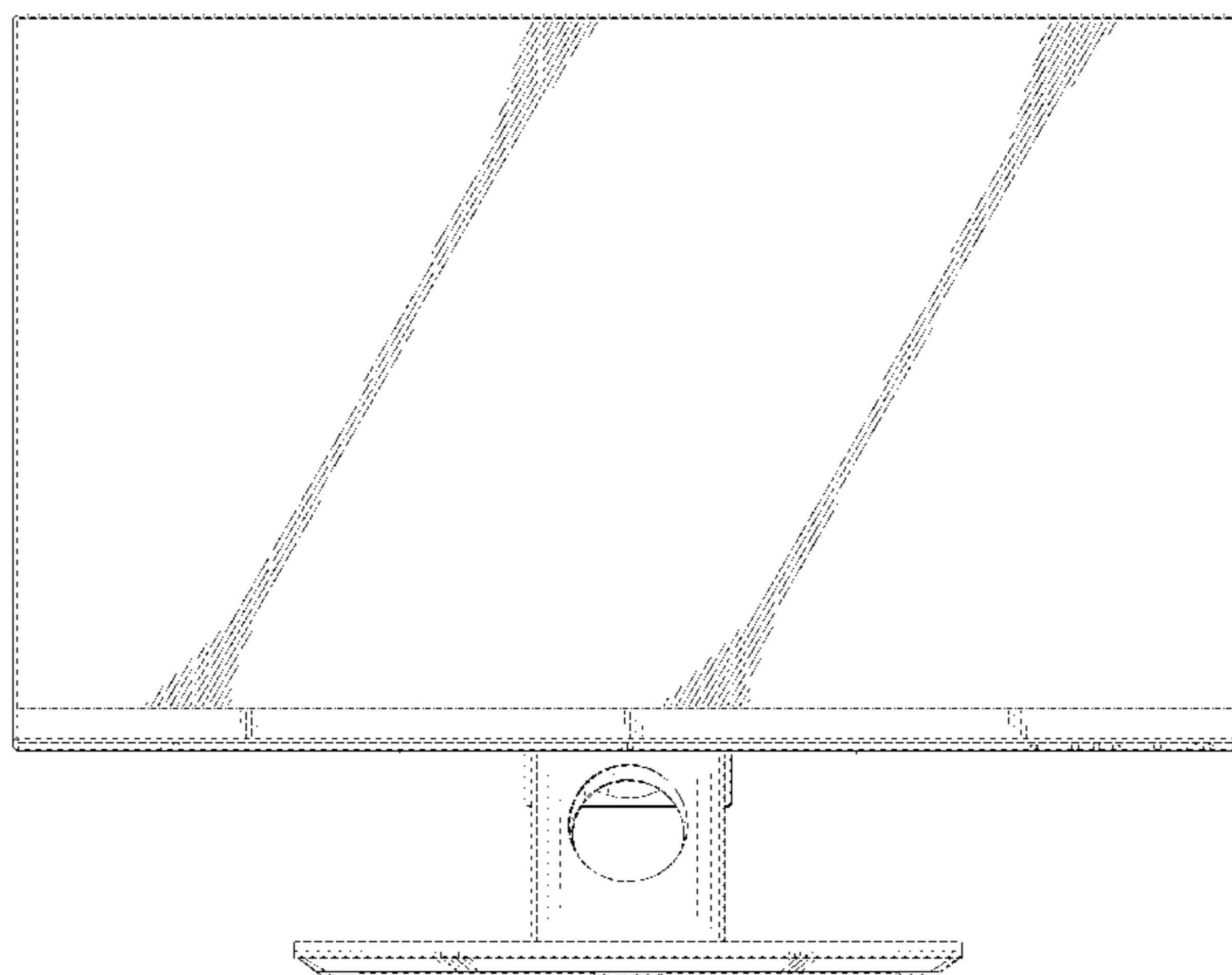
(57) **CLAIM**

We claim the ornamental design for a display device, as shown and described.

**DESCRIPTION**

FIG. 1 is a front perspective view of the display device comprising the present invention in a first position; FIG. 2 is a front view thereof; FIG. 3 is a rear thereof; FIG. 4 is a right side view thereof; FIG. 5 is a left side view thereof; FIG. 6 is a top view thereof; FIG. 7 is a bottom view thereof; FIG. 8 is a rear perspective view thereof; FIG. 9 is front perspective view of the display device of FIG. 1 shown in another position; FIG. 10 is a right side view thereof; FIG. 11 is a rear perspective view thereof; FIG. 12 is a front perspective view of the display device of FIG. 1 shown in another position; FIG. 13 is a right side view thereof; FIG. 14 is a rear perspective view thereof; FIG. 15 is a front perspective view of the display device of FIG. 1 shown in another position; FIG. 16 is a right side view thereof; and, FIG. 17 is a rear perspective view thereof. The broken lines immediately adjacent to the shaded areas and define unshaded regions, depict the bounds of the claimed design. All other broken lines are directed to environment. The broken lines form no part of the claimed design.

**1 Claim, 16 Drawing Sheets**



(56)

**References Cited**

U.S. PATENT DOCUMENTS

D812,614 S *	3/2018	Lee	.....	D14/375
D812,615 S *	3/2018	Lee	.....	D14/375
D819,029 S *	5/2018	Seo	.....	D14/374
D821,395 S *	6/2018	Thetard	.....	D14/374
D827,644 S *	9/2018	Kim	.....	D14/377
2014/0240200 A1 *	8/2014	Khor	.....	G06F 1/1601 345/1.3

\* cited by examiner

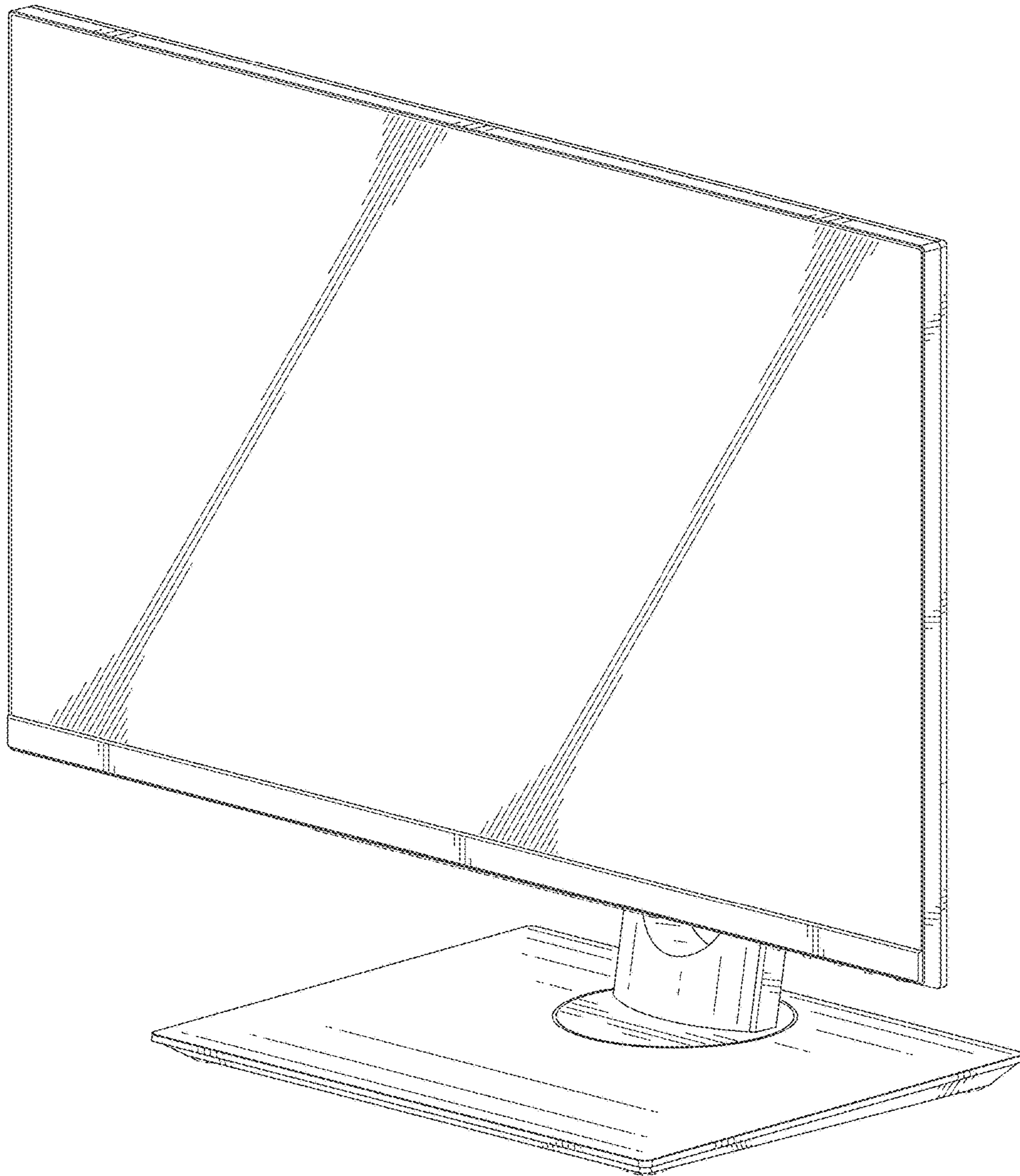


FIG. 1

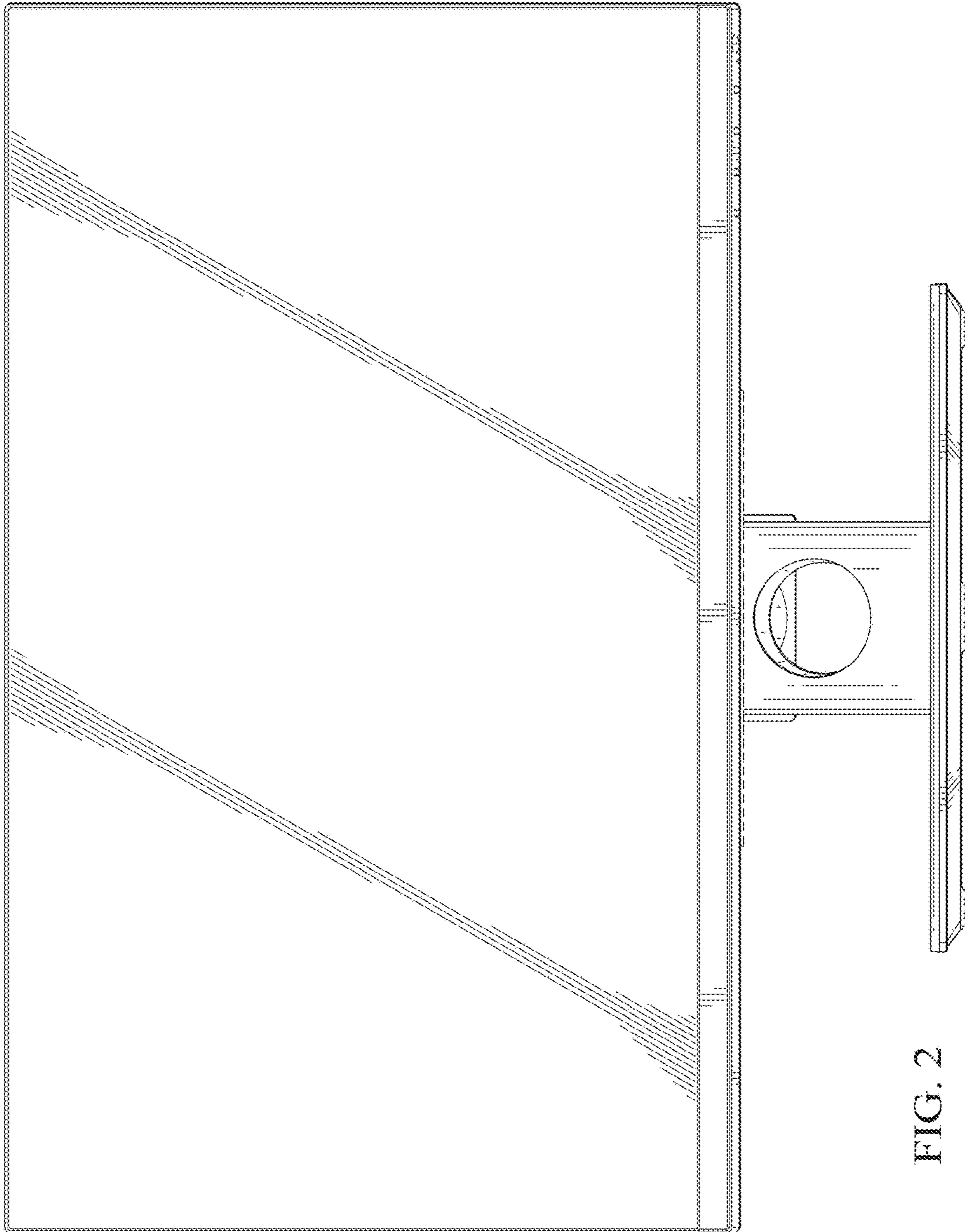


FIG. 2

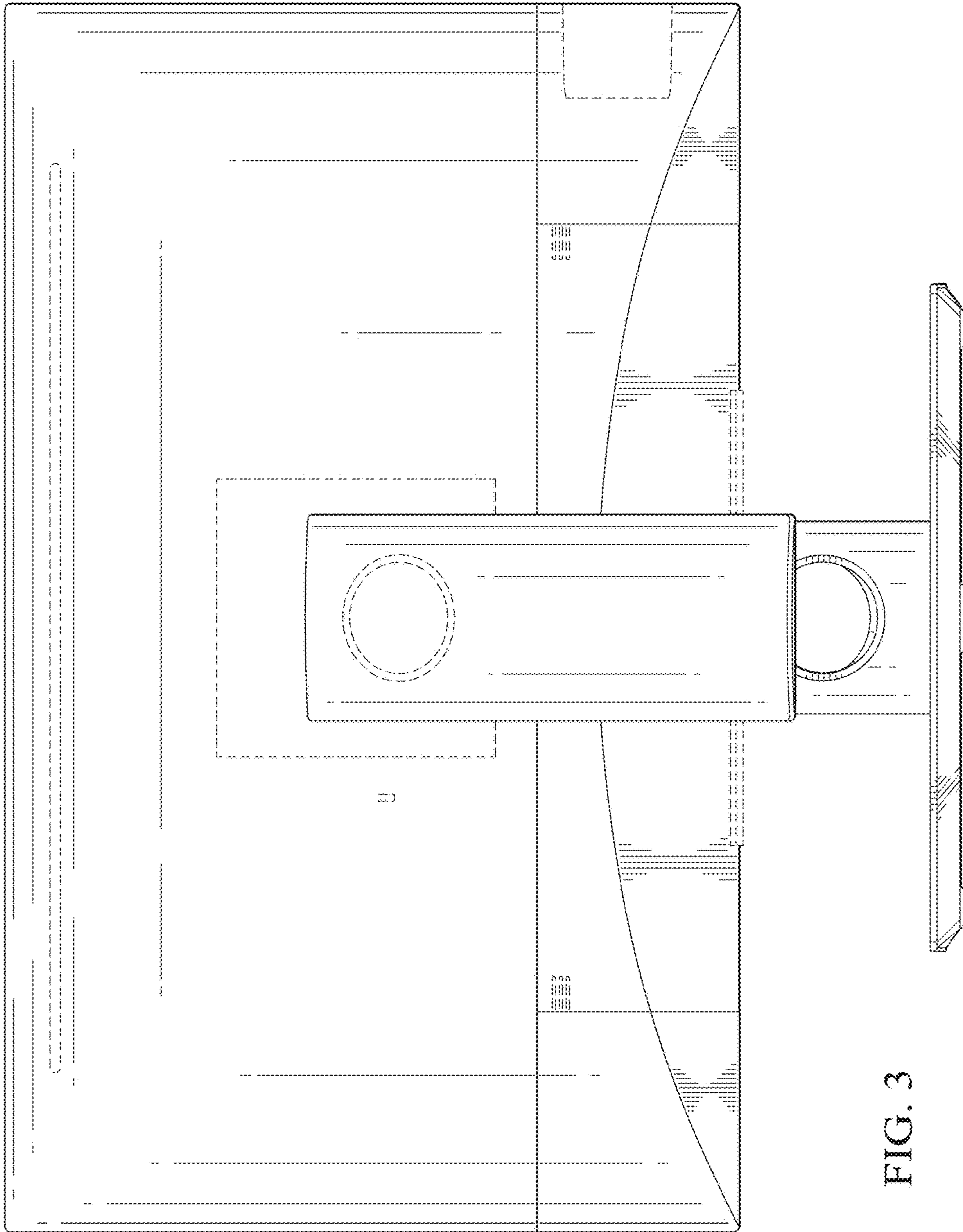
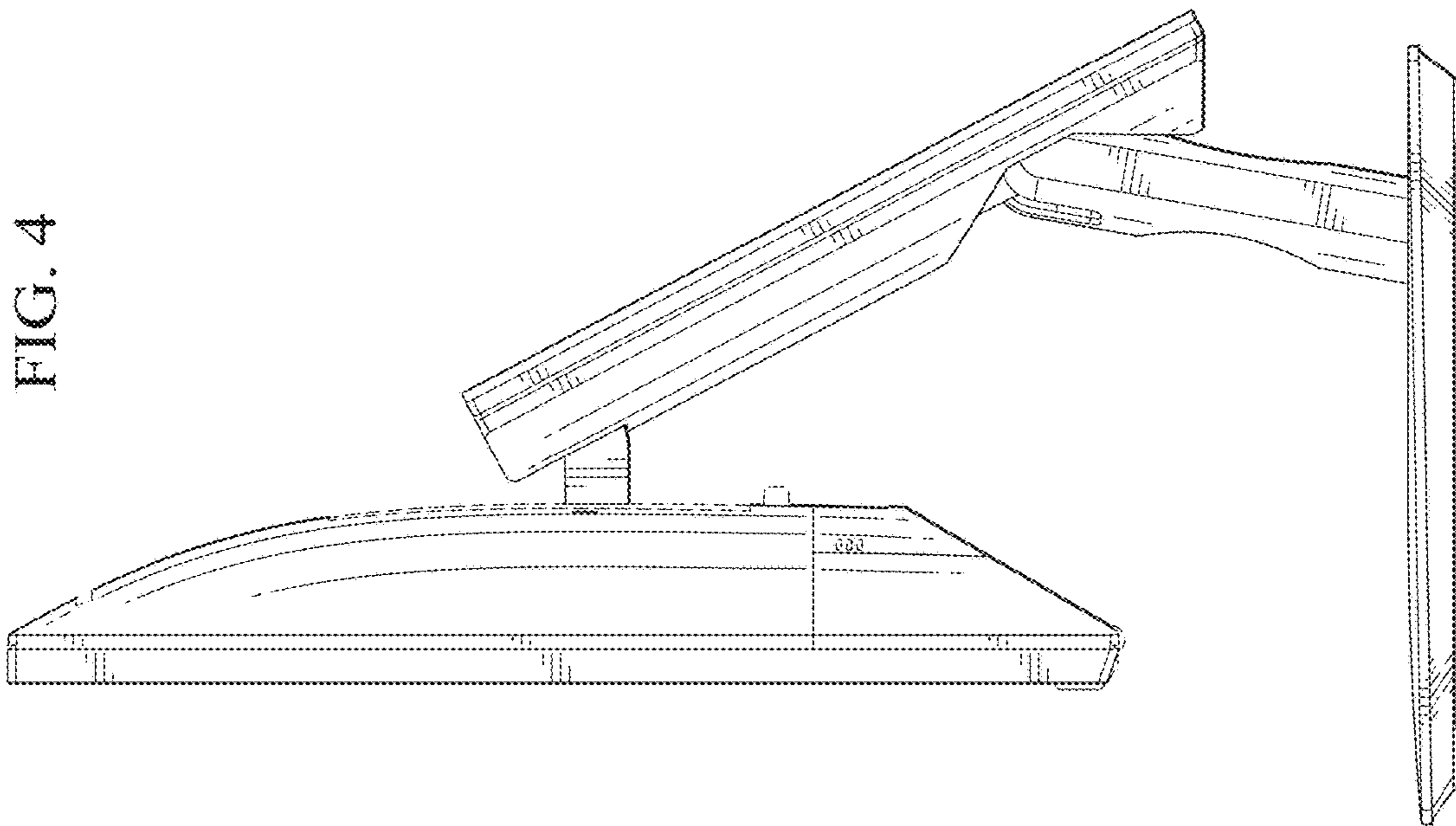
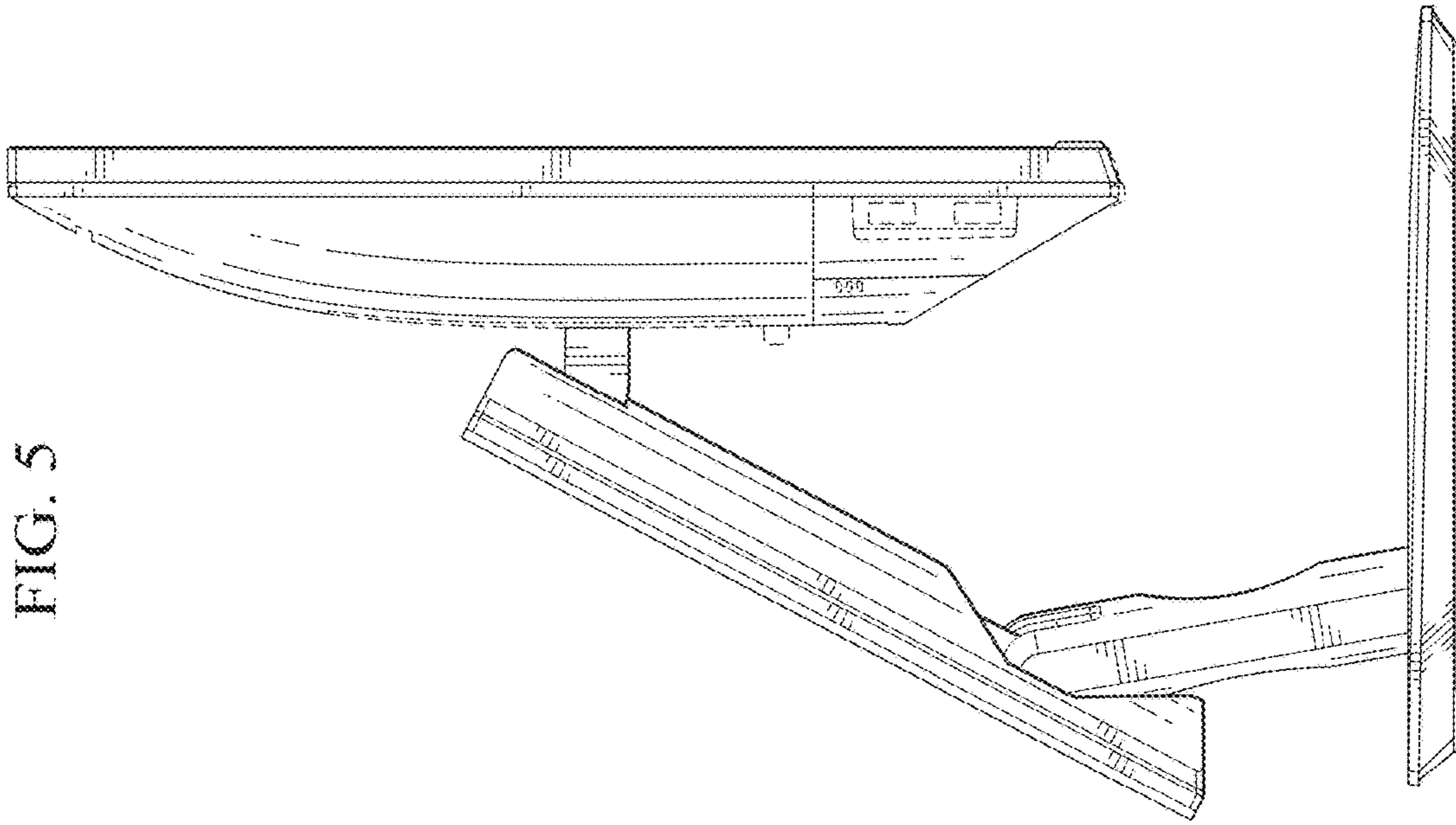


FIG. 3



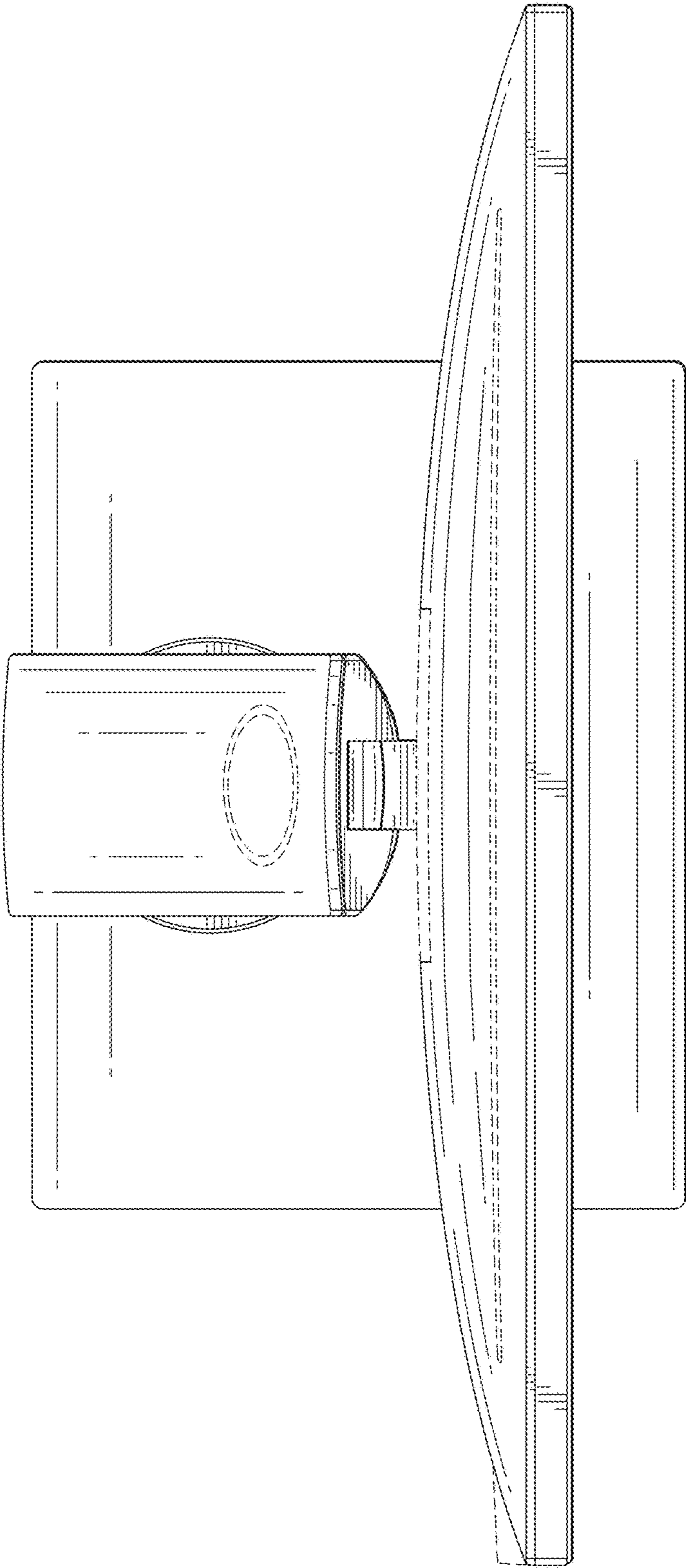


FIG. 6

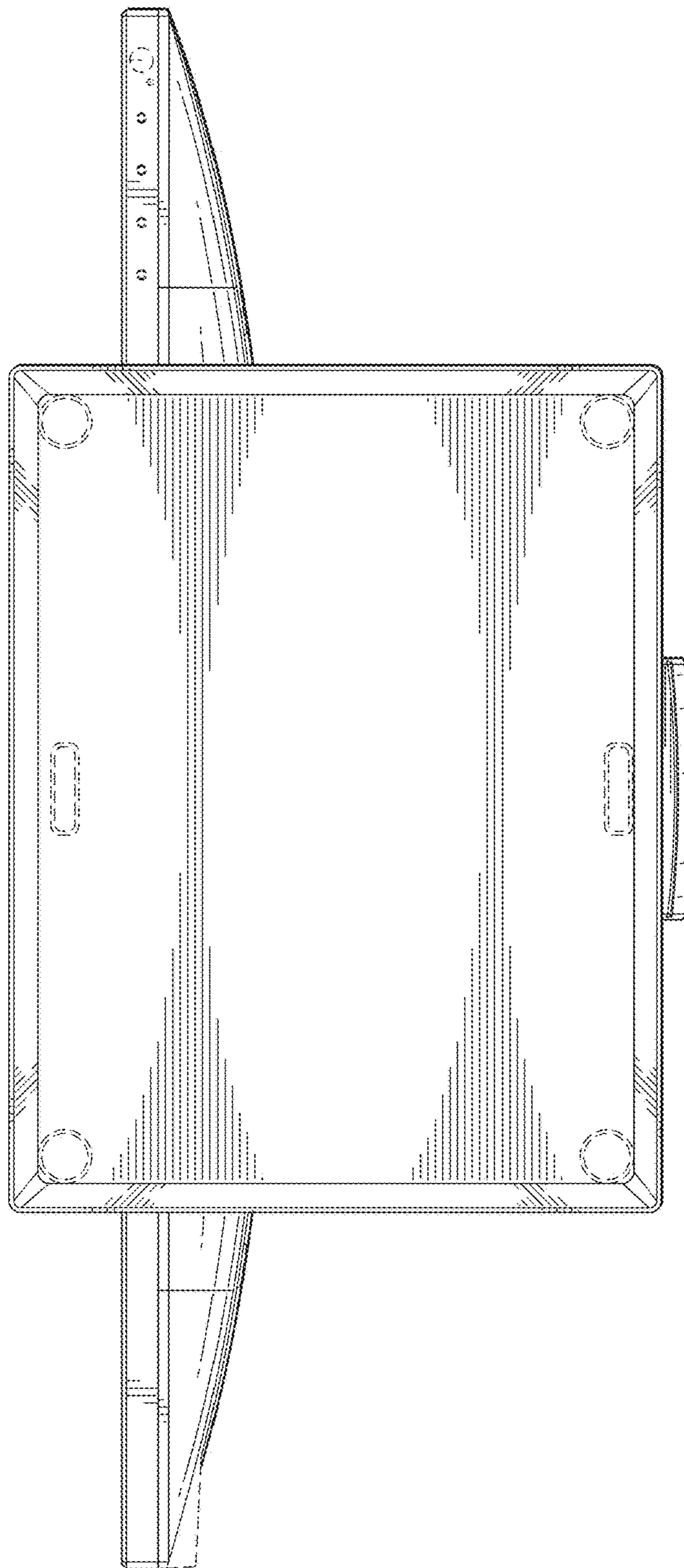


FIG. 7



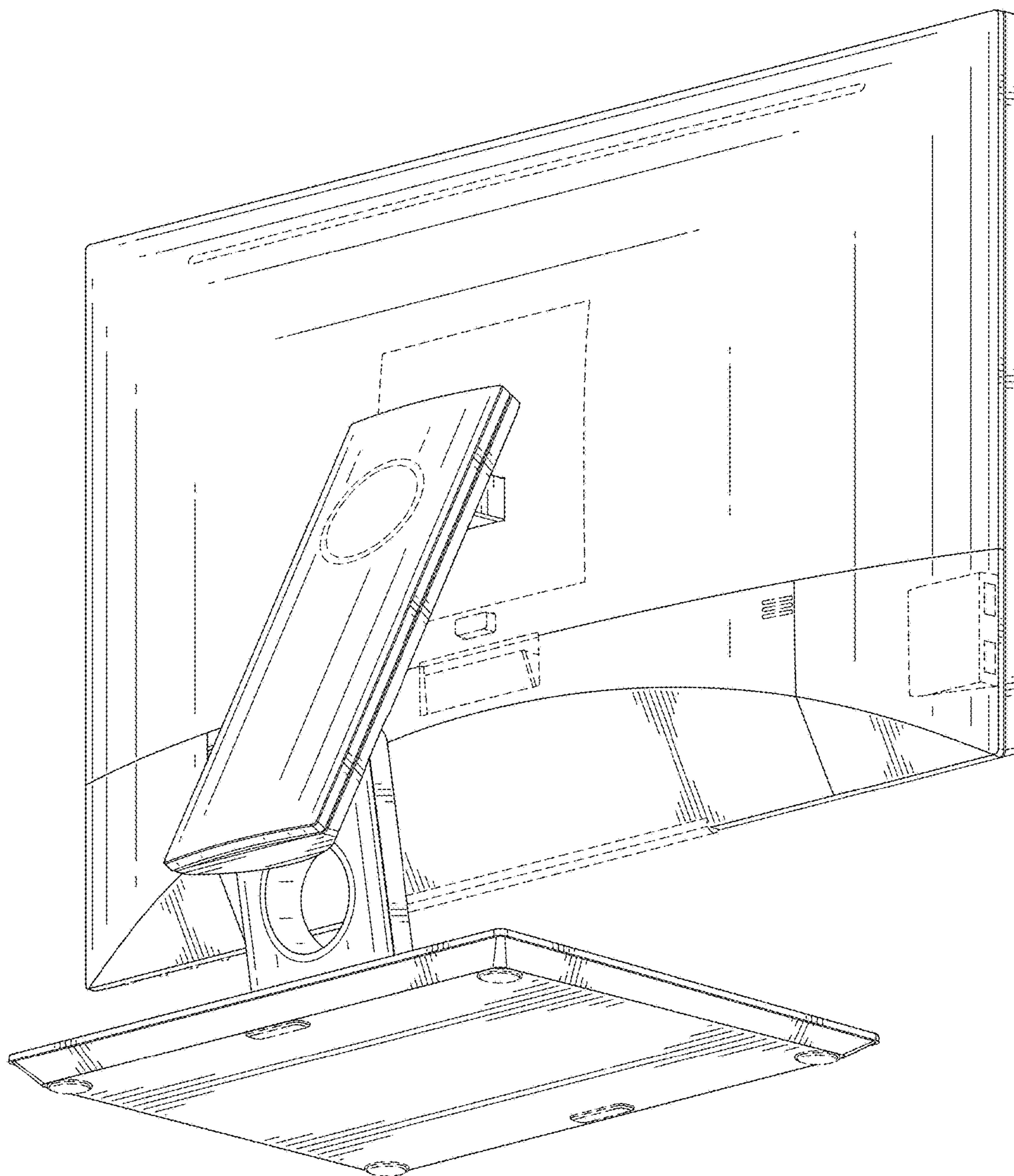


FIG. 8

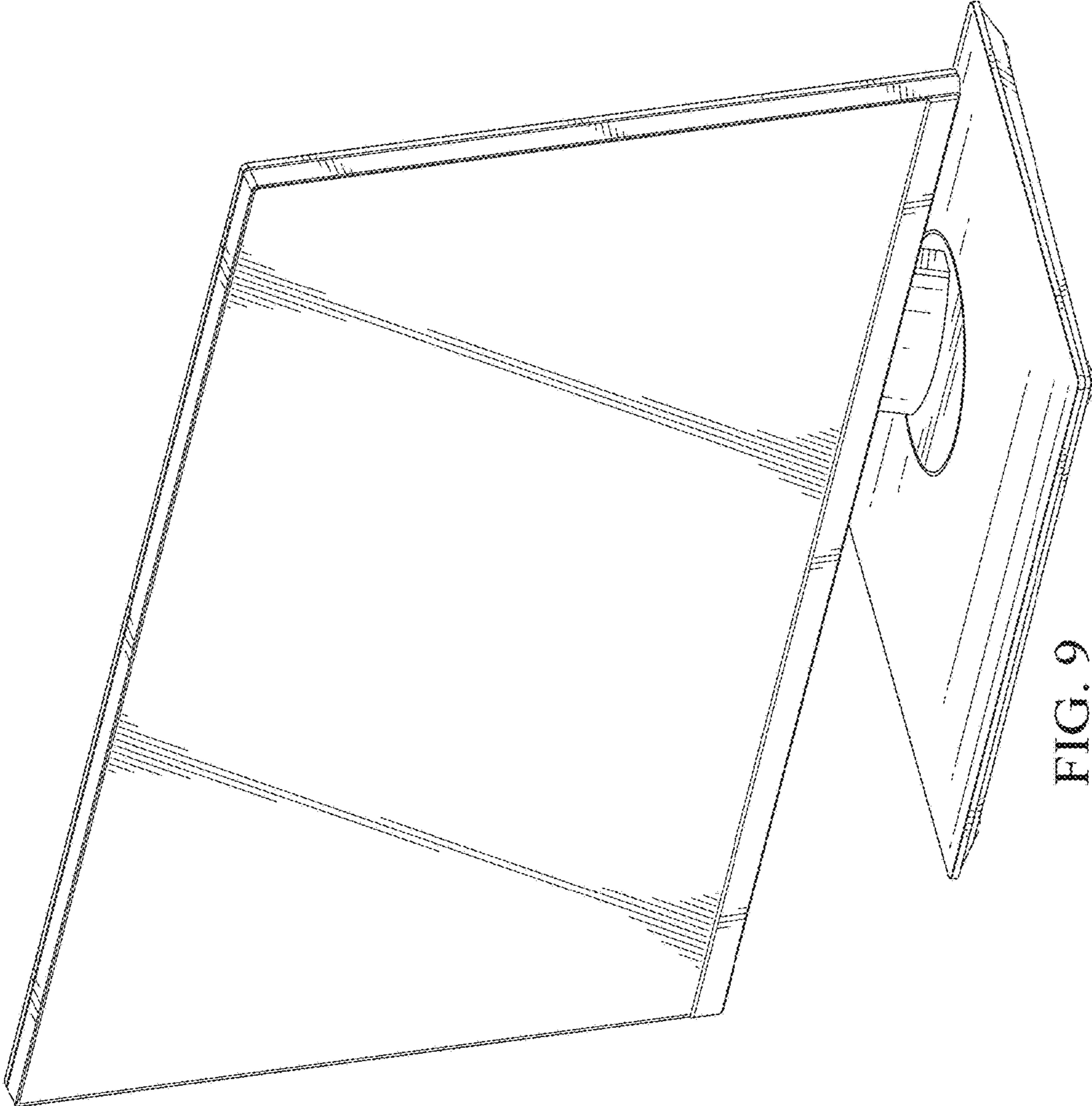
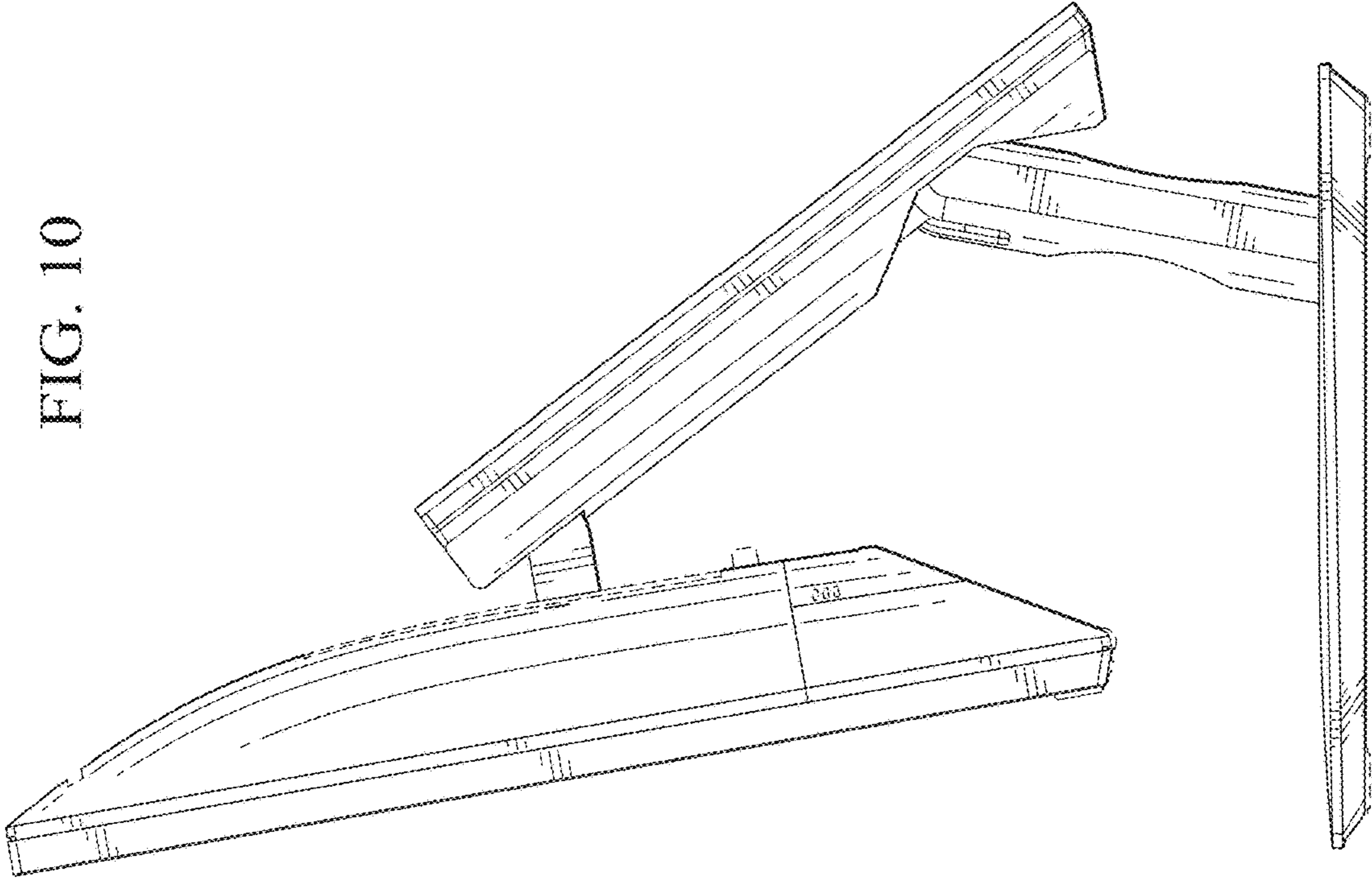


FIG. 9

FIG. 10



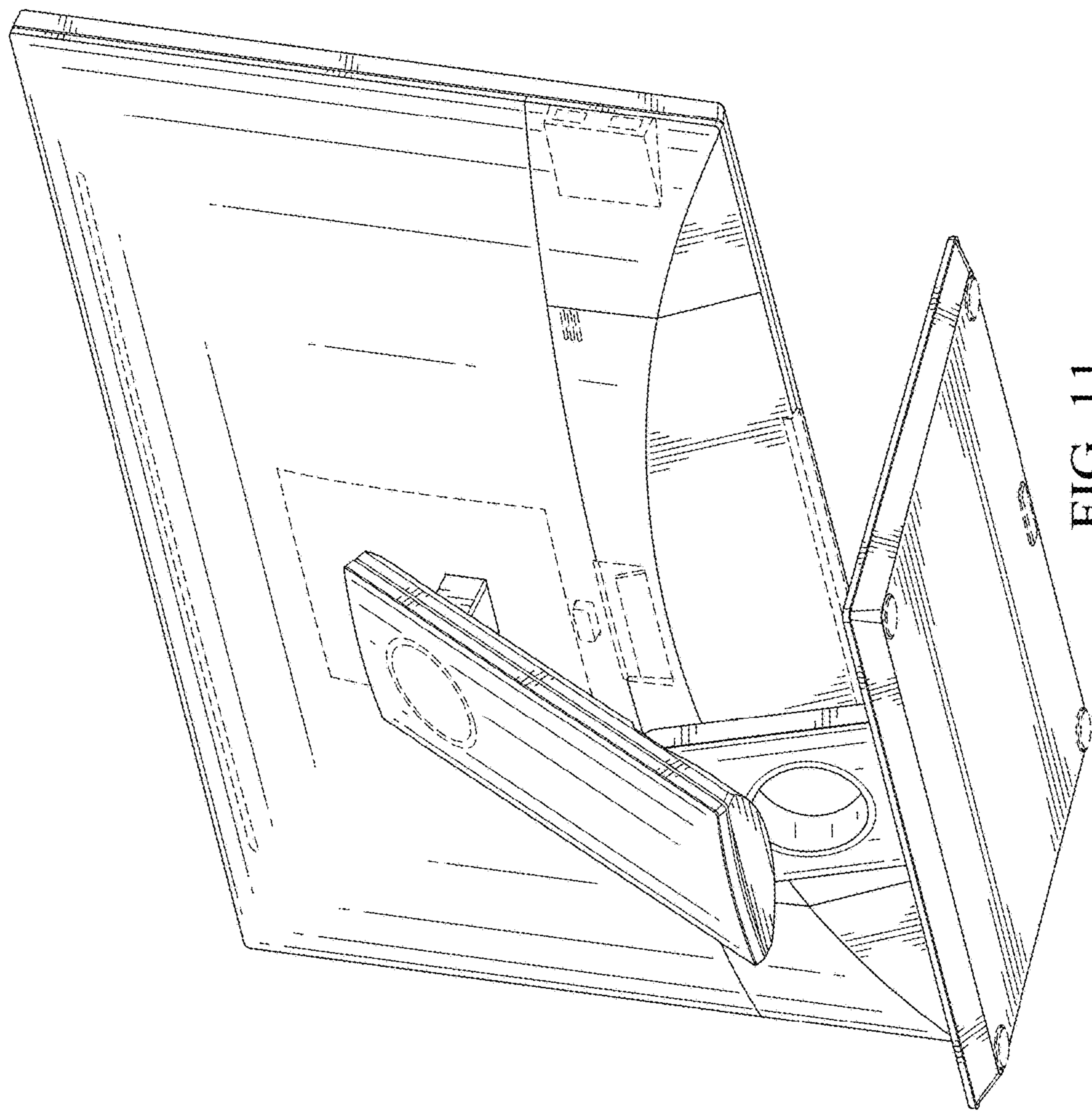


FIG. 11

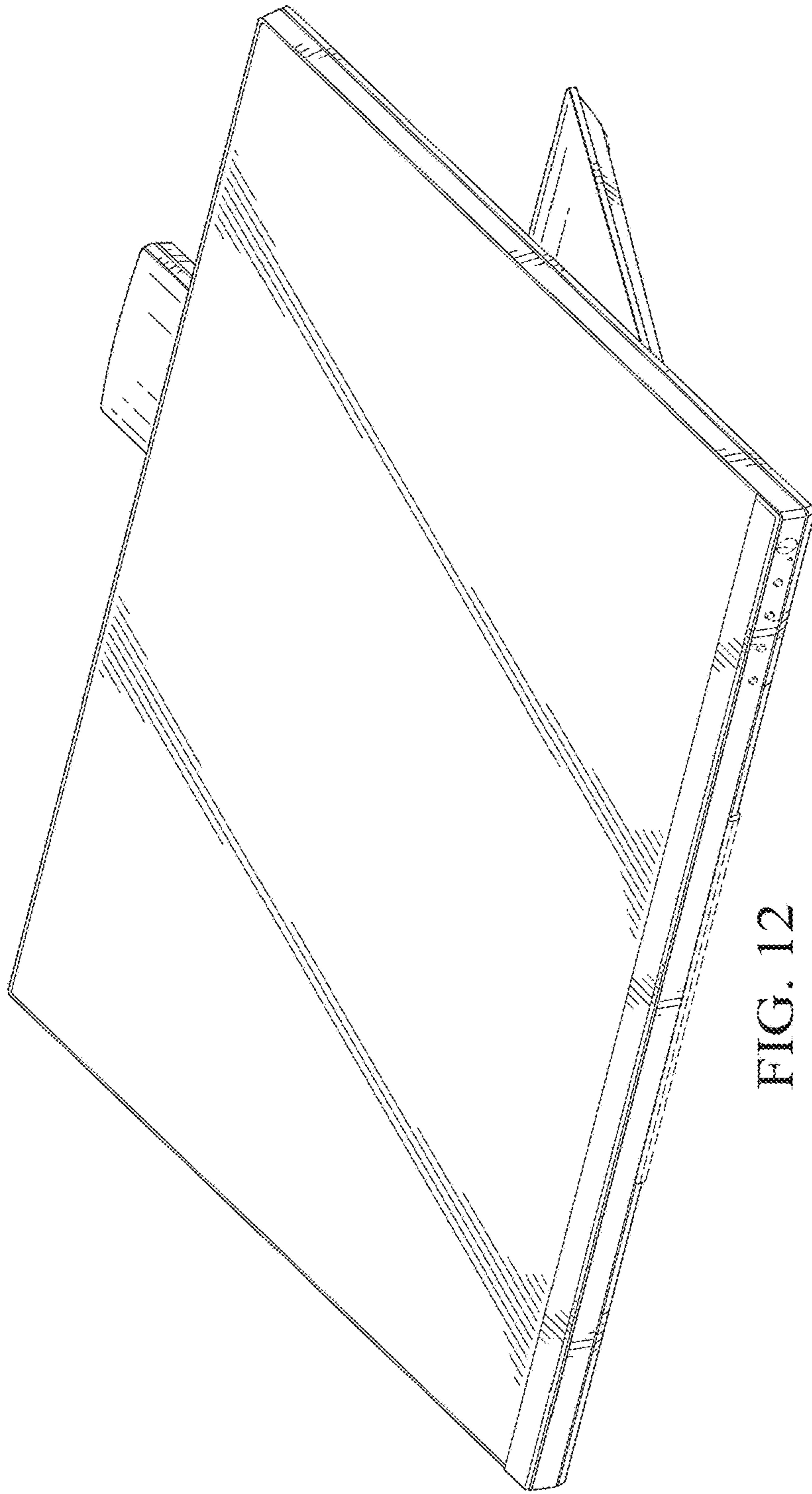


FIG. 12

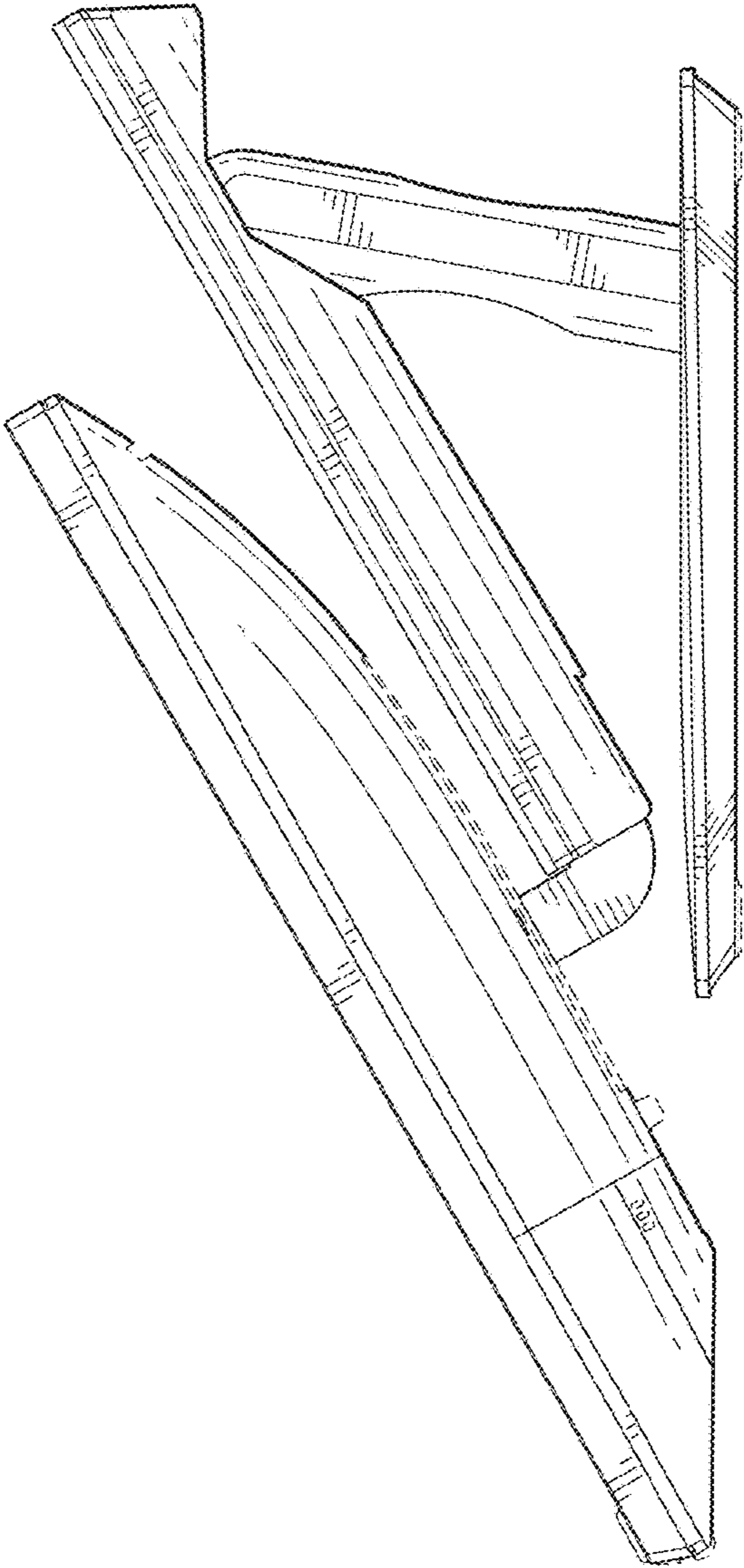


FIG. 13

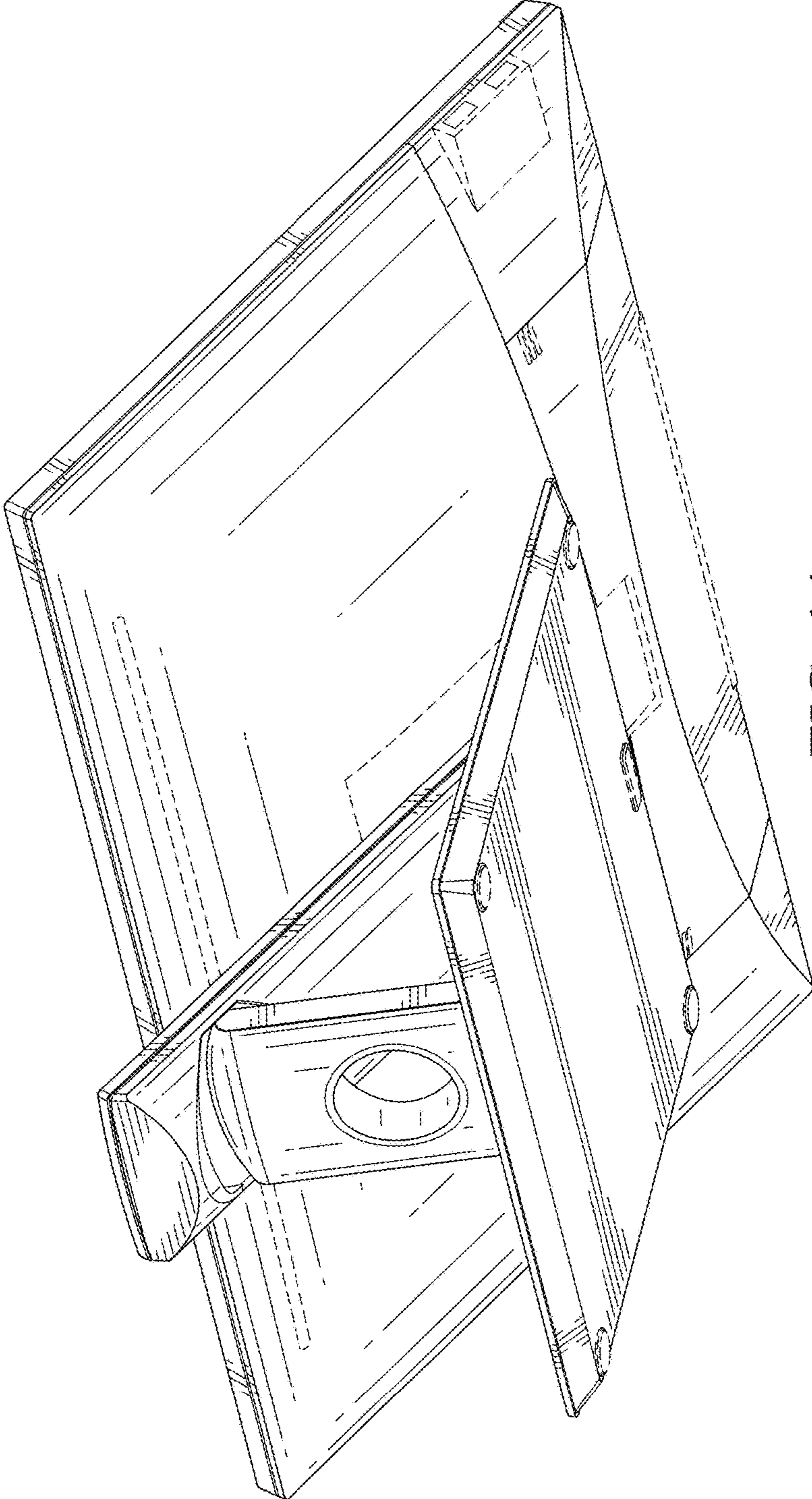


FIG. 14

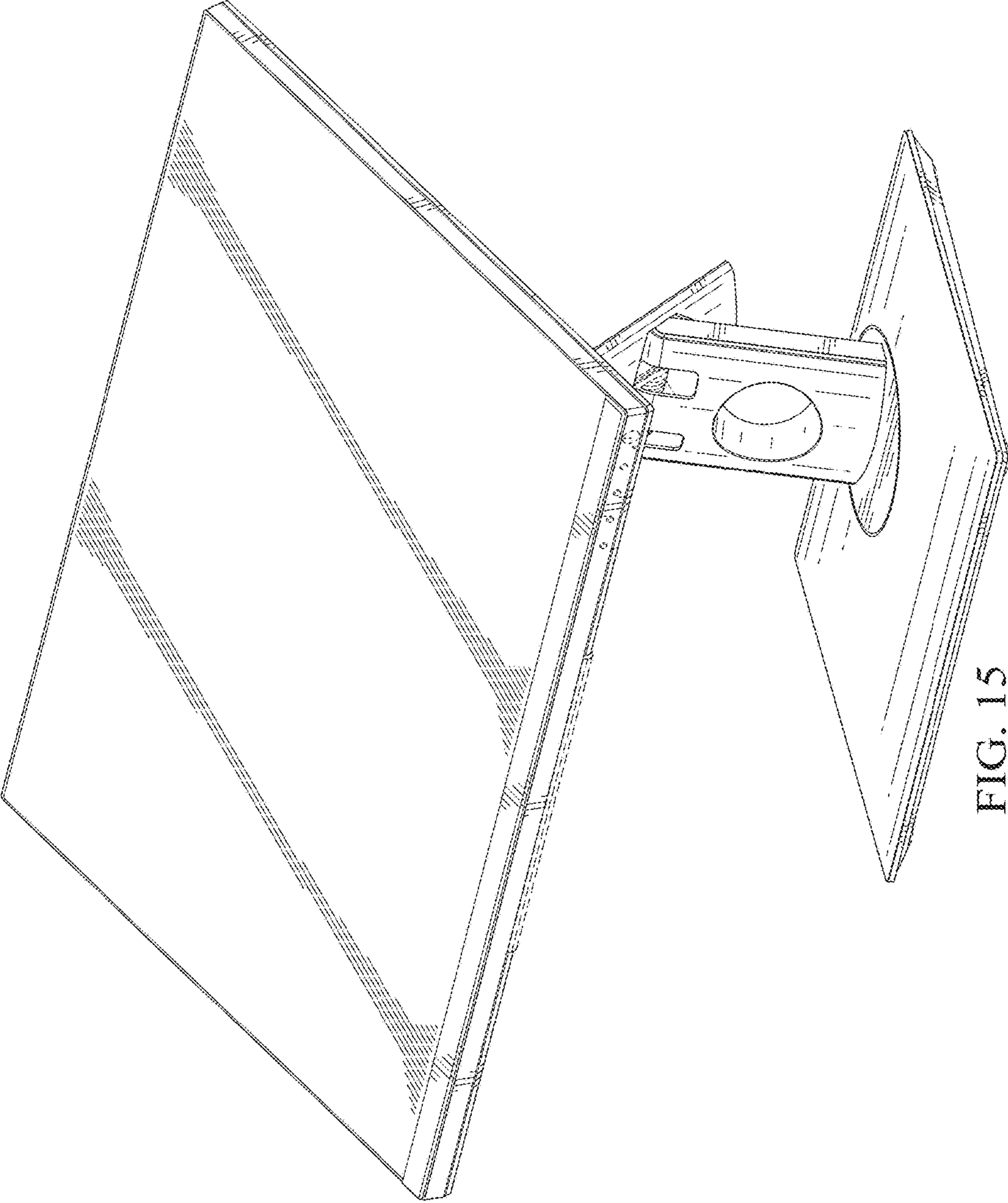


FIG. 15



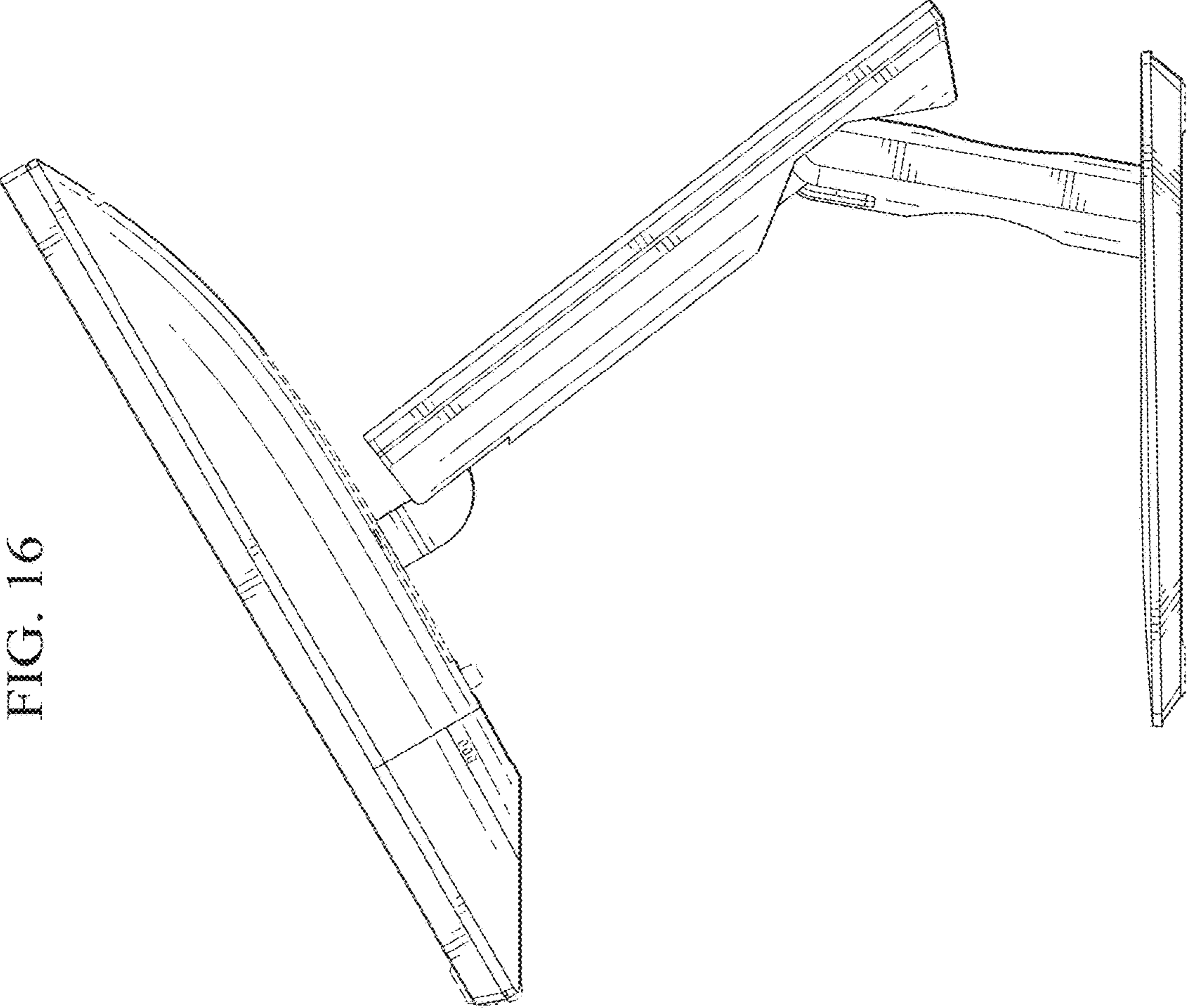


FIG. 16

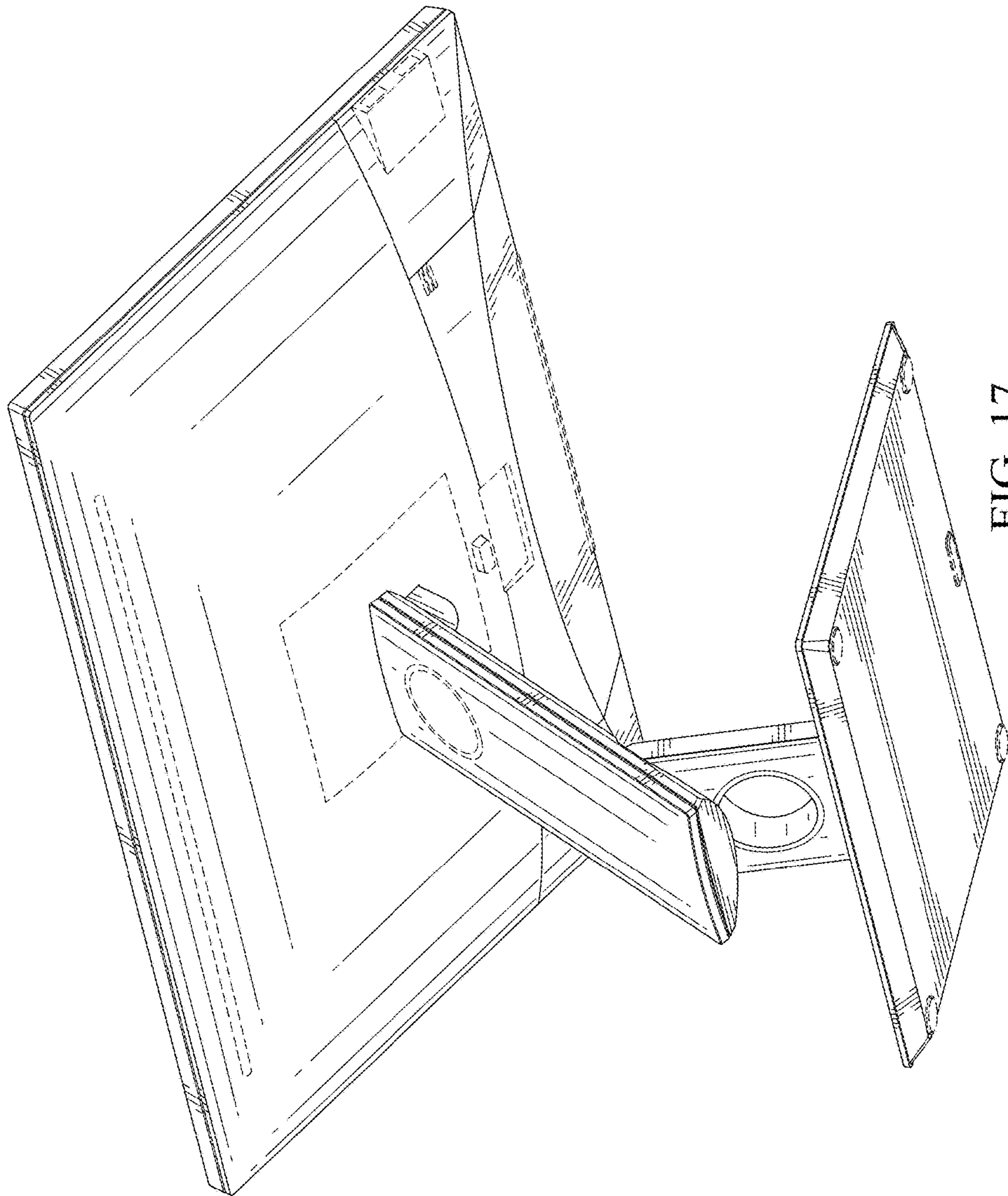


FIG. 17