



US00D855609S

(12) **United States Design Patent**
Jeong et al.

(10) **Patent No.:** **US D855,609 S**
(45) **Date of Patent:** **** Aug. 6, 2019**

(54) **COVER FOR PORTABLE DEVICE**

(71) Applicant: **Samsung Electronics Co., Ltd.**,
Suwon-si (KR)

(72) Inventors: **Woohyeok Jeong**, Seoul (KR);
Kukhwan Kim, Seoul (KR); **Yamauchi Kenji**, Seoul (KR); **Youngsang Jang**, Anyang-si (KR); **Taejoong Kim**, Goyang-si (KR)

(73) Assignee: **Samsung Electronics Co., Ltd.**,
Suwon-si (KR)

(**) Term: **15 Years**

(21) Appl. No.: **29/608,916**

(22) Filed: **Jun. 27, 2017**

(30) **Foreign Application Priority Data**

Mar. 3, 2017 (KR) 30-2017-0010077

(51) **LOC (12) Cl.** **14-03**

(52) **U.S. Cl.**
USPC **D14/250; D14/223**

(58) **Field of Classification Search**

USPC D3/201, 218, 226, 227, 247, 249, 250,
D3/269, 303; D13/103, 107, 108, 119;
D14/137, 138 R, 138 AA, 138 C, 138 G,
D14/172, 192, 203.3–203.7, 217, 238.1,
D14/247, 248, 250–253, 440, 447
CPC H04B 1/3888; H04M 1/0283; H04M
1/0202; A45C 1/06; A45C 2011/002;
A45C 11/00; A45F 2005/028; A45F
2200/0525

See application file for complete search history.

(56) **References Cited**

U.S. PATENT DOCUMENTS

D604,501 S * 11/2009 Lee D3/201
D620,781 S * 8/2010 Weckworth D8/356

D651,791 S * 1/2012 Cataldo D3/218
D667,823 S * 9/2012 Merenda D14/250
D682,550 S * 5/2013 Chun D3/294
D685,771 S * 7/2013 Bertenthal D14/223
D691,636 S * 10/2013 Bunton D14/496
D704,073 S * 5/2014 Akana D9/721

(Continued)

OTHER PUBLICATIONS

The Turtlecell iPhone Case Ensures you never Lose your Head-
phone, posting date Jul. 7, 2013, [online][site visited Mar. 6,
2019]<URL: [https://www.trendhunter.com/trends/turtlecell-iphone-
case](https://www.trendhunter.com/trends/turtlecell-iphone-case)> (Year: 2013).*

(Continued)

Primary Examiner — Susan E Krakower

Assistant Examiner — L. A. Grabenstetter

(74) *Attorney, Agent, or Firm* — NSIP Law

(57) **CLAIM**

We claim the ornamental design for a cover for portable
device, as shown and described.

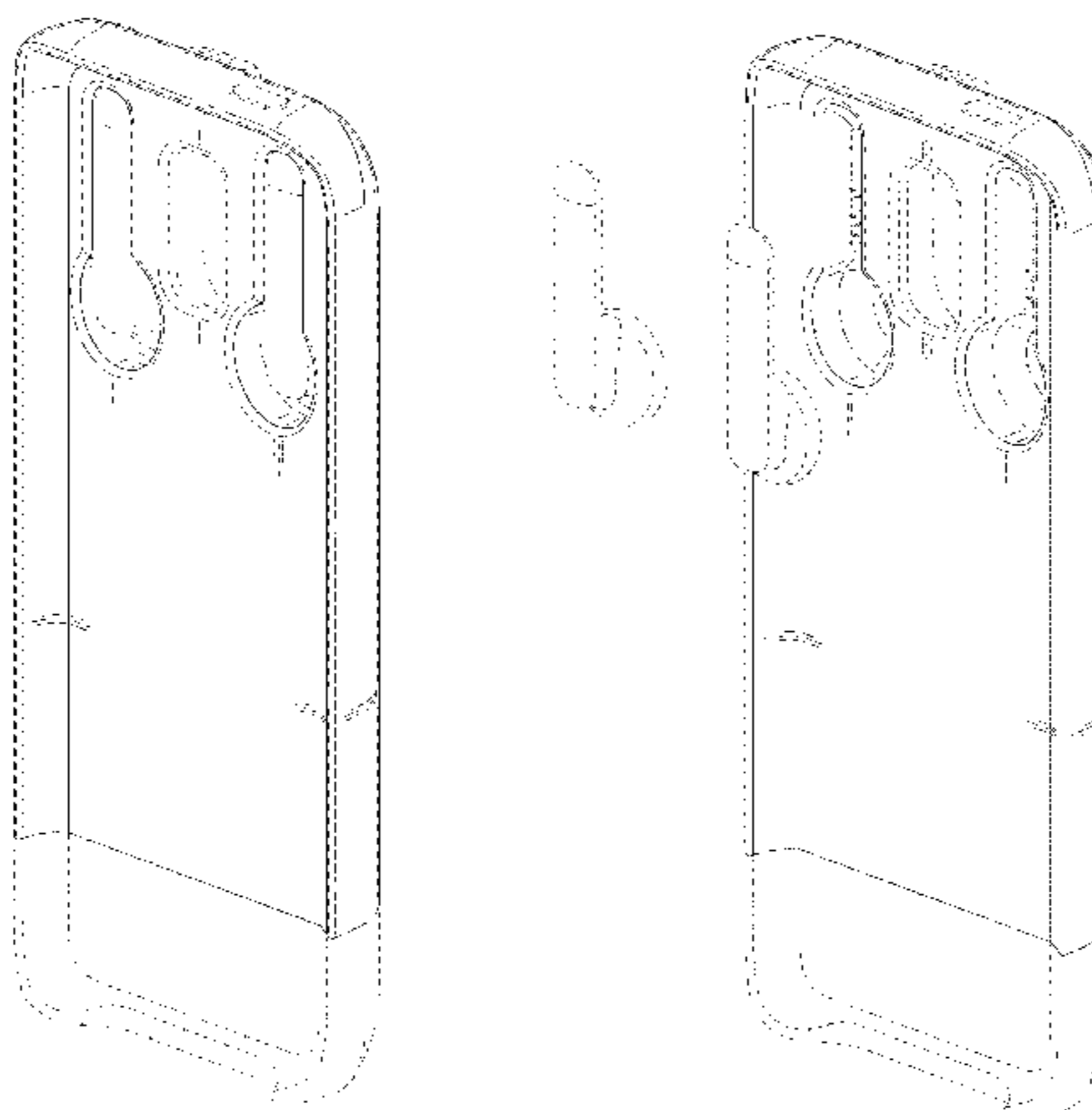
DESCRIPTION

FIG. 1 is a front perspective view of a cover for portable
device showing our new design;
FIG. 2 is a front elevational view thereof;
FIG. 3 is a rear elevational view thereof;
FIG. 4 is a left-side elevational view thereof;
FIG. 5 is a right-side elevational view thereof;
FIG. 6 is a top plan view thereof;
FIG. 7 is a bottom plan view thereof; and,
FIG. 8 is another front perspective view thereof shown in an
example environment.

The broken lines in the figures depict environmental subject
matter and form no part of the claimed design.

The dot-dash broken lines in the figures represent an
unclaimed boundary line and form no part of the claimed
design.

1 Claim, 6 Drawing Sheets



(56)

References Cited

U.S. PATENT DOCUMENTS

D720,330 S * 12/2014 Stevinson D14/205
D720,718 S * 1/2015 Stevinson D14/205
D722,264 S * 2/2015 Saideh D9/418
D735,706 S * 8/2015 Stevinson D14/250
D735,991 S * 8/2015 Brennan D3/218
D744,855 S * 12/2015 Akana D9/432
9,369,168 B2 * 6/2016 Molnar H04B 1/3888
D765,069 S * 8/2016 Jeffrey D14/250
2003/0157973 A1 * 8/2003 Yang H04M 1/04
455/569.1
2011/0170732 A1 * 7/2011 Parker H04R 1/1033
381/384
2014/0079237 A1 * 3/2014 Cataldo H04R 1/1033
381/74
2014/0105441 A1 * 4/2014 Kroupa B65H 75/4434
381/370

OTHER PUBLICATIONS

Earbud Phone Case by Sound Pockets, posting date Jul. 11, 2013,
[online][site visited Mar. 6, 2019]<URL: <http://blog.mobilemars.com/2013/06/earbud-phone-case-by-sound-pockets/>> (Year: 2013).*

* cited by examiner

FIG. 1

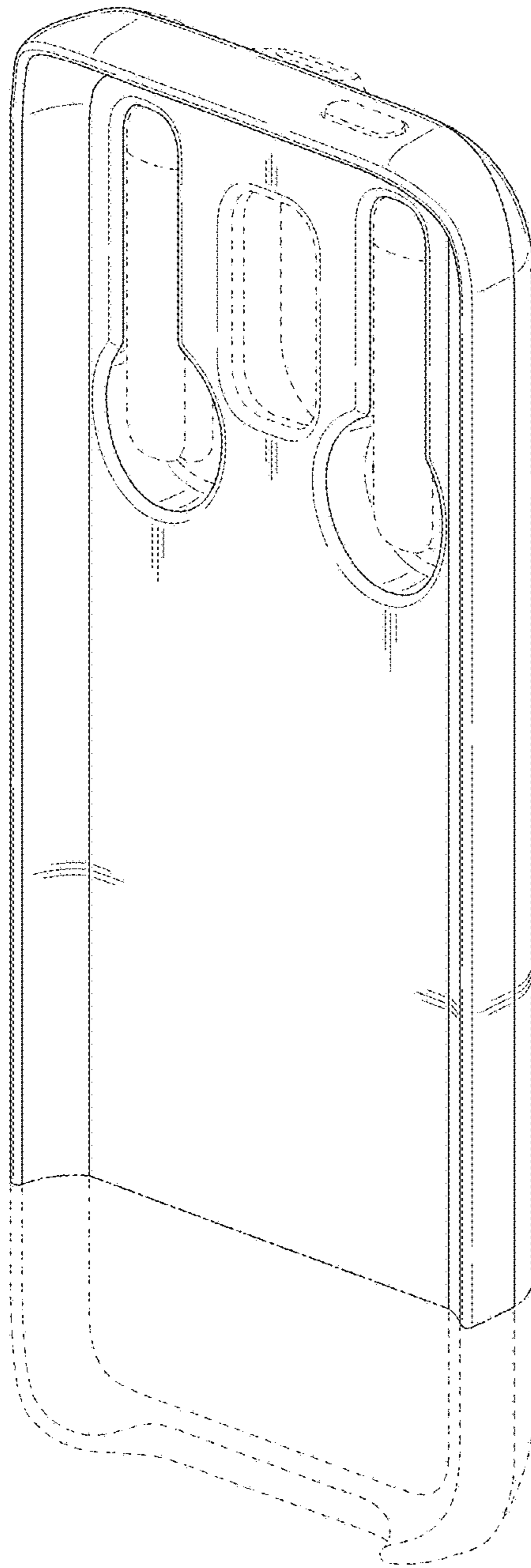


FIG. 2

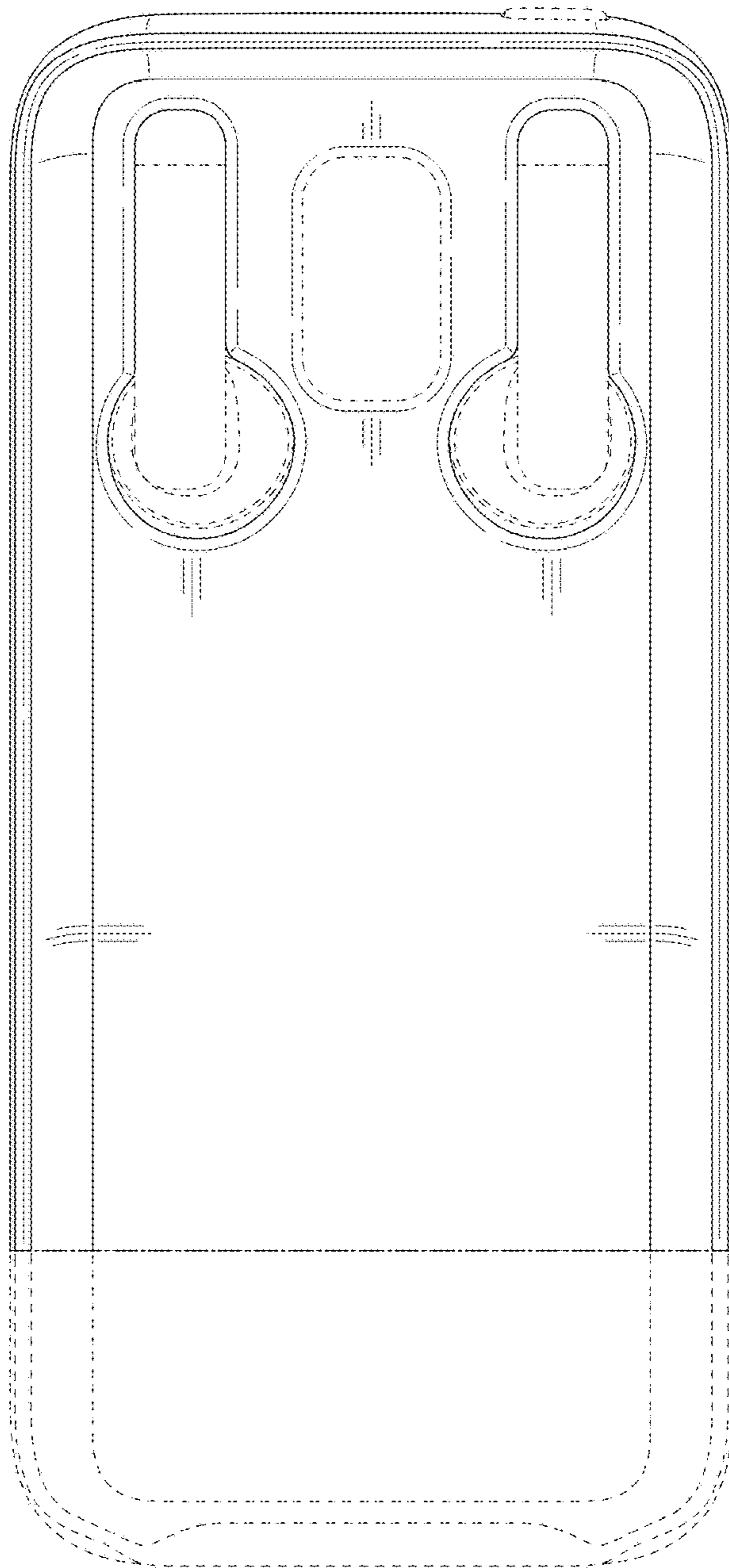


FIG. 3

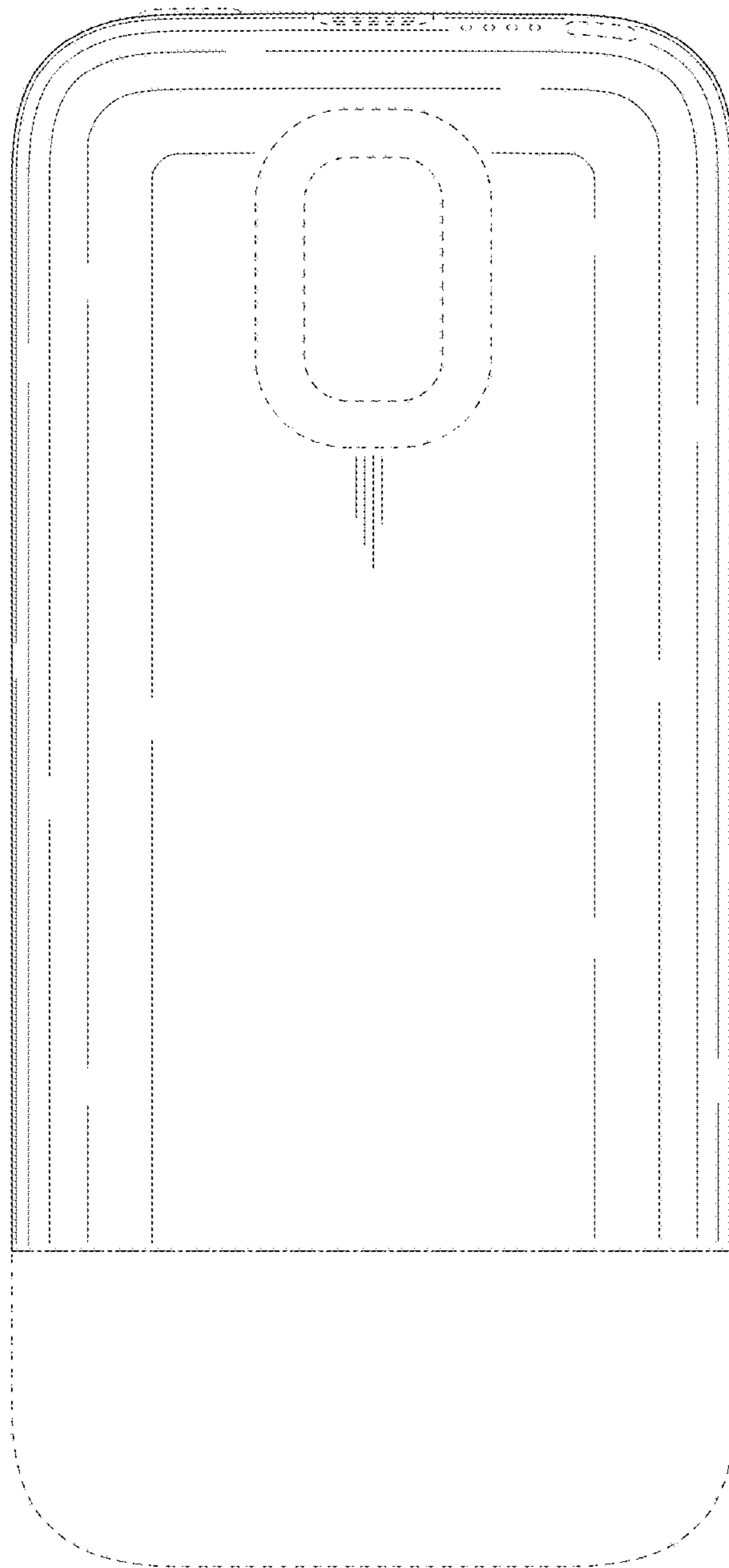


FIG. 4

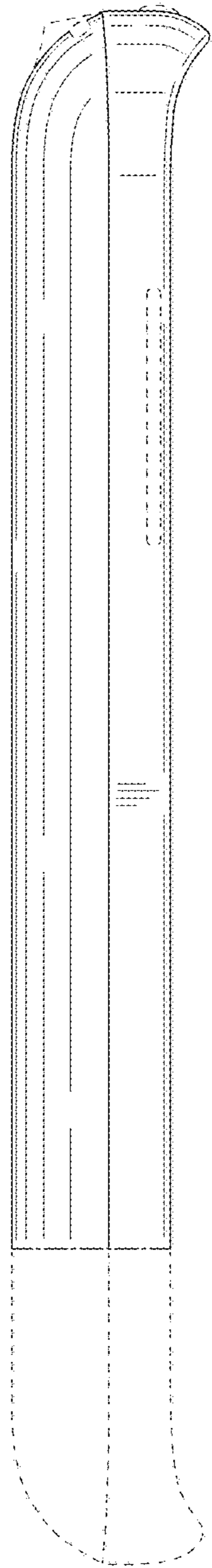


FIG. 5

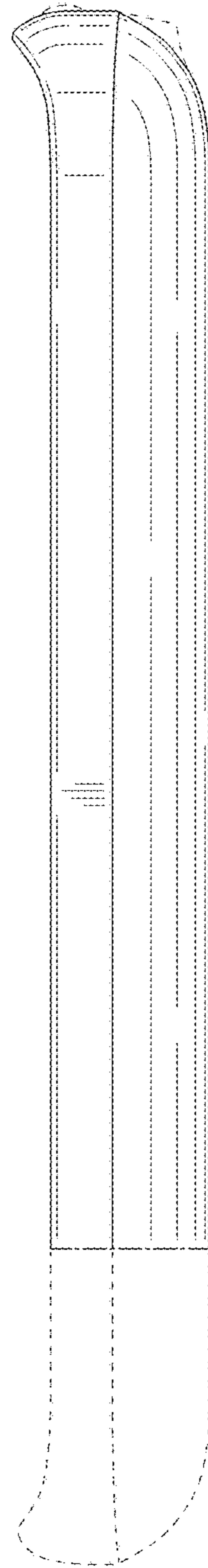


FIG. 6

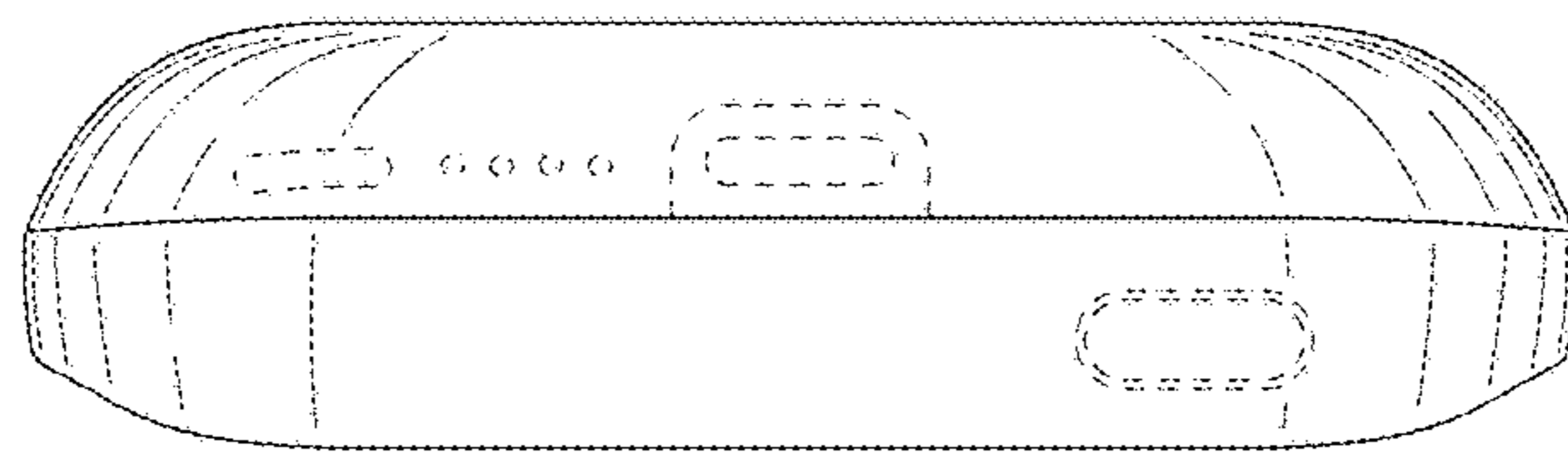


FIG. 7

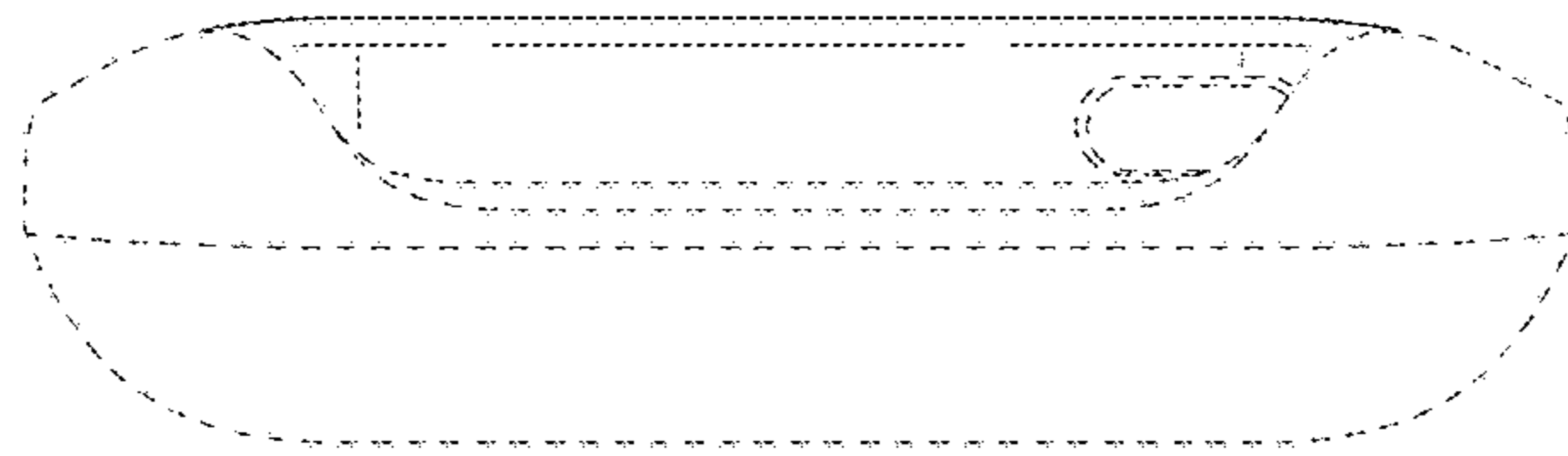


FIG. 8

