



US00D855607S

(12) **United States Design Patent** (10) **Patent No.:** **US D855,607 S**
Altschul et al. (45) **Date of Patent:** **** *Aug. 6, 2019**

(54) **POCKET CASE FOR MOBILE COMMUNICATIONS DEVICES WITH CARRYING COMPARTMENT FOR CREDIT CARD SIZED ITEMS**

Available from Internet, <URL:https://www.amazon.com/iPhone-SE-Wallet-Case-Protective/dp/B009OWOFOM/ref=cm_cr_arp_d_product_top?ie=UTF8&th=1>.*

(71) Applicants: **Matthew Altschul**, Austin, TX (US);
Michael Martin, Portland, OR (US);
Beejan Soheili, Chula Vista, CA (US)

Primary Examiner — Cathron C Brooks
Assistant Examiner — Aula Soroush
(74) *Attorney, Agent, or Firm* — Scheinberg & Associates, P.C.; John B. Kelly; Michael O. Scheinberg

(72) Inventors: **Matthew Altschul**, Austin, TX (US);
Michael Martin, Portland, OR (US);
Beejan Soheili, Chula Vista, CA (US)

(57) **CLAIM**
We claim the ornamental design for a pocket case for mobile communications devices with carrying compartment for credit card sized items, as shown and described.

(*) Notice: This patent is subject to a terminal disclaimer.

DESCRIPTION

(**) Term: **15 Years**

FIG. 1 is a back plan view of a pocket case for mobile communications devices with carrying compartment for credit card sized items.

(21) Appl. No.: **29/574,846**

FIG. 2 is a front plan view thereof.

(22) Filed: **Aug. 18, 2016**

FIG. 3 is a back perspective view thereof.

(51) **LOC (12) Cl.** **14-03**

FIG. 4 is a back perspective view thereof, the side being the side opposite of the side shown in FIG. 3.

(52) **U.S. Cl.**

FIG. 5 is a back perspective view thereof.

USPC **D14/250**

FIG. 6 is a back perspective view thereof, the side being the side opposite of the side shown in FIG. 5.

(58) **Field of Classification Search**

USPC D14/143, 189, 203.2–203.7, 217, 238.1,
D14/240, 248, 250–253, 440, 447, 496;

FIG. 7 is a side elevation view thereof.

(Continued)

FIG. 8 is side elevation view thereof, the side being the side opposite of the side shown in FIG. 7.

(56) **References Cited**

FIG. 9 is a bottom elevation view thereof; and,

U.S. PATENT DOCUMENTS

FIG. 10 is a top elevation view thereof.

D410,769 S * 6/1999 Dorizas D3/201
D589,699 S * 4/2009 Silvera D3/218
D590,151 S * 4/2009 Karobkina D3/247
D637,591 S * 5/2011 Willes D14/250
8,504,127 B2 * 8/2013 Altschul H04M 1/0283
206/216

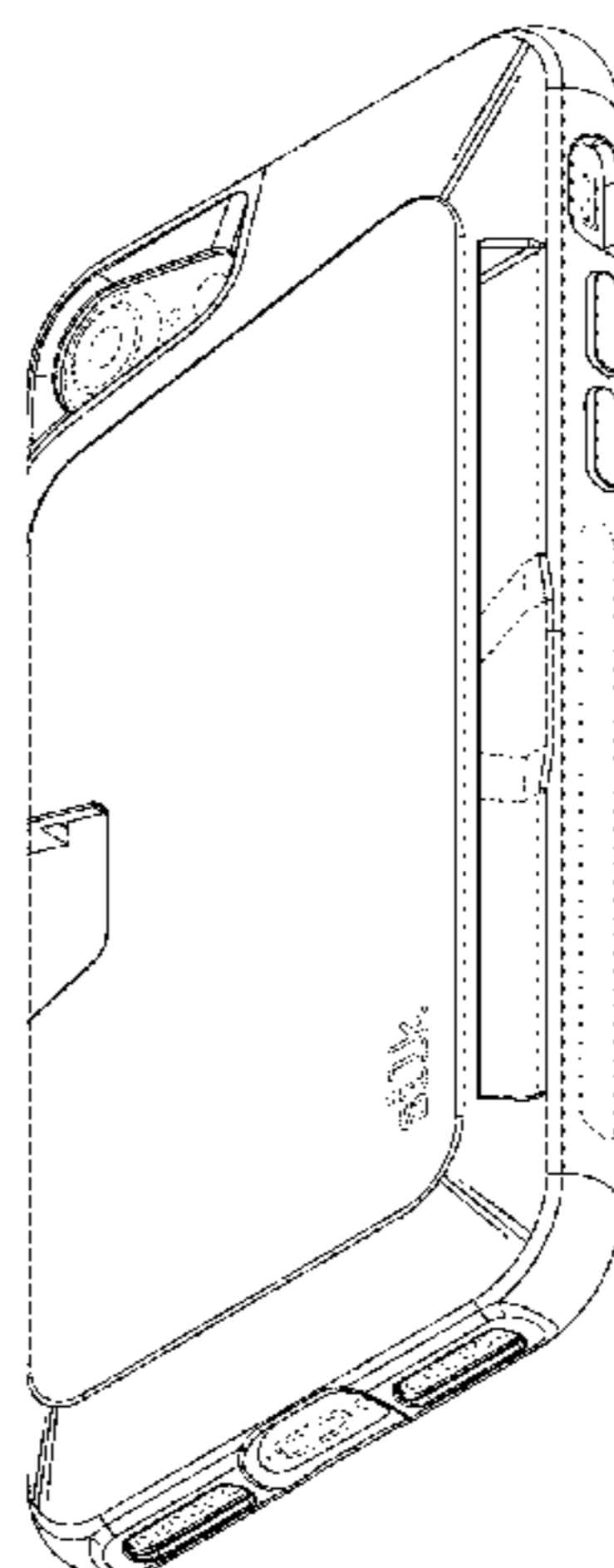
The broken lines in the drawings form no part of the claimed design. The broken lines are shown to define the boundaries of the claimed design and to disclose the environment related to the claimed design. The broken lines forming the word “silk” in the back views of FIGS. 1 and 3-6 define boundaries of the claimed design and form no part of the claimed design. The broken lines forming elongated ovals in the side views of FIGS. 3-8 define boundaries of the claimed design and form no part of the claimed design. The broken lines inside the pocket area of the back views of FIGS. 3 and 6 define boundaries of the claimed design and form no part of the claimed design. The remaining broken lines disclose the environment related to the claimed design, specifically elements of a mobile communications device disposed

D694,009 S * 11/2013 D’Amore D3/249
(Continued)

OTHER PUBLICATIONS

iPhone SE/5s/5 Wallet Case, posted at amazon.com, earliest date reviewed Dec. 2, 2012, [online], acquired on Sep. 13, 2017.

(Continued)



within the claimed design of a pocket case for a mobile communications device, and form no part of the claimed design.

1 Claim, 8 Drawing Sheets

(58) **Field of Classification Search**

USPC D3/201, 218, 247-251, 269, 273, 301, D3/303; D13/103, 107-108, 119

CPC A45C 1/06; A45C 11/00; A45C 13/02; A45C 2011/002; A45F 2005/026; A45F 2200/0525; A45F 2200/0516; H04B 1/3888; H04M 1/0283; H04M 1/0202

See application file for complete search history.

(56)

References Cited

U.S. PATENT DOCUMENTS

D697,716	S	*	1/2014	Owen	D3/303
D706,536	S	*	6/2014	Nikosey	D3/247
D707,965	S	*	7/2014	Requa	D3/247
D714,058	S	*	9/2014	Owen	D3/247
D719,950	S	*	12/2014	Smith	D14/250
D721,689	S	*	1/2015	Altschul	H04M 1/0283 D14/250
D726,171	S	*	4/2015	Edwards	D14/250
D759,966	S	*	6/2016	Pignotti	D3/247
D772,212	S	*	11/2016	Daniel	D14/250
D793,379	S	*	8/2017	Zhang	D14/250
2012/0067751	A1	*	3/2012	Mongan	A45C 11/00 206/216

* cited by examiner

FIG. 1

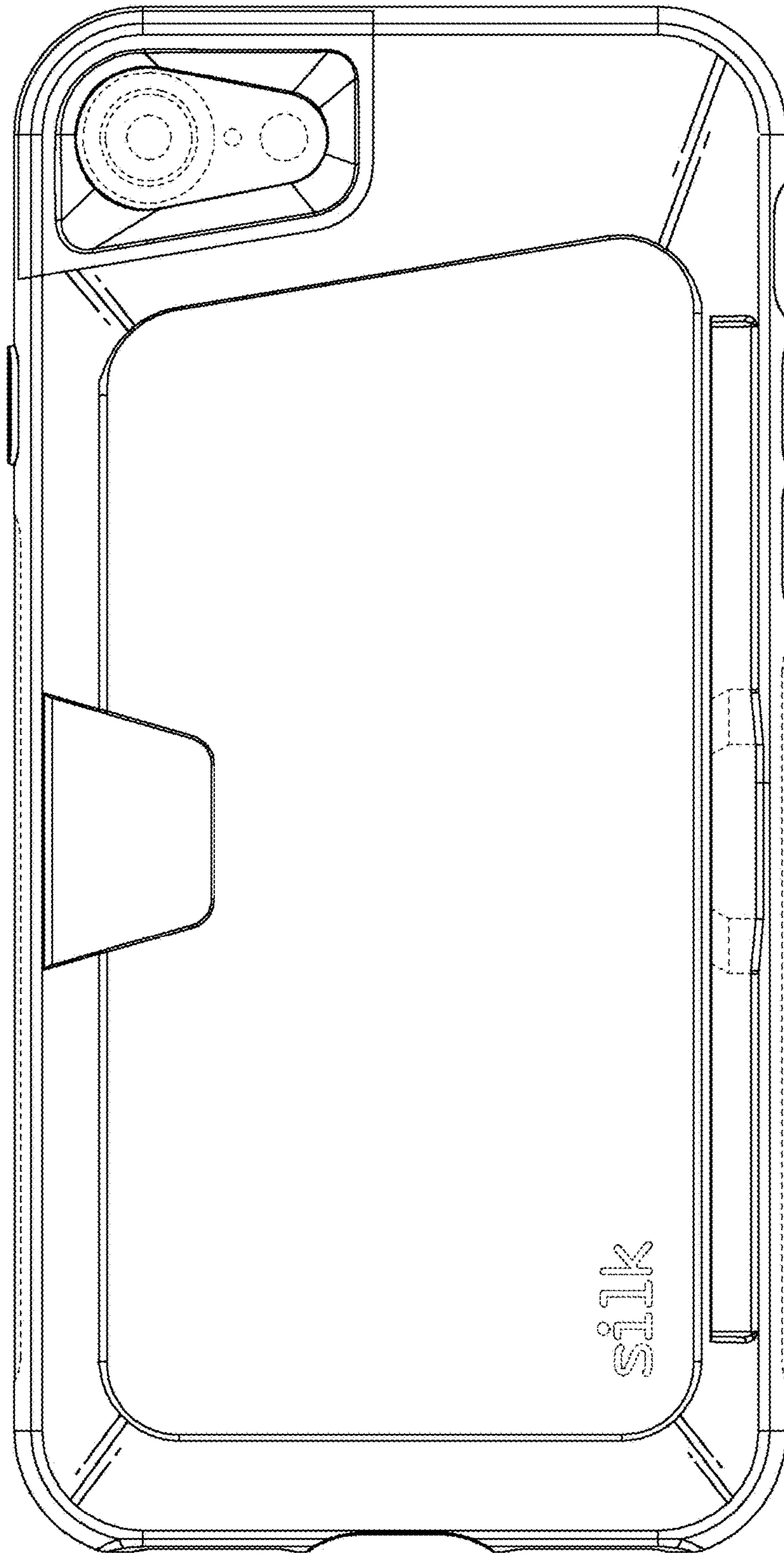


FIG. 2

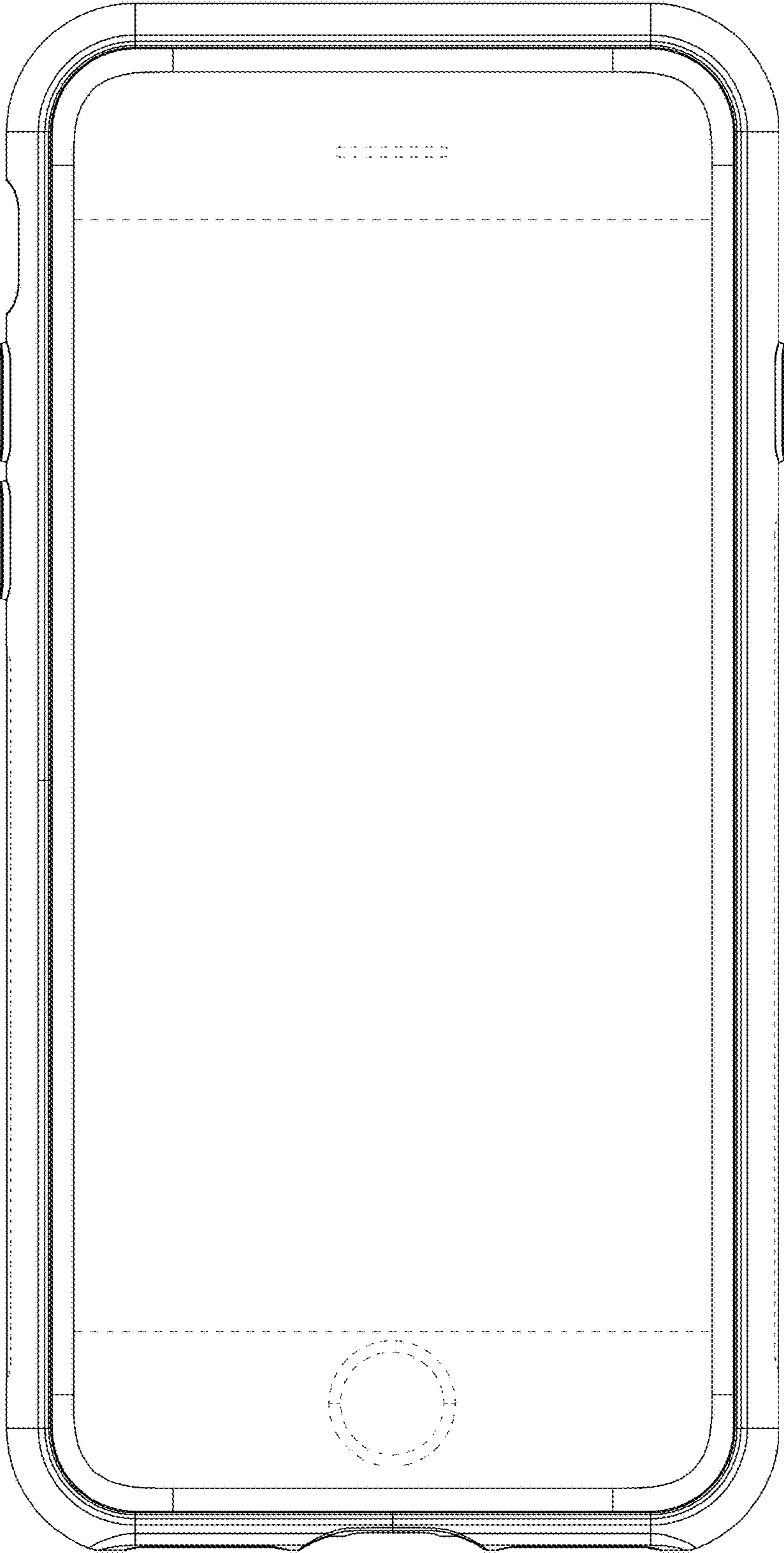


FIG. 3

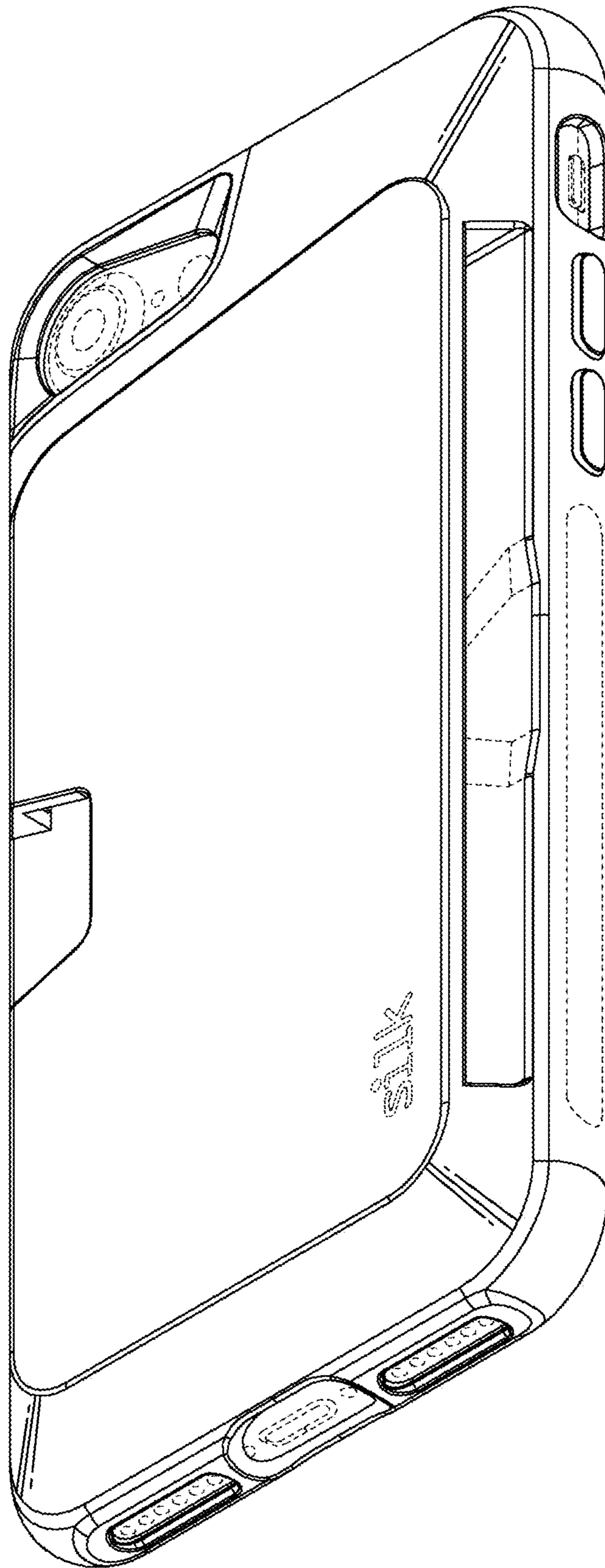


FIG. 4

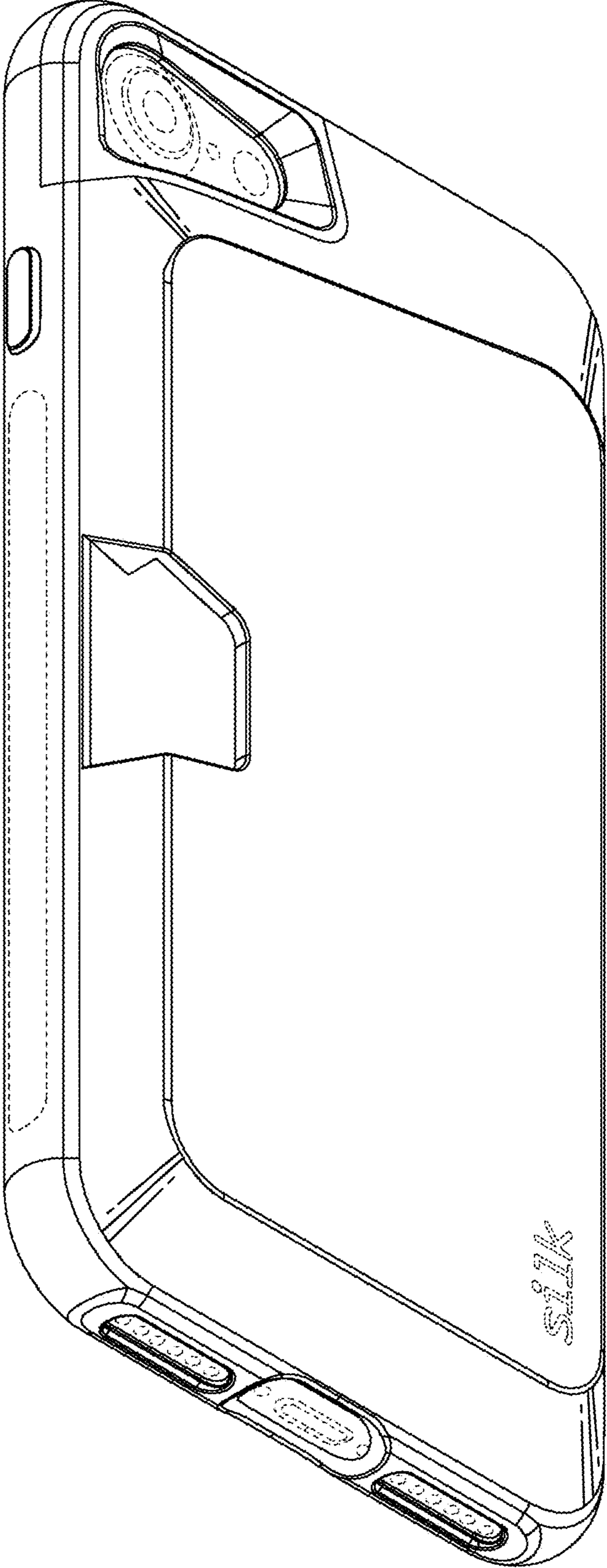


FIG. 5

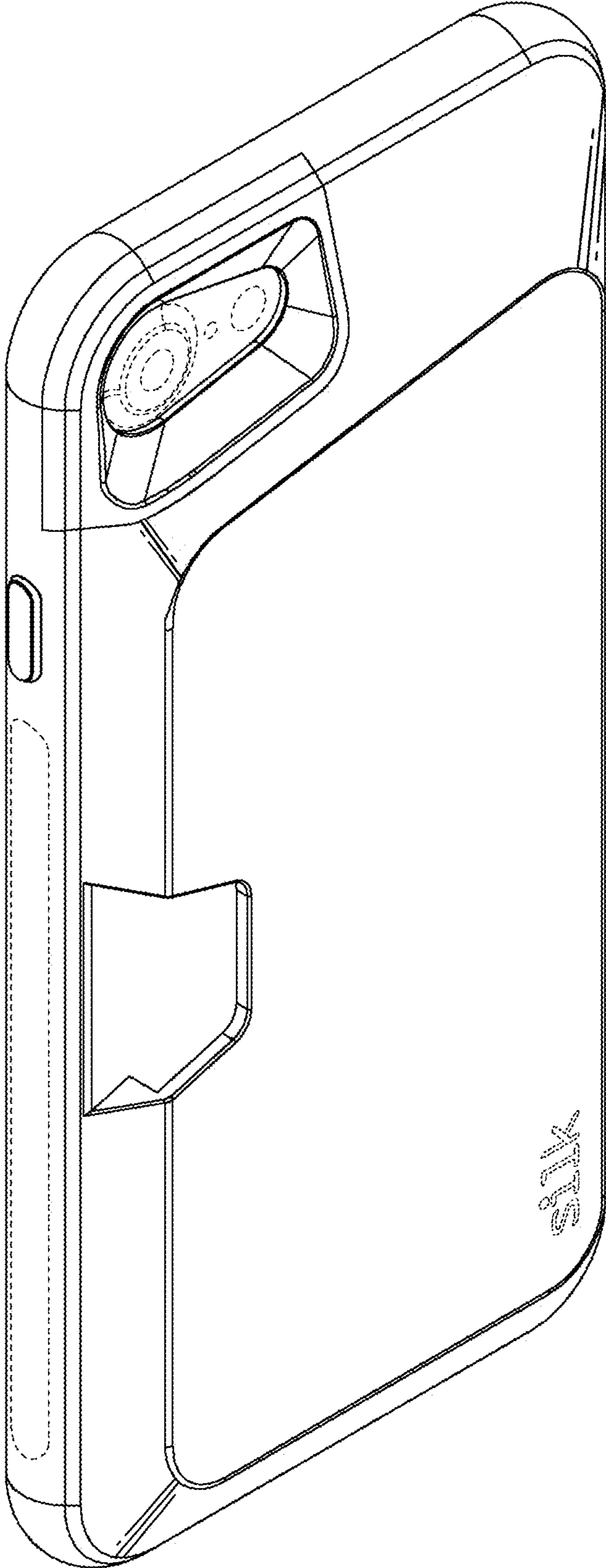


FIG. 6

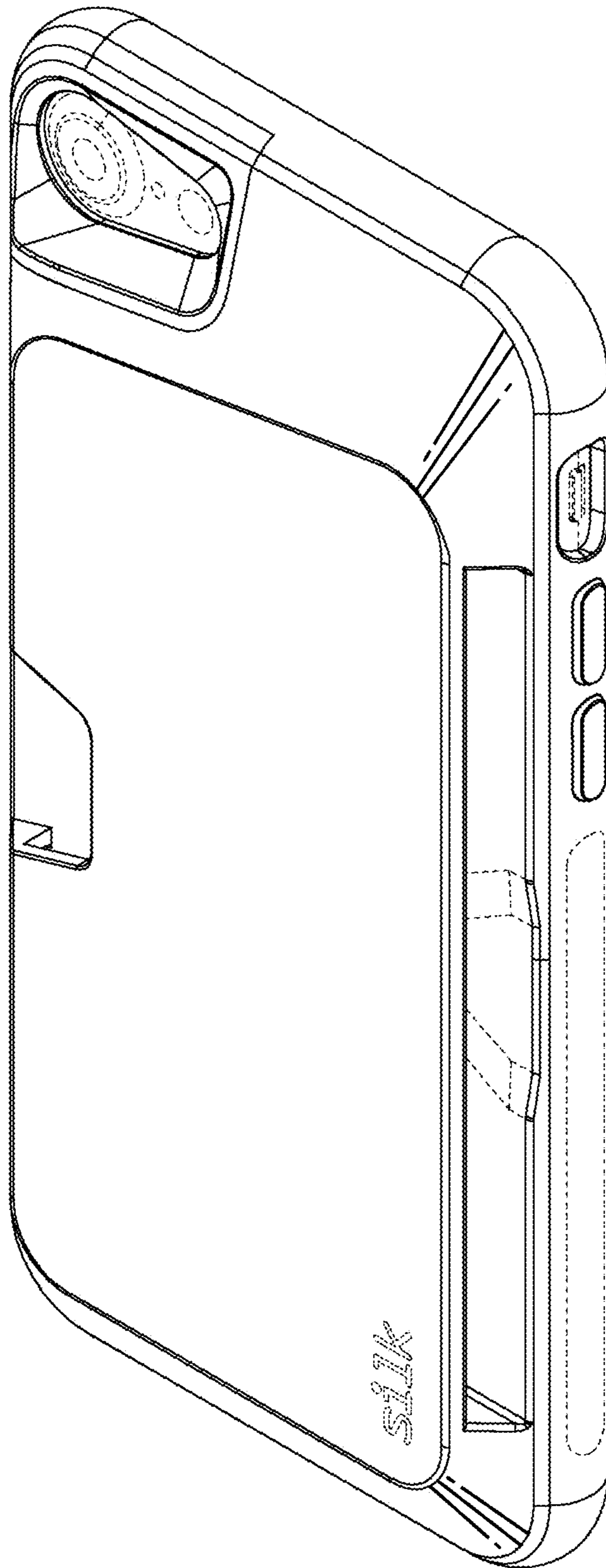


FIG. 7

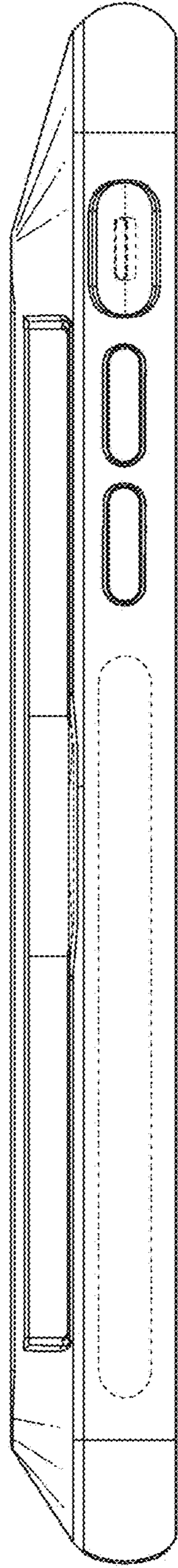


FIG. 8

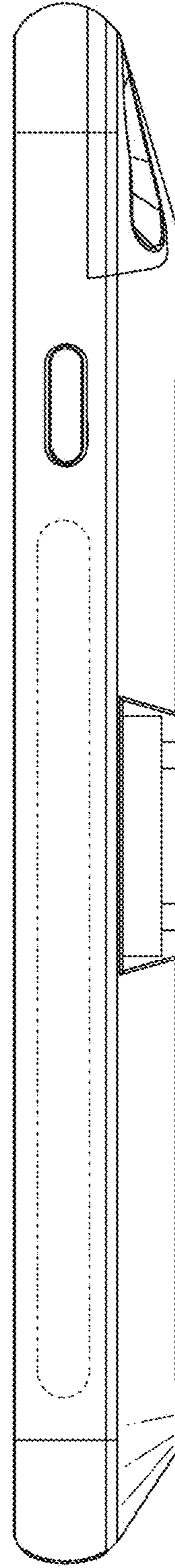


FIG. 9

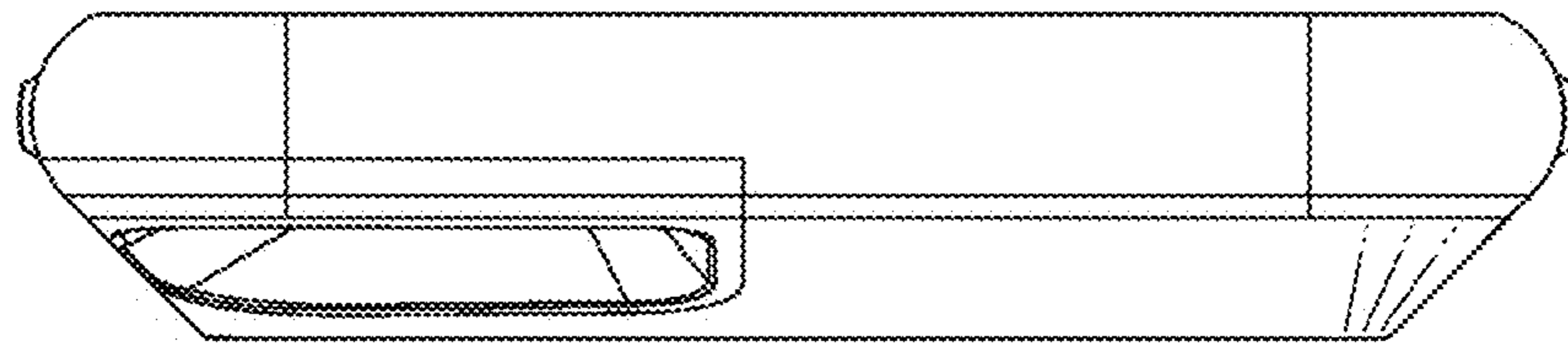
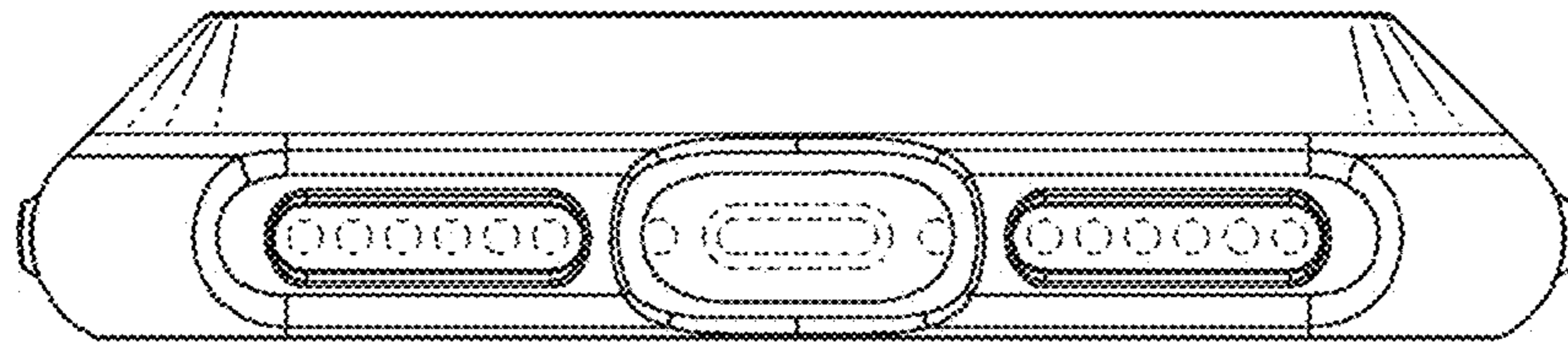


FIG. 10