



(12) **United States Design Patent** (10) **Patent No.:** **US D855,605 S**
Kim (45) **Date of Patent:** **** *Aug. 6, 2019**

(54) **SUPPORT LEG FOR ELECTRONIC DEVICE CASE OR ELECTRONIC DEVICE**

(71) Applicant: **SPIGEN KOREA CO., LTD.**, Seoul (KR)

(72) Inventor: **Dae-Young Kim**, Seoul (KR)

(73) Assignee: **SPIGEN KOREA CO., LTD.**, Seoul (KR)

(*) Notice: This patent is subject to a terminal disclaimer.

(**) Term: **15 Years**

(21) Appl. No.: **29/570,575**

(22) Filed: **Jul. 8, 2016**

Related U.S. Application Data

(63) Continuation-in-part of application No. 29/561,293, filed on Apr. 14, 2016, and a continuation-in-part of application No. 29/561,296, filed on Apr. 14, 2016.

(51) **LOC (12) Cl.** **14-03**

(52) **U.S. Cl.**
USPC **D14/250**

(58) **Field of Classification Search**
USPC D3/201, 218, 226, 227, 247, 249, 250, D3/269, 303; D13/103, 107, 108, 119;
(Continued)

(56) **References Cited**

U.S. PATENT DOCUMENTS

2,425,945 A * 8/1947 Leach A61B 13/00
426/134
2,857,908 A * 10/1958 Cornfield A61B 13/00
426/134

(Continued)

FOREIGN PATENT DOCUMENTS

KR 10-2012-0094878 8/2012

OTHER PUBLICATIONS

“iPhone 6S Plus Case, OBLIQ [Naked Shield][Clear][Metal Kickstand] Thin Slim Fit Crystal Clear Case + TPU Bumper Armor

Protection Hybrid case for Apple iPhone 6S Plus (2015) & iPhone 6 Plus(2014)”, https://www.amazon.com/PhoneShield-KickstandCrystalProtection/dp/B014QDKKMY/ref=sr_1_2?ie=UTF8&qid=1473199610&sr=82&keywords=obliq+iph..., Downloaded Sep. 7, 2016, 9 Pages.

(Continued)

Primary Examiner — Susan E Krakower
Assistant Examiner — L. A. Grabenstetter
 (74) *Attorney, Agent, or Firm* — Heedong Chae; Lucem, PC

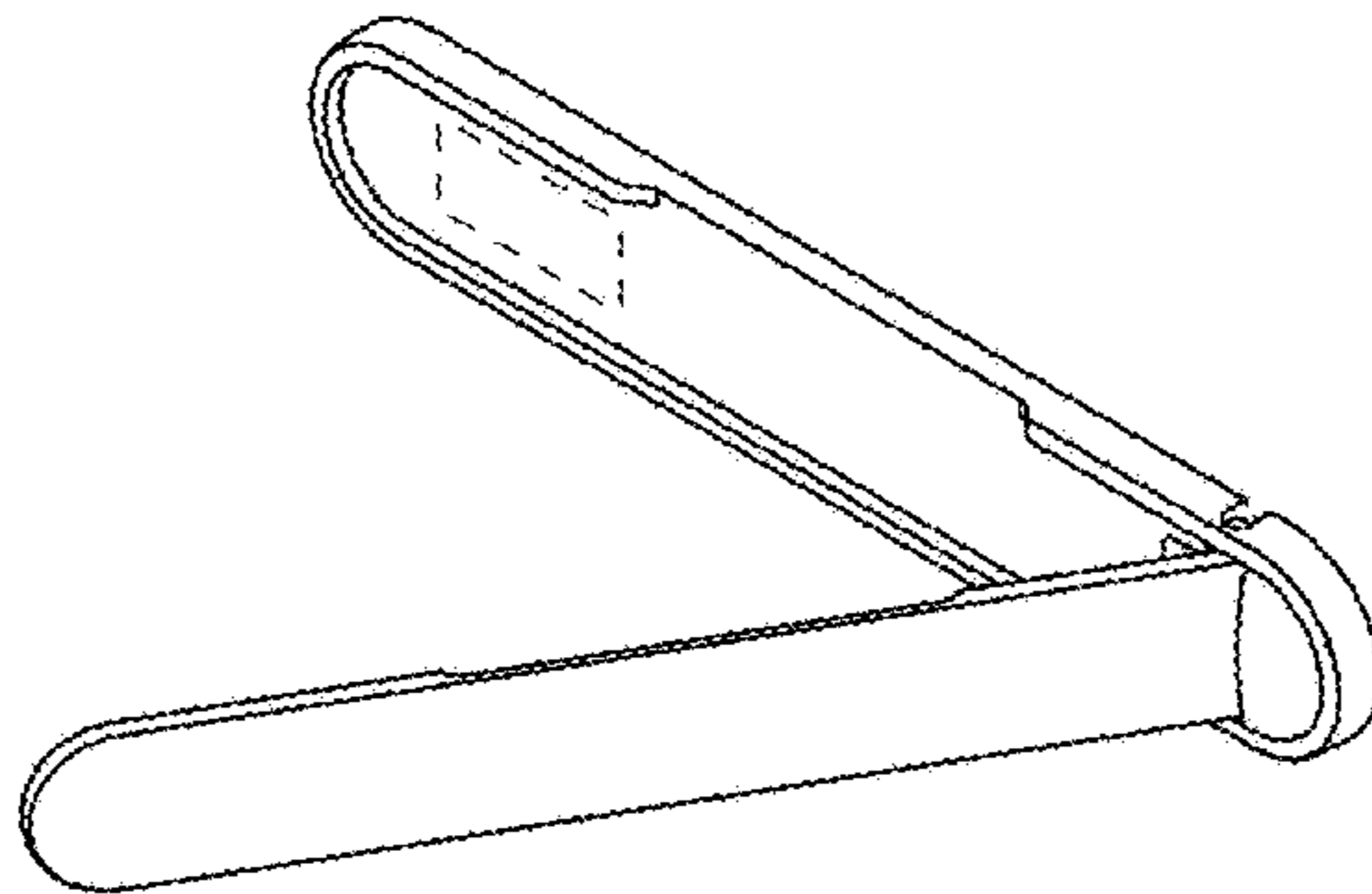
(57) **CLAIM**

The ornamental design for a support leg for electronic device case or electronic device, as shown and described.

DESCRIPTION

FIG. 1 is a perspective view of a support leg for electronic device case or electronic device in an open position showing my new design;
 FIG. 2 is another perspective view thereof;
 FIG. 3 is a front view thereof;
 FIG. 4 is a rear view thereof;
 FIG. 5 is a left side view thereof;
 FIG. 6 is a right side view thereof;
 FIG. 7 is a top plan view thereof;
 FIG. 8 is a bottom plan view thereof;
 FIG. 9 is still another perspective view thereof;
 FIG. 10 is a perspective view of the support leg for electronic device case or electronic device in a closed position;
 FIG. 11 is a perspective view of the support leg for electronic device case or electronic device in an open position;
 FIG. 12 is a perspective view of the support leg for electronic device case or electronic device in an open position, shown in an environment of use; and,
 FIG. 13 is a perspective view of the support leg for electronic device case or electronic device in a closed position, shown in an environment of use.
 The broken lines depict portions of the support leg and environmental subject matter which form no part of the claimed design.

1 Claim, 13 Drawing Sheets



- (58) **Field of Classification Search**
 USPC D14/137, 138 R, 138 AA, 138 C, 138 G,
 D14/203.3–203.7, 217, 238.1, 247, 248,
 D14/250–253, 440, 447
 CPC H04B 1/3888; H04M 1/0283; H04M
 1/0202; A45C 1/06; A45C 2011/002;
 A45C 11/00; A45F 2005/028; A45F
 2200/0525
 See application file for complete search history.

(56) **References Cited**

U.S. PATENT DOCUMENTS

D334,828	S *	4/1993	Kiyokane	D1/102
7,301,759	B2	11/2007	Hslung		
D559,230	S	1/2008	Griffin		
D583,572	S	12/2008	Zhai		
D590,386	S	4/2009	Leith		
D644,647	S *	9/2011	Sykes	D14/447
D646,267	S *	10/2011	Salzedo	D14/253
D663,263	S	7/2012	Gupta		
D663,294	S	7/2012	Buxton		
8,243,428	B2	8/2012	Fu		
D669,482	S *	10/2012	Hu	D14/447
D679,271	S	4/2013	Lin		
8,514,568	B2 *	8/2013	Qiao	F16M 11/10 248/917
D690,305	S	9/2013	Wen		
D692,899	S *	11/2013	Bremenkamp	D14/447
D706,254	S	6/2014	Chang		
D706,516	S *	6/2014	Caglia	D1/105
8,897,033	B2 *	11/2014	Slipy	H04M 1/0202 248/70
8,960,630	B2 *	2/2015	Fu	F16M 11/10 248/371
D763,239	S *	8/2016	Chan	D14/250
9,723,735	B1 *	8/2017	Kim	F16M 13/00
2010/0171671	A1 *	7/2010	Park	F16M 11/10 343/720
2011/0164358	A1	7/2011	Duan		
2013/0077211	A1	3/2013	Wang		

OTHER PUBLICATIONS

- “Droid X Car Dock,” <http://phandroid.com/2010/06/23/droidxcardockaccessoriesrevealed/>, Downloaded Oct. 19, 2016, 4Page.
 “Body Glove Snap-On Case for the HTC Thunderbolt Review,” <http://www.androidcentral.com/bodyglovesnapcasehtc-thunderboltreview>, Downloaded Oct. 19, 2016, 10Page.
 “Case for HTC Thunderbolt with Extended Battery: Review of Seidio Active Extended Case,” <http://webpierat.com/2011/06/16/casehtcthunderboltextendedbattery/>, Downloaded Oct. 19, 2016, 5Page.
 “EVO3D Case with Kickstand,” <http://forums.androidcentral.com/htcevo3d/71171evo3dcasekickstand.html>, Downloaded Oct. 19, 2016, 8Page.
 “HTC Desire HD Hard Case with Kickstand,” <http://www.mobilefun.co.ukhtcdeirehdhardcasewithkickstandhck550p27766.htm>, Downloaded Oct. 19, 2016, 3Page.

- “HTC EVO 3D Seidio SURFACE with Kickstand Case Review,” <http://htcpedia.comHTCEvo3DcasereviewSeidioSURFACEwithKickstand/reviews/htcevo3daccessories.html>, Downloaded Oct. 19, 2016, 11Page.
 “HTC EVO 40 Case Review: HTC Hard Shell Case,” <http://www.androidcentral.com/htcevo4gcasereviewhtchardshellcase>, Downloaded Oct. 19, 2016, 13Page.
 “HTC EVO 4G Case Review: Otterbox Defender,” <http://www.androidcentral.com/htcevo4gcasereviewotterboxdefender>, Downloaded Oct. 19, 2016, 16Page.
 “HTC EVO 4G Case Review: Trident cyclops Series,” <http://www.androidcentral.com/htcevo4gcasereviewtridentcyclopsseries>, Downloaded Oct. 19, 2016, 5Page.
 “HTC HD2 Extended Battery,” <http://www.itechnews.net/2010/01/28/htchd2extendedbattery/>, Downloaded May 3, 2016, 2Page.
 “iPod Touch 4 Case With Kickstand,” <http://www.avenueapple.com/ipodtouch4casewithkickstand/>, Downloaded Oct. 19, 2016, 6Page.
 “iPod Touch 4G Case With Chrome Kickstand,” <http://www.avenueapple.com/ipodtouch4gcasewithchromekickstand/>, Downloaded Oct. 19, 2016, 5Page.
 “LG CCH-120 Kick Stand Hard Case—LG Optimus 2X,” <http://mobilefun.co.uklgcch120kickstandhardcaselgoptimus2xp27952.htm>, Downloaded Oct. 19, 2016, 3Page.
 “Video Review: Macally Kickstand for the Iphone 4,” <http://appaddict.net/2010/07/03/videoreviewmacallykickstandfortheiphone4/>, Downloaded Oct. 19, 2016, 4Page.
 “Mugen POWER5400MAH Extended XL Battery Back Door Samsung Galaxy Note White ATT4,” <http://www.ebay.com/itm/MUGENPOWER5400mAhEXTENDEDXLBATTERYBACKDOORSAMSUNGALAXYNOTEWHITEATT/270963466305/>, Downloaded May 3, 2016, 3Page.
 “MYBAT Natural Gray/Black TUFF Hybrid Phone Protector Cover (with Stand),” <https://www.2valor.com/product/productinfo.aspx?pid=73296>, Downloaded Oct. 14, 2016, 2Page.
 “NXE Recline Case for iPhone 4,” <http://thegadgeteer.com/2011/03/14/nxereclinecaseforiphone4/>, Downloaded Oct. 19, 2016, 6Page.
 “NXE Recline iPhone 4 Case with Practical Stand,” <http://gadgets.in.com/nxereclineiphone4casewithpracticalstand.htm>, Downloaded Oct. 19, 2016, 5Page.
 “OtterBox Defender Case for HTC Thunderbolt Smartphone Review,” http://www.legitreviews.com/otterboxdefendercaseforhtcthunderboltsmartphonereview_1648/4, Downloaded Oct. 19, 2016, 5Page.
 “Quick Look: HTC Kickstand Case for HTC Inspire 4G& HTC Desire HD,” <http://htcpedia.com/news/htcdesirehdinspire-4gkickstandcase.html>, Downloaded Oct. 19, 2016, 3Page.
 “Seidio ACTIVE Case(with metal kickstand) for HTC One X,” <https://www.youtube.com/watch?v=W5EGPgGw7Hw>, Downloaded Oct. 14, 2016, 3Page.
 “Seidio SURFACE Case with Kickstand for HTC EVO 3D-1 Pack-Case-Retail Packaging—Black,” <https://amazon.com/SeidioSURFACECaseKickstandHTC/dp/B005EEO4OA>, Downloaded Oct. 19, 2016, 6Page.
 “Trident Case Kracken,” <http://www.tekgoblin.com/2011/09/04/tridentcasekrakenireviewforiphone4/>, Downloaded Oct. 19, 2016, 5Page.

* cited by examiner

FIG. 1

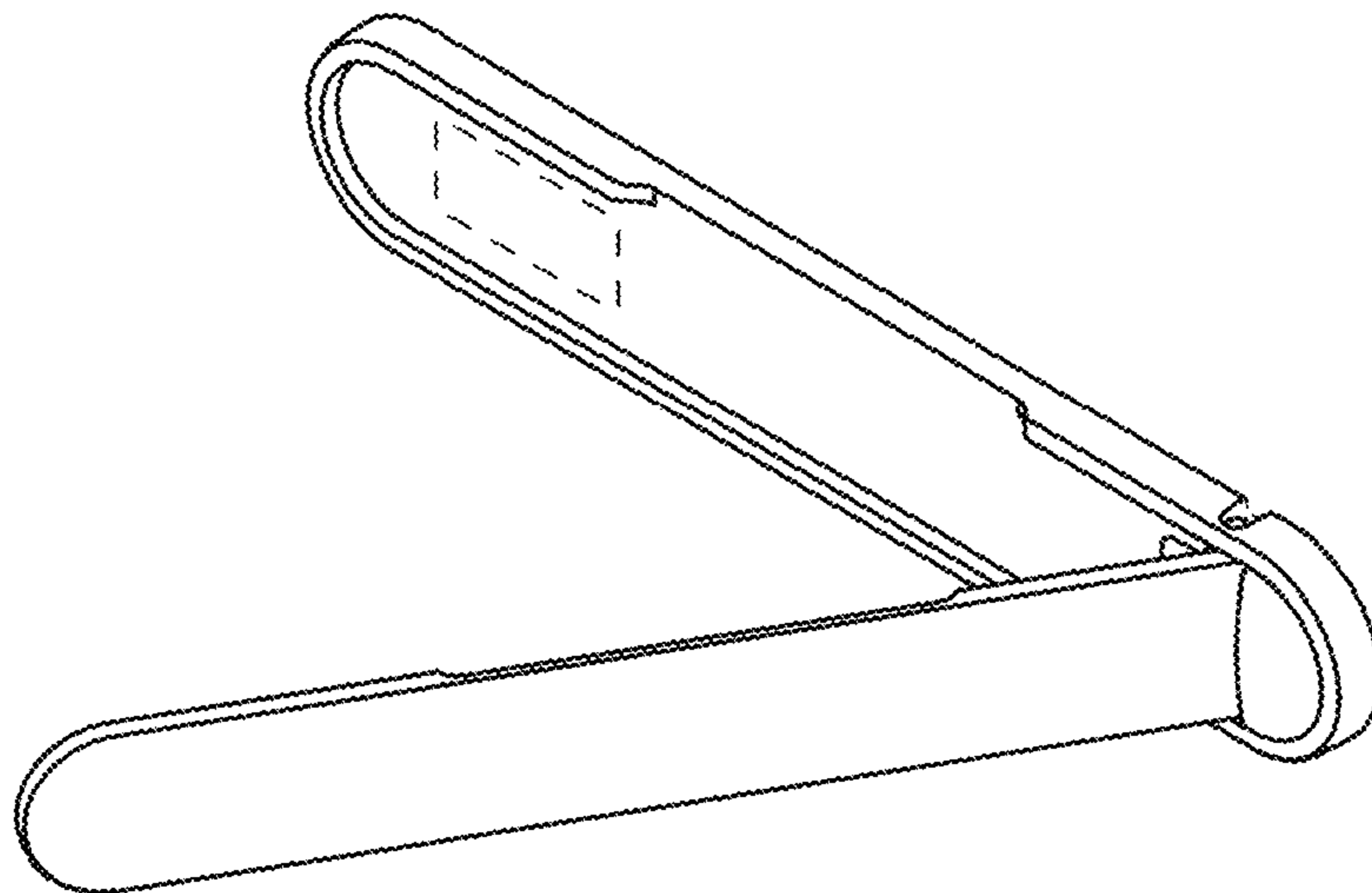


FIG. 2

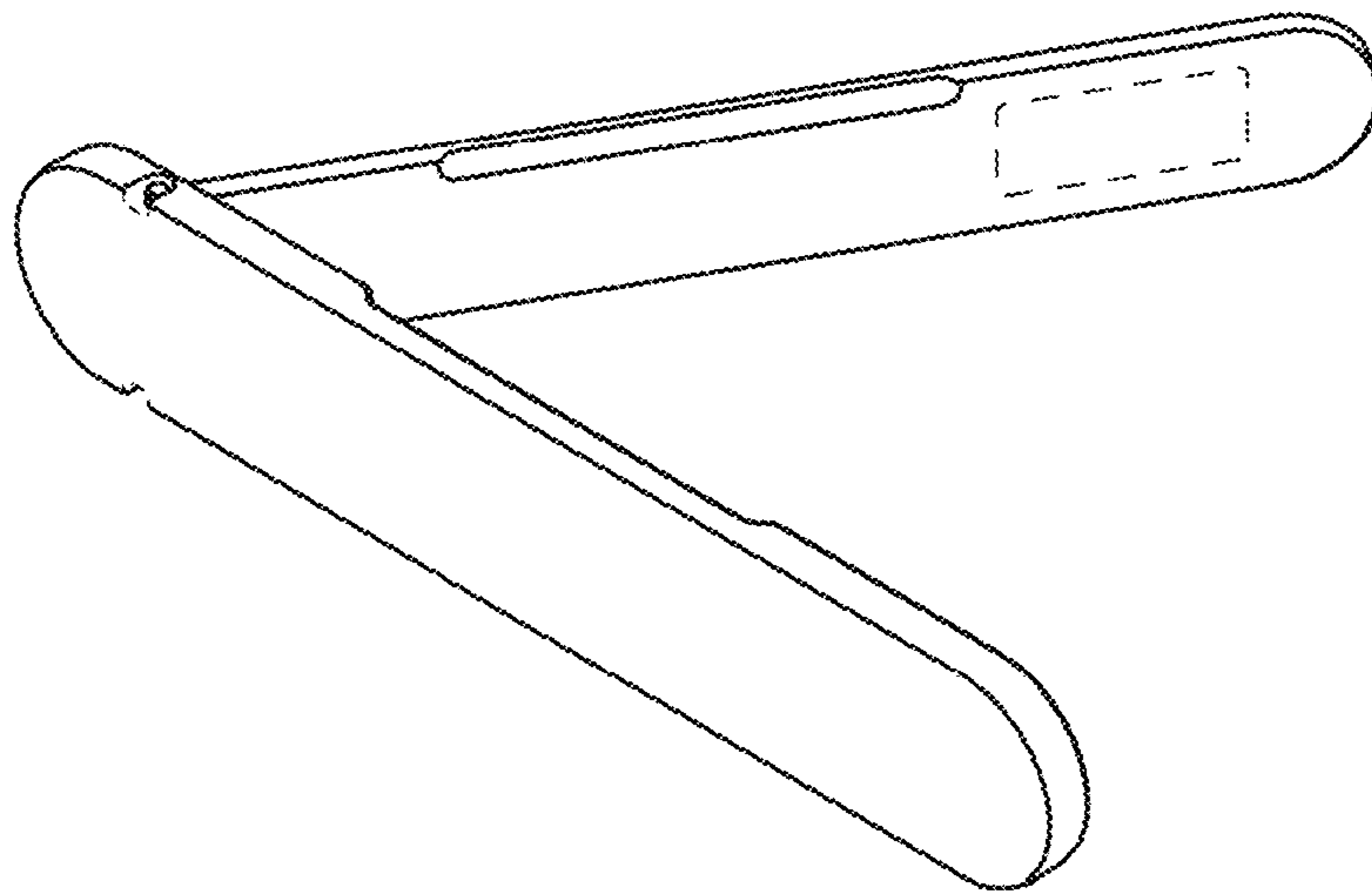


FIG. 3

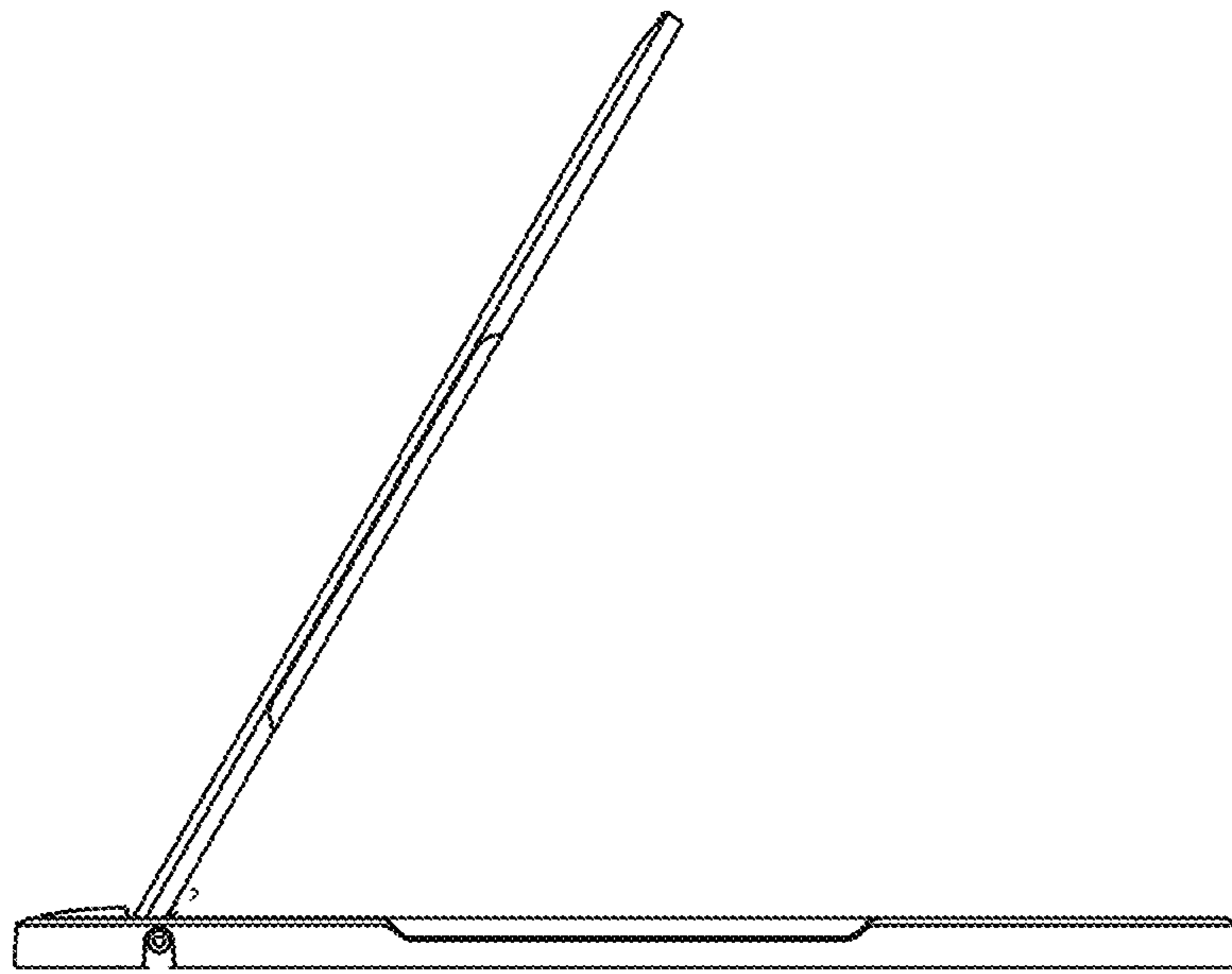


FIG. 4

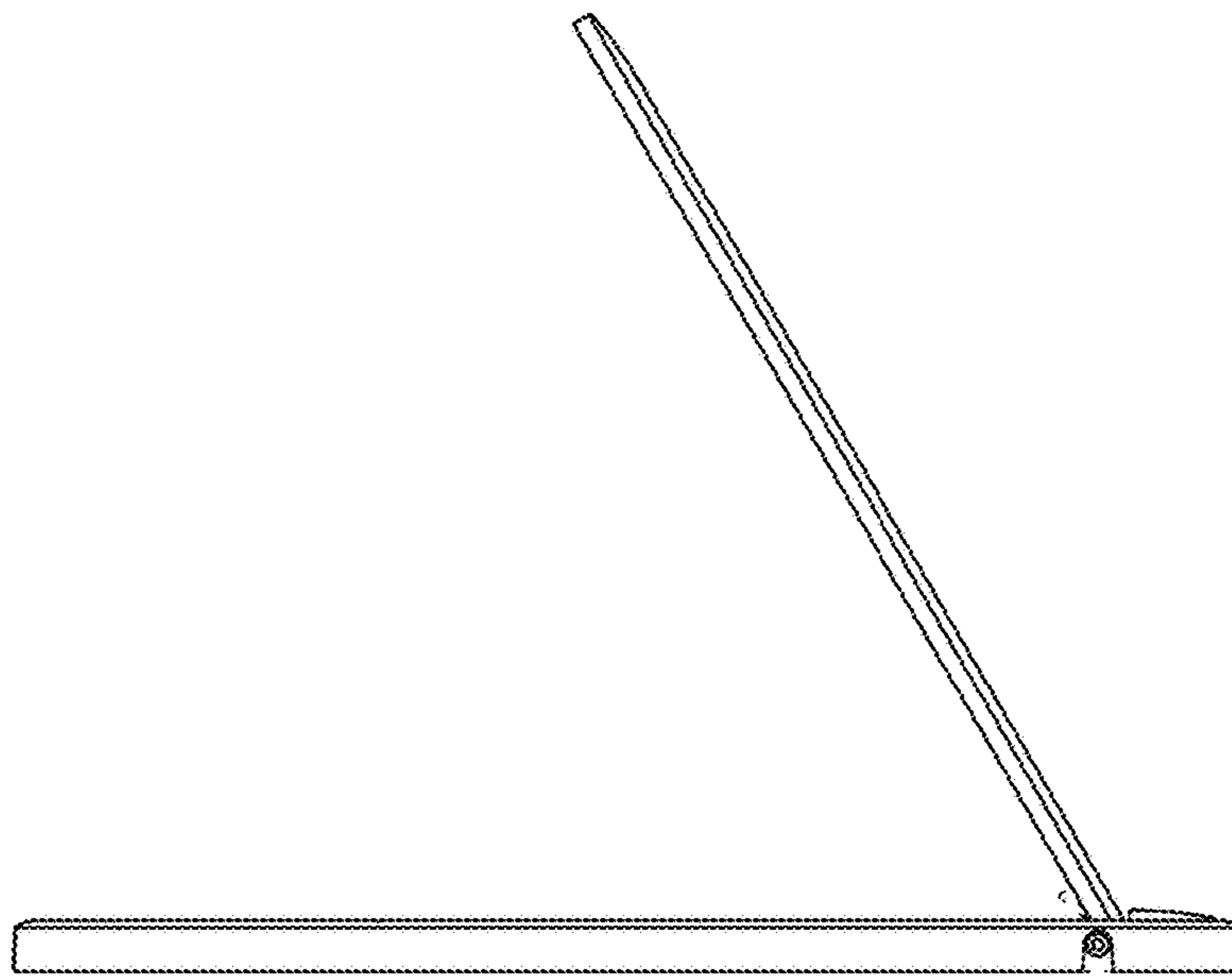


FIG. 5

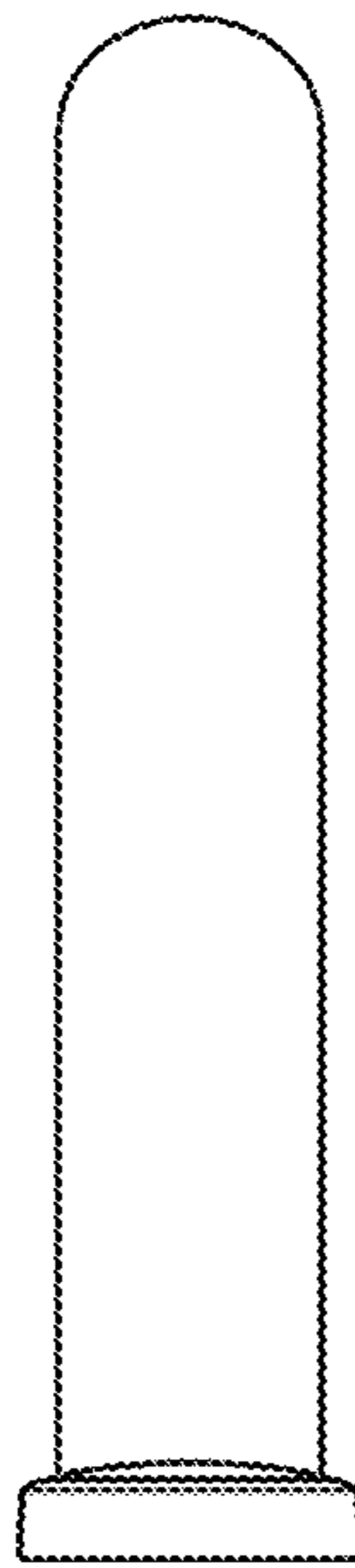


FIG. 6



FIG. 7

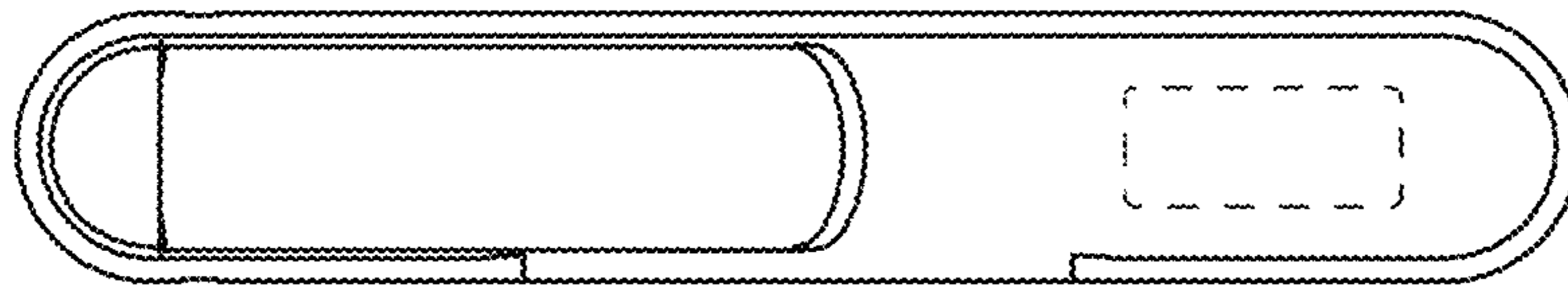


FIG. 8



FIG. 9

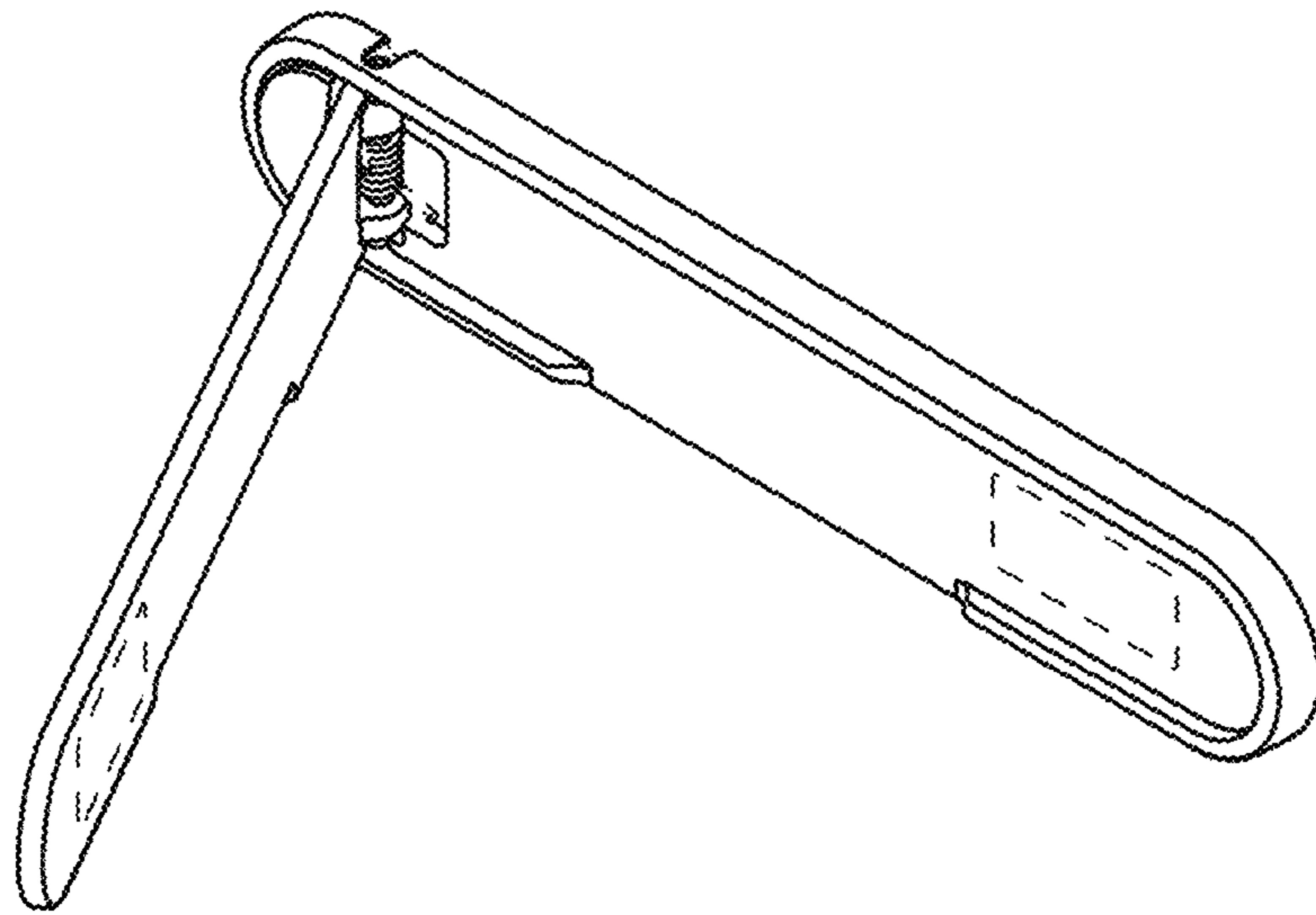


FIG. 10

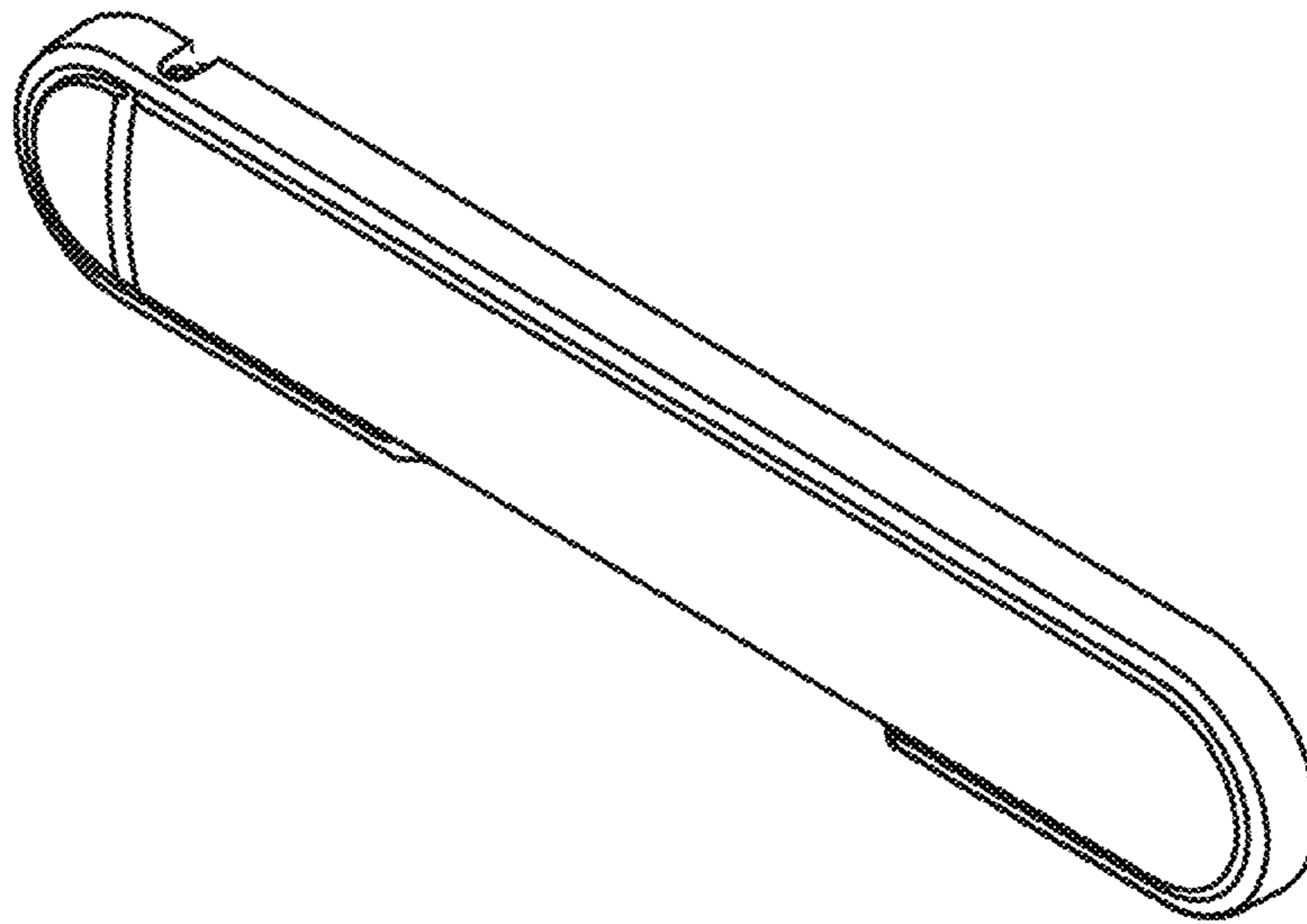


FIG. 11

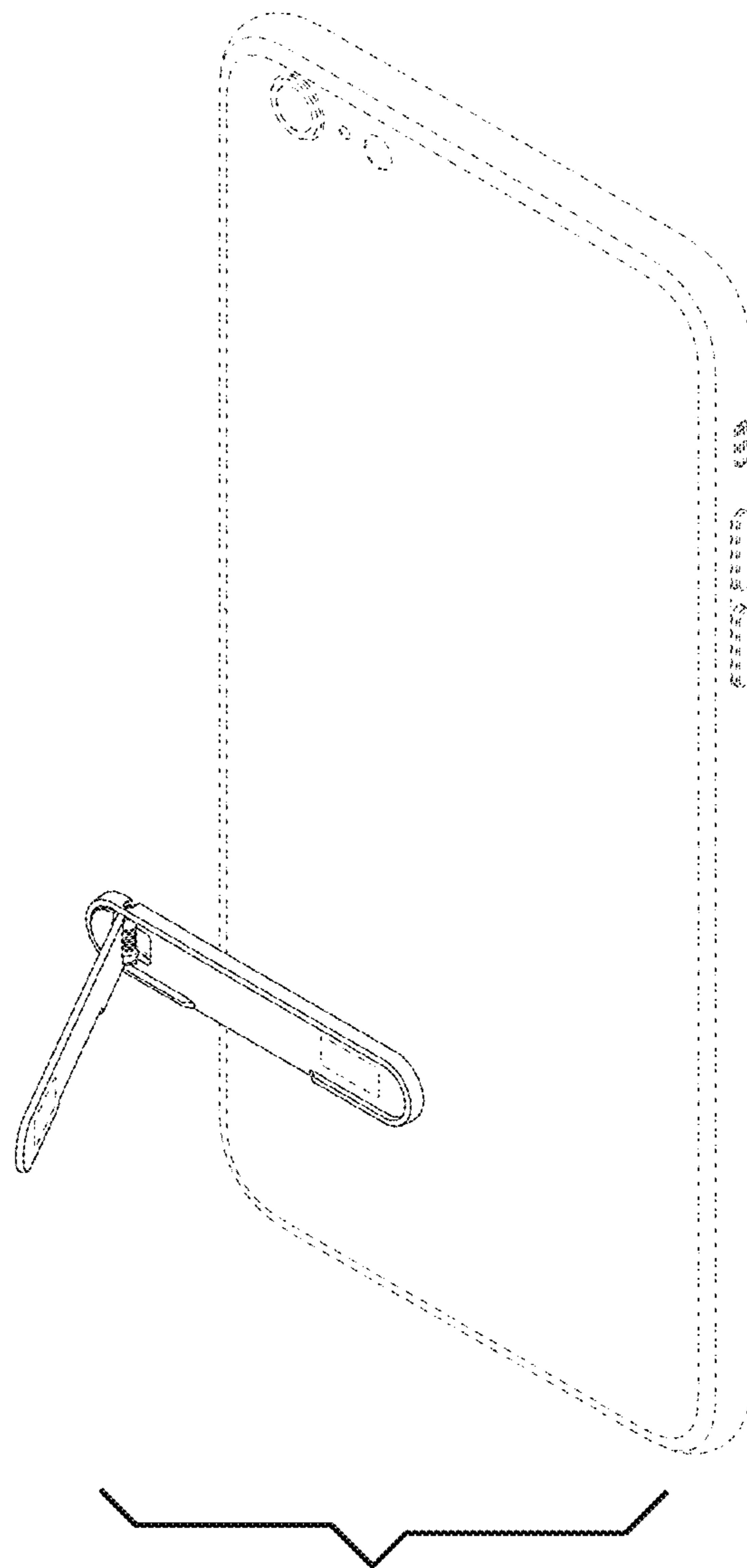


FIG. 12

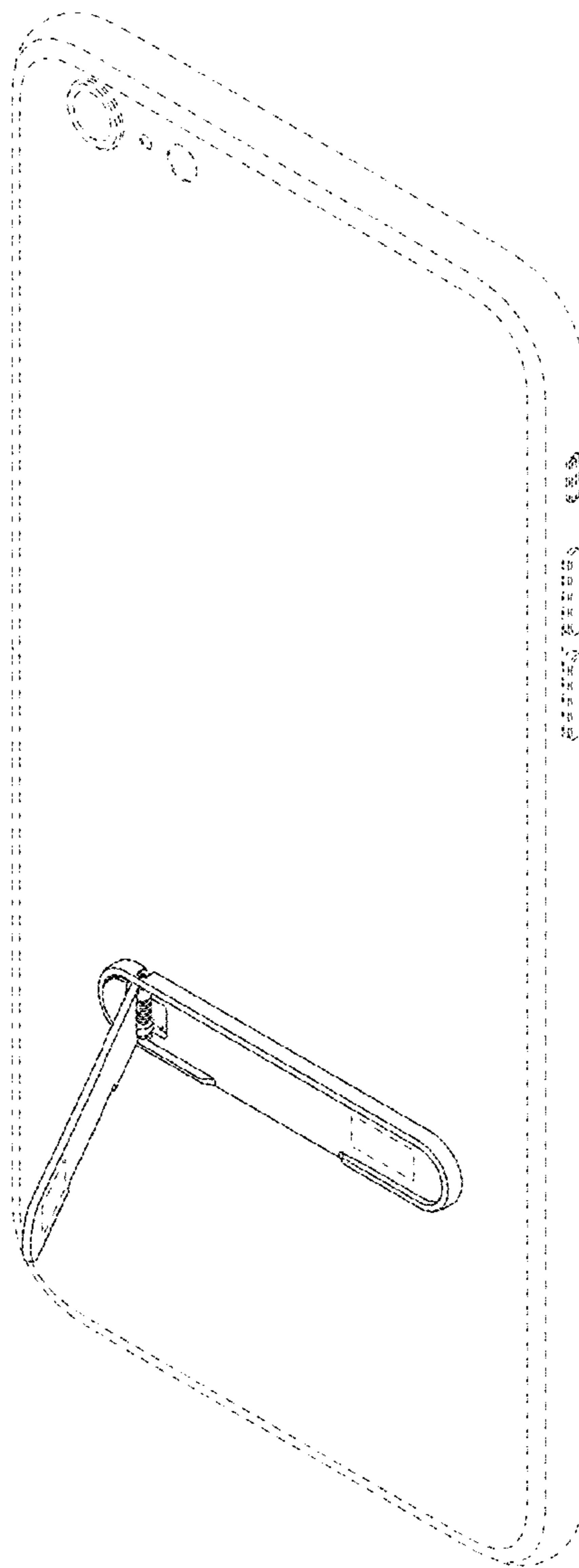


FIG. 13

