



US00D855601S

(12) **United States Design Patent**
Dang et al.

(10) **Patent No.:** **US D855,601 S**

(45) **Date of Patent:** **** Aug. 6, 2019**

(54) **CASE FOR A MOBILE ELECTRONIC DEVICE**

(71) Applicant: **mophie, Inc.**, Tustin, CA (US)

(72) Inventors: **Dat Minh Dang**, Westminster, CA (US); **William Benjamin Hasbrook**, Tualatin, OR (US); **Nguyen To**, Corona, CA (US); **Chee-Wui Loke**, Irvine, CA (US); **Fanpeng Zeng**, Shenzhen (CN)

(73) Assignee: **mophie inc.**, Irvine, CA (US)

(**) Term: **15 Years**

(21) Appl. No.: **29/539,419**

(22) Filed: **Sep. 14, 2015**

(51) **LOC (12) Cl.** **14-03**

(52) **U.S. Cl.**
USPC **D14/250**

(58) **Field of Classification Search**
USPC D3/218, 232, 233, 239, 242, 245-251, D3/269, 273, 301, 303; D13/103, 107,
(Continued)

(56) **References Cited**

U.S. PATENT DOCUMENTS

6,471,056 B1 10/2002 Tzeng
6,646,864 B2 11/2003 Richardson
(Continued)

FOREIGN PATENT DOCUMENTS

CN 201252577 Y 6/2009
CN 202364273 U 8/2012
(Continued)

OTHER PUBLICATIONS

The best iPhone 6 and iPhone 6 Plus battery Cases, posting date Jun. 12, 2015, [online][site visited May 29, 2018] <URL: <https://www.engadget.com/2015/06/12/the-best-iphone-6-and-iphone-6-plus-battery-case/>> Year: 2015.*

(Continued)

Primary Examiner — Susan E Krakower

Assistant Examiner — L. A. Grabenstetter

(74) *Attorney, Agent, or Firm* — Knobbe, Martens, Olson & Bear, LLP

(57) **CLAIM**

The ornamental design for a case for a mobile electronic device, as shown and described.

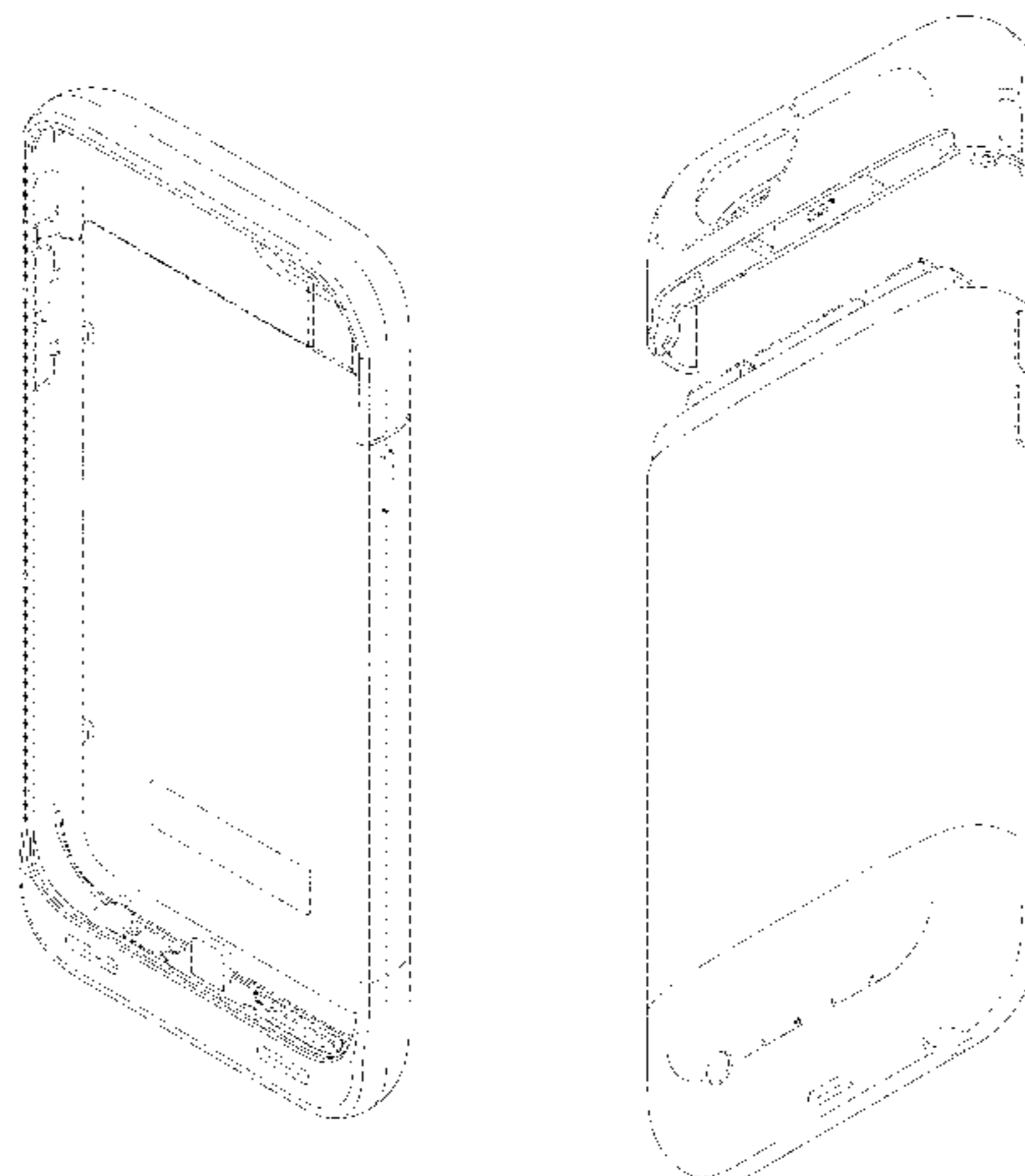
DESCRIPTION

FIG. 1 is a top-front perspective view of the design for a case for a mobile electronic device in a closed configuration; FIG. 2 is a bottom-rear perspective view thereof; FIG. 3 is a front view thereof; FIG. 4 is a rear view thereof; FIG. 5 is a left-side view thereof; FIG. 6 is a right-side view thereof; FIG. 7 is a top view thereof; FIG. 8 is a bottom view thereof; FIG. 9 is a top-front perspective view of the design for a case for a mobile electronic device in an open configuration; FIG. 10 is a bottom-rear perspective view thereof; FIG. 11 is a front view thereof; FIG. 12 is a rear view thereof; FIG. 13 is a left-side view thereof; and, FIG. 14 is a right-side view thereof.

The top view thereof is the same as FIG. 7; and The bottom view thereof is the same as FIG. 8. For clarity of disclosure, the components of the case are shown separated in FIGS. 9-14. Although the case for a mobile electronic device, in which the claimed design is embodied, consists of two separable components, the claim is directed to the overall ornamental appearance of the case for a mobile electronic device in its entirety and does not extend to the ornamental appearance of each of the individual components.

The broken lines depict portions of the case for a mobile electronic device that form no part of the claimed design. Broken lines and unshaded regions bounded by broken lines form no part of the claimed design.

1 Claim, 11 Drawing Sheets



(58) **Field of Classification Search**
 USPC D13/108, 119; D14/137, 138 R, 138 AA,
 D14/138 C, 138 G, 203.3–203.7, 217,
 D14/238.1, 247, 248, 250, 251–253, 440
 CPC H04B 1/3888; H04M 1/0283; H04M 1/0202;
 A45C 1/06; A45C 2011/002; A45C 11/00;
 A45F 2005/028; A45F 2200/0525
 See application file for complete search history.

(56) **References Cited**

U.S. PATENT DOCUMENTS

7,158,376	B2	1/2007	Richardson et al.
7,180,735	B2	2/2007	Thomas et al.
7,230,823	B2	6/2007	Richardson et al.
D556,681	S	12/2007	Kim
7,312,984	B2	12/2007	Richardson et al.
D561,092	S	2/2008	Kim
D565,291	S	4/2008	Brandenburg et al.
D574,819	S	8/2008	Andre et al.
D575,056	S	8/2008	Tan
D581,151	S	11/2008	Aipa
D582,149	S	12/2008	Tan
7,479,759	B2	1/2009	Vilanov et al.
D587,896	S	3/2009	Aipa
D597,089	S	7/2009	Khan et al.
D600,908	S	9/2009	Richardson et al.
7,609,512	B2	10/2009	Richardson et al.
D603,603	S	11/2009	Laine et al.
7,612,997	B1	11/2009	Diebel et al.
D605,850	S	12/2009	Richardson et al.
D606,528	S	12/2009	Khan et al.
D606,529	S	12/2009	Ferrari et al.
7,638,969	B2	12/2009	Woud
D609,228	S	2/2010	Ferrari et al.
D609,463	S	2/2010	Bullen
7,656,120	B2	2/2010	Neu et al.
D610,807	S	3/2010	Bau
D611,042	S	3/2010	Ferrari et al.
D613,282	S	4/2010	Richardson et al.
D615,077	S	5/2010	Richardson et al.
D615,535	S	5/2010	Richardson et al.
D615,536	S	5/2010	Richardson et al.
D615,967	S	5/2010	Richardson et al.
D616,360	S	5/2010	Huang
D616,361	S *	5/2010	Huang D13/103
D617,784	S	6/2010	Richardson et al.
D617,785	S	6/2010	Richardson et al.
D617,786	S	6/2010	Richardson et al.
D617,787	S	6/2010	Richardson et al.
D618,231	S	6/2010	Fahrendorff et al.
D619,573	S	7/2010	Khan et al.
D619,574	S	7/2010	Richardson et al.
D620,000	S	7/2010	Bau
D620,487	S	7/2010	Richardson et al.
D621,394	S	8/2010	Richardson et al.
D621,395	S	8/2010	Richardson et al.
D621,821	S	8/2010	Richardson et al.
D621,822	S	8/2010	Richardson et al.
7,782,610	B2	8/2010	Diebel et al.
D623,180	S	9/2010	Diebel
D623,638	S	9/2010	Richardson et al.
D623,639	S	9/2010	Richardson et al.
D623,640	S *	9/2010	Freeman D14/250
D624,533	S	9/2010	Richardson et al.
D624,908	S	10/2010	Huskinson
D624,909	S	10/2010	Huskinson
D624,910	S	10/2010	Richardson et al.
D626,120	S	10/2010	Richardson et al.
D626,121	S	10/2010	Richardson et al.
D626,538	S	11/2010	Brown et al.
D626,539	S	11/2010	Brown et al.
D626,540	S	11/2010	Brown et al.
D628,568	S	12/2010	Richardson et al.
D628,994	S	12/2010	Griffin, Jr. et al.
7,859,222	B2	12/2010	Woud
D631,877	S	2/2011	Rak et al.

D632,683	S	2/2011	Richardson et al.
D632,684	S	2/2011	Richardson et al.
D632,685	S	2/2011	Richardson et al.
D632,686	S	2/2011	Magness et al.
7,889,498	B2	2/2011	Diebel et al.
D634,741	S	3/2011	Richardson et al.
7,907,394	B2	3/2011	Richardson et al.
D636,386	S	4/2011	Richardson et al.
D636,387	S	4/2011	Willes et al.
7,933,122	B2	4/2011	Richardson et al.
D637,588	S	5/2011	Richardson et al.
D637,589	S	5/2011	Willes et al.
D637,590	S	5/2011	Michie et al.
D637,591	S	5/2011	Willes et al.
D637,592	S	5/2011	Magness et al.
D638,005	S	5/2011	Richardson et al.
D638,411	S	5/2011	Willes et al.
D638,413	S	5/2011	Magness et al.
D638,414	S	5/2011	Magness et al.
D638,828	S	5/2011	Melanson et al.
D638,829	S	5/2011	Melanson et al.
D638,830	S	5/2011	Magness et al.
D640,680	S	6/2011	Magness et al.
D641,013	S	7/2011	Richardson et al.
D641,014	S	7/2011	Smith et al.
D642,169	S	7/2011	Andre et al.
D642,170	S	7/2011	Johnson et al.
D642,171	S	7/2011	Melanson et al.
D642,558	S	8/2011	Magness
D643,029	S	8/2011	Feng
D643,424	S	8/2011	Richardson et al.
D644,215	S	8/2011	Dong
D644,216	S	8/2011	Richardson et al.
D644,635	S	9/2011	Richardson et al.
D644,639	S	9/2011	Weller et al.
D647,084	S	10/2011	Fathollahi
D647,108	S	10/2011	Lee
8,028,794	B1	10/2011	Freeman
D648,714	S	11/2011	Jones, III et al.
D648,715	S	11/2011	Jones, III et al.
D648,716	S	11/2011	Jones, III et al.
D648,717	S	11/2011	Fahrendorff et al.
D649,143	S	11/2011	Jones, III et al.
D650,810	S	12/2011	Lemelman et al.
D652,827	S	1/2012	Fahrendorff et al.
D652,828	S	1/2012	Fahrendorff et al.
D653,202	S	1/2012	Hasbrook et al.
D653,659	S	2/2012	Fahrendorff et al.
D654,069	S	2/2012	Kwon
D654,483	S	2/2012	Richardson et al.
D654,931	S	2/2012	Lemelman et al.
D655,281	S	3/2012	Turocy
D656,495	S	3/2012	Andre et al.
D658,165	S *	4/2012	Freeman D14/250
D658,643	S	5/2012	Fahrendorff et al.
D662,923	S	7/2012	Piedra et al.
D662,924	S	7/2012	Melanson et al.
D663,263	S *	7/2012	Gupta D13/103
D663,319	S	7/2012	Chen et al.
D664,091	S	7/2012	Pliner et al.
D665,735	S	8/2012	Kang et al.
8,245,842	B2	8/2012	Bau
D667,783	S	9/2012	Zhang et al.
D670,281	S	11/2012	Corpuz et al.
D670,689	S	11/2012	Wang
D671,105	S	11/2012	Rothbaum et al.
D671,106	S	11/2012	Rothbaum et al.
D671,493	S *	11/2012	Hasbrook D13/108
D674,394	S	1/2013	Kajimoto
8,342,325	B2	1/2013	Rayner
D675,603	S	2/2013	Melanson et al.
D676,032	S	2/2013	Stump et al.
D676,432	S	2/2013	Hasbrook et al.
8,367,235	B2	2/2013	Huang et al.
D677,249	S *	3/2013	Li D14/250
D677,251	S	3/2013	Melanson et al.
D678,869	S	3/2013	Diebel
8,390,255	B1	3/2013	Fathollahi
8,393,466	B2	3/2013	Rayner

(56)

References Cited

U.S. PATENT DOCUMENTS

D679,271 S	4/2013	Liu		D738,365 S	9/2015	Melanson et al.	
D679,684 S	4/2013	Baker et al.		D739,394 S	9/2015	Rayner et al.	
D679,699 S	4/2013	Piedra et al.		9,123,935 B2	9/2015	Huang	
D681,020 S	4/2013	Magness et al.		D740,797 S	10/2015	Daniel	
D682,815 S	5/2013	Chang		D741,844 S	10/2015	Rayner et al.	
D683,338 S	5/2013	Wilson et al.		9,172,070 B2	10/2015	Huang et al.	
8,439,191 B1	5/2013	Lu		D744,472 S	12/2015	Lerenthal	
8,457,701 B2	6/2013	Diebel		D744,993 S	12/2015	Diebel	
D685,356 S	7/2013	Diebel		D744,995 S	12/2015	Lerenthal	
D685,737 S *	7/2013	de Jong	D13/119	D746,273 S	12/2015	Herbst	
8,483,758 B2	7/2013	Huang		D746,275 S	12/2015	Mohammad	
D687,426 S	8/2013	Requa		D746,801 S	1/2016	Pan	
D688,233 S	8/2013	Dong		D748,612 S	2/2016	Chan et al.	
8,509,864 B1	8/2013	Diebel		D749,557 S	2/2016	Feng	
8,509,865 B1	8/2013	LaColla et al.		D751,058 S	3/2016	Cocchia et al.	
8,531,833 B2	9/2013	Diebel et al.		D751,059 S	3/2016	Cocchia et al.	
D691,990 S	10/2013	Rayner		D751,542 S	3/2016	Daniel	
8,560,014 B1	10/2013	Hu et al.		9,313,305 B1	4/2016	Diebel	
D693,801 S	11/2013	Rayner		9,319,501 B2	4/2016	Huang	
D696,234 S	12/2013	Wright		D756,909 S *	5/2016	Gupta	D13/103
D697,502 S	1/2014	Chu et al.		D756,910 S	5/2016	Gupta et al.	
D697,504 S	1/2014	Yang		9,356,267 B1	5/2016	To et al.	
D698,774 S	2/2014	Wardy		D759,641 S	6/2016	Lai et al.	
D703,652 S	4/2014	Melanson et al.		9,402,452 B2	8/2016	Diebel et al.	
D704,182 S	5/2014	Smith		9,406,913 B2	8/2016	Huang et al.	
D704,688 S	5/2014	Reivo et al.		D765,628 S	9/2016	Watt et al.	
D705,768 S	5/2014	Melanson et al.		D765,636 S	9/2016	Kanazawa	
D706,253 S	6/2014	Simmer		D766,819 S	9/2016	Gjøvik et al.	
D706,255 S	6/2014	Akana et al.		D767,485 S	9/2016	To et al.	
D706,256 S	6/2014	Ward et al.		D768,612 S	10/2016	Wright et al.	
D706,272 S	6/2014	Poon		D772,855 S	11/2016	Ju	
D709,058 S	7/2014	Hemesath et al.		9,495,375 B2	11/2016	Huang et al.	
D709,439 S *	7/2014	Ferber	D13/103	9,545,140 B1	1/2017	Johnson et al.	
D709,485 S	7/2014	Bishop		9,577,695 B2	2/2017	Huang	
D710,344 S	8/2014	Smith et al.		D781,839 S	3/2017	Kim et al.	
D710,347 S	8/2014	Esses		9,748,535 B2	8/2017	Huang et al.	
D710,795 S *	8/2014	Gupta	D13/103	D797,091 S	9/2017	To et al.	
D710,839 S	8/2014	Chang		D797,092 S	9/2017	To et al.	
D711,312 S	8/2014	Tien		D797,093 S	9/2017	To et al.	
D711,362 S	8/2014	Poon		9,755,444 B2	9/2017	To et al.	
D711,863 S *	8/2014	Wen	D14/250	9,876,522 B2	1/2018	Huang et al.	
D714,274 S	9/2014	Jung		9,997,933 B2	6/2018	Huang et al.	
D714,278 S	9/2014	Case et al.		10,033,204 B2	7/2018	Huang et al.	
8,837,156 B2	9/2014	Sun et al.		10,079,496 B2	9/2018	Huang et al.	
D716,784 S	11/2014	Wen		2009/0108800 A1	4/2009	Woud	
D716,785 S	11/2014	White		2009/0160399 A1	6/2009	Woud	
D717,781 S	11/2014	Kim		2009/0160400 A1	6/2009	Woud	
D718,230 S *	11/2014	To	D13/103	2010/0096284 A1	4/2010	Bau	
D718,289 S	11/2014	Brand		2010/0113106 A1	5/2010	Supran	
D718,291 S	11/2014	Hong		2010/0124040 A1 *	5/2010	Diebel	G06F 1/1628 361/816
D718,293 S *	11/2014	Namminga	D14/250	2010/0200456 A1	8/2010	Parkinson	
D718,754 S *	12/2014	To	D14/250	2010/0203931 A1	8/2010	Hynecek et al.	
D718,755 S *	12/2014	To	D14/250	2010/0224519 A1	9/2010	Kao	
8,917,506 B2	12/2014	Diebel et al.		2011/0049005 A1	3/2011	Wilson et al.	
D720,740 S	1/2015	Wicks et al.		2011/0084081 A1	4/2011	Chung et al.	
D721,356 S	1/2015	Hasbrook et al.		2011/0136555 A1	6/2011	Ramies et al.	
D721,685 S	1/2015	Hasbrook et al.		2011/0199041 A1	8/2011	Yang	
D721,687 S *	1/2015	To	D14/250	2011/0253569 A1	10/2011	Lord	
D722,043 S *	2/2015	Requa	D13/108	2011/0259664 A1	10/2011	Freeman	
D722,312 S	2/2015	Tages et al.		2011/0297578 A1	12/2011	Stiehl et al.	
D723,018 S *	2/2015	White	D14/250	2011/0309728 A1	12/2011	Diebel	
8,954,117 B2	2/2015	Huang		2012/0088555 A1	4/2012	Hu	
8,955,678 B2	2/2015	Murphy et al.		2012/0088558 A1 *	4/2012	Song	H04M 1/18 455/575.1
D723,530 S *	3/2015	Namminga	D14/250	2012/0106037 A1	5/2012	Diebel et al.	
D724,065 S	3/2015	Fathollahi		2012/0122520 A1	5/2012	Phillips	
D724,574 S	3/2015	Williams		2012/0177967 A1	7/2012	Wang	
D725,091 S	3/2015	Wen		2012/0282977 A1	11/2012	Haleluk	
8,971,039 B2	3/2015	Huang et al.		2012/0302294 A1	11/2012	Hammond et al.	
D727,883 S *	4/2015	Brand	D14/250	2012/0305422 A1	12/2012	Vandiver	
D728,468 S *	5/2015	Ferber	D13/103	2012/0320501 A1	12/2012	Ackloo	
9,026,187 B2	5/2015	Huang		2013/0045775 A1	2/2013	Heywood	
D732,012 S *	6/2015	Tsai	D14/250	2013/0052871 A1	2/2013	Eklind	
9,077,013 B2	7/2015	Huang et al.		2013/0088815 A1	4/2013	Hu et al.	
9,088,028 B2	7/2015	Huang et al.		2013/0098790 A1	4/2013	Hong	
9,088,029 B2	7/2015	Huang et al.		2013/0146491 A1	6/2013	Ghali et al.	
				2013/0273983 A1	10/2013	Hsu	
				2013/0314030 A1	11/2013	Fathollahi	

(56)

References Cited

U.S. PATENT DOCUMENTS

2014/0035511	A1	2/2014	Ferber et al.
2014/0069825	A1	3/2014	Macrina et al.
2014/0141838	A1	5/2014	Cai et al.
2014/0165379	A1	6/2014	Diebel et al.
2014/0268518	A1	9/2014	Huang et al.
2014/0375182	A1	12/2014	Li et al.
2015/0141090	A1	5/2015	Hwan et al.
2015/0189053	A1	7/2015	LaHam
2015/0194648	A1	7/2015	Fathollahi et al.
2015/0194833	A1	7/2015	Fathollahi et al.
2015/0214993	A1	7/2015	Huang
2015/0215439	A1	7/2015	Stanimirovic et al.
2015/0281410	A1	10/2015	Takahashi
2015/0364875	A1	12/2015	Ginsberg
2015/0381226	A1	12/2015	Mogol
2016/0112085	A1	4/2016	Johnson
2016/0181580	A1	6/2016	To et al.
2018/0076428	A1	3/2018	Huang et al.

FOREIGN PATENT DOCUMENTS

CN	302510329	S	7/2013
CN	302573150	S	9/2013
KR	30-0650361		7/2012
TW	D150044		11/2012
TW	D156538		10/2013

OTHER PUBLICATIONS

Anker's Ultra Slim Battery Case for iPhone 6 . . . , posting date Mar. 13, 2015, [online][site visited May 29, 2018]<URL: <https://9to5mac.com/2015/03/13/review-ankers-ultra-slim-battery-case-iphone-6/>> (Year: 2015).*

The 10 best iPhone 6 extended battery cases to keep the power flowing, posting date Jul. 23, 2015, [online][site visited May 29, 2018]<URL: <https://www.digitaltrends.com/mobile/best-iphone-6-battery-cases/>> (Year: 2015).*

Reexamination Control No. 90/013,319, filed Sep. 18, 2014, Huang et al.

U.S. Appl. No. 15/130,196, filed Apr. 15, 2016, Huang.

U.S. Appl. No. 29/382,515, filed Jan. 4, 2011, Gallouzi et al.

U.S. Appl. No. 29/464,620, filed Aug. 19, 2013, Tsai.

U.S. Appl. No. 29/478,391, filed Jan. 3, 2014, Namminga et al.

U.S. Appl. No. 29/478,390, filed Jan. 3, 2014, Dang et al.

U.S. Appl. No. 29/478,383, filed Jan. 3, 2014, Dang et al.

U.S. Appl. No. 29/478,388, filed Jan. 3, 2014, Kim et al.

U.S. Appl. No. 29/499,868, filed Aug. 19, 2014, Mophie, Inc.

U.S. Appl. No. 29/523,209, filed Apr. 7, 2015, Mophie, Inc.

U.S. Appl. No. 29/528,266, filed May 27, 2015, Gjøvik et al.

U.S. Appl. No. 29/534,901, filed Jul. 31, 2015, Dang et al.

U.S. Appl. No. 15/223,683, filed Jul. 29, 2016, Huang et al.

U.S. Appl. No. 15/223,735, filed Jul. 29, 2016, Diebel et al.

U.S. Appl. No. 29/556,805, filed Mar. 3, 2016, Dang et al.

U.S. Appl. No. 29/556,807, filed Mar. 3, 2016, Dang et al.

U.S. Appl. No. 29/556,809, filed Mar. 3, 2016, Dang et al.

U.S. Appl. No. 29/626,999, filed Nov. 21, 2017, DiLella.

U.S. Appl. No. 15/820,197, filed Nov. 21, 2017, DiLella.

U.S. Appl. No. 16/132,272, filed Sep. 14, 2018, Huang et al.

U.S. Appl. No. 29/668,743, filed Nov. 1, 2018.

U.S. Appl. No. 29/668,770, filed Nov. 1, 2018.

U.S. Appl. No. 29/668,768, filed Nov. 1, 2018.

U.S. Appl. No. 29/668,774, filed Nov. 1, 2018.

U.S. Appl. No. 29/668,773, filed Nov. 1, 2018.

U.S. Appl. No. 29/668,766, filed Nov. 1, 2018.

"Sandberg BatteryCase for iPhone 4/4S delivers more band for your buck," dated Mar. 15, 2012, <http://www.gizmag.com/sanberg-battery-case-iphone/21839>.

Shawn Brown, "Incase Power Slider battery doubles as a case," dated Nov. 19, 2008, <http://www.iphonebuzz.com/incase-power-slider-battery-doubles-as-a-case-195224.php>.

Nick Guy, "Incipio offGrid Battery Case for iPhone 5/5s," dated Oct. 9, 2013, <http://www.ilounge.com/index.php/reviews/entry/incipio-offgrid-battery-case-for-iphone-5-5s/>.

Jeremy Horwitz, "Mophie Juice Pack Plus for iPhone 5," dated May 21, 2013, <http://www.ilounge.com/index.php/reviews/entry/mophie-juice-pack-plus-for-iphone-5/>.

Devin Coldewey, "Combination iPhone battery pack and flash from FastMac," dated Nov. 4, 2008, <http://crunchgear.com/2008/11/04/combination-iphone-battery-pack-and-flash-from-fastmac/>.

Brian Nyhuis, "Mophie Juice Pack Battery Case for Samsung Galaxy S III Review," dated Nov. 28, 2012, http://www.legitreviews.com/mophie-juice-pack-battery-case-for-samsung-galaxy-s-iii-review_2084.

"PowerSkin Samsung Galaxy S3 Case with Backup Battery," dated Aug. 19, 2012, <http://gadgets.in.com/powerskin-samsung-galaxy-s3-case-with-backup-battery.htm>.

"iPhone 4 Case with Battery Pack," dated Sep. 28, 2010, <http://gadgets.in.com/iphone-4-case-with-battery-pack.htm>.

Jonathan Pena, "iPhone 5 Cases, Round 3," dated Sep. 16, 2012, <http://www.technologytell.com/apple/103833/iphone-5-cases-round-3/>.

Jeremy Horwitz, "Mophie Juice Pack for iPhone," dated Dec. 7, 2007, <http://www.ilounge.com/index.php/reviews/entry/mophie-juice-pack-for-iphone/>.

Dr. Macenstein, "Review: Mophie Juice Pack for iPhone," dated Apr. 27, 2008, <http://macenstein.com/default/2008/04/review-mophie-juice-pack-for-iphone/>.

Wayne Schulz, "iPhone Extended Battery Review—Mophie Juice Pack," dated Jun. 17, 2008, <http://www.geardiary.com/2008/06/17/iphone-extended-battery-review-mophie-juice-pack/>.

Mophie Juice Pack iPhone 1G Product—Figures 1-7—Retrieved from <http://www.mophie.com/products/juice-pack> on Apr. 10, 2009.

Mophie Juice Pack iPhone 1G Product—Figures 15-16—Retrieved from http://mophie.com/blogs/Juice_Pack_FAQ on Apr. 20, 2009. Figure 16 is dated May 1, 2008.

Tomas Ratas, "Mophie Juice Pack—iPhone 3G," dated Dec. 9, 2008, <http://www.testfreaks.com/blog/review/mophie-juice-pack-iphone-3g/>.

Dr. Macenstein, "Review: Mophie Juice Pack 3G for iPhone," dated Nov. 27, 2008, <http://macenstein.com/default/archives/1820>.

Ewdison Then, "Mophie Juice Pack iPhone 3G Review," dated Nov. 12, 2008, <http://www.slashgear.com/mophie-juice-pack-iphone-3g-review-1222446/>.

Mophie Juice Pack iPhone 3G Product—Figures 1-8—Retrieved from <http://www.mophie.com/products/juice-pack-iphone-3g> on Apr. 10, 2009.

Mophie Juice Pack iPhone 3G Product—Figures 9-10—Retrieved from <http://www.mophie.com/pages/iphone-3g-details> on Apr. 10, 2009.

Mophie Juice Pack iPhone 3G Product—Figures 11-14—Retrieved from http://mophie.com/blogs/Juice_Pack_3G_FAQ on Apr. 10, 2009.

Mophie Juice Pack iPhone 3G Product—Figures 15-16—Retrieved from <http://mophie.com/blogs/press> on Apr. 20, 2009. Figure 15 is dated Aug. 4, 2008, and Figure 16 is dated Nov. 10, 2008.

Chris Foresman, "Several Backup Batteries Can Extend Your Daily iPhone 3G Use," dated Jul. 18, 2008, <http://arstechnica.com/apple/2008/07/several-backup-batteries-can-extend-your-daily-iphone-3g-use/>.

Incase Power Slider 3G for iPhone 3G Product Reference, alleged by Incase to be available on Nov. 28, 2008.

Joseph Flatley, "Incase Power Slider for iPhone 3G Doubles the Juice, Lets You Sync," dated Nov. 17, 2008. URL: <https://www.engadget.com/2008/11/17/incase-power-slider-for-iphone-3g-doubles-the-juice-lets-you-sy/>.

Darren Quick, "Mophie Juice Pack for iPhone 3G now shipping," dated Nov. 10, 2008, <http://www.gizmag.com/mophie-juice-pack-iphone-3g/10342/>.

Jeremy Horwitz, "PhoneSuit MiLi Power Pack for iPhone," Jan. 29, 2009, <http://www.ilounge.com/index.php/reviews/entry/phonesuit-mili-power-pack-for-iphone/>.

(56)

References Cited

OTHER PUBLICATIONS

Jeremy Horwitz, "FastMac TruePoweriV Universal Battery Charger," Dec. 11, 2008, <http://www.ilounge.com/index.php/reviews/entry/fastmac-truepower-iv-universal-battery-charger/>.

Jeremy Horwitz, "Konnet PowerKZ Extended Power for iPhone," Apr. 2, 2009, <http://www.ilounge.com/index.php/reviews/entry/konnet-powerkz-extended-power-for-iphone/>.

"Test: Batterie iPhone Skpad" with Machine English Translation, Feb. 2, 2009, <http://iphonesofa.com/2009/02/02/test-batterie-iphone-skpad>.

Webpage Archive, Mophie.com, Nov. 25, 2007.

Ben Kaufman, "Behind the Invention: The mophie Juice Pack," dated Dec. 31, 2013, <https://medium.com/@benkaufman/behind-the-invention-the-mophie-juice-pack-a0620f74efcf>.

Amazon.com, "Galaxy S6 Battery Case, i-Blason External Protective Battery Case/Cover for Samsung Galaxy S6 2015 Release." Customer Review published Mar. 29, 2015. Retrieved from Internet at <http://www.amazon.com/Case-i-Blason-External-Protective-Versions/dp/B00SNS4LME>, Apr. 28, 2016. 7 pages.

* cited by examiner

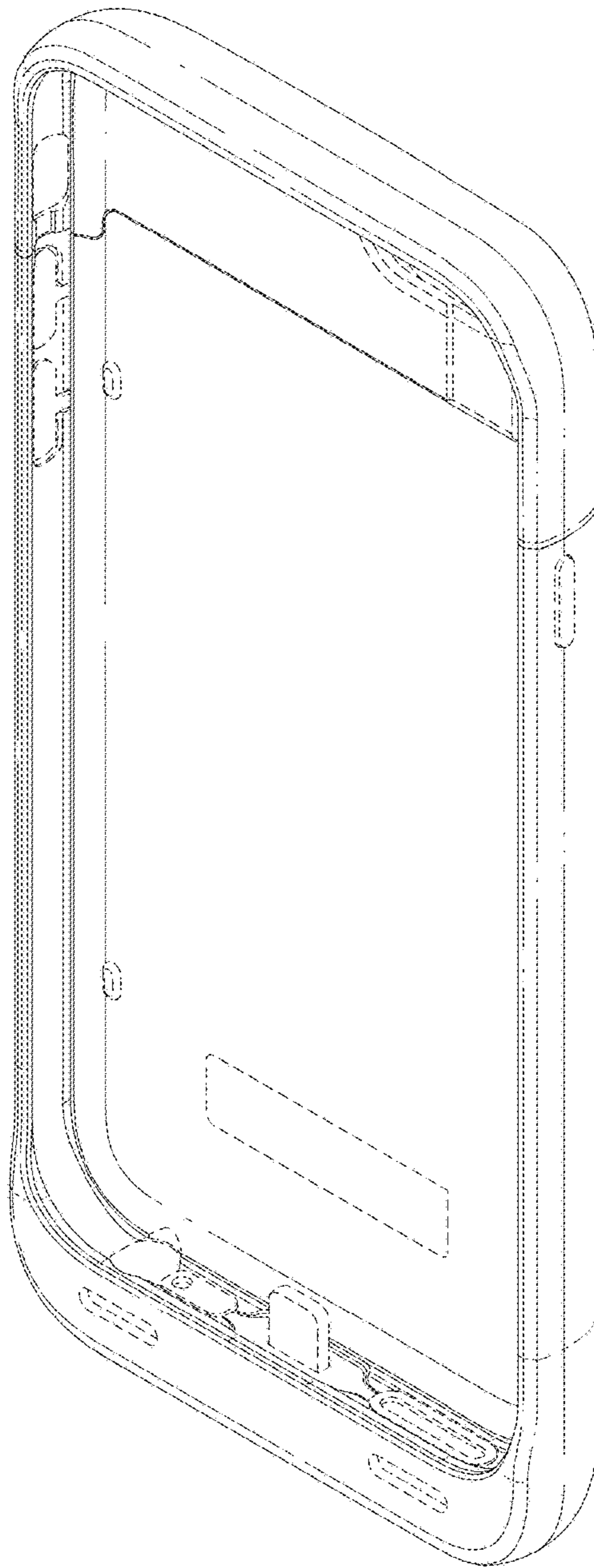


FIG. 1

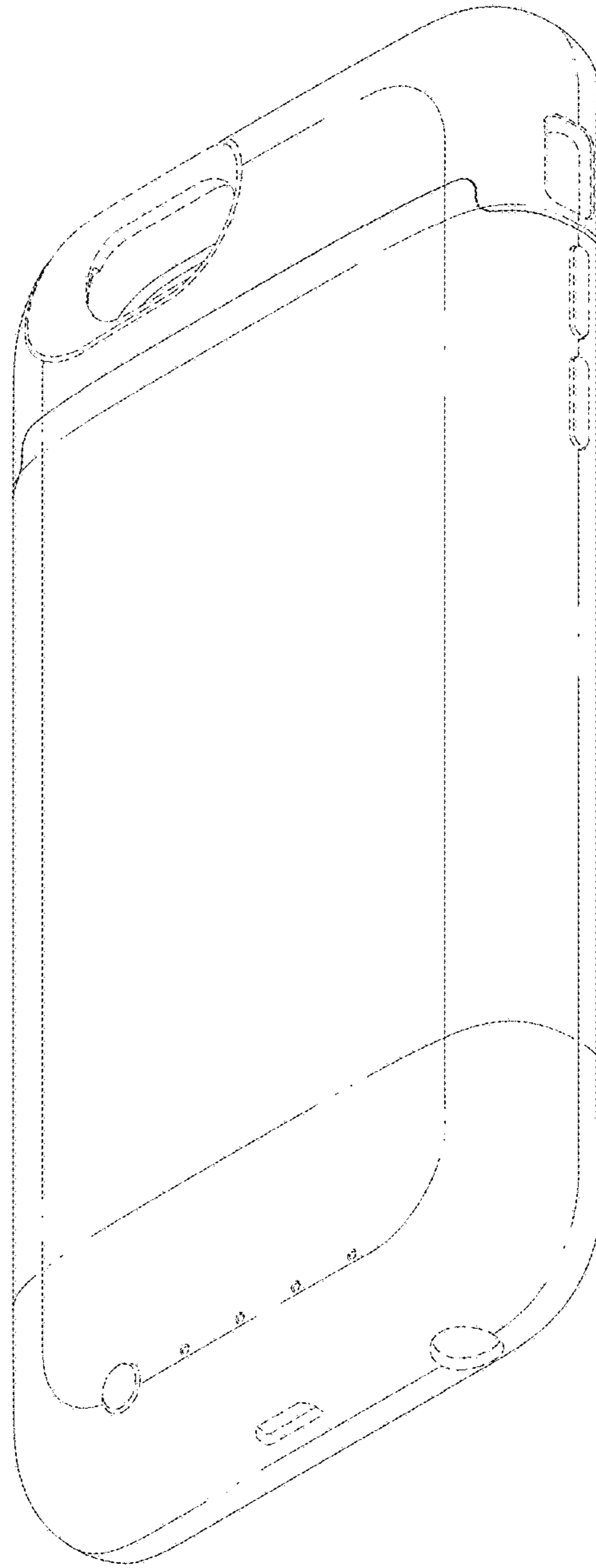


FIG. 2

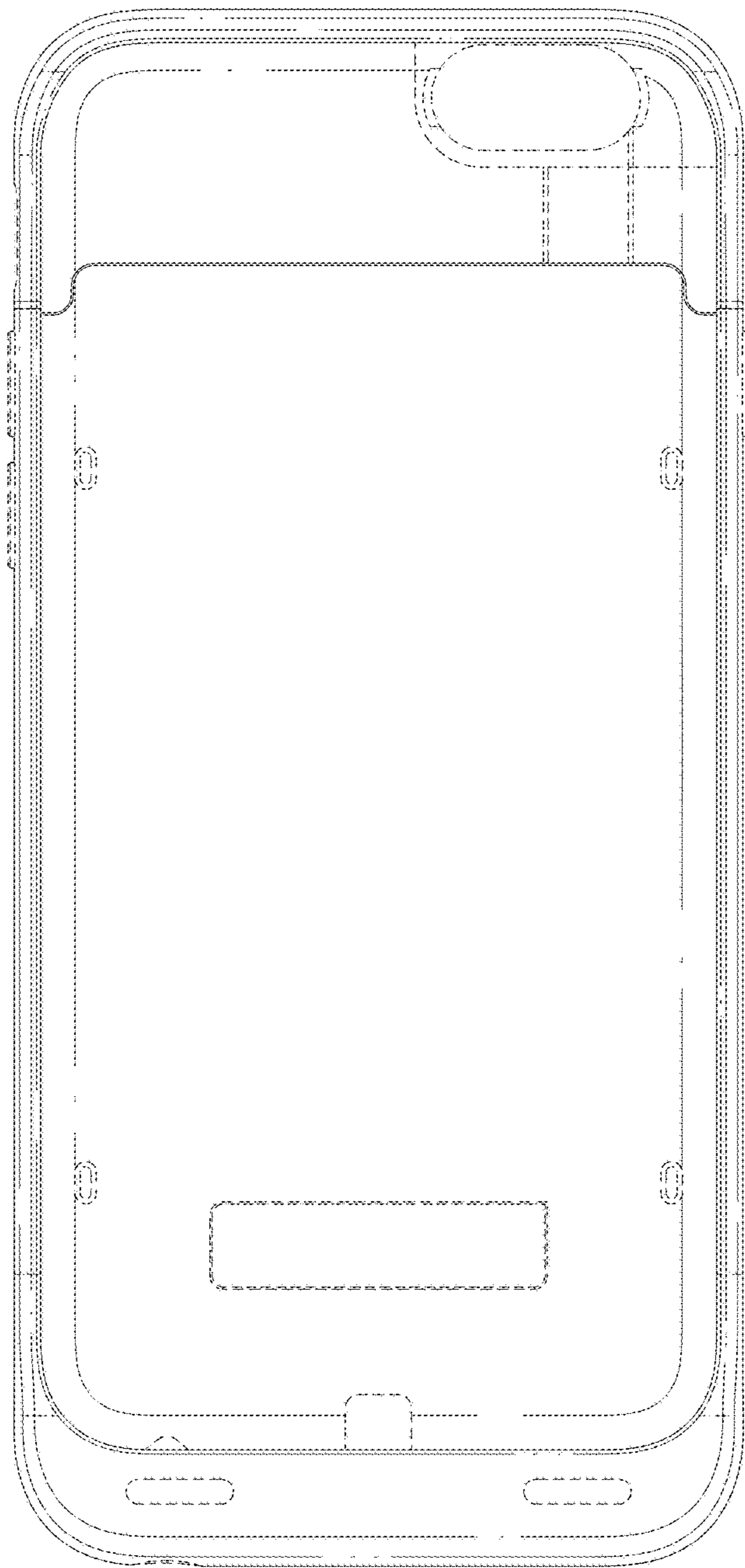


FIG. 3

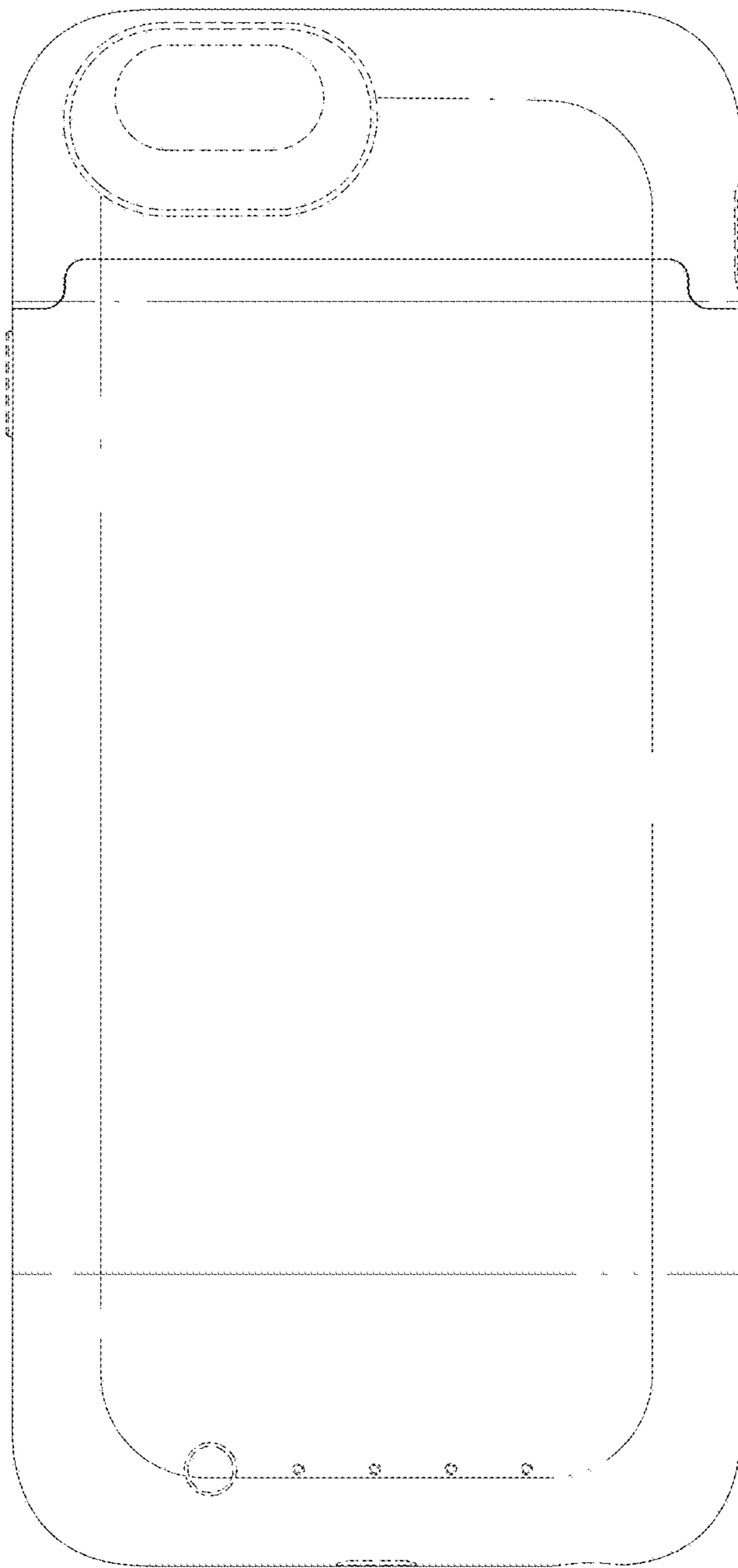


FIG. 4

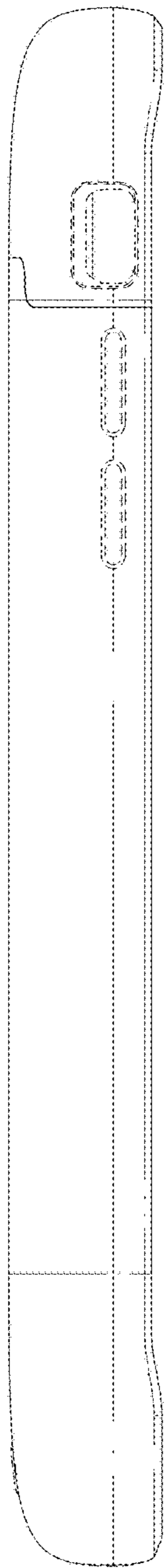


FIG. 5

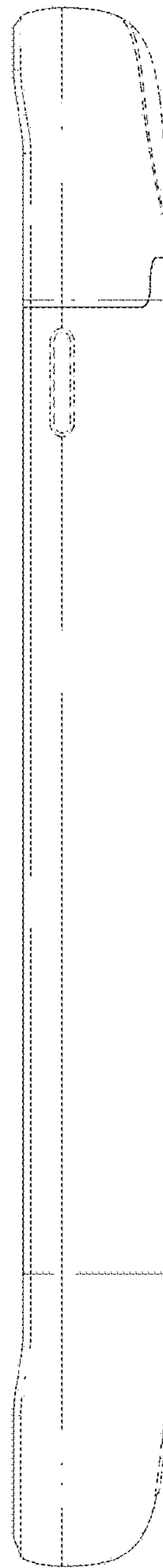


FIG. 6

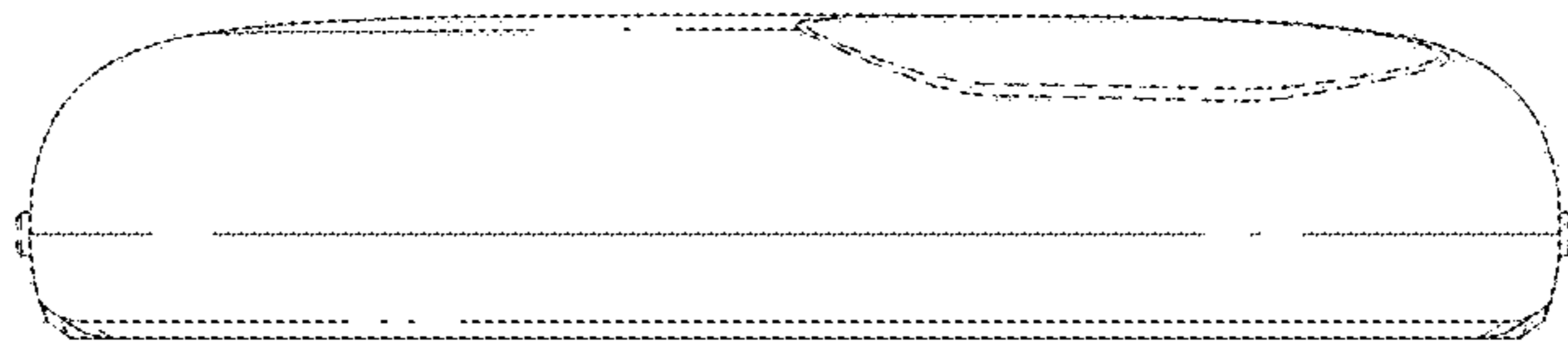


FIG. 7

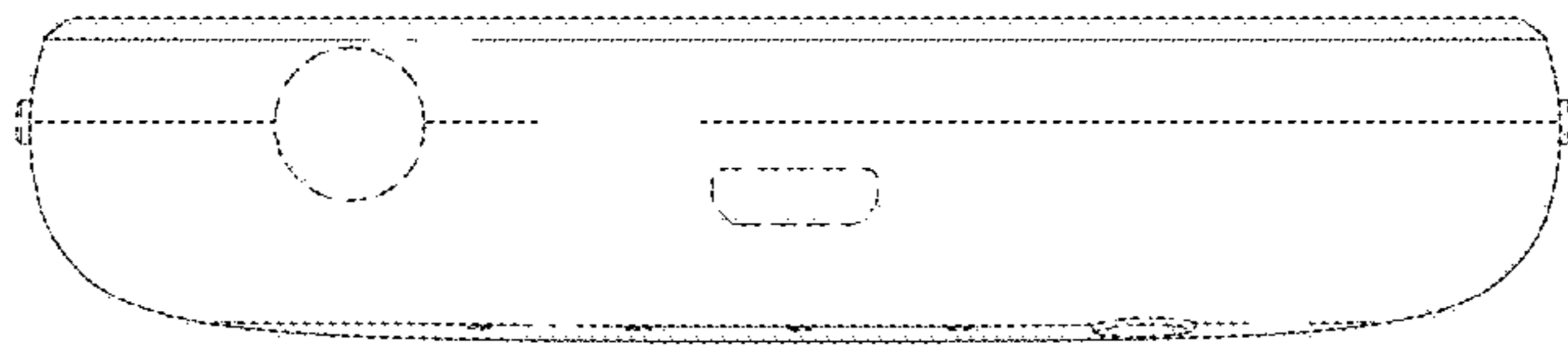


FIG. 8

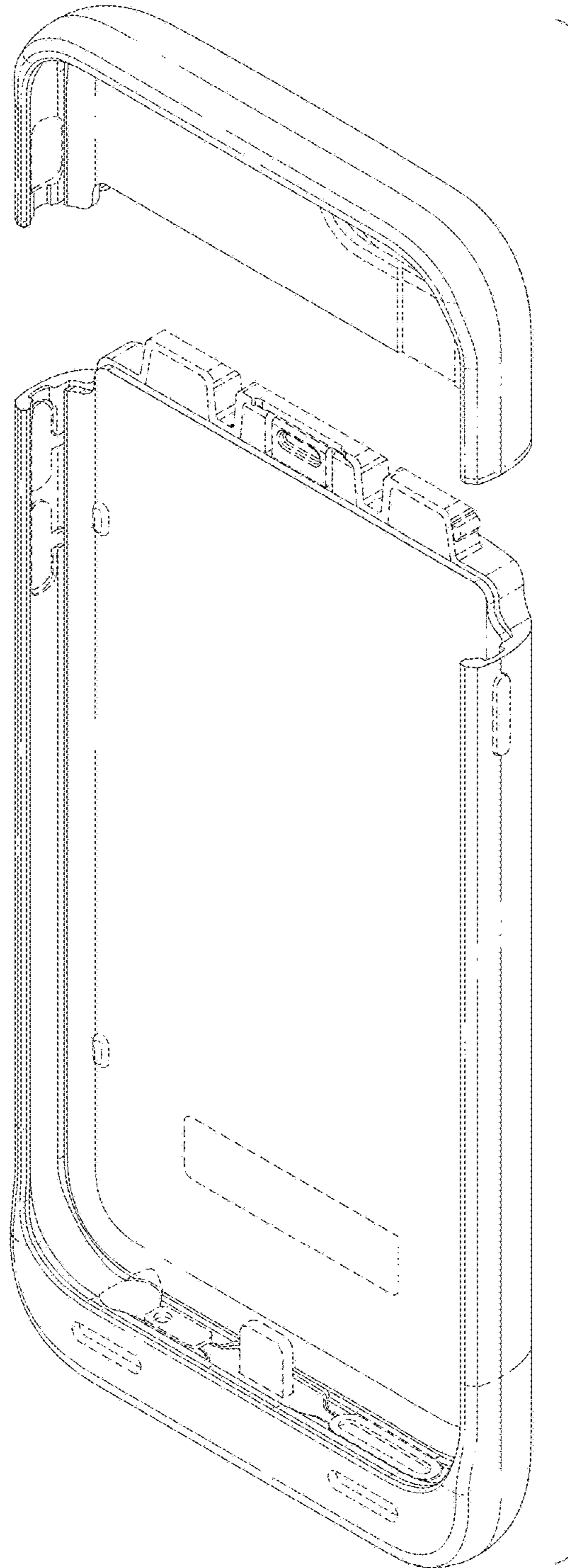


FIG. 9

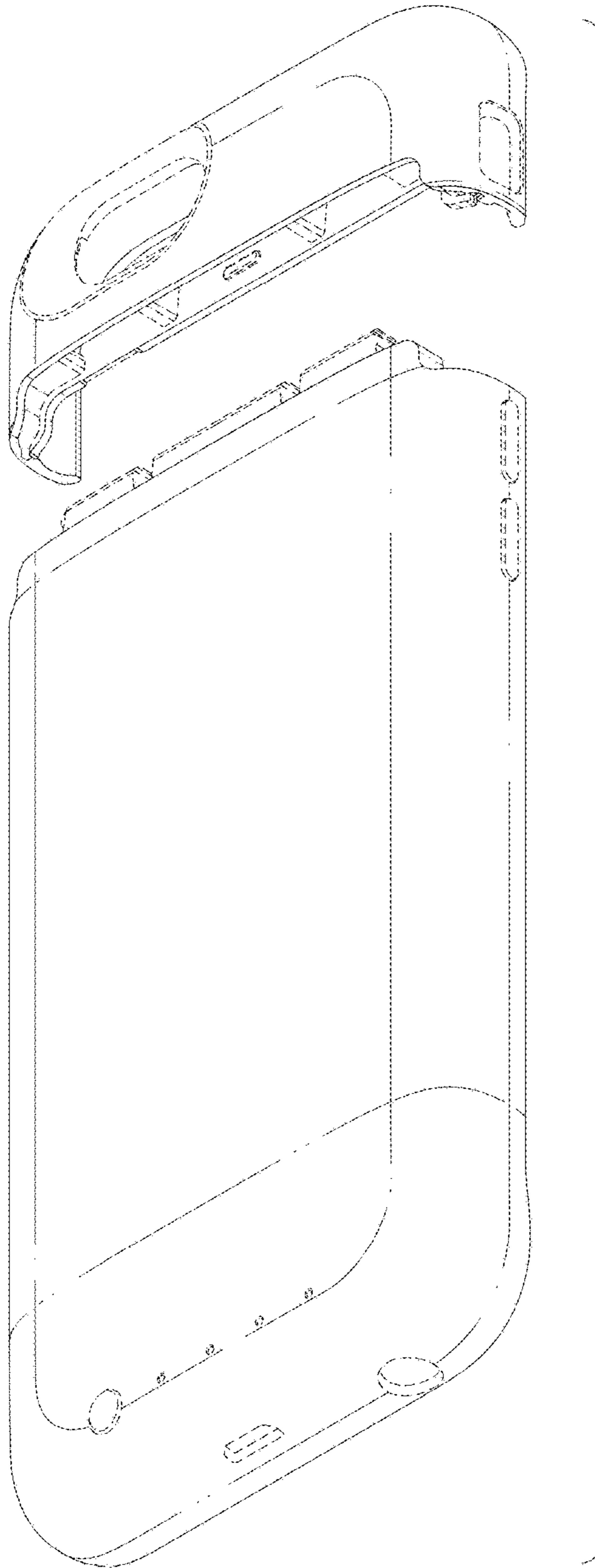


FIG. 10

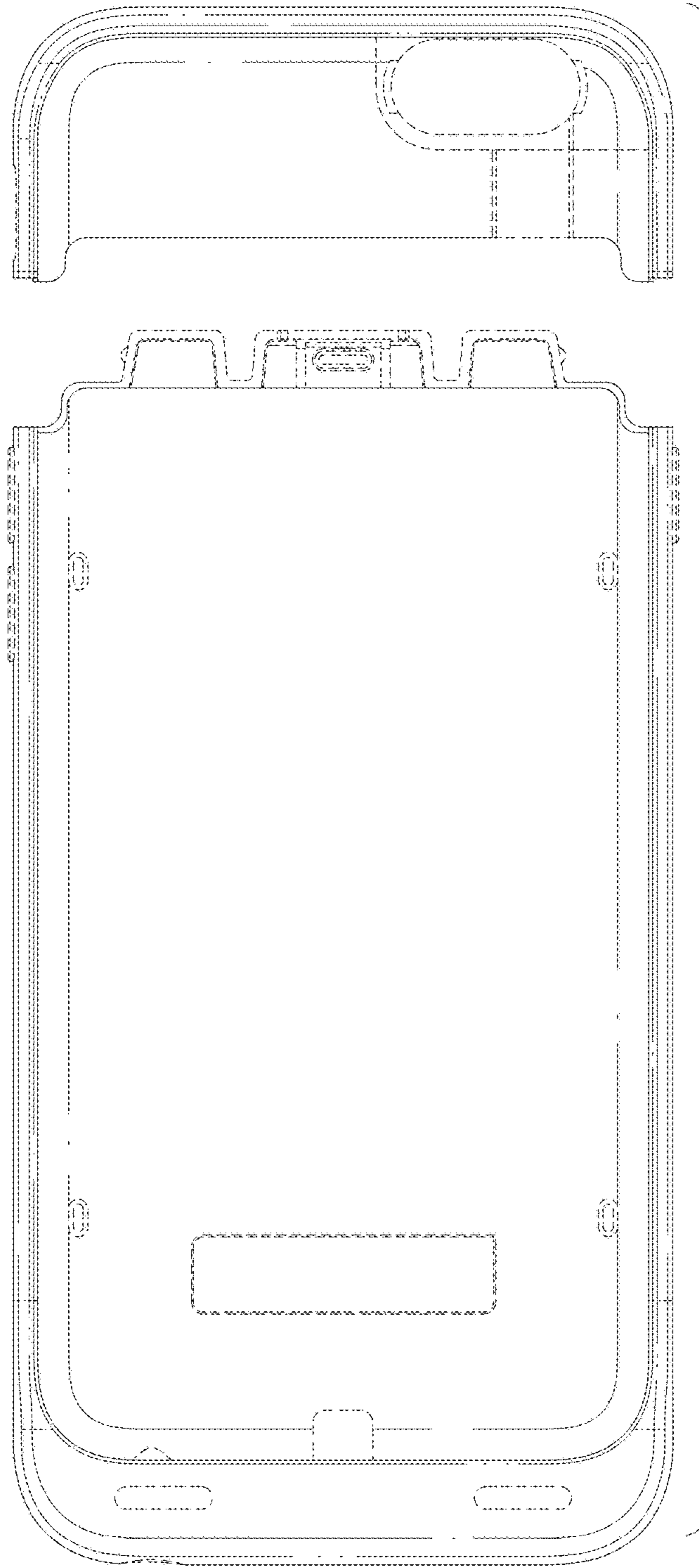


FIG. 11

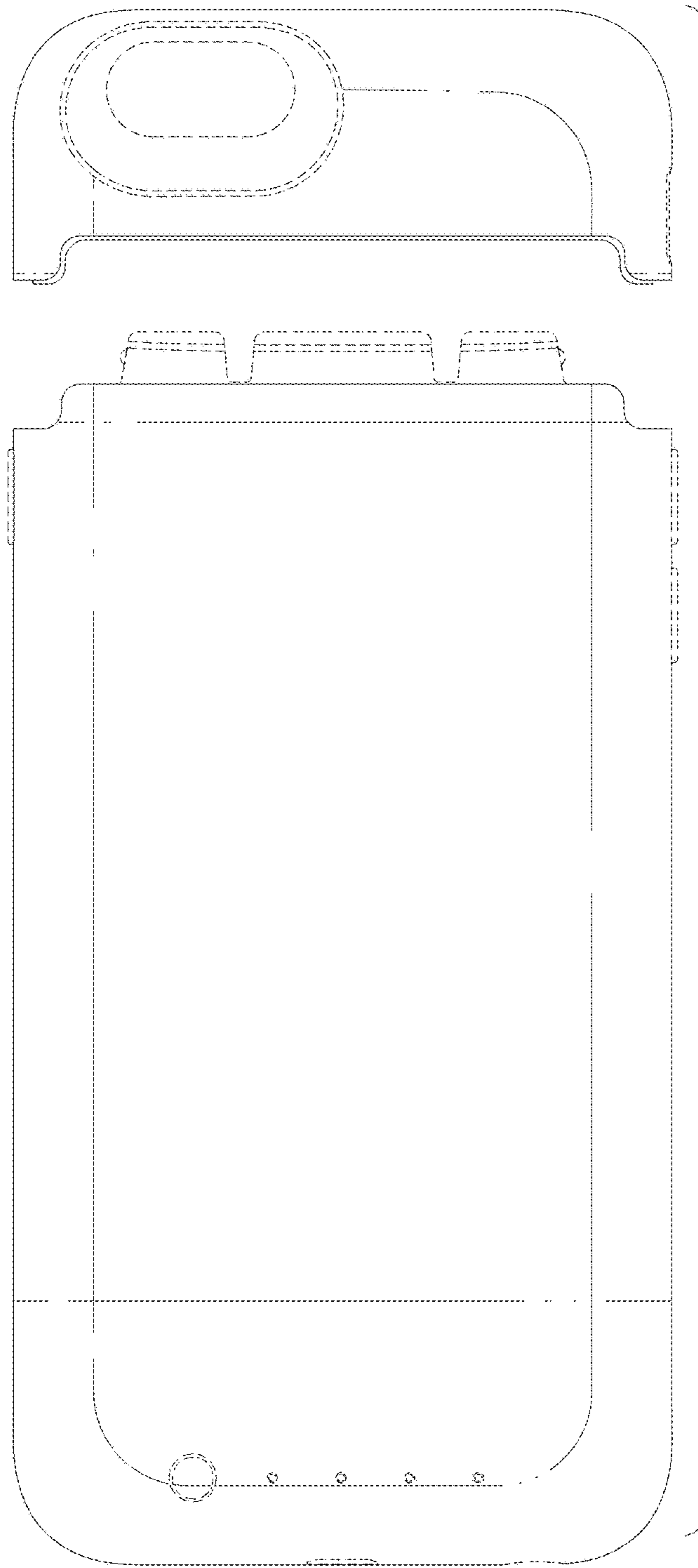


FIG. 12

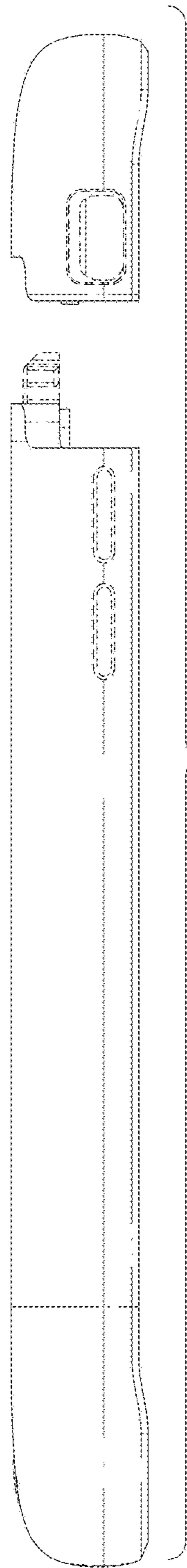


FIG. 13

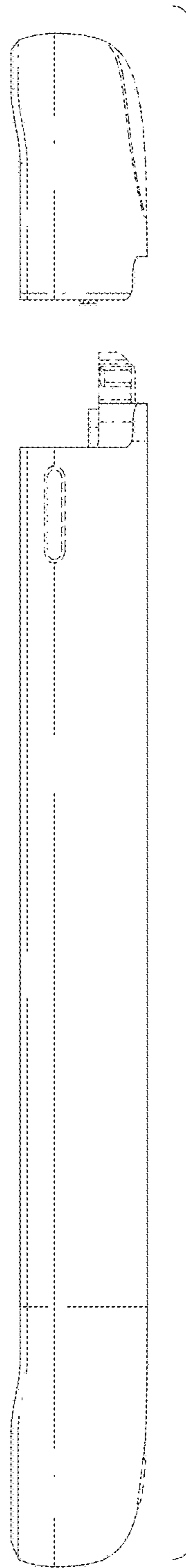


FIG. 14