



US00D855595S

(12) **United States Design Patent** (10) **Patent No.:** **US D855,595 S**
Yang (45) **Date of Patent:** **** Aug. 6, 2019**

(54) **WIRELESS DATA TERMINAL**
(71) Applicant: **Beijing ULINK Technology Co., Ltd.**,
Beijing (CN)
(72) Inventor: **Sungwook Yang**, Beijing (CN)
(73) Assignee: **BEIJING ULINK TECHNOLOGY**
CO., LTD., Beijing (CN)
(**) Term: **15 Years**
(21) Appl. No.: **29/629,195**

D694,740 S * 12/2013 Apostolakis D14/240
D700,904 S * 3/2014 Miller D13/168
D726,672 S * 4/2015 Olodort D14/138 G
D730,349 S * 5/2015 Burmeister-Brown D14/240
D743,954 S * 11/2015 Chuang D13/168
D751,538 S * 3/2016 Koehler D14/240
D766,844 S * 9/2016 Turksu D10/104.1
D770,430 S * 11/2016 Lee D14/240
D780,727 S * 3/2017 Wang D14/223
D780,729 S * 3/2017 Shin D14/242
D797,086 S * 9/2017 Lu D14/240
D806,072 S * 12/2017 Gummalla D14/358
D806,709 S * 1/2018 Gummalla D14/358
D812,577 S * 3/2018 Turksu D13/168

* cited by examiner

(22) Filed: **Dec. 12, 2017**
(30) **Foreign Application Priority Data**
Sep. 27, 2017 (CN) 2017 3 0463422
(51) **LOC (12) Cl.** **14-03**
(52) **U.S. Cl.**
USPC **D14/242**
(58) **Field of Classification Search**
USPC D14/240, 242, 357, 358, 125, 126,
D14/140-140.9
CPC H04L 12/00; H03K 17/00; H04W 88/00;
H04W 88/005; H04W 88/02; H04W
88/08; H04W 88/085; H04W 88/10;
H04W 88/12; H04W 88/14; H04B 1/38
See application file for complete search history.

Primary Examiner — Bridget L Eland
(74) *Attorney, Agent, or Firm* — Novick, Kim & Lee,
PLLC; Allen Xue; Hyun Woo Shin

(57) **CLAIM**

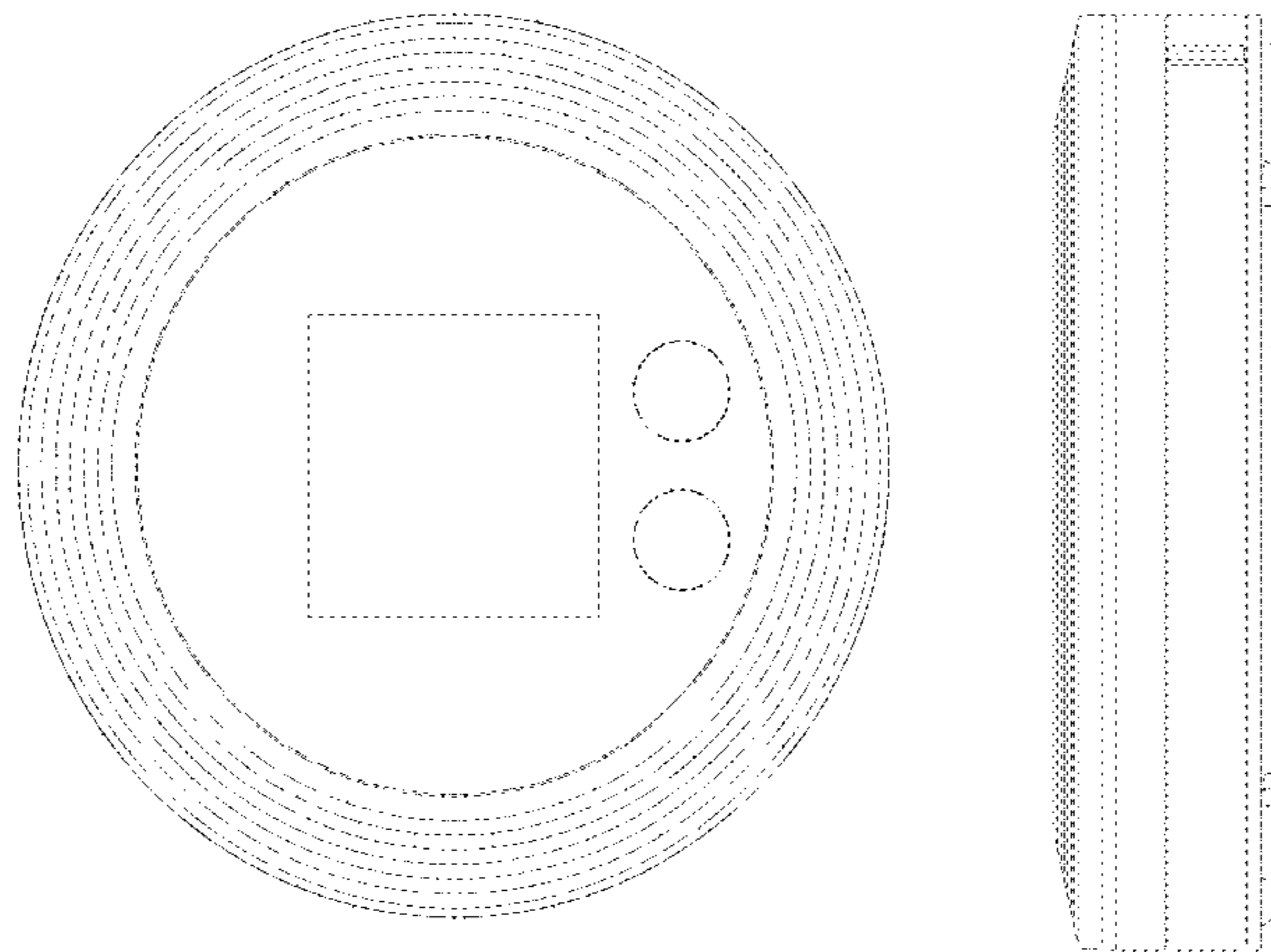
I claim the ornamental design for a wireless data terminal,
as shown and described.

DESCRIPTION

FIG. 1 is a top, front, and right side perspective view of a
wireless data terminal, showing my new design;
FIG. 2 is a bottom, rear and left side perspective view
thereof;
FIG. 3 is a front elevational view thereof;
FIG. 4 is a rear elevational view thereof;
FIG. 5 is a left side elevational view thereof;
FIG. 6 is a right side elevational view thereof;
FIG. 7 is a top plan view thereof; and,
FIG. 8 is a bottom plan view thereof.

(56) **References Cited**
U.S. PATENT DOCUMENTS
D407,985 S * 4/1999 Pimentel D10/104.2
D453,329 S * 2/2002 Muramatsu D14/230
D658,640 S * 5/2012 Ivaskevicius D14/242

1 Claim, 8 Drawing Sheets



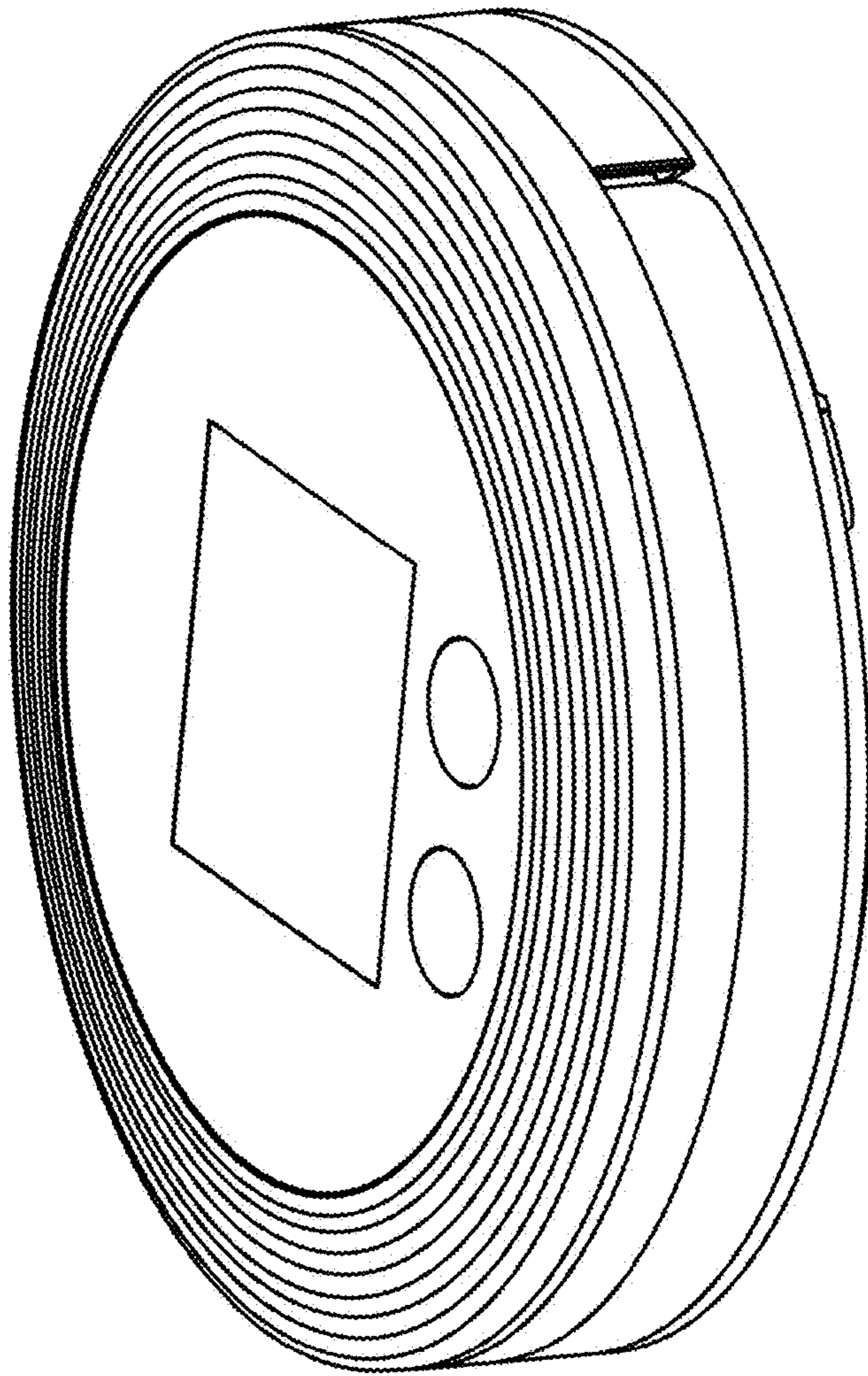


Fig. 1

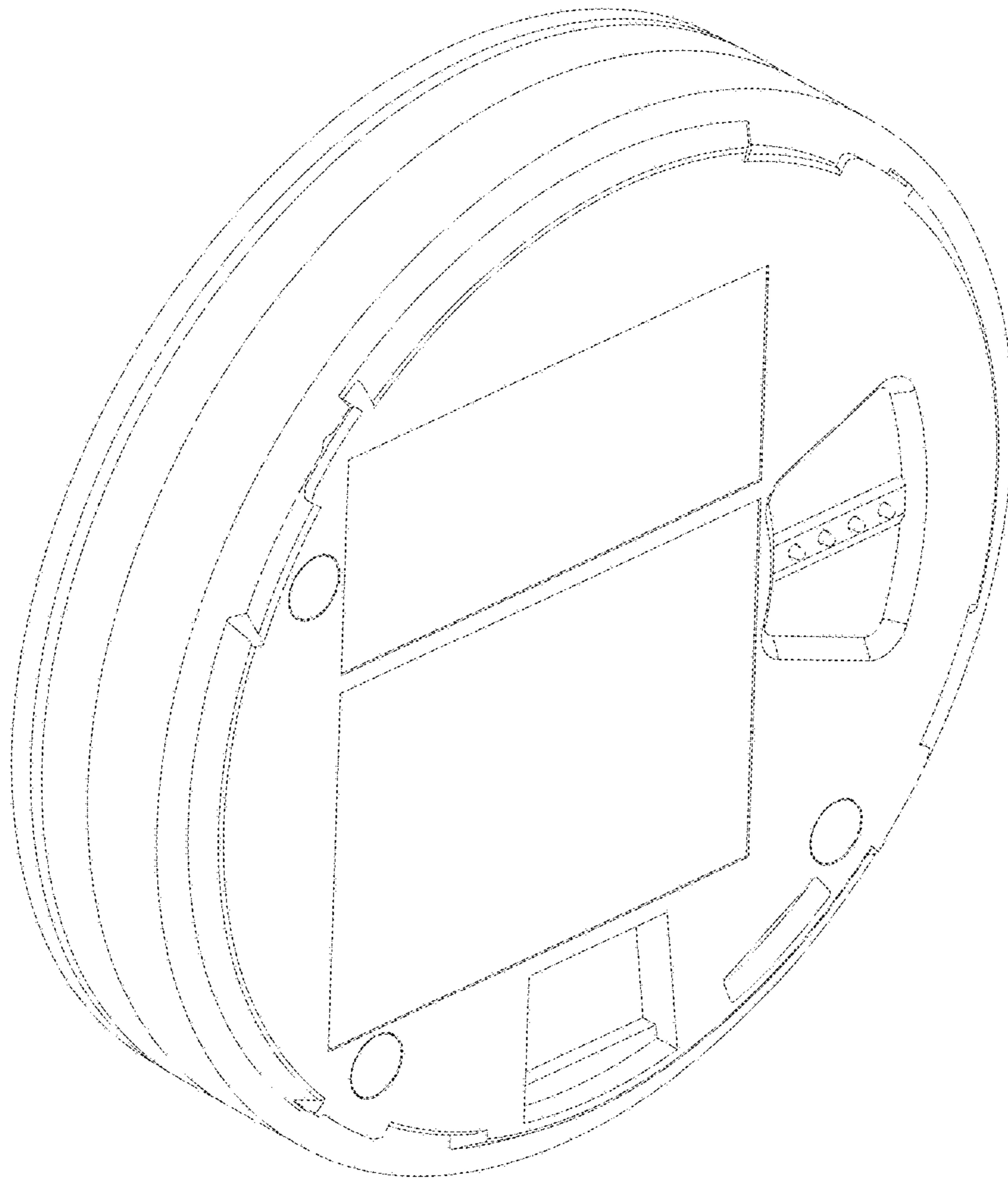


Fig. 2

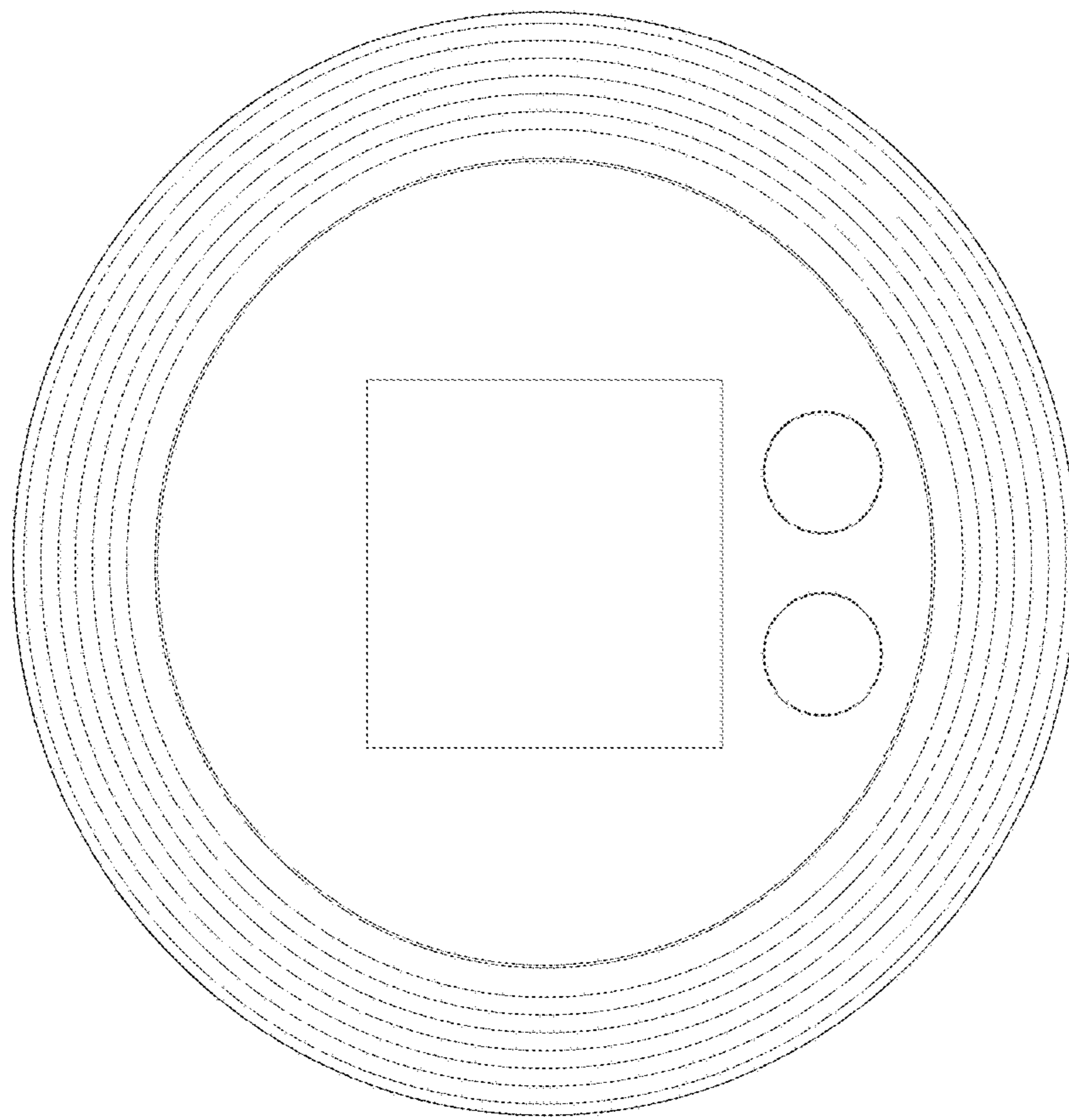


Fig. 3

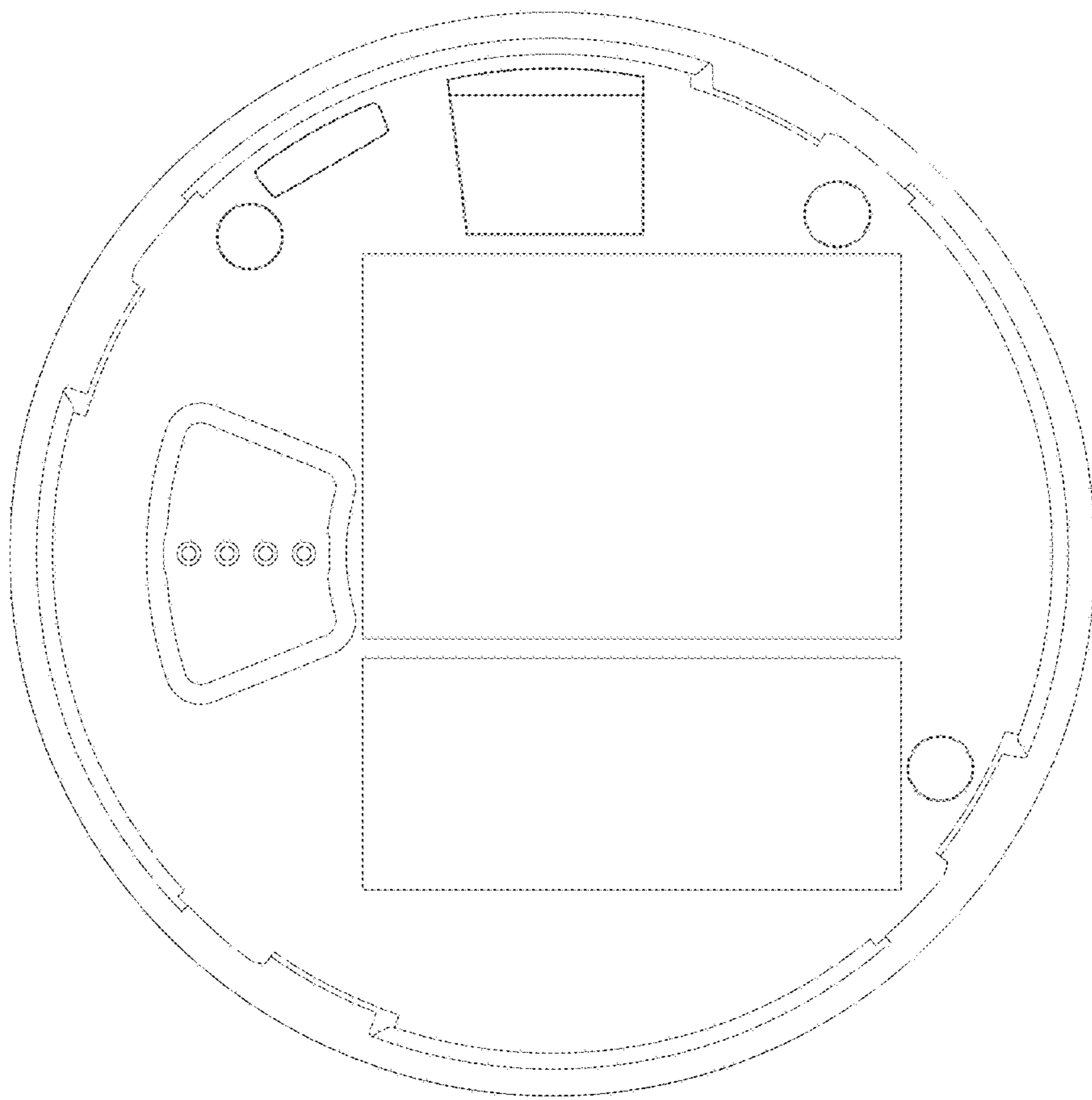


Fig. 4

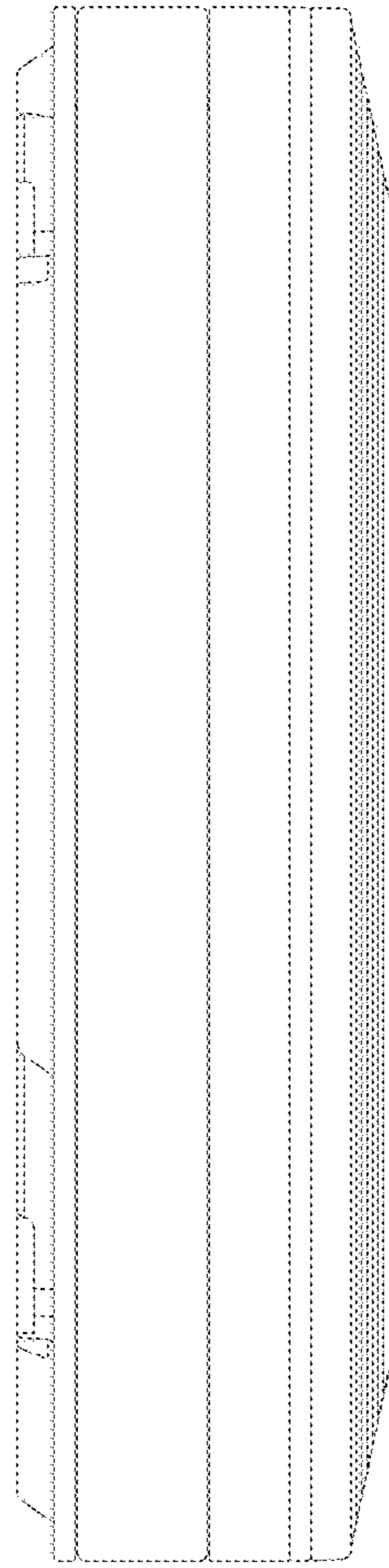


Fig. 5

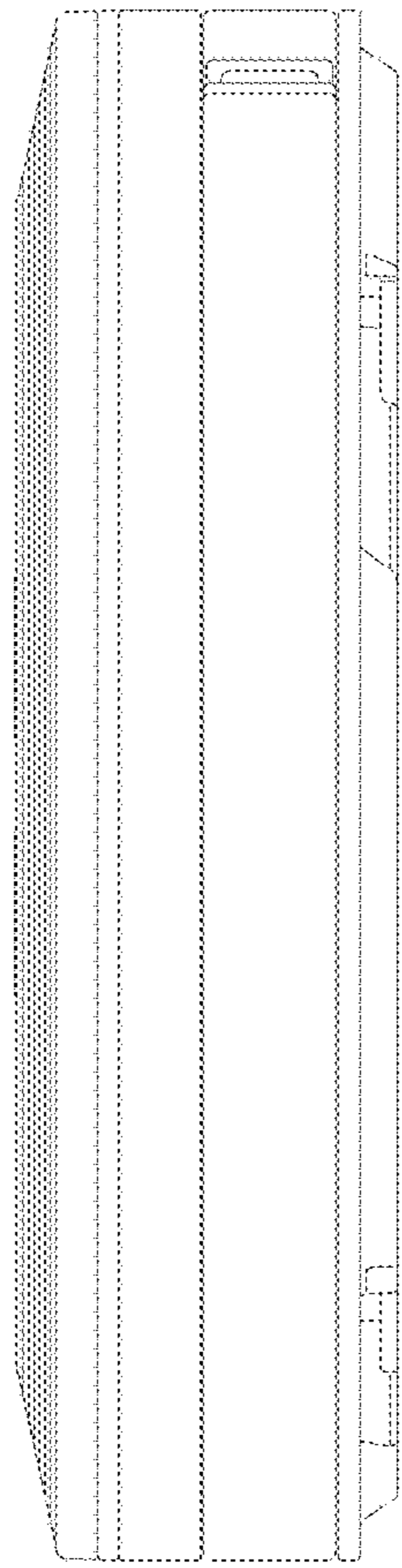


Fig. 6

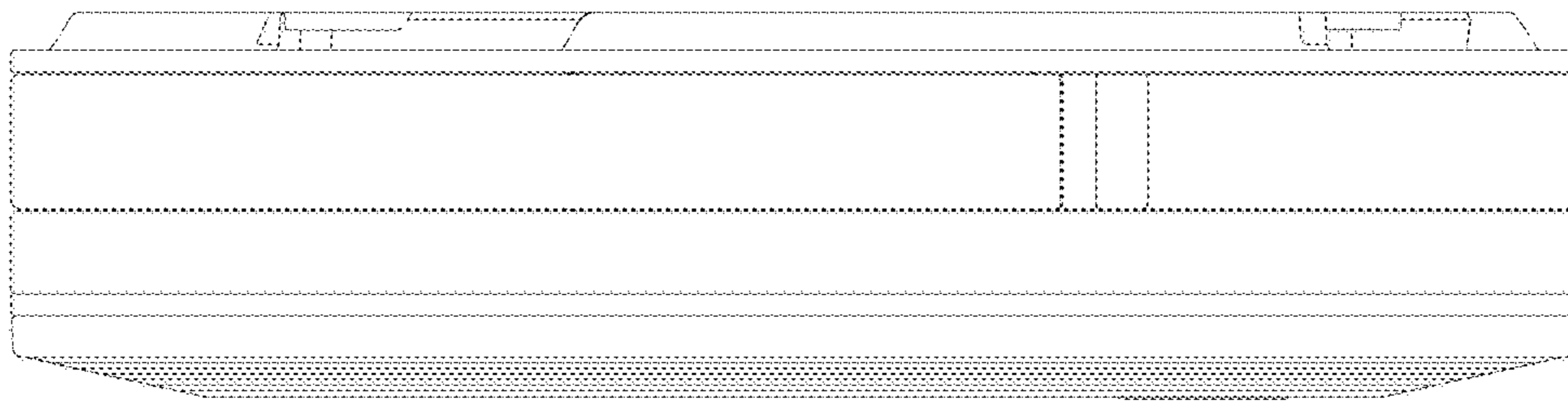


Fig. 7

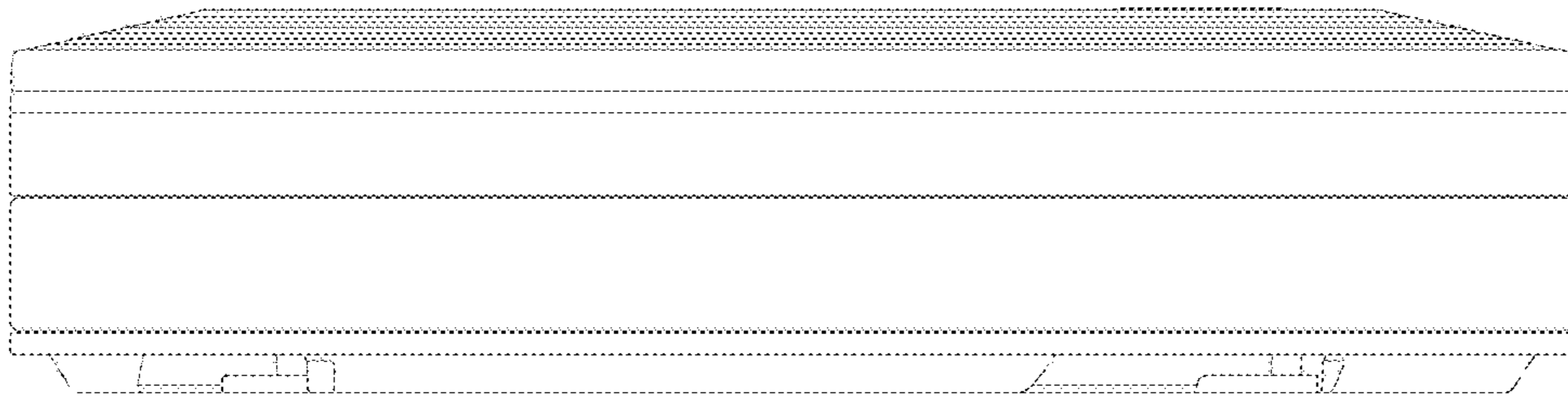


Fig. 8