



US00D855594S

(12) **United States Design Patent**
Lehman et al.

(10) **Patent No.:** **US D855,594 S**
(45) **Date of Patent:** **** Aug. 6, 2019**

(54) **NETWORKING DEVICE**

FOREIGN PATENT DOCUMENTS

(71) Applicant: **Starry, Inc.**, Boston, MA (US)

CN 304261412 * 8/2017

(72) Inventors: **Donald Lehman**, Brooklyn, NY (US);
Chaitanya Kanojia, West Newton, MA (US);
Alex Moulle-Berteaux, Brooklyn, NY (US)

OTHER PUBLICATIONS

Amazon. <URL: https://www.amazon.com/NETGEAR-Whole-System-Tri-band-plug/dp/B072ZN4PSB/ref=sr_1_1_sspa?ie=UTF8&qid=1517515522&sr=8-1-spons&keywords=NETGEAR+Orbi+Home+WiFi+System&psc=1> Jun. 19, 2017. NETGEAR Orbi Home WiFi System.*

(73) Assignee: **STARRY, INC.**, Boston, MA (US)

(**) Term: **15 Years**

* cited by examiner

(21) Appl. No.: **29/552,904**

(22) Filed: **Jan. 27, 2016**

Primary Examiner — Susan Bennett Hattan

Assistant Examiner — Lauren D McVey

(51) **LOC (12) Cl.** **14-03**

(74) *Attorney, Agent, or Firm* — HoustonHogle LLP

(52) **U.S. Cl.**

USPC **D14/240**

(58) **Field of Classification Search**

USPC D14/242, 240, 355, 357, 358, 125,
D14/140–140.9, 155, 137, 139, 243, 239,
D14/433, 496, 188, 348, 351, 356

CPC H04L 12/00; H03K 17/00; H04W 88/00;
H04W 88/005; H04W 88/02; H04W
88/08; H04W 88/085; H04W 88/10;
H04W 88/12; H04W 88/14; H04B 1/38

See application file for complete search history.

(57) **CLAIM**

The ornamental design for a networking device, as shown and described.

DESCRIPTION

FIG. 1 is a first perspective view of a networking device showing our new design;

FIG. 2 is a second perspective view thereof;

FIG. 3 is a third perspective view thereof;

FIG. 4 is a front elevation view thereof;

FIG. 5 is a rear elevation view thereof;

FIG. 6 is a right elevation side view thereof;

FIG. 7 is a left elevation side view thereof;

FIG. 8 is a top elevation view thereof; and,

FIG. 9 is a bottom elevation view thereof.

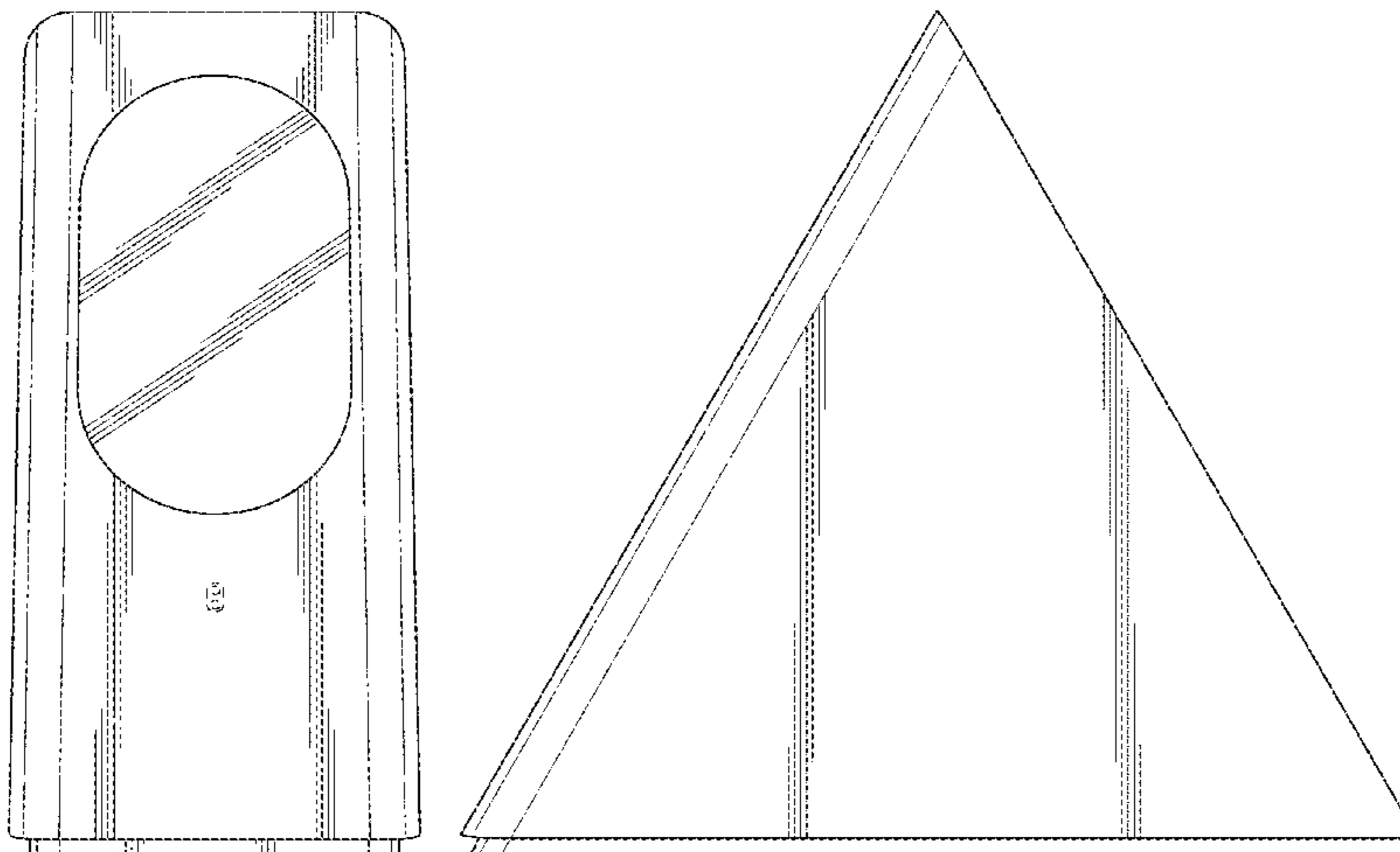
The broken lines that are immediately adjacent to the claim, and define unshaded regions, depict the bounds of the claim and are not included in the claim, while all other broken lines are directed to environment; the broken lines form no part of the claimed design.

(56) **References Cited**

U.S. PATENT DOCUMENTS

D438,858 S *	3/2001	del Castillo	D14/188
D507,263 S *	7/2005	Narita	D14/240
D594,438 S *	6/2009	Wada	D14/149
D687,010 S *	7/2013	McManigal	D14/188
D700,888 S *	3/2014	Serfoss	D13/108
D716,757 S *	11/2014	Kang	D14/204
D746,788 S *	1/2016	McPherson	D14/188
D752,564 S *	3/2016	Olivier	D14/242
D752,565 S *	3/2016	Olivier	D14/242
D754,109 S *	4/2016	Kelly	D14/240
D763,806 S *	8/2016	Sharma	D13/182
D768,595 S *	10/2016	Wise	D14/188
D784,307 S *	4/2017	Yoon	D14/240

1 Claim, 9 Drawing Sheets



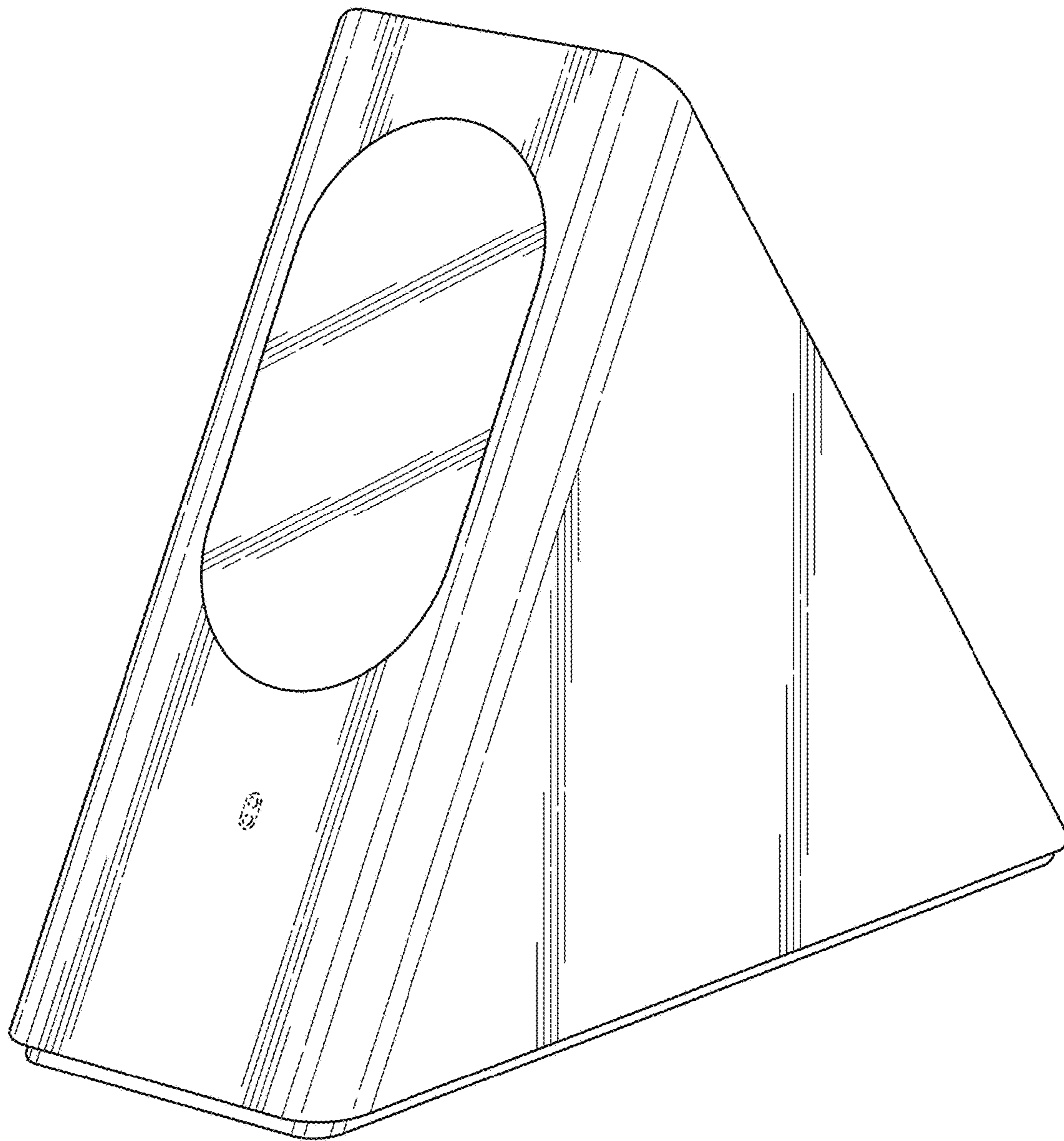


FIG. 1

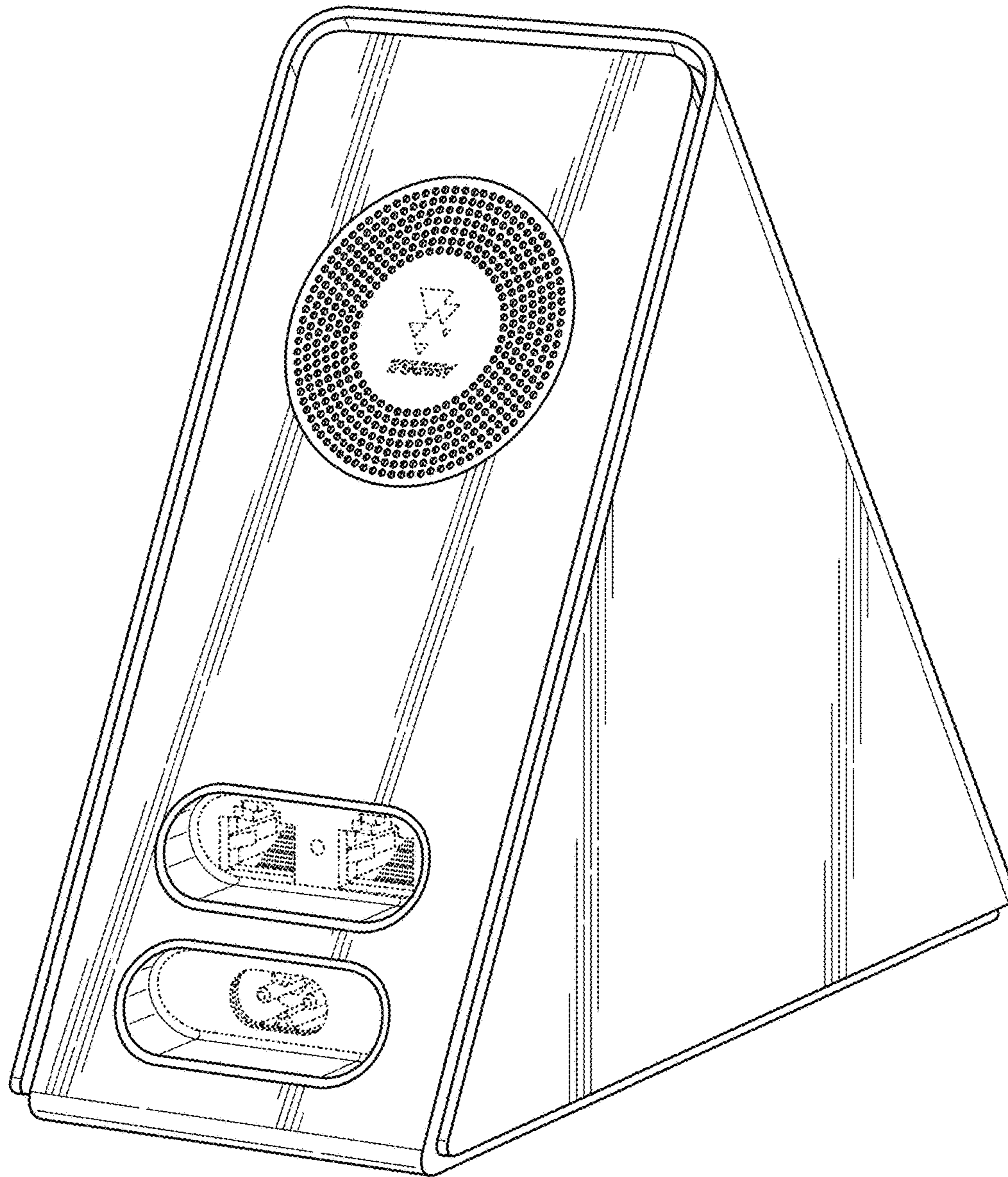


FIG. 2

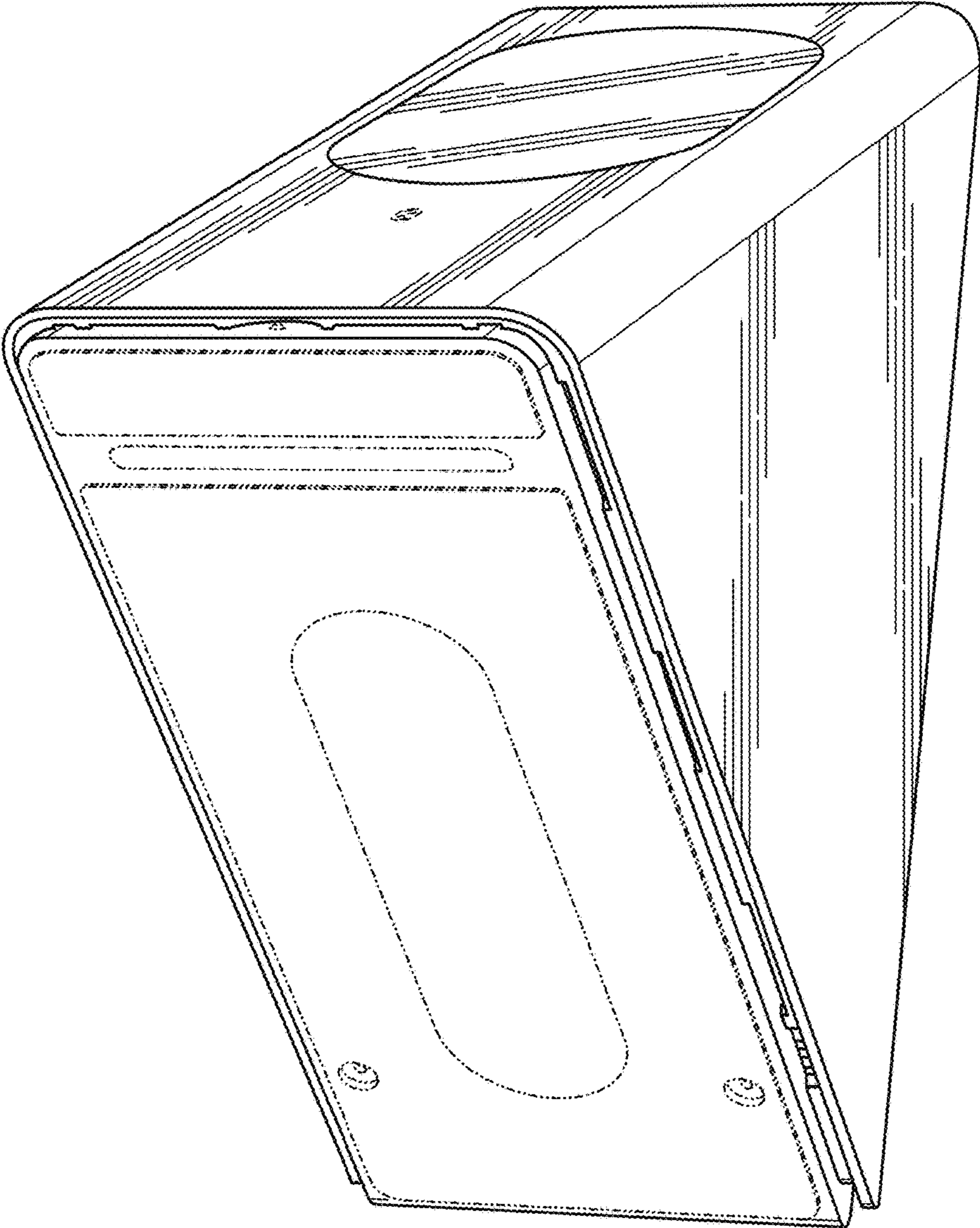


FIG. 3

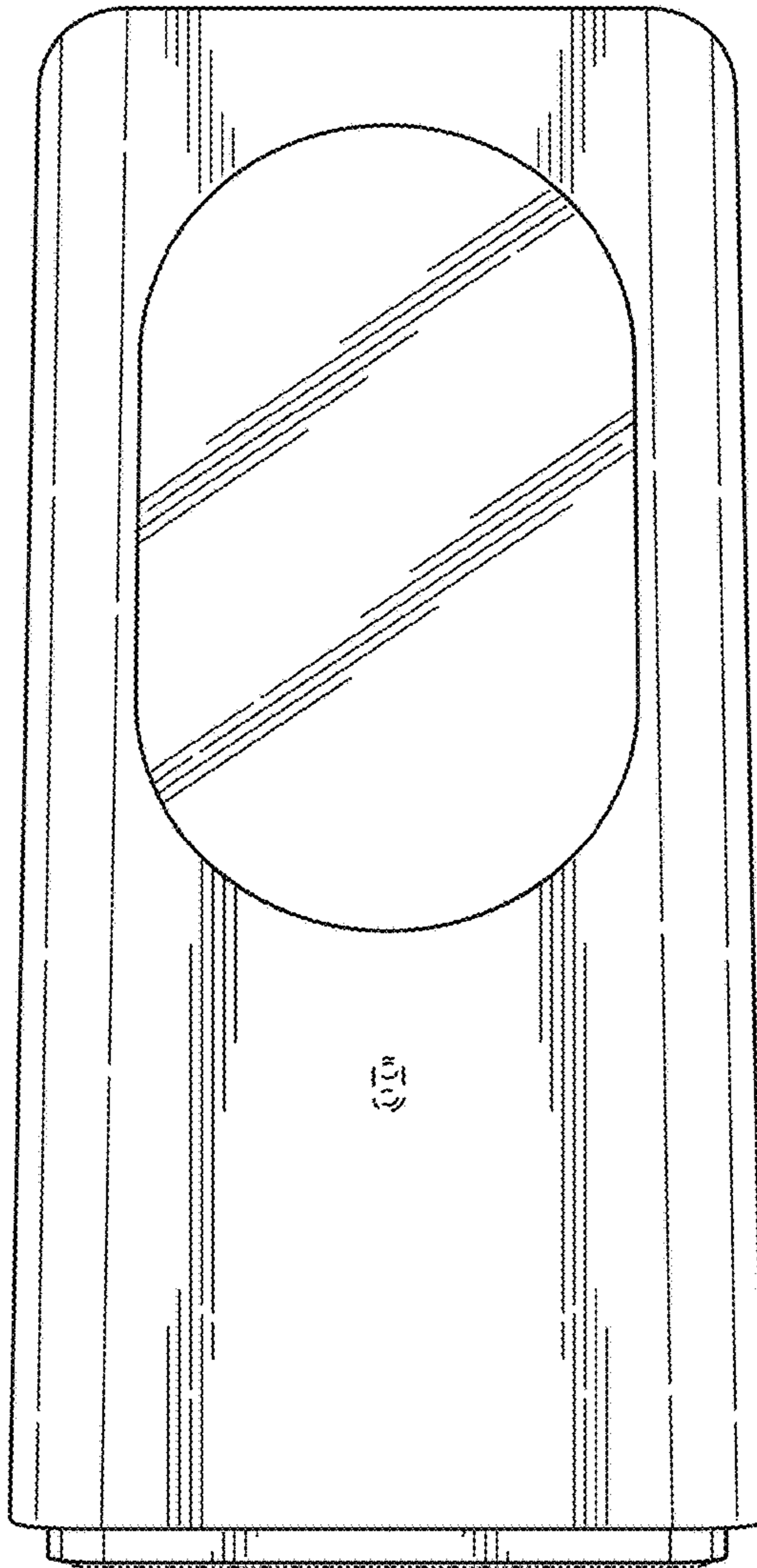


FIG. 4

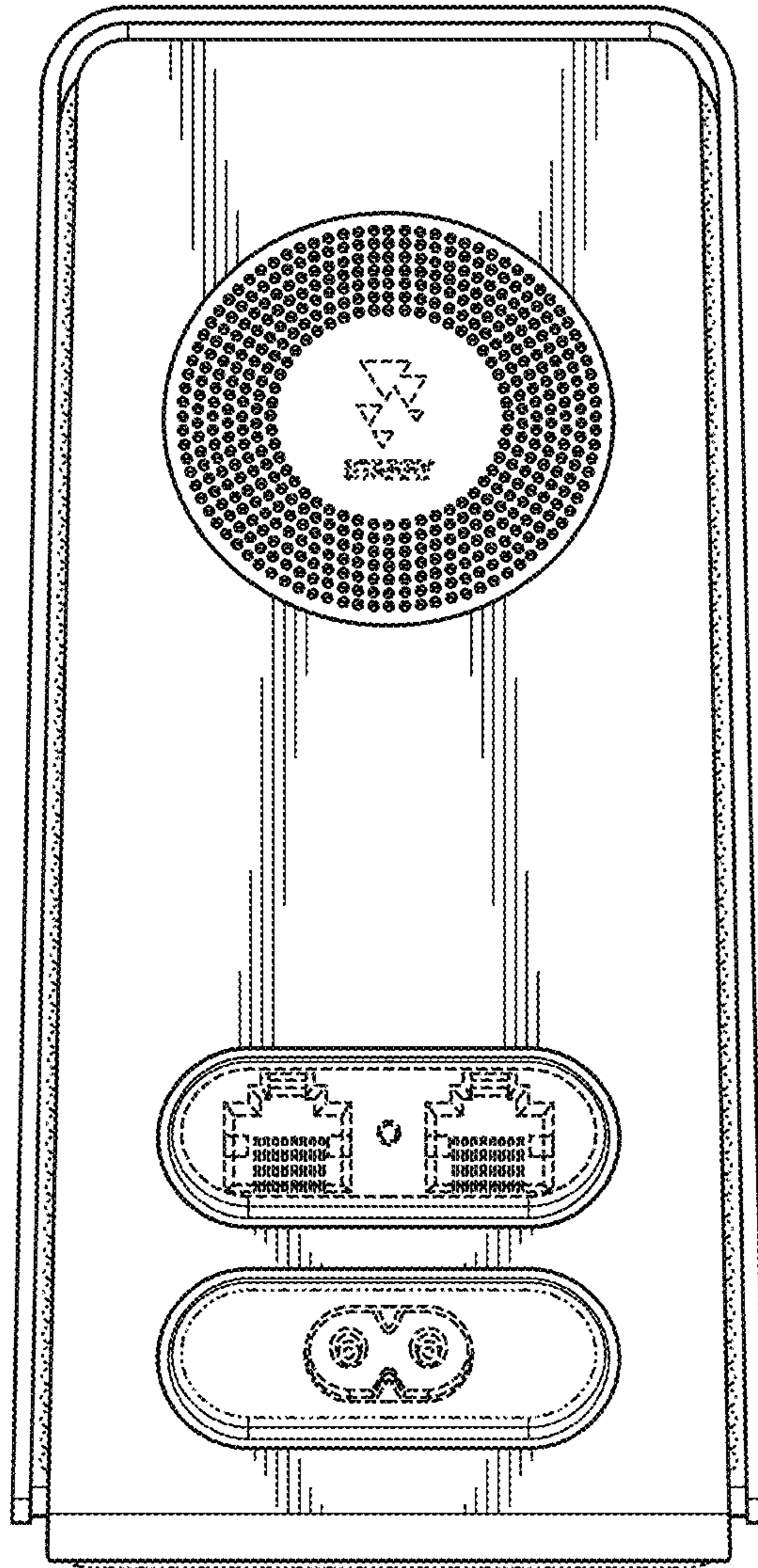


FIG. 5

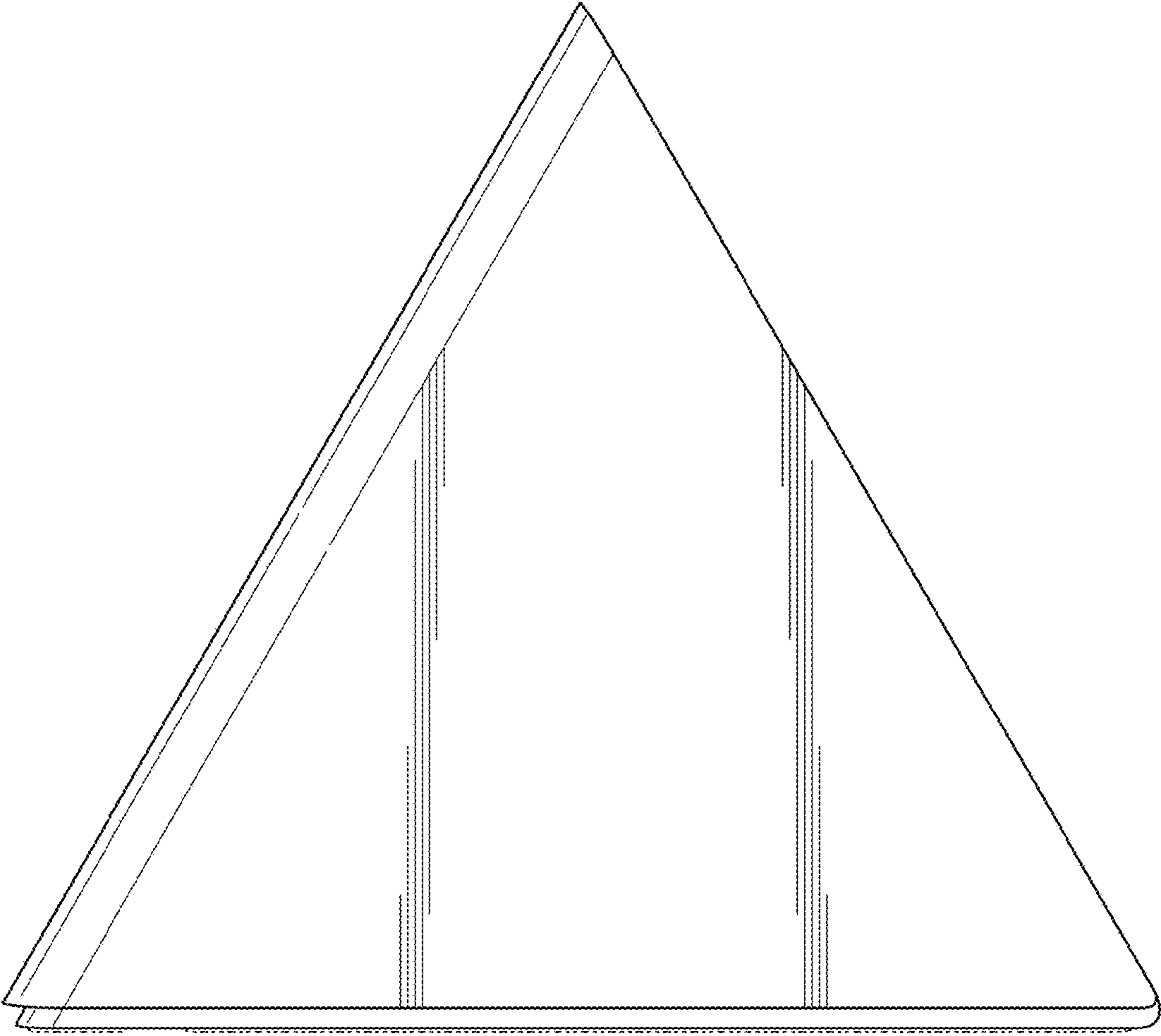


FIG. 6

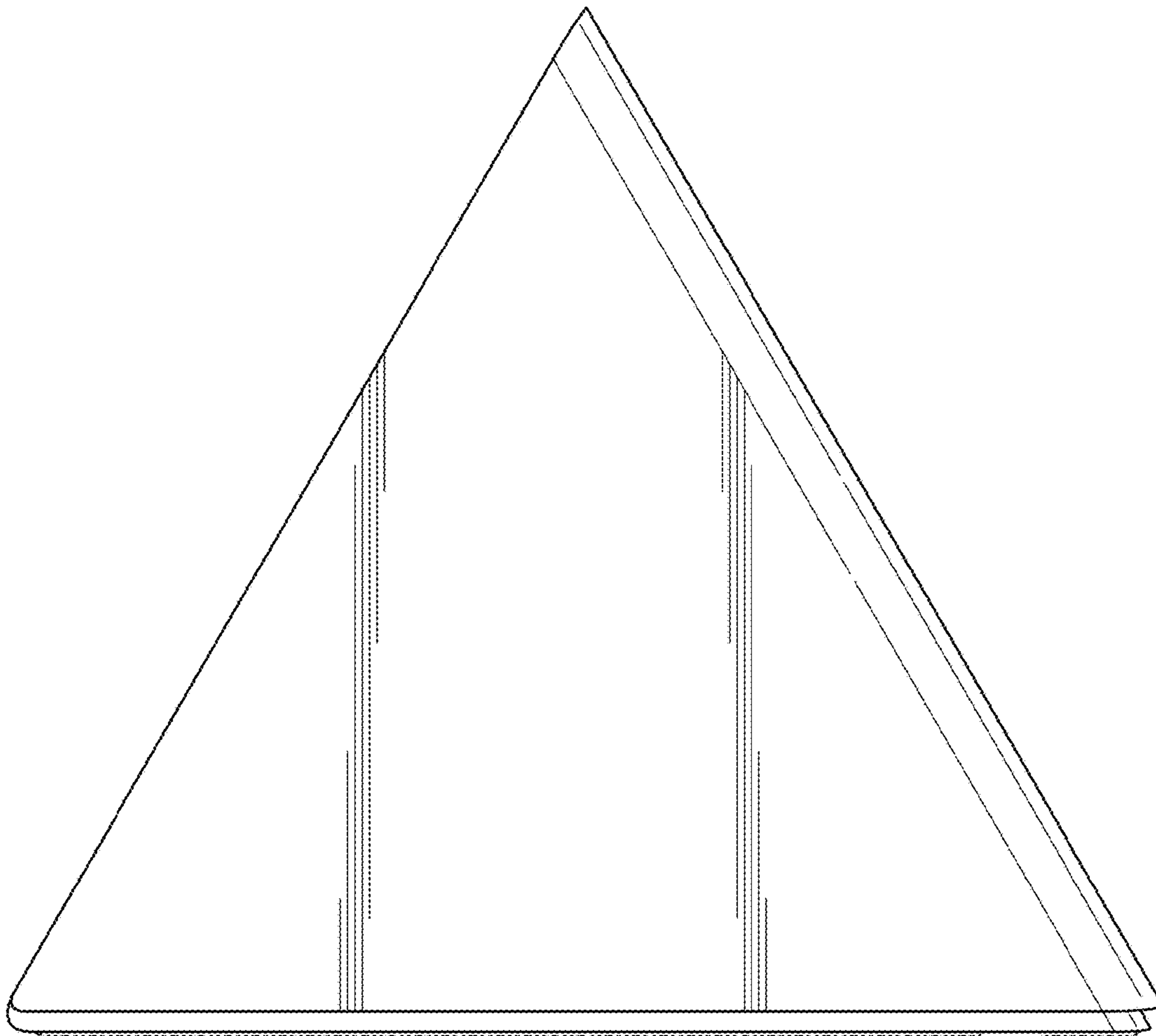


FIG. 7

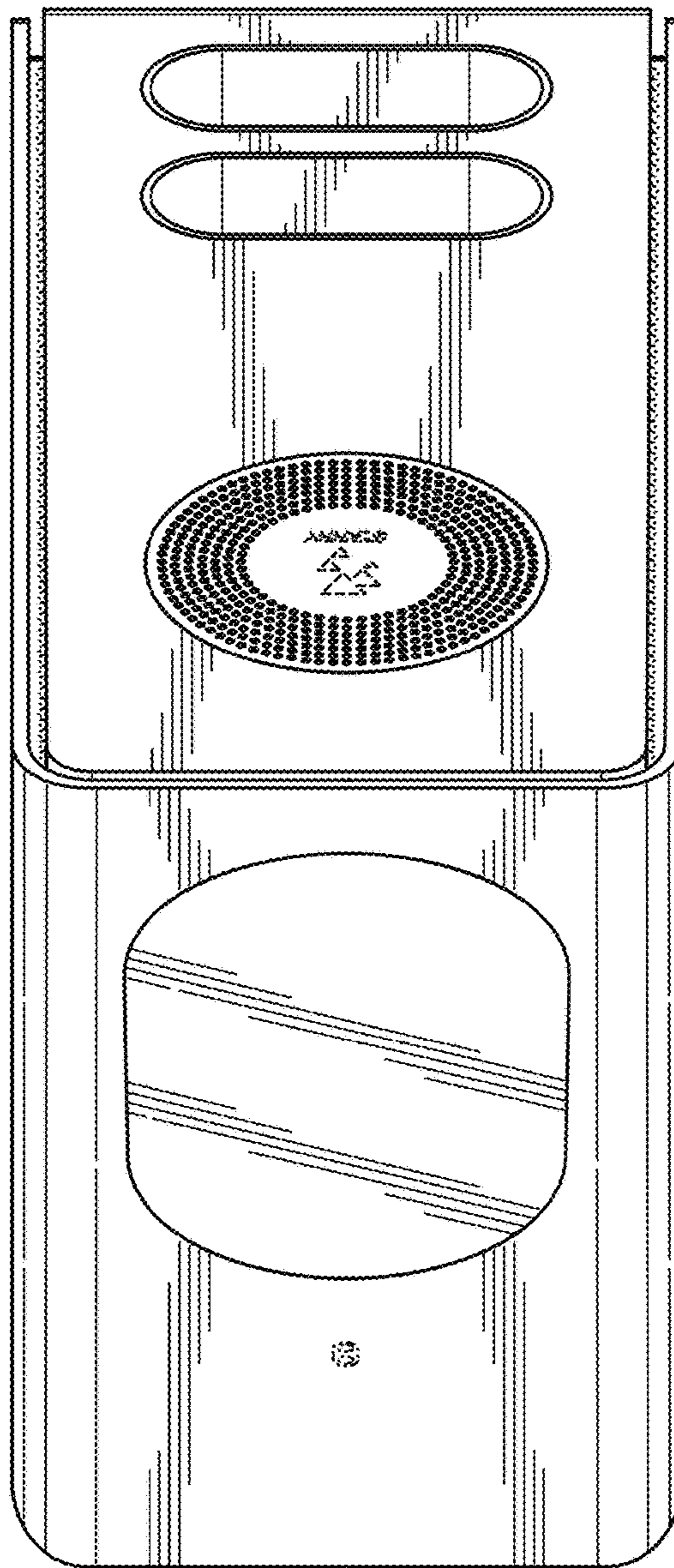


FIG. 8

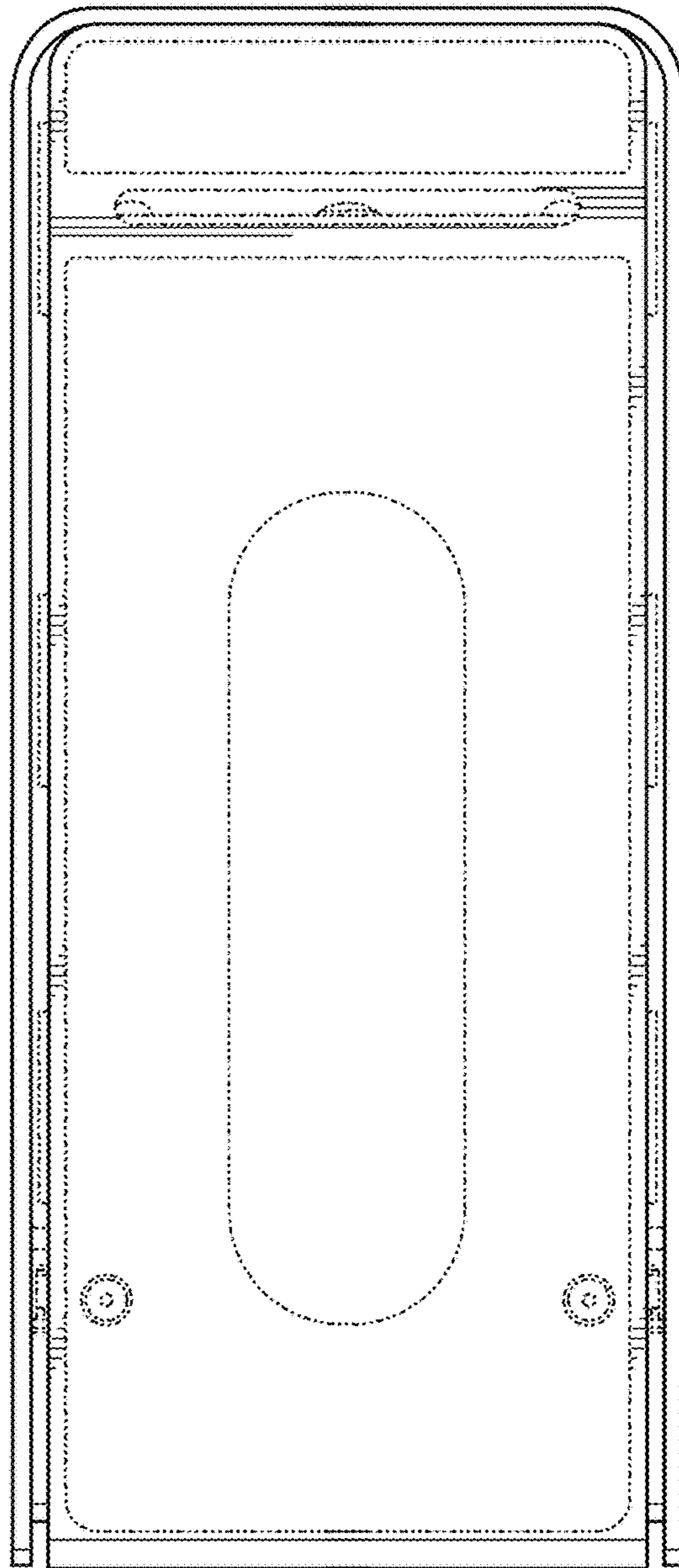


FIG. 9