



US00D855592S

(12) **United States Design Patent**
Wu

(10) **Patent No.:** **US D855,592 S**

(45) **Date of Patent:** **** Aug. 6, 2019**

(54) **TV ANTENNA**

(71) Applicant: **Fang Wu**, Guangdong (CN)

(72) Inventor: **Fang Wu**, Guangdong (CN)

(**) Term: **15 Years**

(21) Appl. No.: **29/653,458**

(22) Filed: **Jun. 15, 2018**

(51) **LOC (12) Cl.** **14-03**

(52) **U.S. Cl.**
USPC **D14/230**

(58) **Field of Classification Search**
USPC D14/230-238, 203.6, 204, 216, 221,
D14/238.1, 240, 242, 299, 343, 358, 509;
D13/182
CPC H01Q 7/00; H01Q 13/10; H01Q 9/285;
H01Q 19/30; H01Q 19/12; H01Q 1/36;
H01Q 1/38; H01Q 1/0475; H01Q 1/034;
H05K 11/00; G05D 1/0234; G06K
19/07749

See application file for complete search history.

(56) **References Cited**

U.S. PATENT DOCUMENTS

D211,179 S * 5/1968 Rosenberry et al. D14/234
7,439,926 B2 * 10/2008 Mikami H01Q 7/00
343/789

D612,371 S * 3/2010 Suleiman D14/234
D623,175 S * 9/2010 Suleiman D14/230
D656,131 S * 3/2012 Suleiman D14/230
D665,385 S * 8/2012 Conrad D14/230
D754,641 S * 4/2016 Suleiman D14/230
D806,689 S * 1/2018 Deng D14/234
D829,695 S * 10/2018 Wu D14/230

* cited by examiner

Primary Examiner — John Windmuller

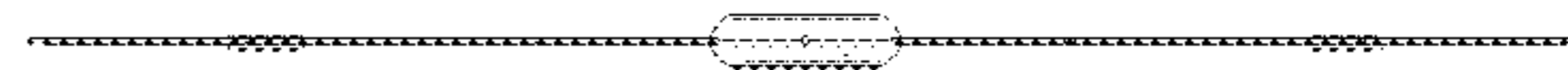
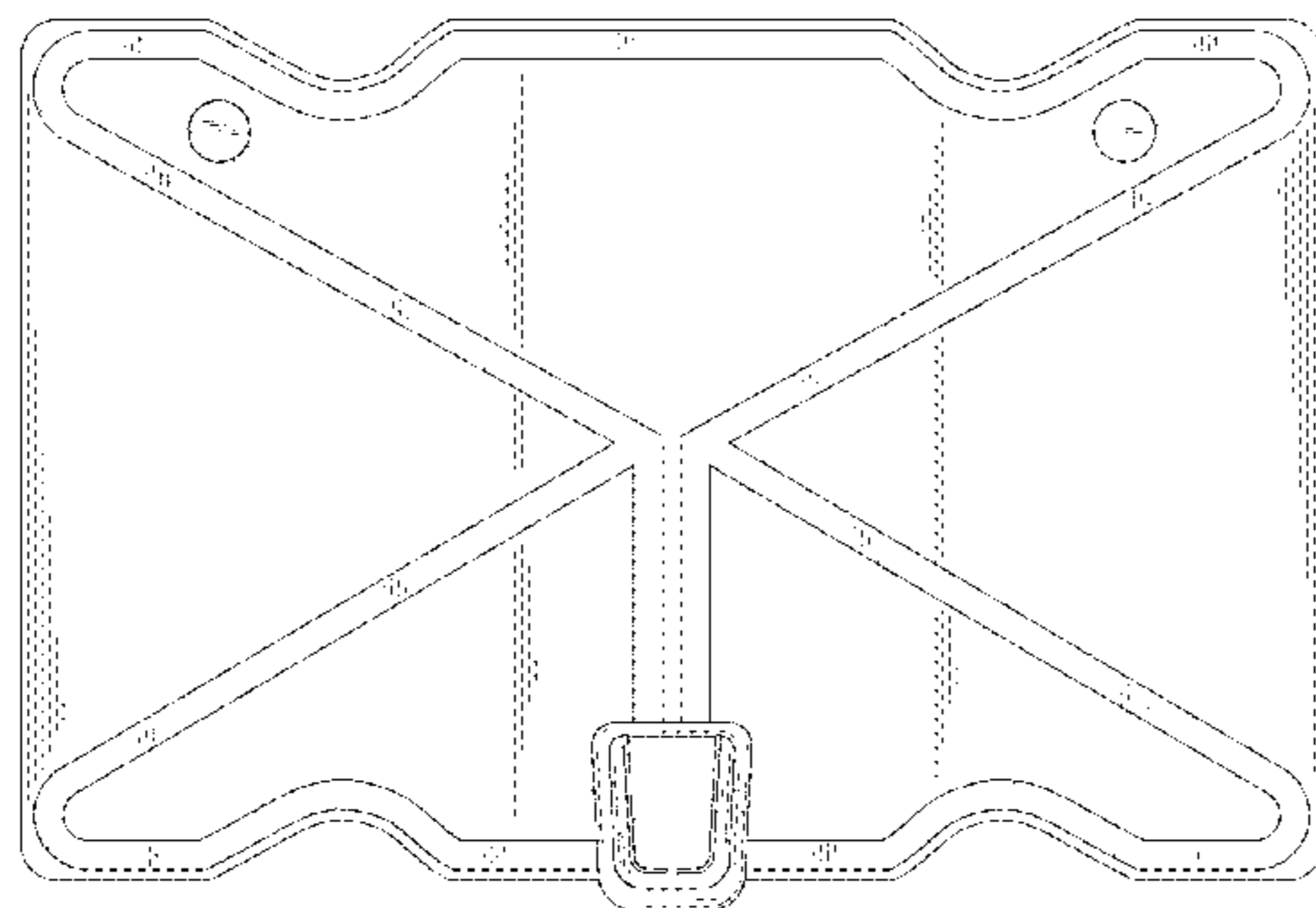
(57) **CLAIM**

The ornamental design for a TV antenna, as shown and described.

DESCRIPTION

FIG. 1 is a top, front and right side perspective view of a TV antenna showing my new design;
FIG. 2 is a bottom, rear and left side perspective view thereof;
FIG. 3 is a front elevational view thereof;
FIG. 4 is a rear elevational view thereof;
FIG. 5 is a left side view thereof;
FIG. 6 is a top plan view thereof;
FIG. 7 is a bottom plan view thereof;
FIG. 8 is an enlarged view of portion 8 in FIG. 1;
FIG. 9 is an enlarged view of portion 9 in FIG. 2;
FIG. 10 is an enlarged view of portion 10 in FIG. 5; and,
FIG. 11 is an enlarged view of portion 11 in FIG. 6.

1 Claim, 11 Drawing Sheets



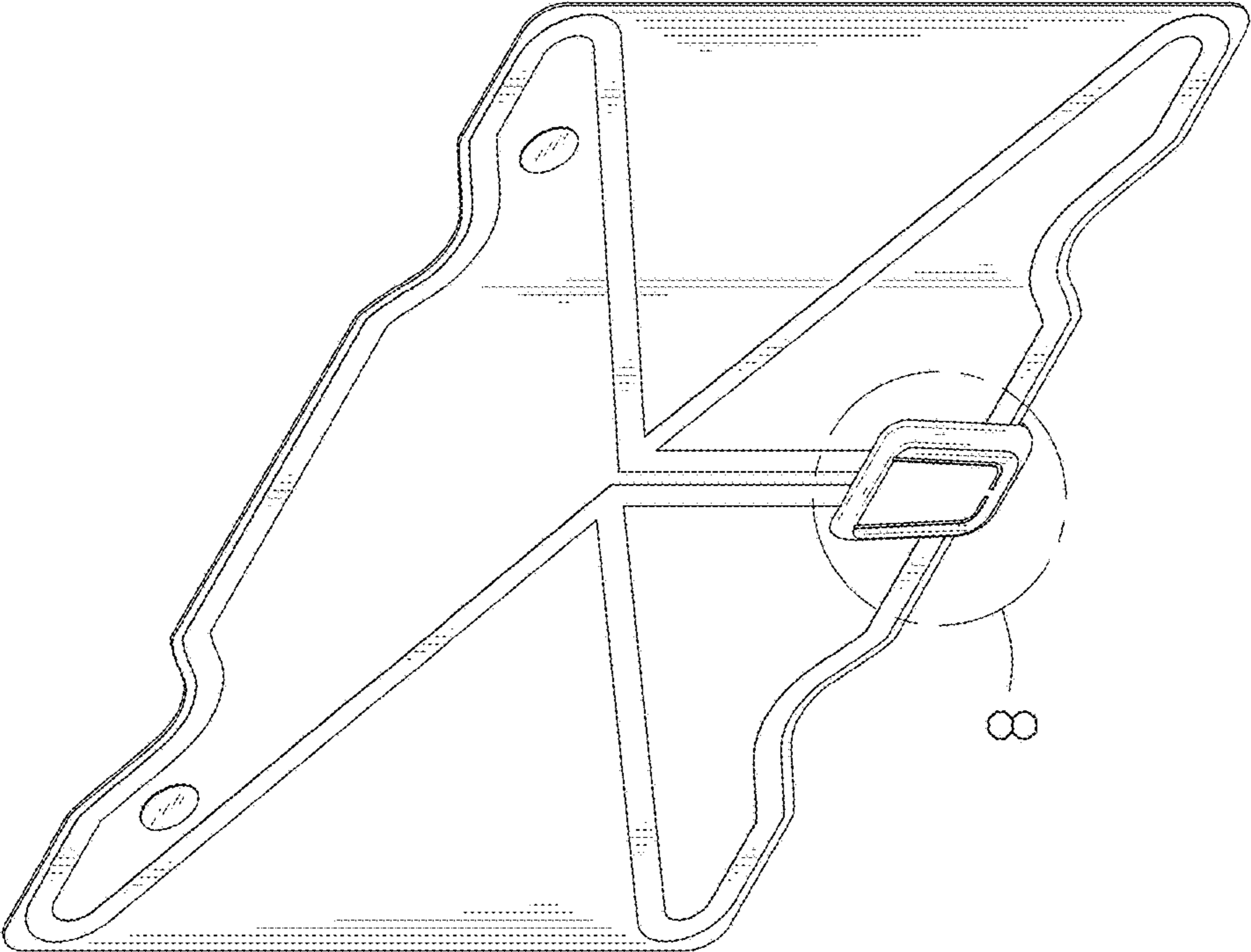


FIG. 1

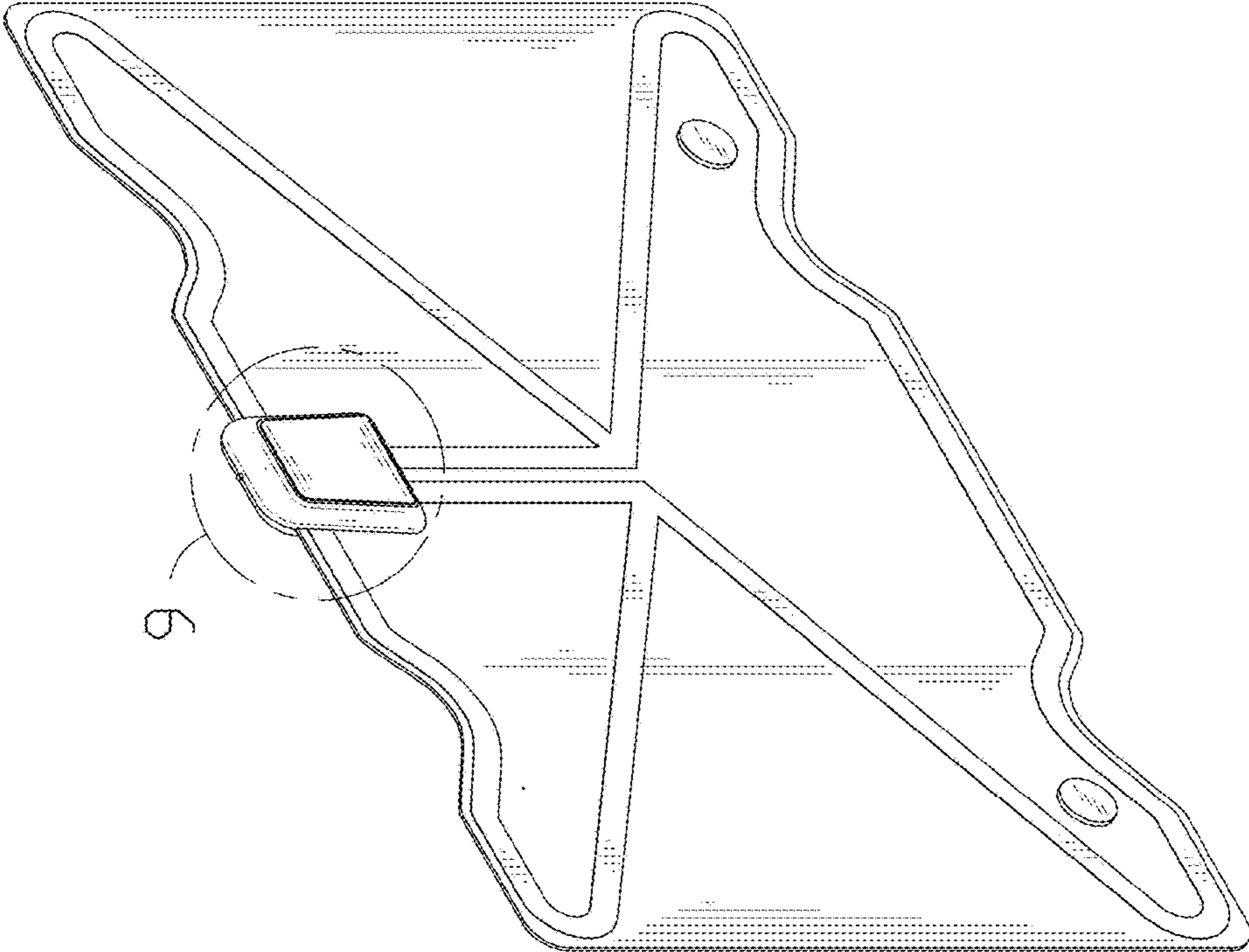


FIG. 2

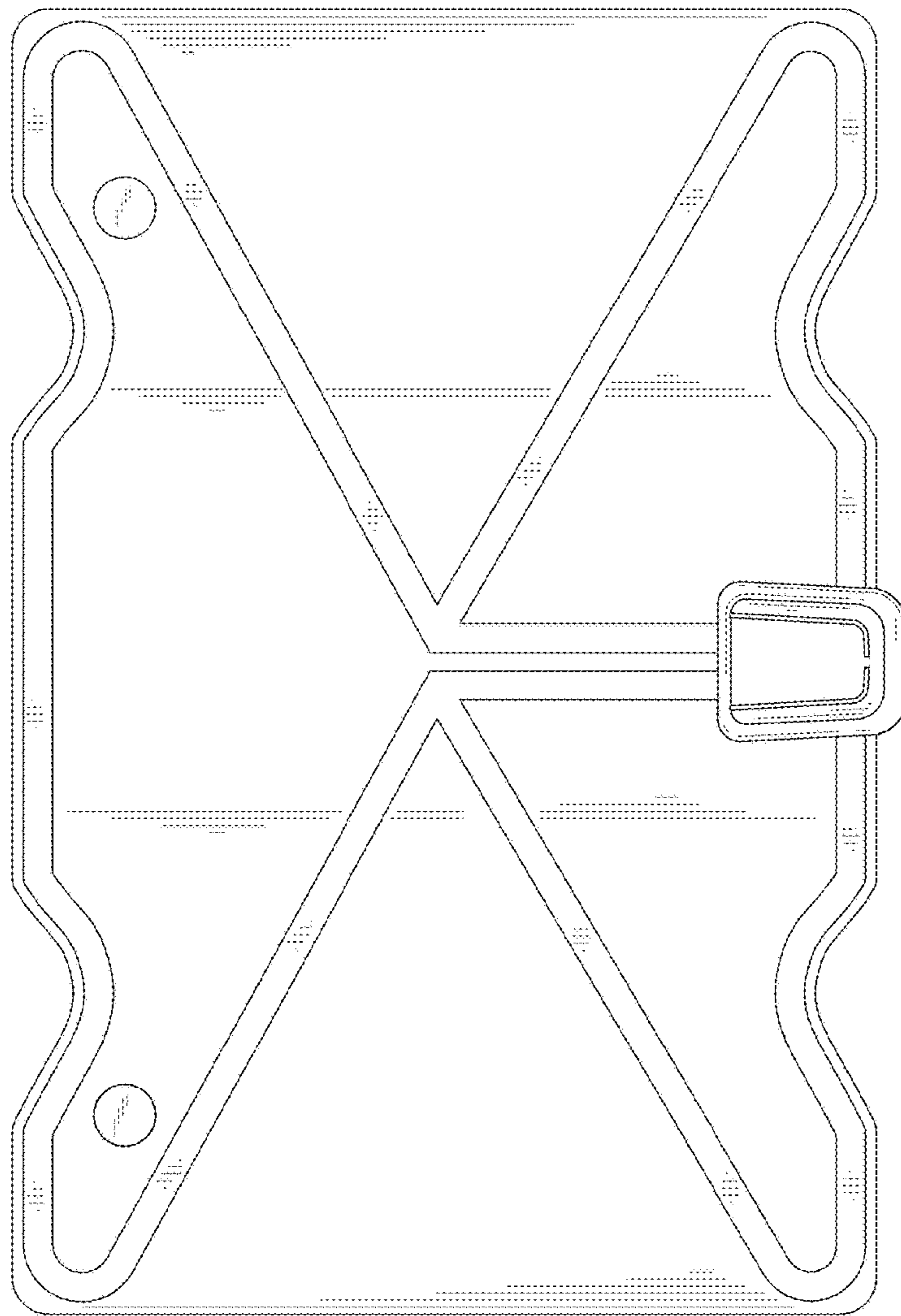


FIG. 3

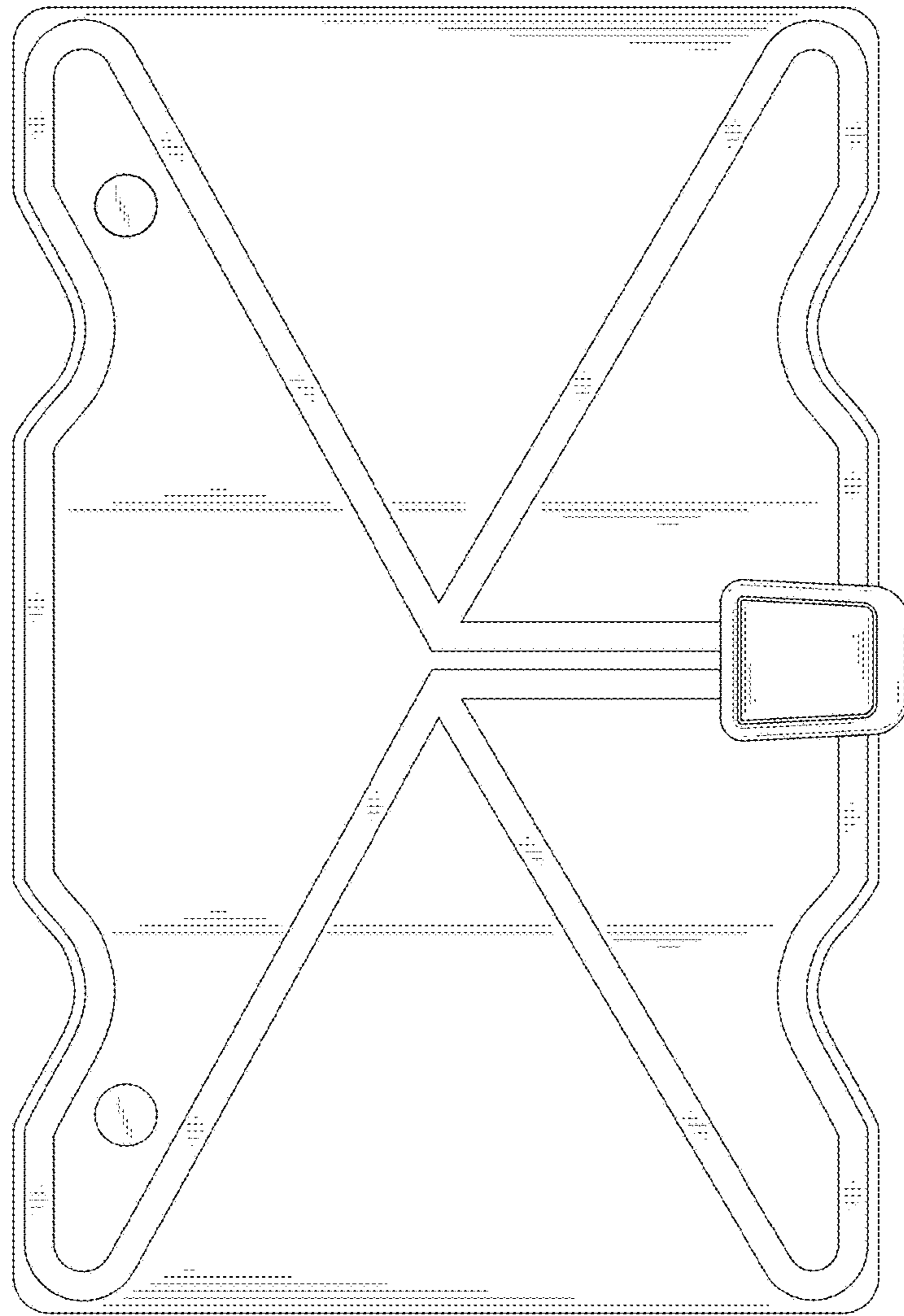
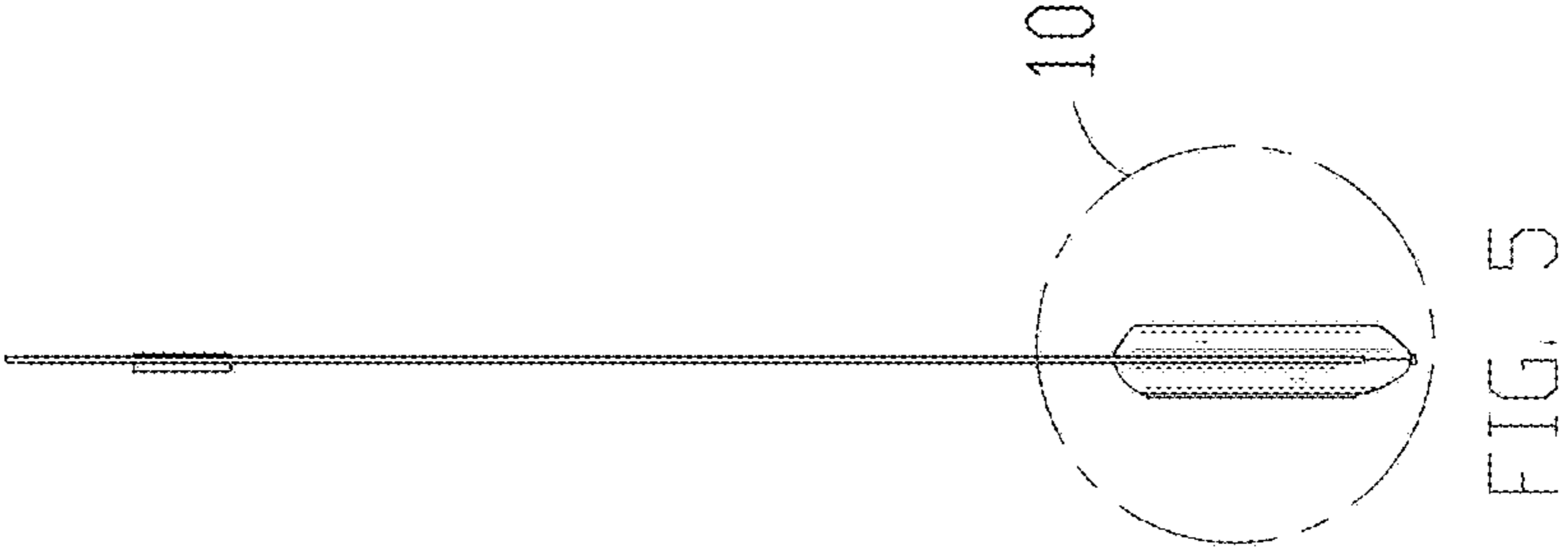


FIG. 4



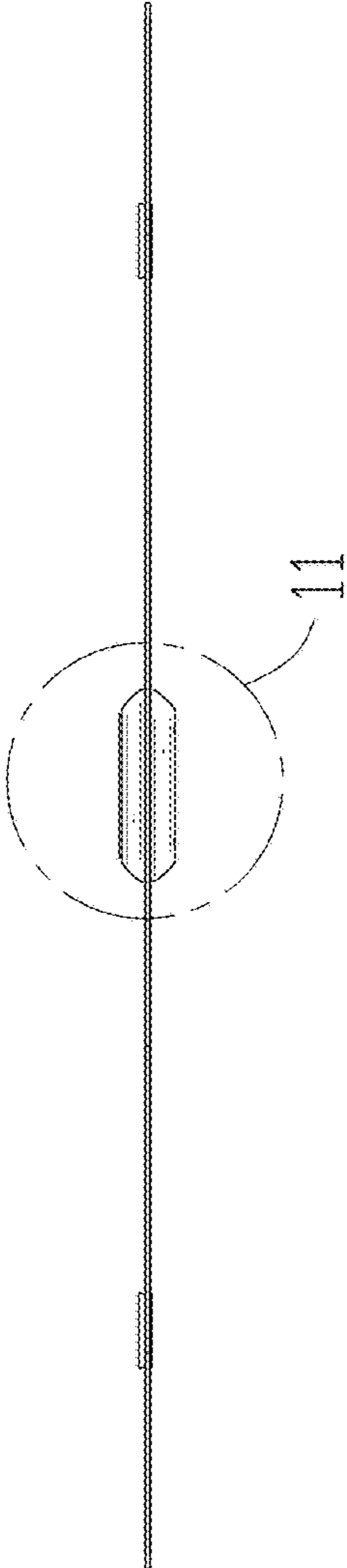


FIG. 6

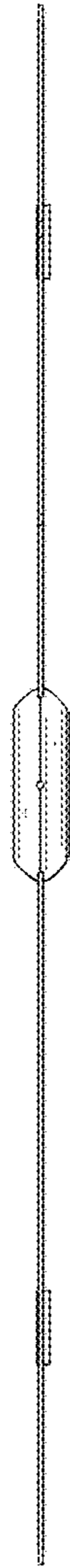


FIG. 7

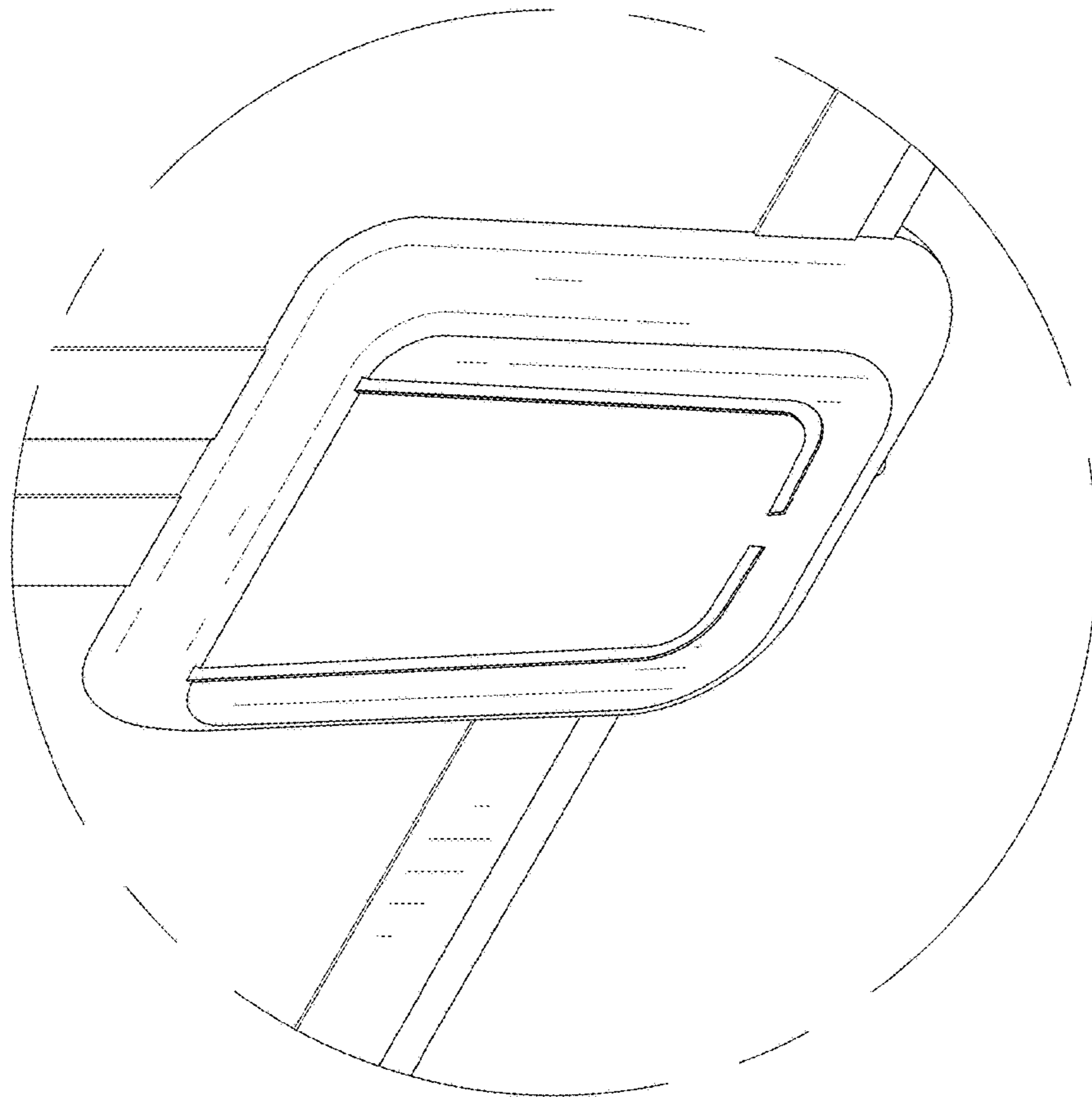


FIG. 8

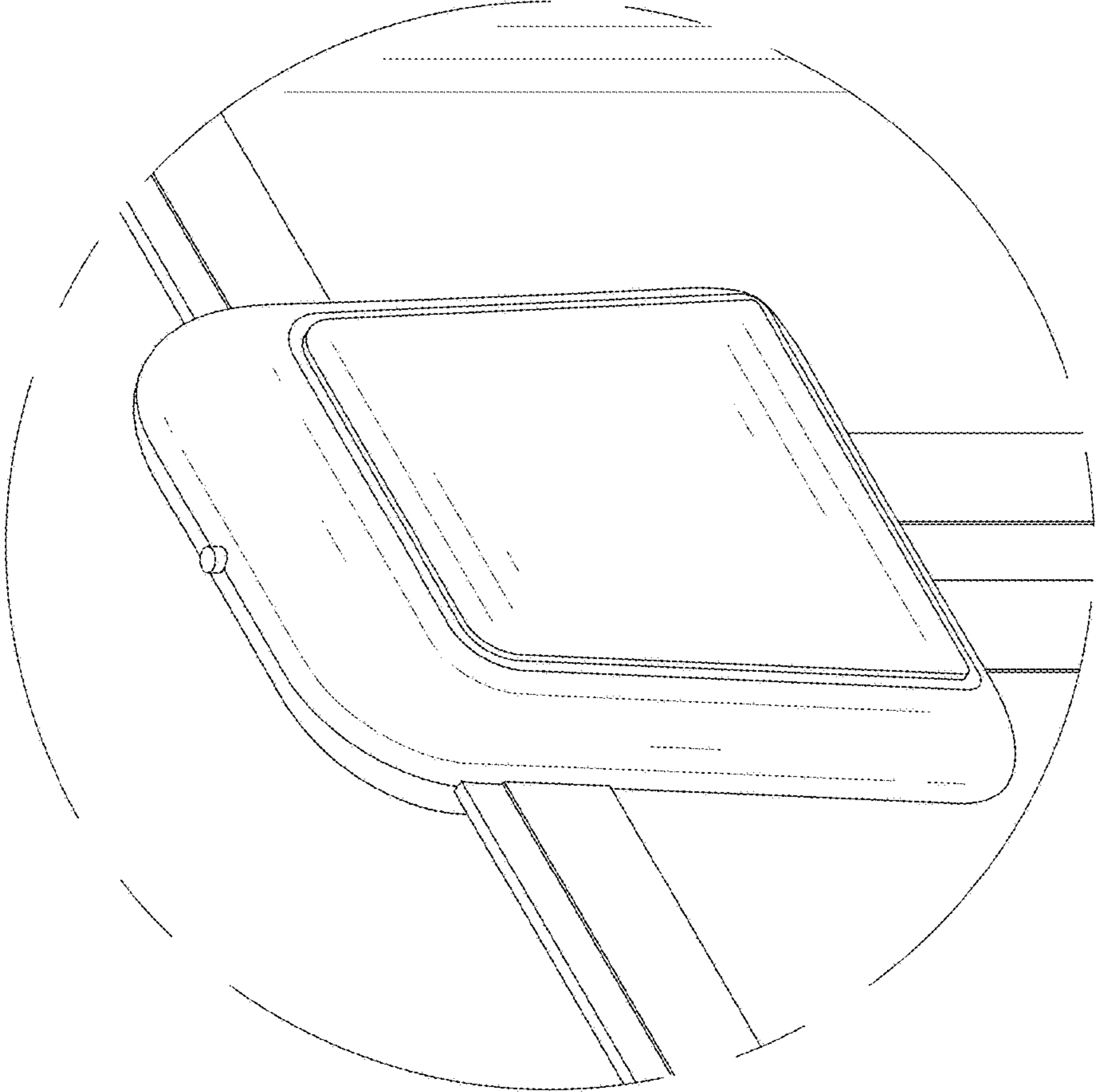


FIG. 9

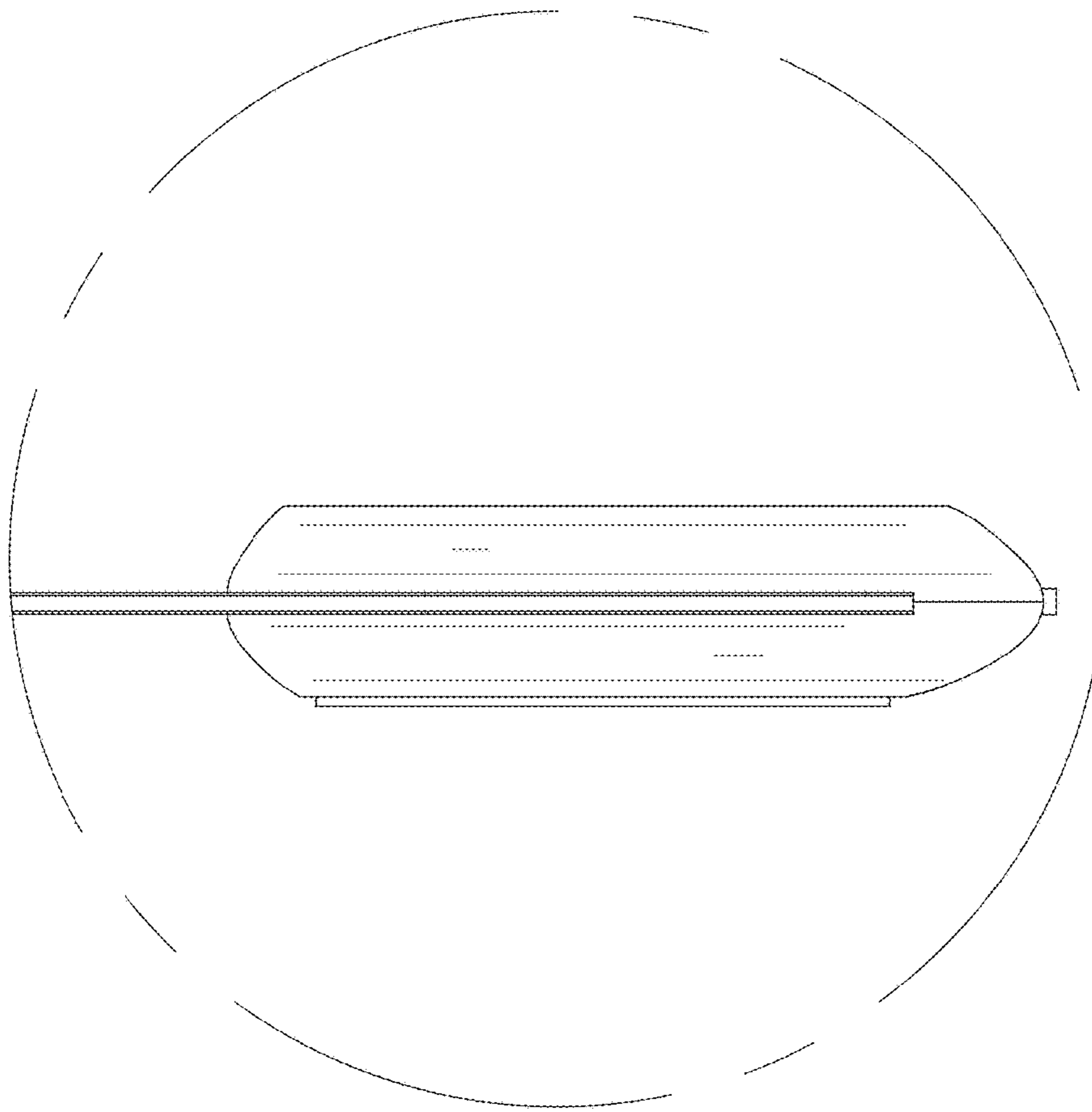


FIG. 10

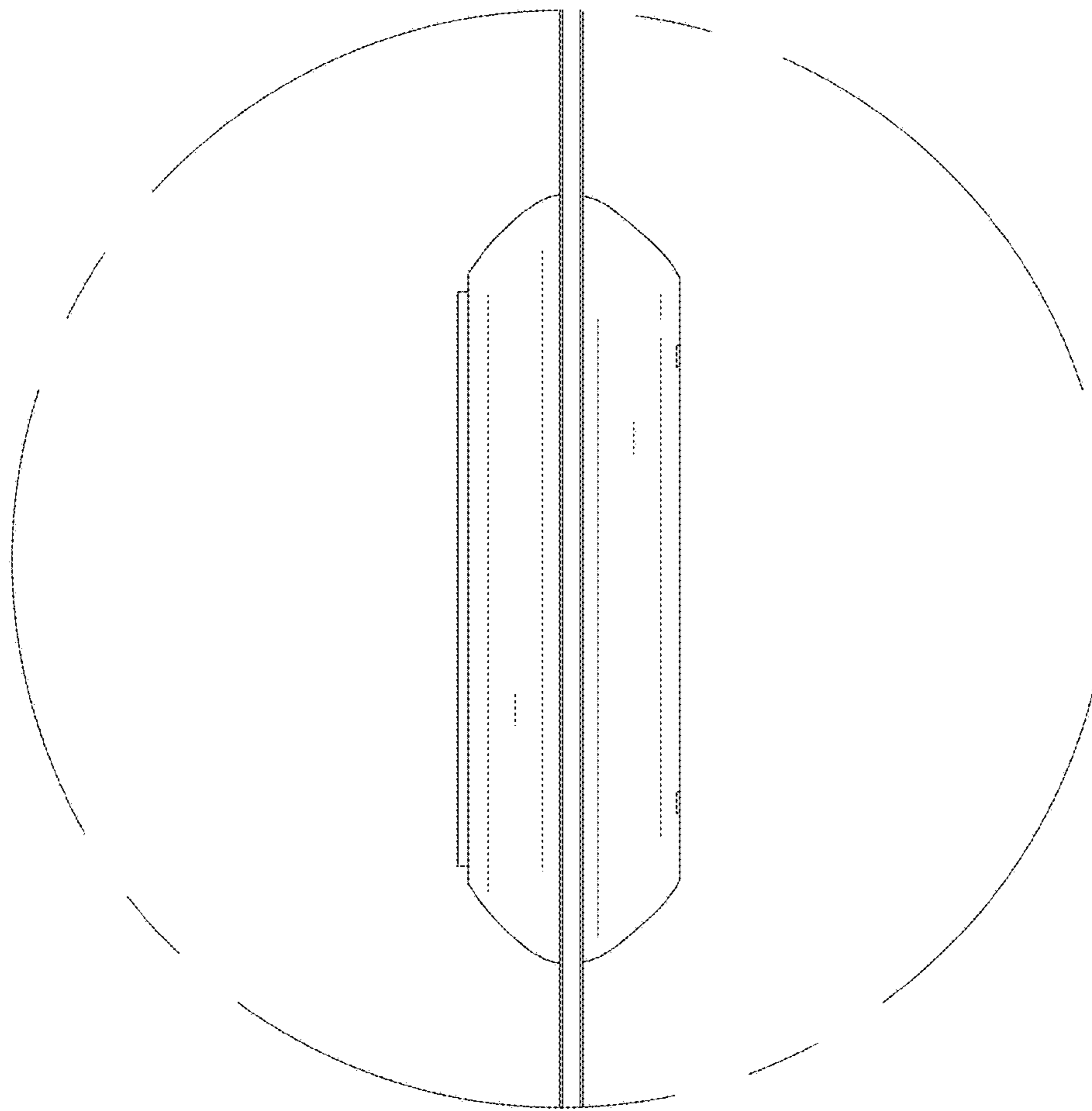


FIG. 11