



US00D855590S

(12) **United States Design Patent**
Qi

(10) **Patent No.:** **US D855,590 S**

(45) **Date of Patent:** **** Aug. 6, 2019**

(54) **HOME SPEAKER MOUNT**

(71) Applicant: **Haibo Qi**, Ningxiang (CN)

(72) Inventor: **Haibo Qi**, Ningxiang (CN)

(73) Assignee: **Haibo Qi**, Ningxiang (CN)

(**) Term: **15 Years**

(21) Appl. No.: **29/636,536**

(22) Filed: **Feb. 8, 2018**

(30) **Foreign Application Priority Data**

Oct. 27, 2017 (CN) 2017 3 0518313

(51) **LOC (12) Cl.** **14-03**

(52) **U.S. Cl.**
USPC **D14/224**

(58) **Field of Classification Search**
USPC D14/224, 224.1, 209.1, 218, 216, 215,
D14/217, 432, 447, 253, 251, 265;
D13/133, 155, 108; D8/356, 354, 499,
D8/396; 381/380, 381, 412, 370;
181/129, 130, 135; 455/90.3, 575.1,
455/569.1; 379/430, 431

CPC H01M 2/10; H05K 5/00; H05K 7/04
See application file for complete search history.

(56) **References Cited**

U.S. PATENT DOCUMENTS

2,577,288 A * 12/1951 Terlinde H04R 1/46
381/118
D196,051 S * 8/1963 Reed D14/224
3,192,894 A * 7/1965 Staver A47K 5/05
118/200
3,294,298 A * 12/1966 Danielson A45F 5/00
224/666
4,032,725 A * 6/1977 McGee H04R 1/025
248/27.1
D256,915 S * 9/1980 Needleman D14/224

4,429,247 A * 1/1984 Feldman H04R 17/00
310/322
D281,495 S * 11/1985 Ponticelli D14/224
5,014,892 A * 5/1991 Copeland A45F 5/02
224/242
5,139,427 A * 8/1992 Boyd H01R 12/52
439/247
D372,192 S * 7/1996 Pigott D8/499
5,540,367 A * 7/1996 Kauker A45F 5/02
224/180
D380,959 S * 7/1997 Mitchell D15/143
5,684,883 A * 11/1997 Chen H02G 11/02
381/370
D394,660 S * 5/1998 Hrach, Jr. D14/224
6,072,887 A * 6/2000 Wei H04R 11/00
379/433.02
6,099,334 A * 8/2000 Togashi H01R 13/703
200/51.1
D443,262 S * 6/2001 Caren D14/224

(Continued)

Primary Examiner — Paula Allen Greene

(74) *Attorney, Agent, or Firm* — Gokalp Bayramoglu

(57) **CLAIM**

The ornamental design for a home speaker mount, as shown and described.

DESCRIPTION

FIG. 1 is a front view of a home speaker mount showing the new design;

FIG. 2 is a rear view of the home speaker mount;

FIG. 3 is a left side view of the home speaker mount;

FIG. 4 is a right side view of the home speaker mount;

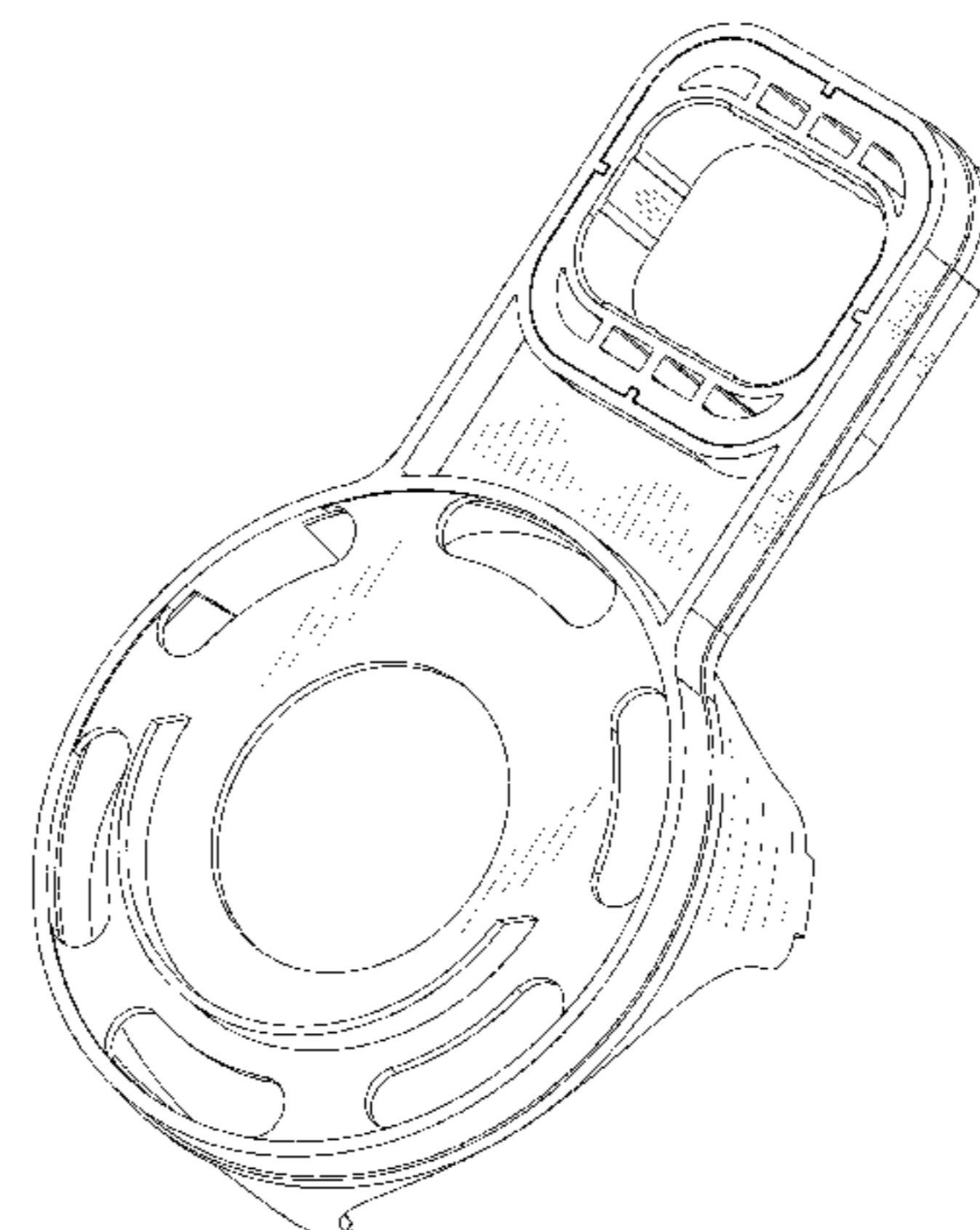
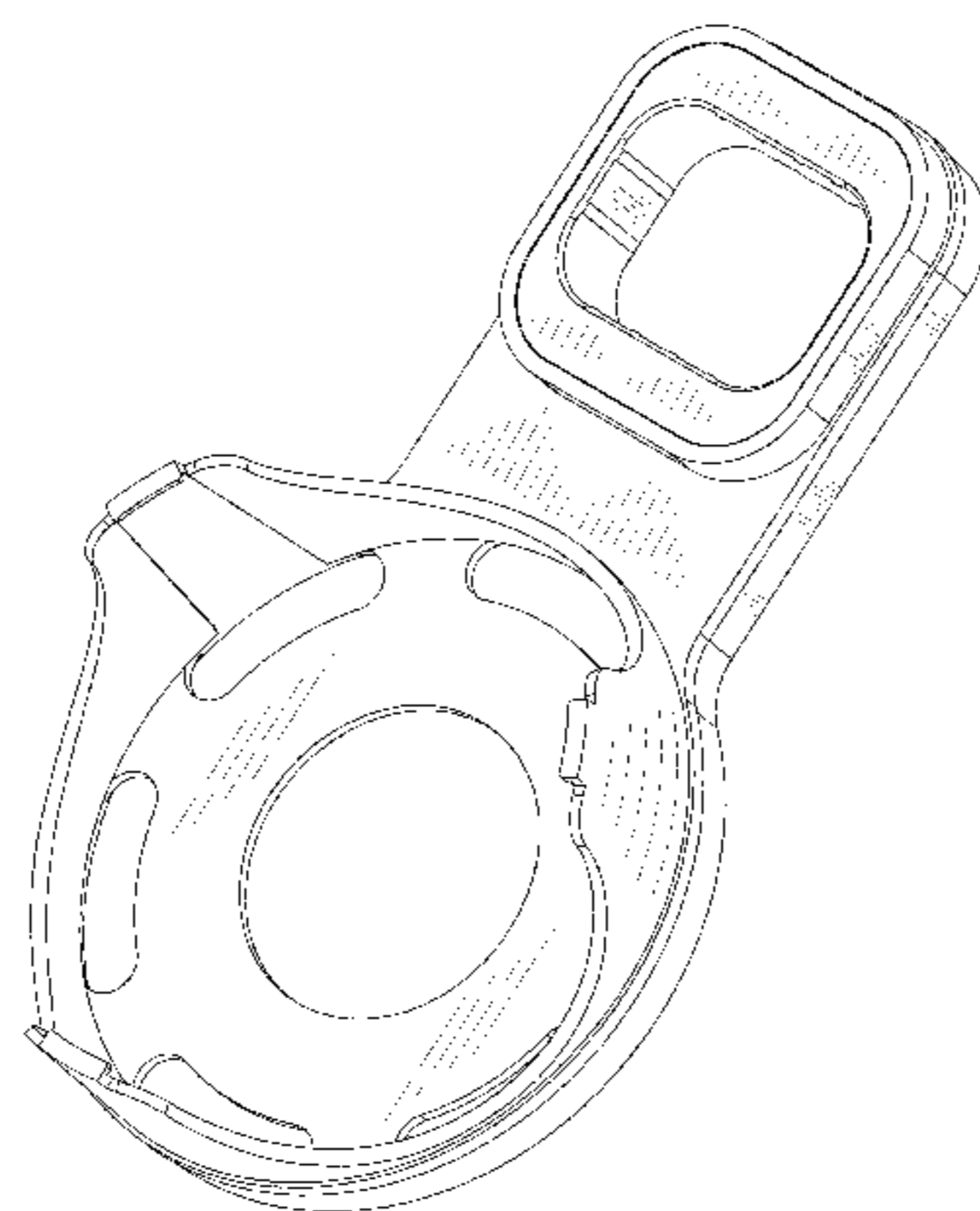
FIG. 5 is a top view of the home speaker mount;

FIG. 6 is a bottom view of the home speaker mount;

FIG. 7 is a perspective view of the home speaker mount; and,

FIG. 8 is another perspective view of the home speaker mount.

1 Claim, 8 Drawing Sheets



(56)

References Cited

U.S. PATENT DOCUMENTS

D468,729 S *	1/2003	Takayama	D14/224	D692,784 S *	11/2013	Anderssen	D10/106.92
6,751,317 B2 *	6/2004	Shima	H01R 13/7033	D694,228 S *	11/2013	Richter	D14/253
			379/438	D696,259 S *	12/2013	Howarth	D14/447
D493,386 S *	7/2004	Pontaoe	D11/218	D704,199 S *	5/2014	Byun	D14/447
D512,905 S *	12/2005	Byers	D8/382	D709,066 S *	7/2014	Byun	D14/253
D542,279 S *	5/2007	Chan	D14/216	8,794,374 B2 *	8/2014	Kim	H04R 7/16
D565,551 S *	4/2008	Yoshinaga	D14/216				181/164
D582,399 S *	12/2008	Venier	D14/224	D713,398 S *	9/2014	Alesi	D14/253
D595,650 S *	7/2009	Di Stefano	D13/133	D719,961 S *	12/2014	Xiang	D14/447
D598,910 S *	8/2009	Bradford	D14/217	D739,223 S *	9/2015	Paik	D8/396
D609,636 S *	2/2010	Jensen	D13/108	D751,558 S *	3/2016	Lee	D10/103
D615,068 S *	5/2010	Yuasa	D14/216	D795,844 S *	8/2017	Harper	D14/223
D618,671 S *	6/2010	Hou	D14/217	D799,492 S *	10/2017	Seiss	D14/447
D633,872 S *	3/2011	Shen	D13/155	D804,487 S *	12/2017	Theis	D14/447
D638,398 S *	5/2011	Morison	D14/205	D807,339 S *	1/2018	Lan	D14/253
D655,293 S *	3/2012	Gioscia	D14/434	D810,050 S *	2/2018	Uemoto	D14/216
D662,087 S *	6/2012	Peller	D14/205	D814,267 S *	4/2018	Verbowski	D8/354
D663,292 S *	7/2012	Hoggarth	D14/224	D826,906 S *	8/2018	Lasnier de Lavalette ...	D14/224
D690,707 S *	10/2013	Minn	B60R 11/0241	2005/0241876 A1 *	11/2005	Sperle	H04R 1/025
			D14/447				181/150
				2013/0322797 A1 *	12/2013	Barth	F16C 17/04
							384/420

* cited by examiner

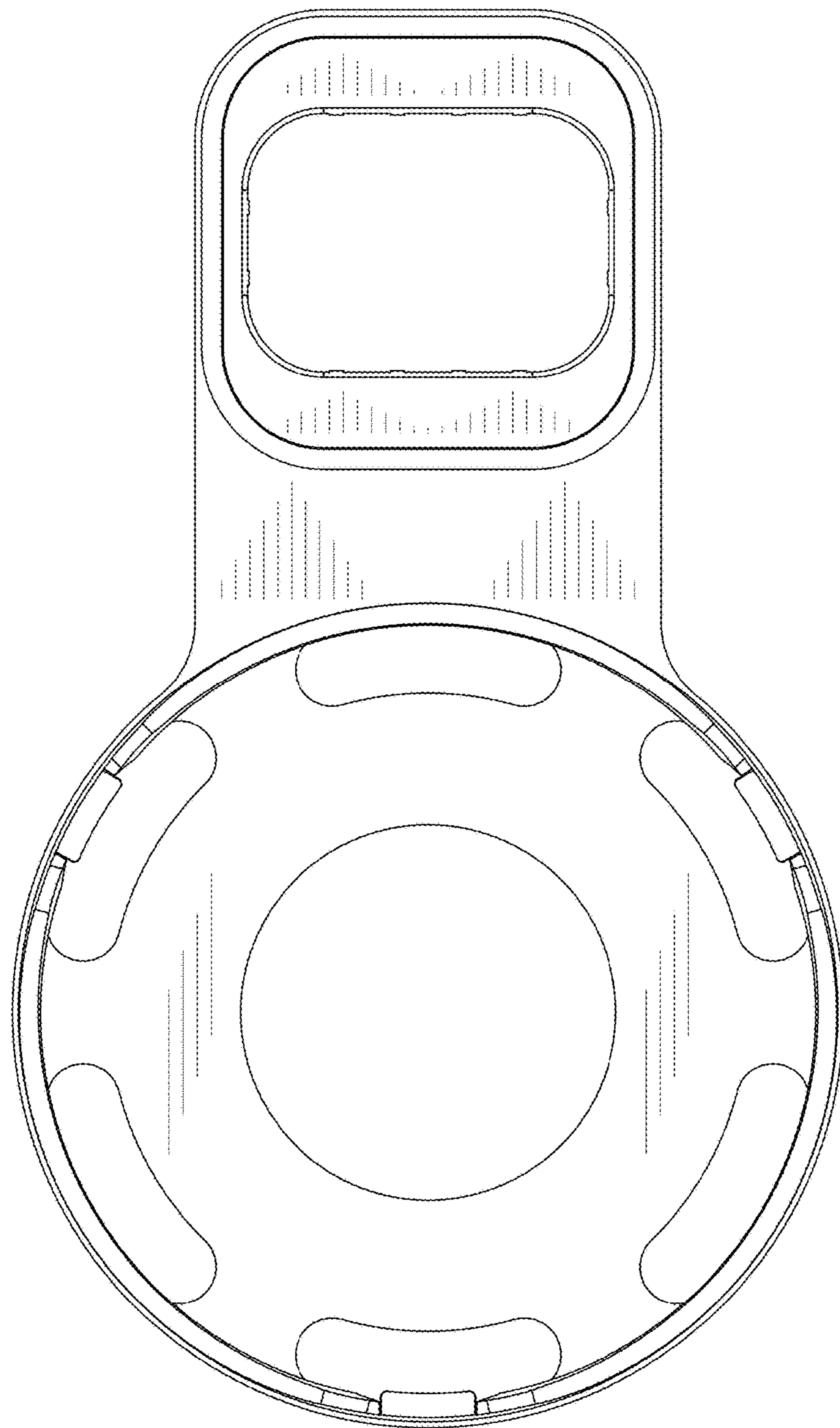


Figure 1

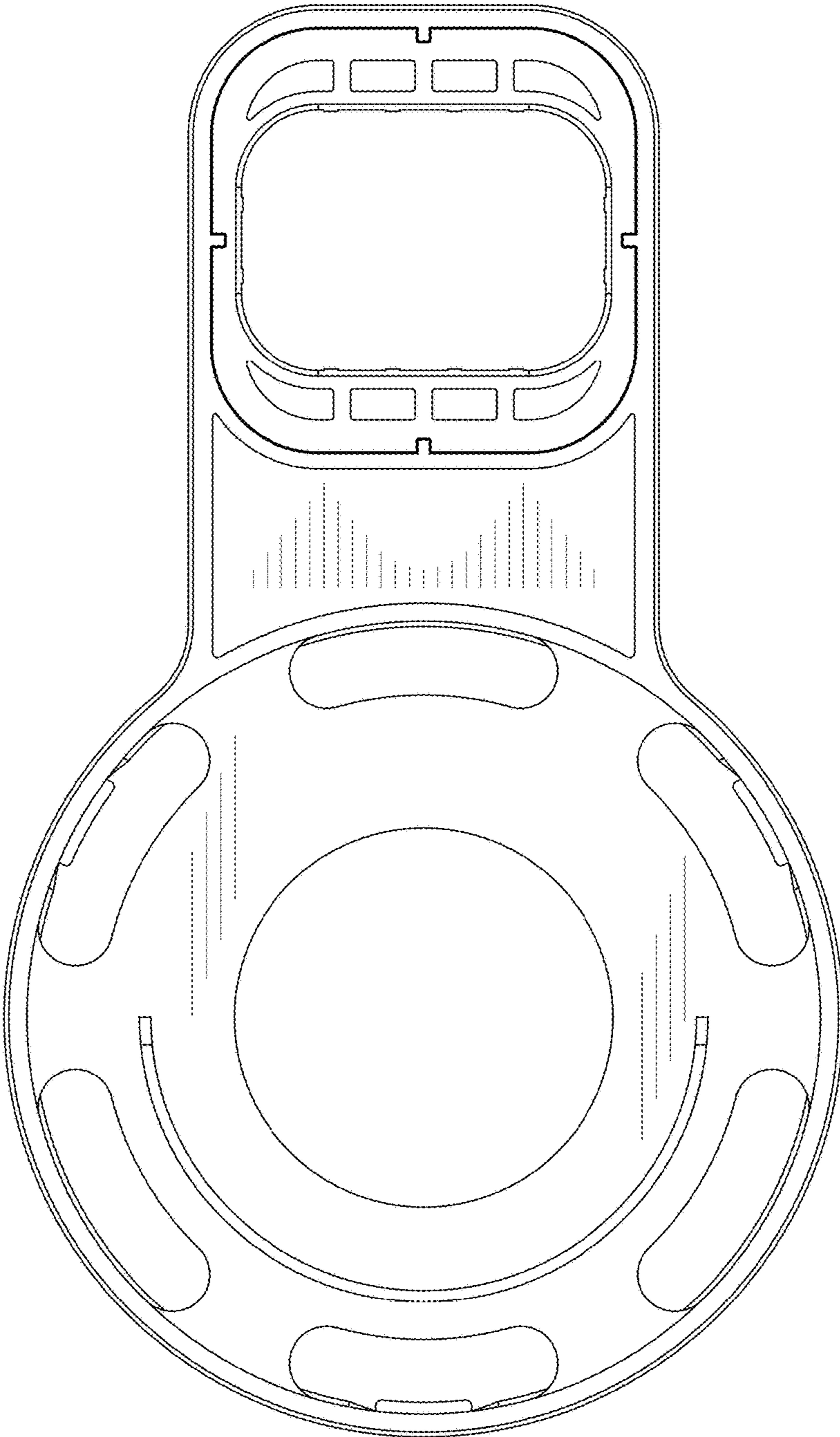


Figure 2

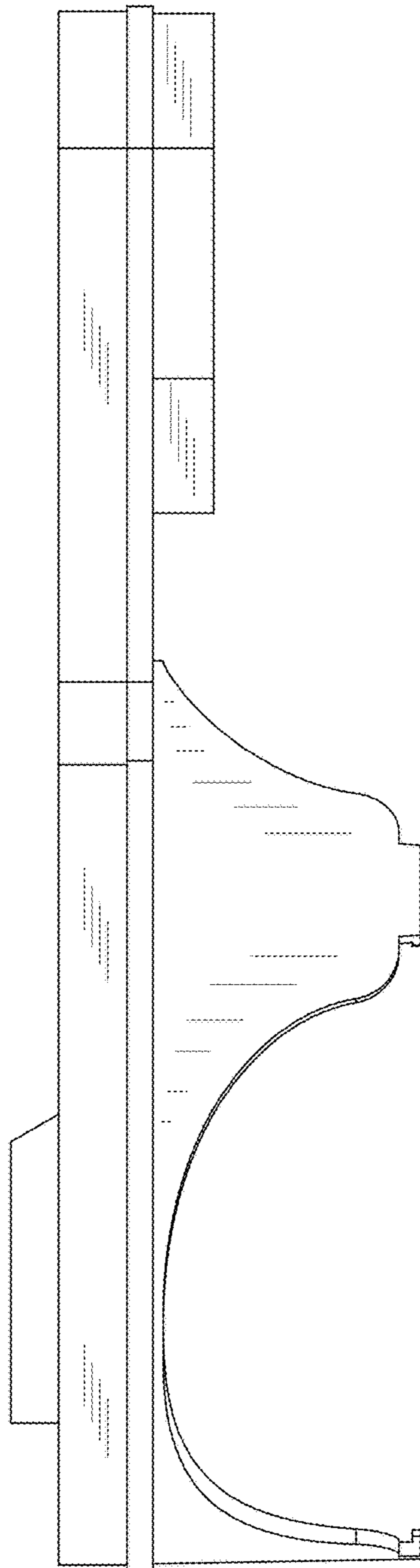


Figure 3

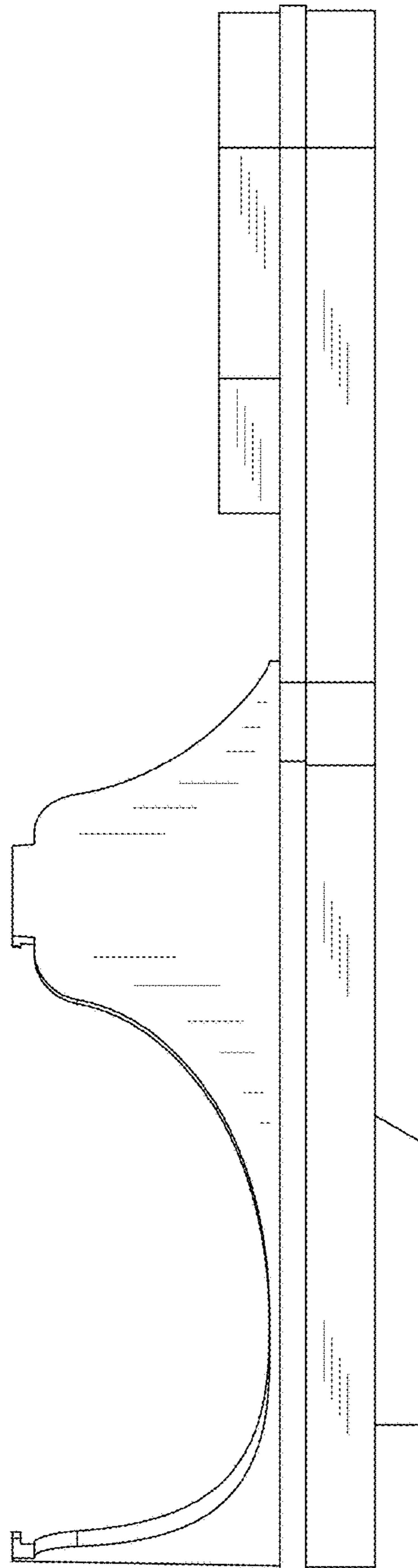


Figure 4

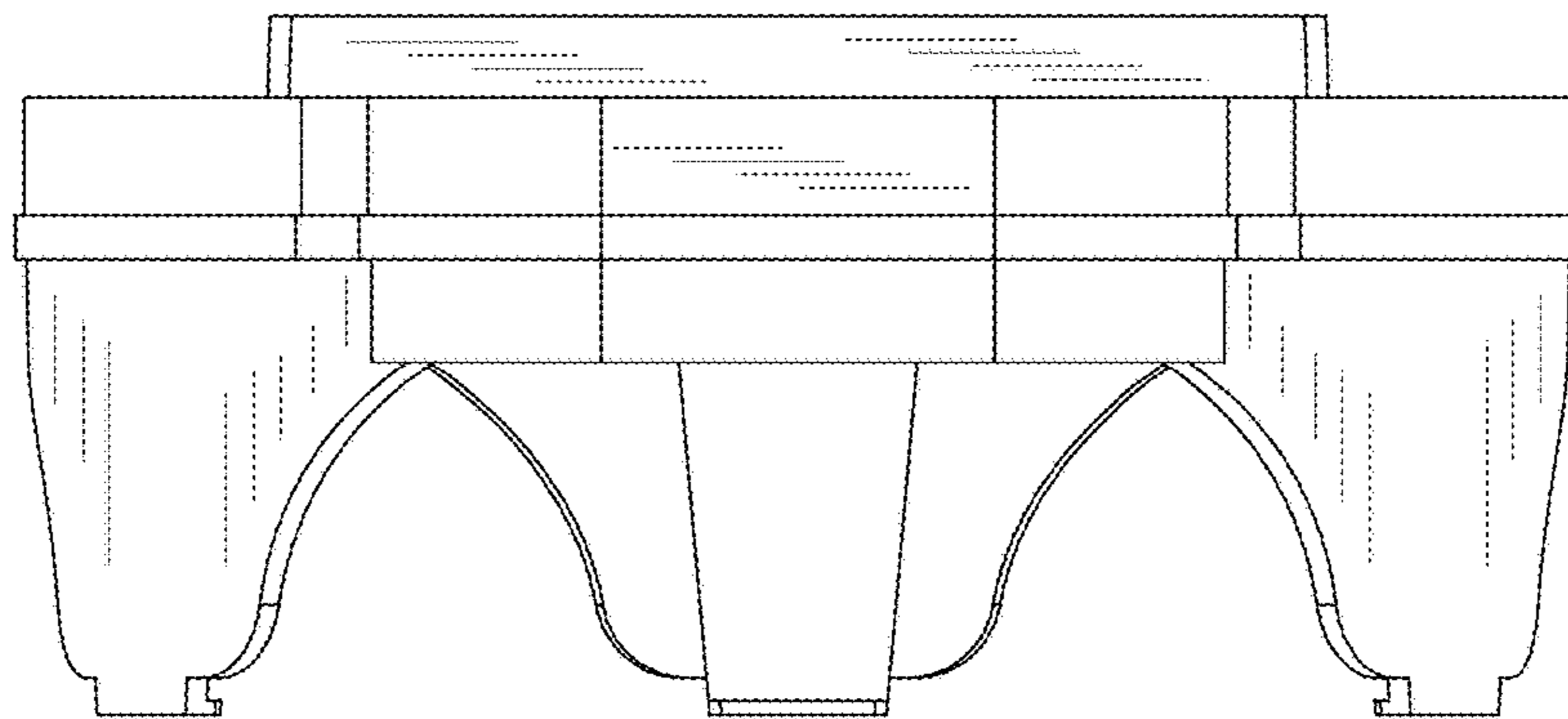


Figure 5

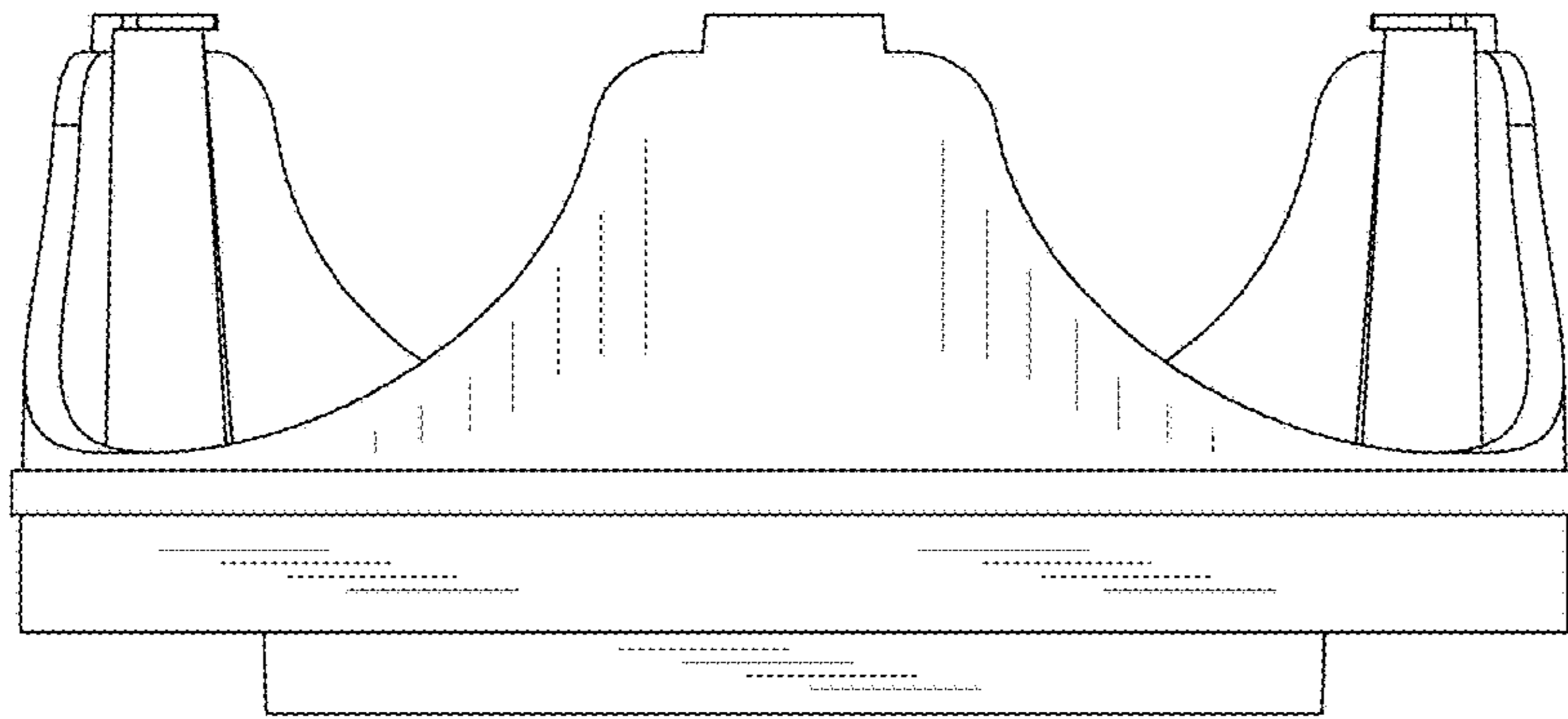


Figure 6

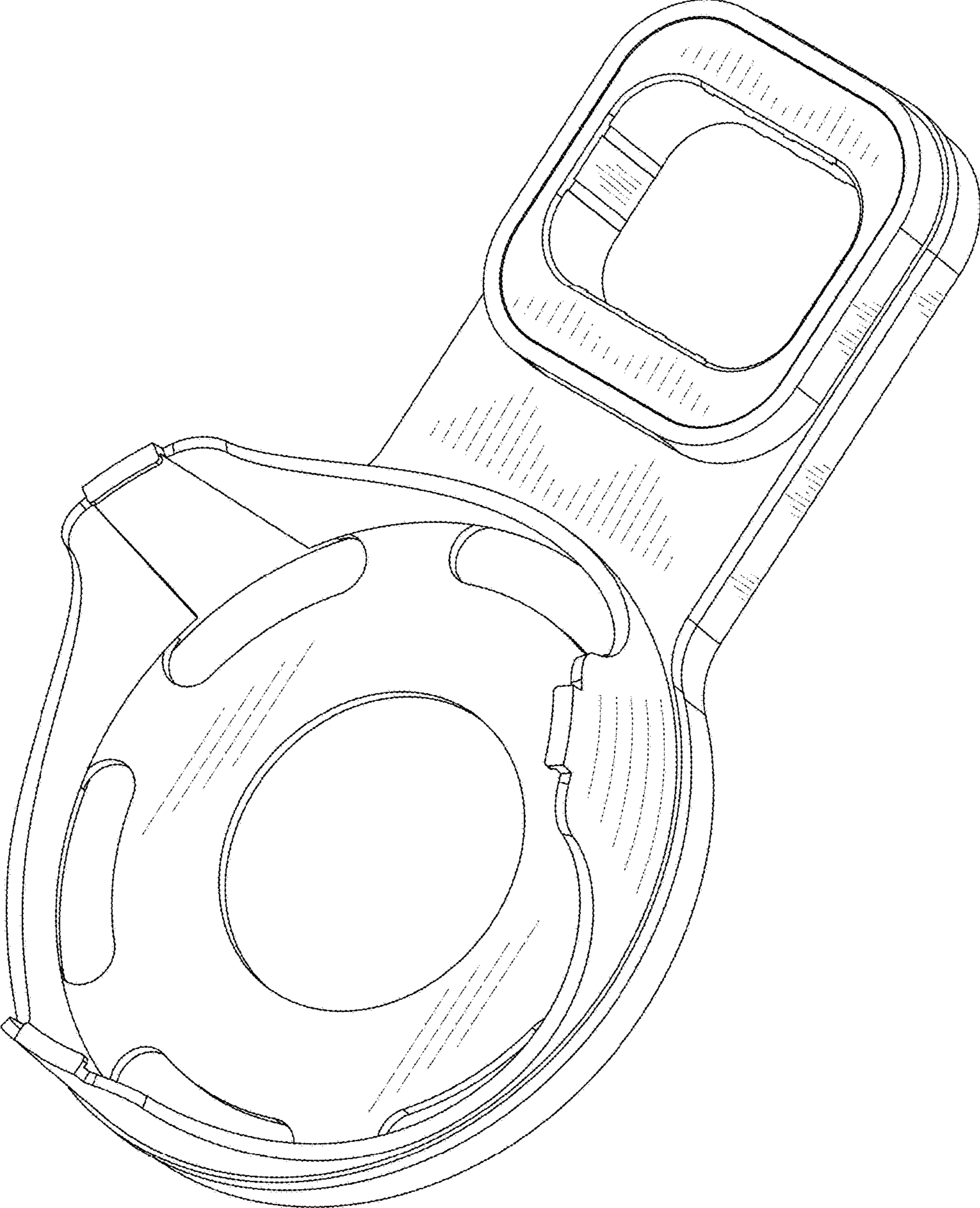


Figure 7

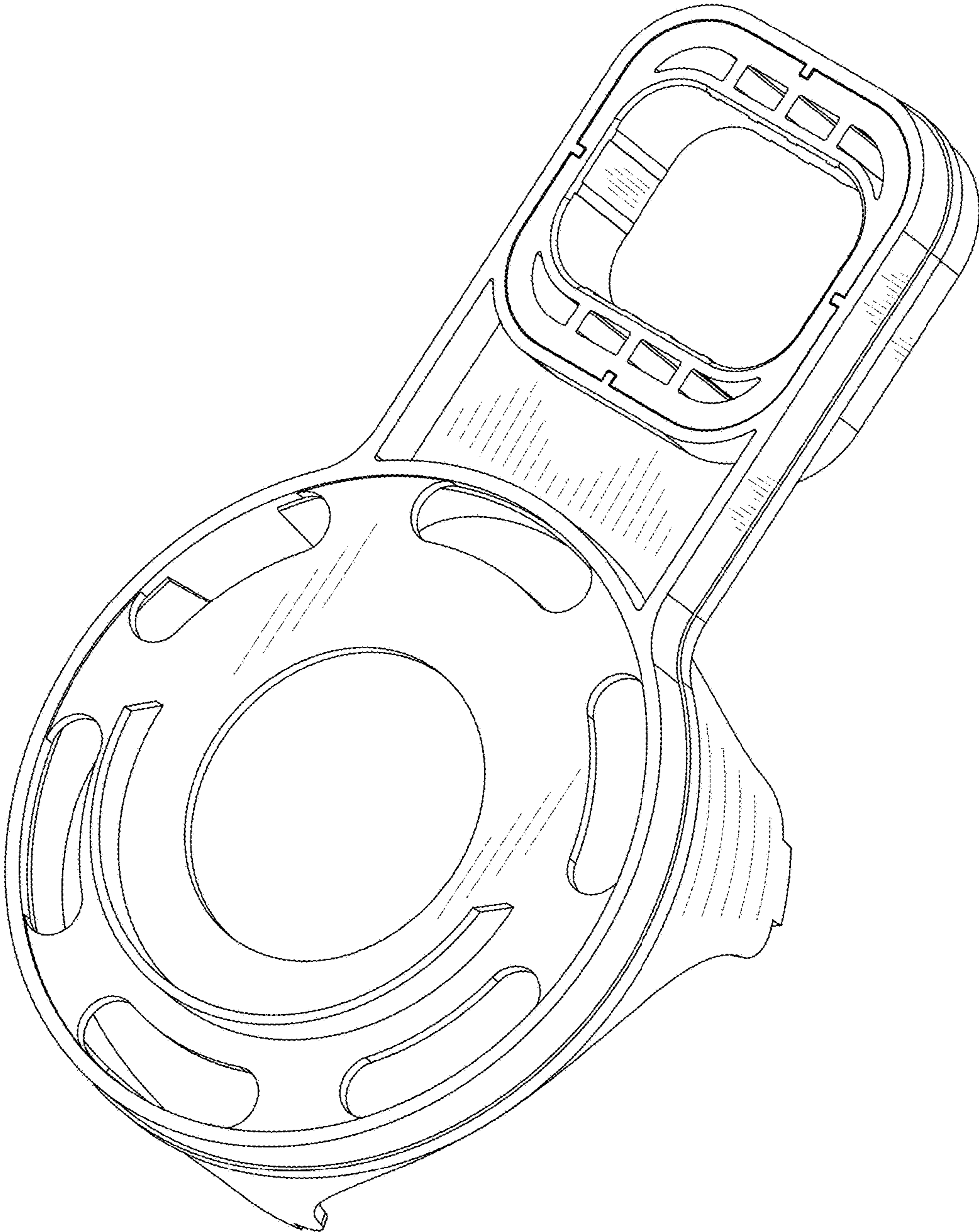


Figure 8