



US00D855585S

(12) **United States Design Patent**  
**Jeong et al.**

(10) **Patent No.:** **US D855,585 S**

(45) **Date of Patent:** **\*\* Aug. 6, 2019**

(54) **REMOTE CONTROLLER FOR BIDET**

(71) Applicant: **IS DONGSEO CO., LTD.**, Seoul (KR)

(72) Inventors: **Ji Cheol Jeong**, Gwangju-si (KR); **Dal Won Yi**, Seoul (KR)

(73) Assignee: **IS DONGSEO CO., LTD.**, Seoul (KR)

(\*\*) Term: **15 Years**

(21) Appl. No.: **29/635,304**

(22) Filed: **Jan. 30, 2018**

(30) **Foreign Application Priority Data**

Jan. 4, 2018 (KR) ..... 30-2018-0000581

(51) **LOC (12) Cl.** ..... **14-03**

(52) **U.S. Cl.**  
USPC ..... **D14/218**

(58) **Field of Classification Search**  
USPC ..... D14/218; D13/168  
See application file for complete search history.

(56) **References Cited**

**U.S. PATENT DOCUMENTS**

D316,847 S *	5/1991	Rowen	.....	D13/168
D317,593 S *	6/1991	Rowen	.....	D13/168
6,680,673 B1 *	1/2004	Wong	.....	G08C 17/00
				340/12.27
D496,003 S *	9/2004	Spira	.....	D13/168
D569,813 S *	5/2008	Charleux	.....	D13/168
D589,941 S *	4/2009	Maier	.....	D14/218
D602,919 S *	10/2009	Bodley	.....	D14/225
D605,178 S *	12/2009	Maier	.....	D14/218
D634,735 S *	3/2011	Maier	.....	D14/218
D647,510 S *	10/2011	Maier	.....	D14/218
D647,511 S *	10/2011	Maier	.....	D14/218
D673,137 S *	12/2012	Maier	.....	D14/218
D692,415 S *	10/2013	Zheng	.....	D14/218
D719,935 S *	12/2014	Diamond	.....	D14/218

D755,758 S *	5/2016	Maier	.....	D14/218
D788,077 S *	5/2017	Ducret	.....	D14/218
D798,272 S *	9/2017	Desagre	.....	D14/218
D805,058 S *	12/2017	Akana	.....	D14/218
D805,483 S *	12/2017	McRoberts	.....	D13/168
D811,351 S *	2/2018	O'Connell	.....	D13/168

(Continued)

**FOREIGN PATENT DOCUMENTS**

EM 004420578-0001 \* 11/2017

**OTHER PUBLICATIONS**

A7 Aura Advanced bidet toilet seat—Bio Bidet, website reviews 2017, [https://biobidet.com/products/a7\\_bidet\\_toilet\\_seat](https://biobidet.com/products/a7_bidet_toilet_seat), site visited Mar. 15, 2019.\*

(Continued)

*Primary Examiner* — John Windmuller

*Assistant Examiner* — John R Yeh

(74) *Attorney, Agent, or Firm* — Cantor Colburn LLP

(57) **CLAIM**

The ornamental design for a remote controller for bidet, as shown and described.

**DESCRIPTION**

FIG. 1 is a perspective view of a remote controller for bidet showing our new design;

FIG. 2 is a front elevational view thereof;

FIG. 3 is a rear elevational view thereof;

FIG. 4 is a left side elevational view thereof;

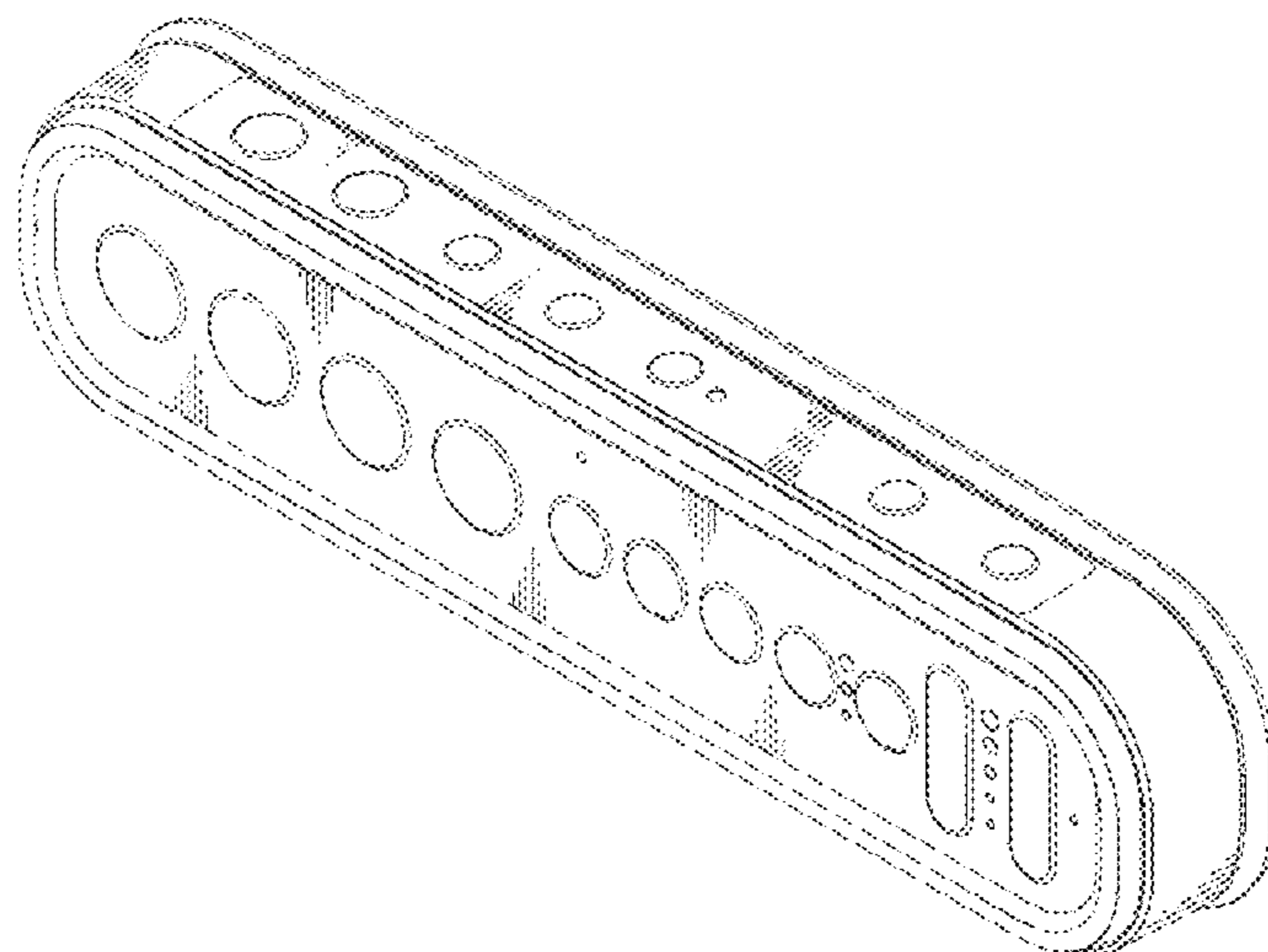
FIG. 5 is a right side elevational view thereof;

FIG. 6 is a top plan view thereof; and,

FIG. 7 is a bottom plan view thereof.

The broken lines in the drawing views are included for the purpose of illustrating the unclaimed portions of the lamp for vehicle and form no part of the claimed design.

**1 Claim, 4 Drawing Sheets**



(56)

**References Cited**

U.S. PATENT DOCUMENTS

9,891,668 B2 \* 2/2018 Abe ..... G06F 1/1633  
D825,102 S \* 8/2018 Bowen ..... D27/167  
D826,937 S \* 8/2018 Ruegg ..... D14/388  
10,070,669 B2 \* 9/2018 Monsees ..... H05B 1/0244  
10,111,470 B2 \* 10/2018 Monsees ..... H05B 3/04  
2008/0124085 A1 \* 5/2008 Yoshikawa ..... G08C 23/04  
398/106

OTHER PUBLICATIONS

Bidet Seat and Remote Control | Global Source website 2019,  
[https://www.globalsources.com/si/AS/QUOSS-Co/6008847712984/  
pdtl/Bidet-Seat/10638](https://www.globalsources.com/si/AS/QUOSS-Co/6008847712984/pdtl/Bidet-Seat/10638) . . . site visited Mar. 15, 2019.\*

\* cited by examiner

FIG. 1

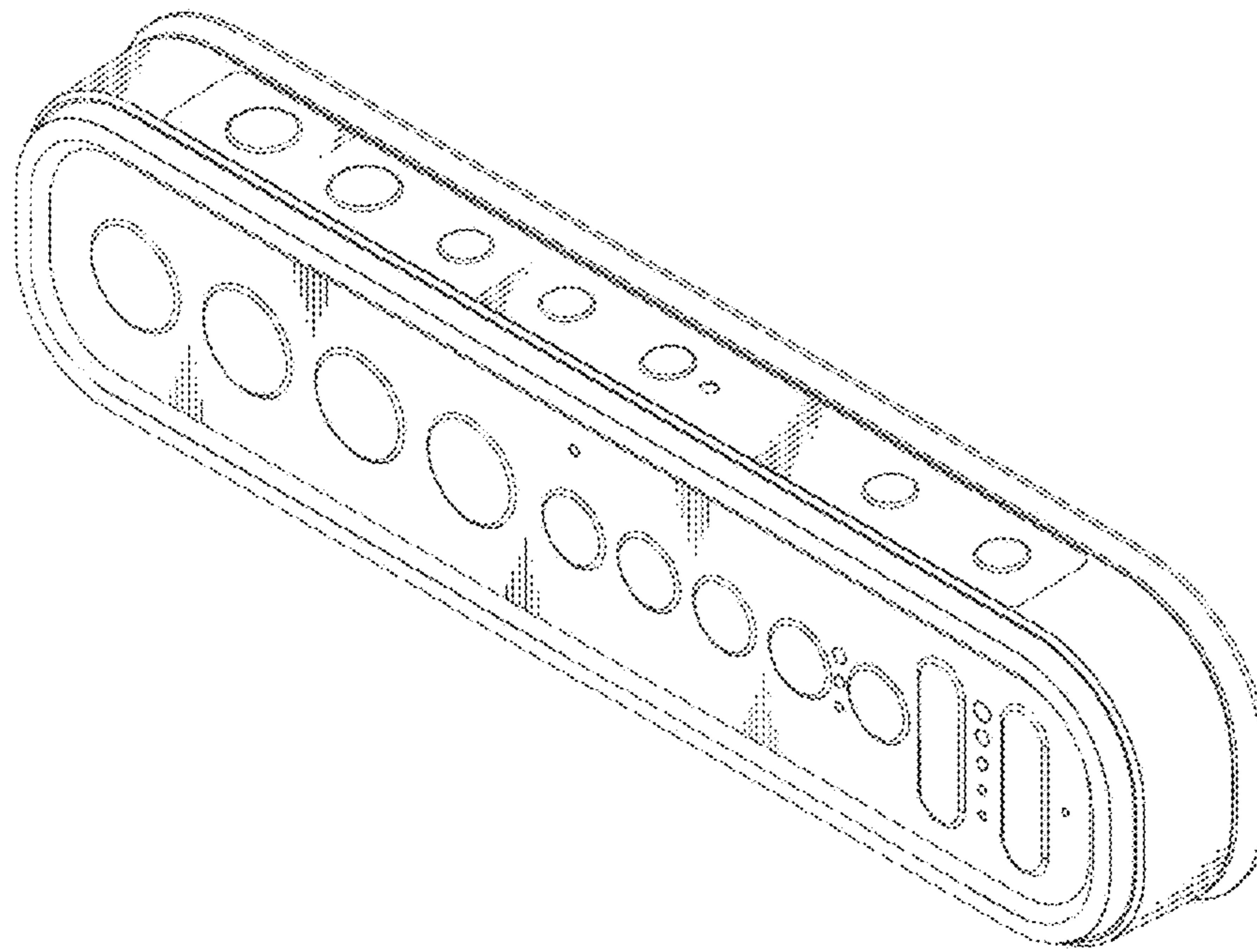


FIG. 2

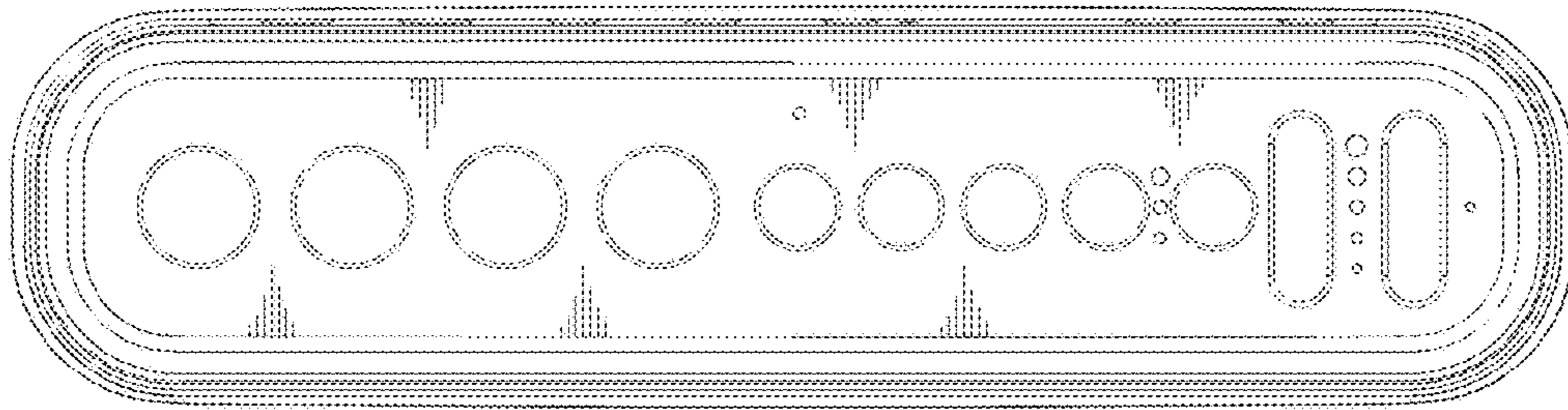


FIG. 3

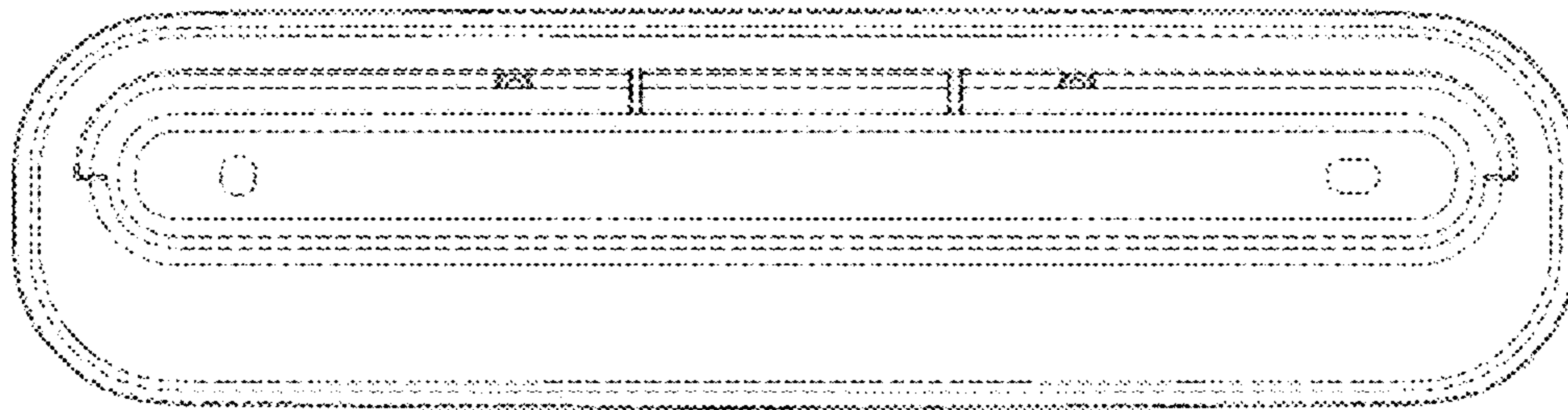


FIG. 4

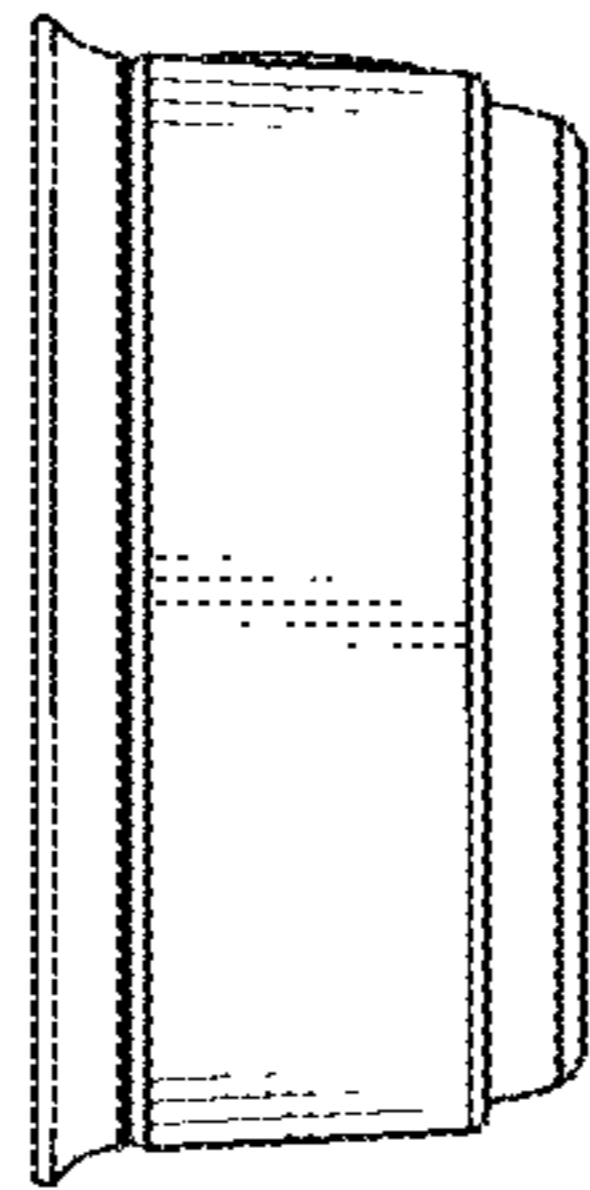


FIG. 5

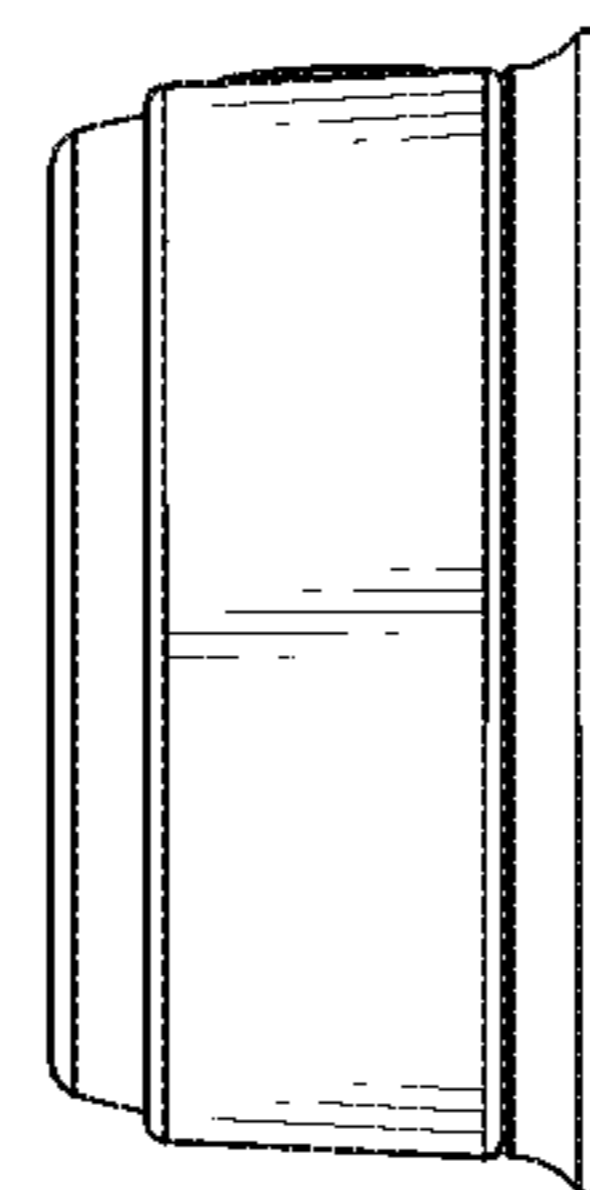


FIG. 6

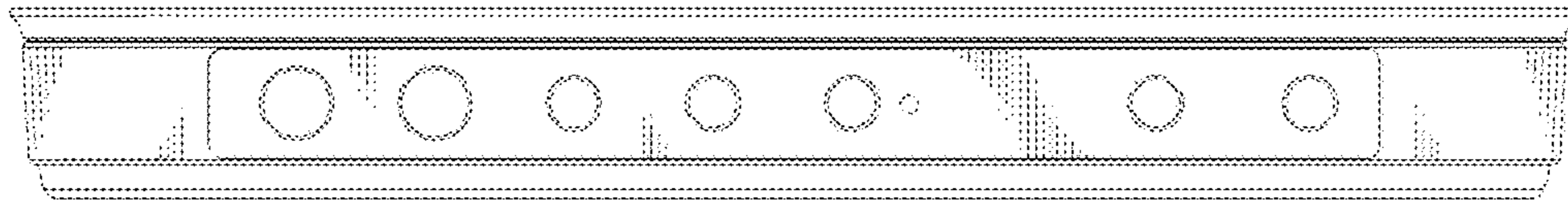


FIG. 7

