



US00D855584S

(12) **United States Design Patent**
Laine et al.

(10) **Patent No.:** **US D855,584 S**

(45) **Date of Patent:** **** Aug. 6, 2019**

(54) **SPEAKER**

(71) Applicant: **RAZER (ASIA-PACIFIC) PTE. LTD.**,
Singapore (SG)

(72) Inventors: **Francois Laine**, San Francisco, CA
(US); **Min-Liang Tan**, Singapore (SG)

(73) Assignee: **RAZER (ASIA-PACIFIC) PTE. LTD.**,
Singapore (SG)

(**) Term: **15 Years**

(21) Appl. No.: **29/619,561**

(22) Filed: **Sep. 29, 2017**

(51) **LOC (12) Cl.** **14-03**

(52) **U.S. Cl.**

USPC **D14/216**; D14/207; D14/225; D16/203

(58) **Field of Classification Search**

USPC D14/167, 168, 170–172, 188, 194–196,
D14/204, 209.1, 210–216, 219, 221, 222,
D14/224, 239, 496, 189, 207, 225, 228;
D16/202, 203, 208

CPC B60R 11/0217; G06F 1/1688; G10K 9/22;
G10K 11/004; H03F 1/327; H04M 1/03;
H04M 1/035; H04N 5/642; H04N
21/4852; H04R 1/02; H04R 1/06; H04R
1/021; H04R 1/025; H04R 1/026; H04R
1/028; H04R 1/105; H04R 1/323; H04R
1/403; H04R 1/2803; H04R 1/2834;
H04R 5/02; H04R 7/20; H04R 9/06;
H04R 9/025; H04R 2201/021; H04R
2400/00; H04R 2400/07; H04R 2499/11;
H04R 2499/13; H04R 2499/15; H04S
3/00; H04S 7/30

See application file for complete search history.

(56) **References Cited**

U.S. PATENT DOCUMENTS

D382,270 S * 8/1997 Matsuoka D14/214
D382,564 S * 8/1997 Shiono D14/214

D410,651 S * 6/1999 Suzuki D14/215
D524,799 S * 7/2006 Hibi D14/216
D645,891 S * 9/2011 Kim D16/202
D674,776 S * 1/2013 Cmehil D14/209.1
D696,329 S * 12/2013 Horiki D16/203
D709,542 S * 7/2014 Bailey D16/202
D715,348 S * 10/2014 Peacock D16/203
D716,766 S * 11/2014 Lee D14/211
D749,059 S * 2/2016 Hinokio D14/216
D749,060 S * 2/2016 Hinokio D14/216
D813,289 S * 3/2018 Laffon de Mazieres D16/202
D831,089 S * 10/2018 Laffon de Mazieres D16/202
2018/0340646 A1* 11/2018 Mehdi F16M 11/2035

* cited by examiner

Primary Examiner — Keli L Hill

(74) *Attorney, Agent, or Firm* — Polsinelli PC

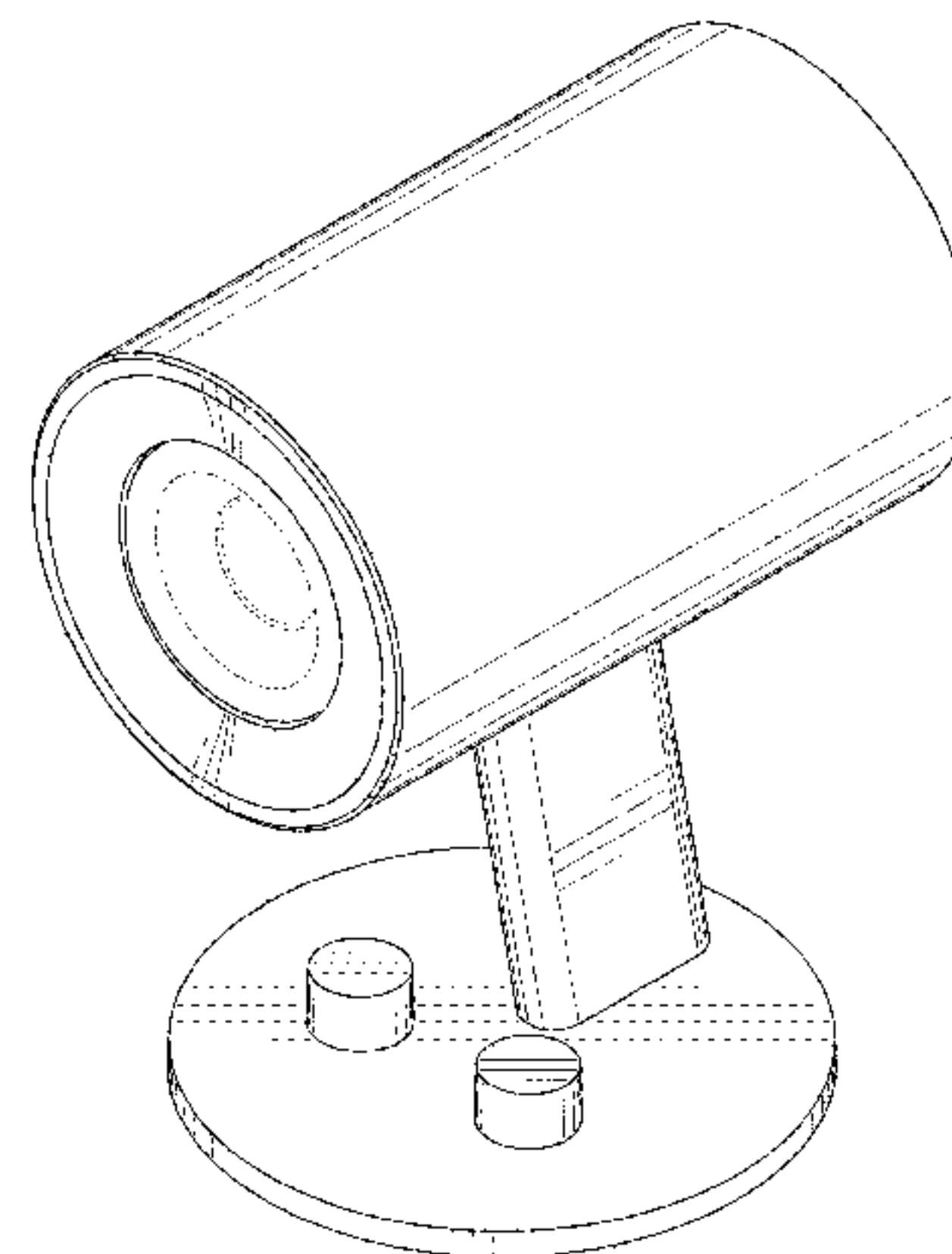
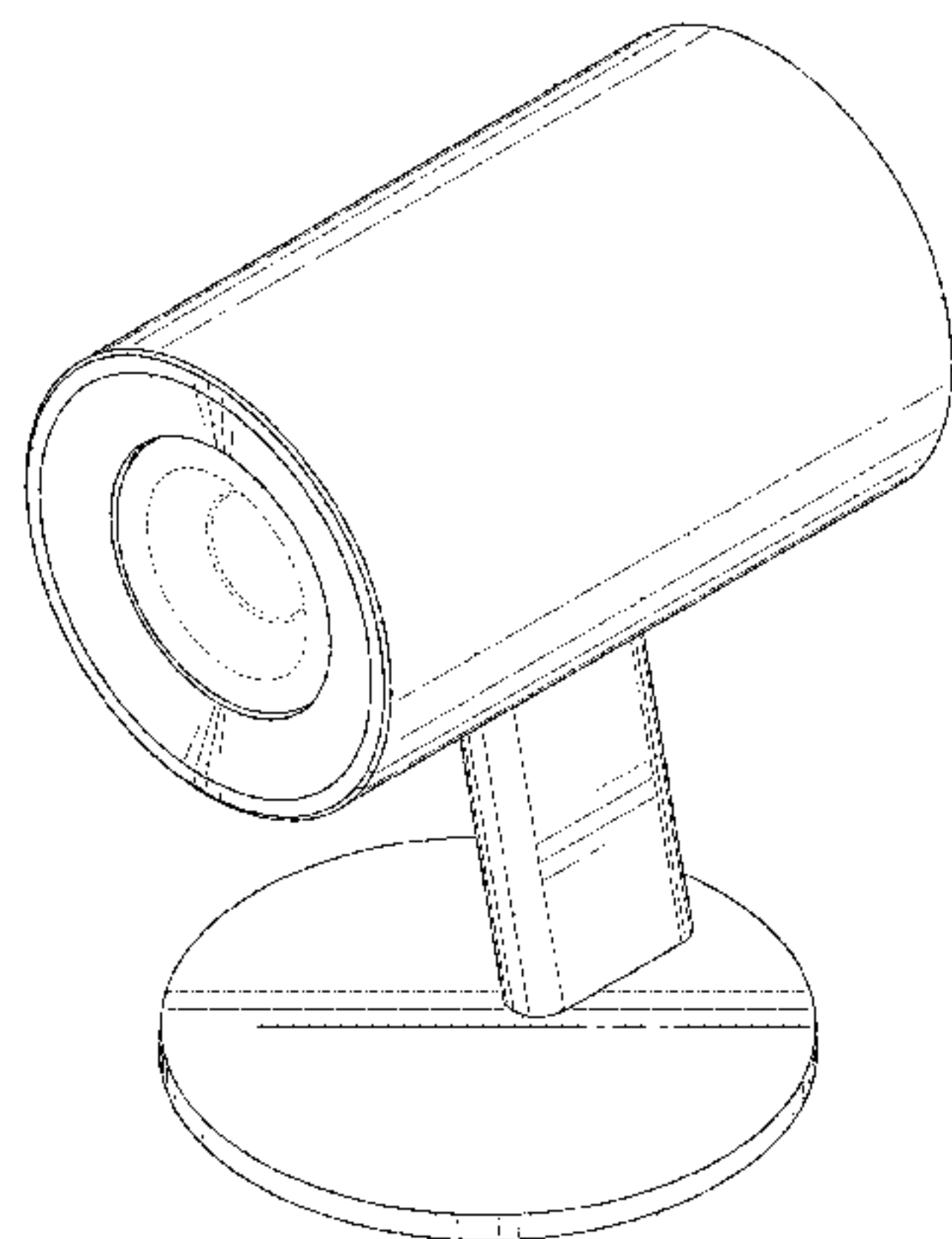
(57) **CLAIM**

We claim the ornamental design for a speaker, as shown and described.

DESCRIPTION

FIG. 1 is a perspective view of a first embodiment of a speaker, showing our new design;
FIG. 2 is a front elevational view thereof;
FIG. 3 is a rear elevational view thereof;
FIG. 4 is a right side elevational view thereof;
FIG. 5 is a left side elevational view thereof;
FIG. 6 is a top plan view thereof; and
FIG. 7 is a bottom plan view thereof.
FIG. 8 is a perspective view of a second embodiment of the speaker;
FIG. 9 is a front elevational view thereof;
FIG. 10 is a rear elevational view thereof;
FIG. 11 is a right side elevational view thereof;
FIG. 12 is a left side elevational view thereof;
FIG. 13 is a top plan view thereof; and,
FIG. 14 is a bottom plan view thereof.
Broken lines are for illustrating unclaimed portions of the speaker and form no part of the claimed design.

1 Claim, 14 Drawing Sheets



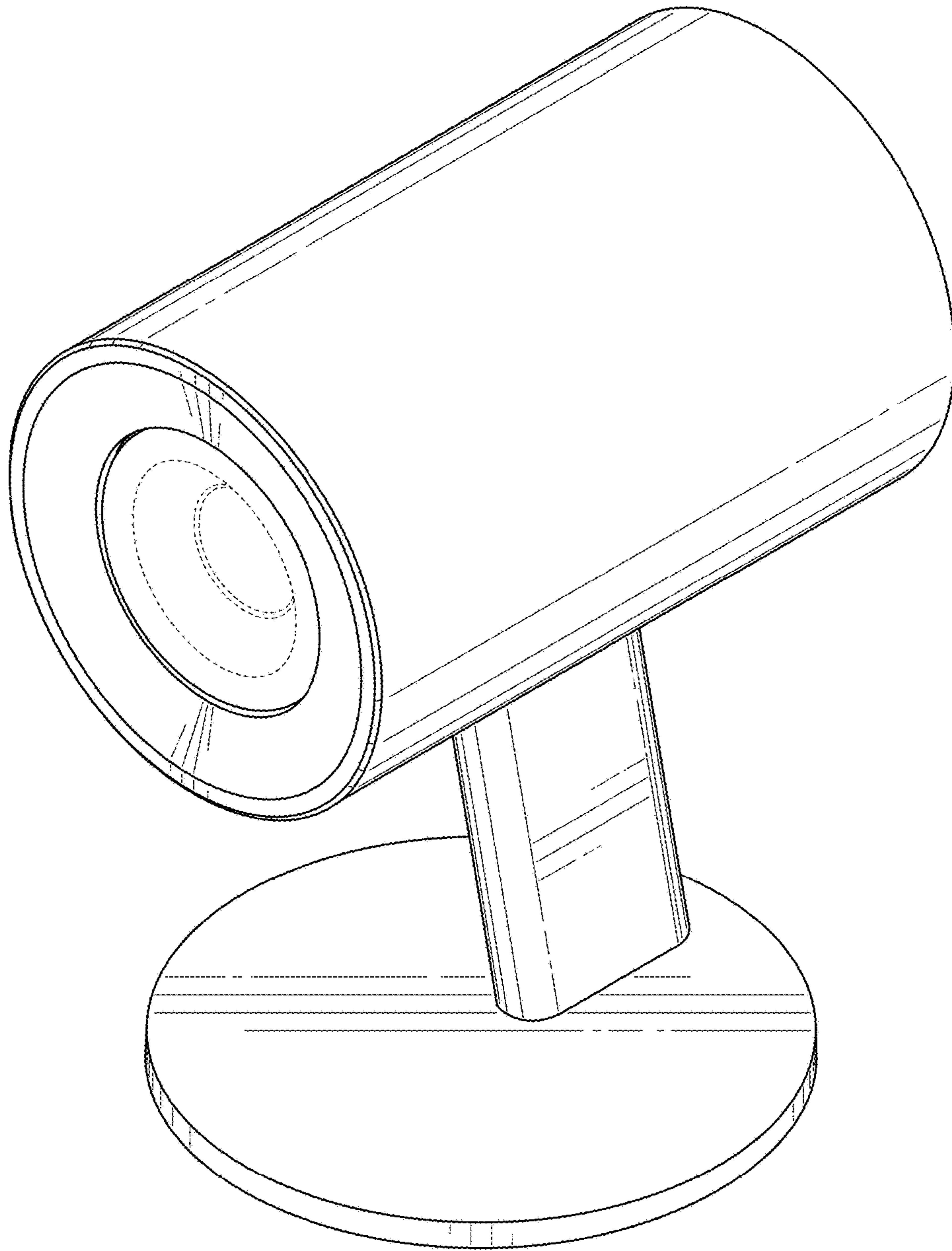


FIG. 1

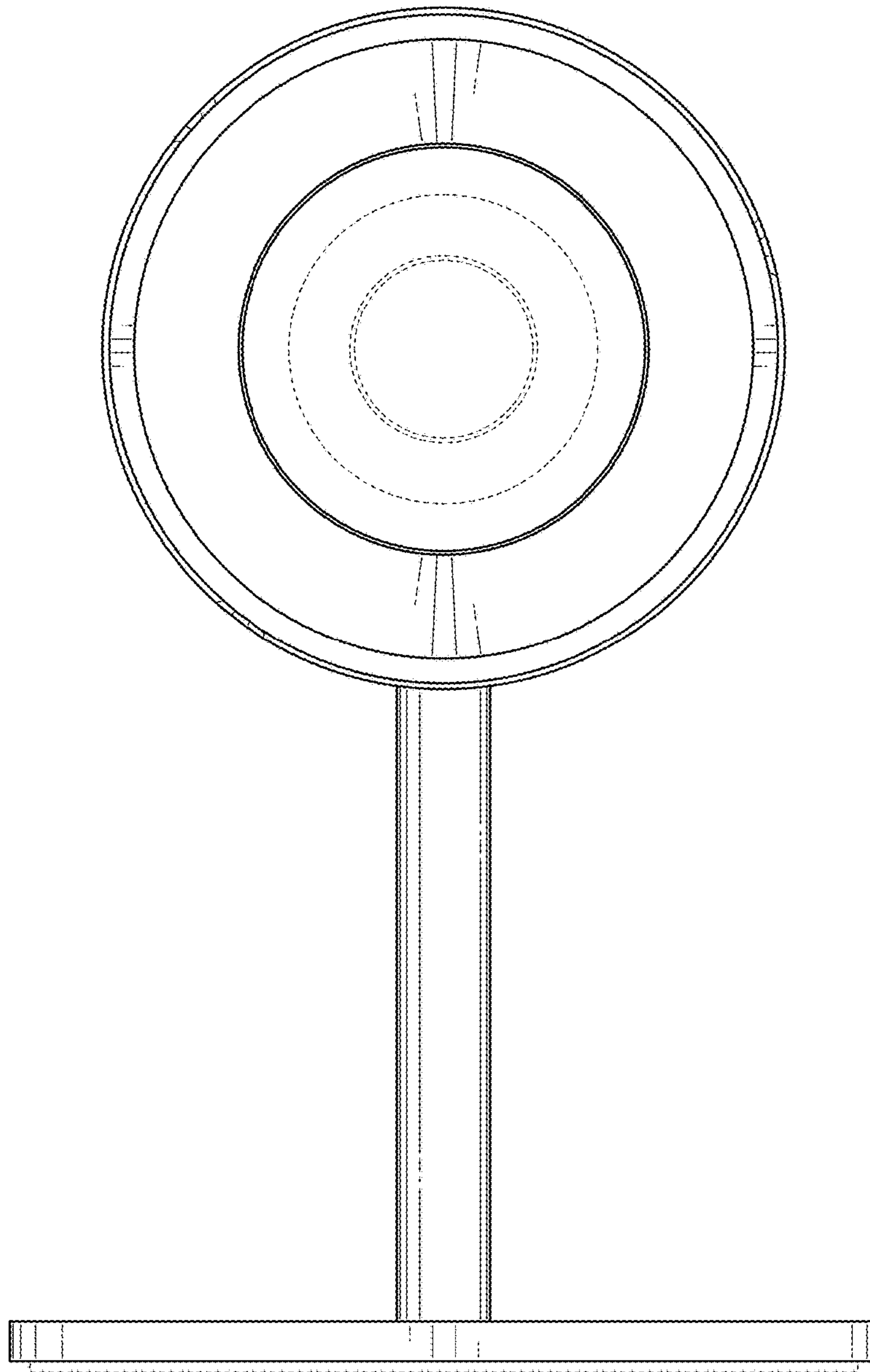


FIG. 2

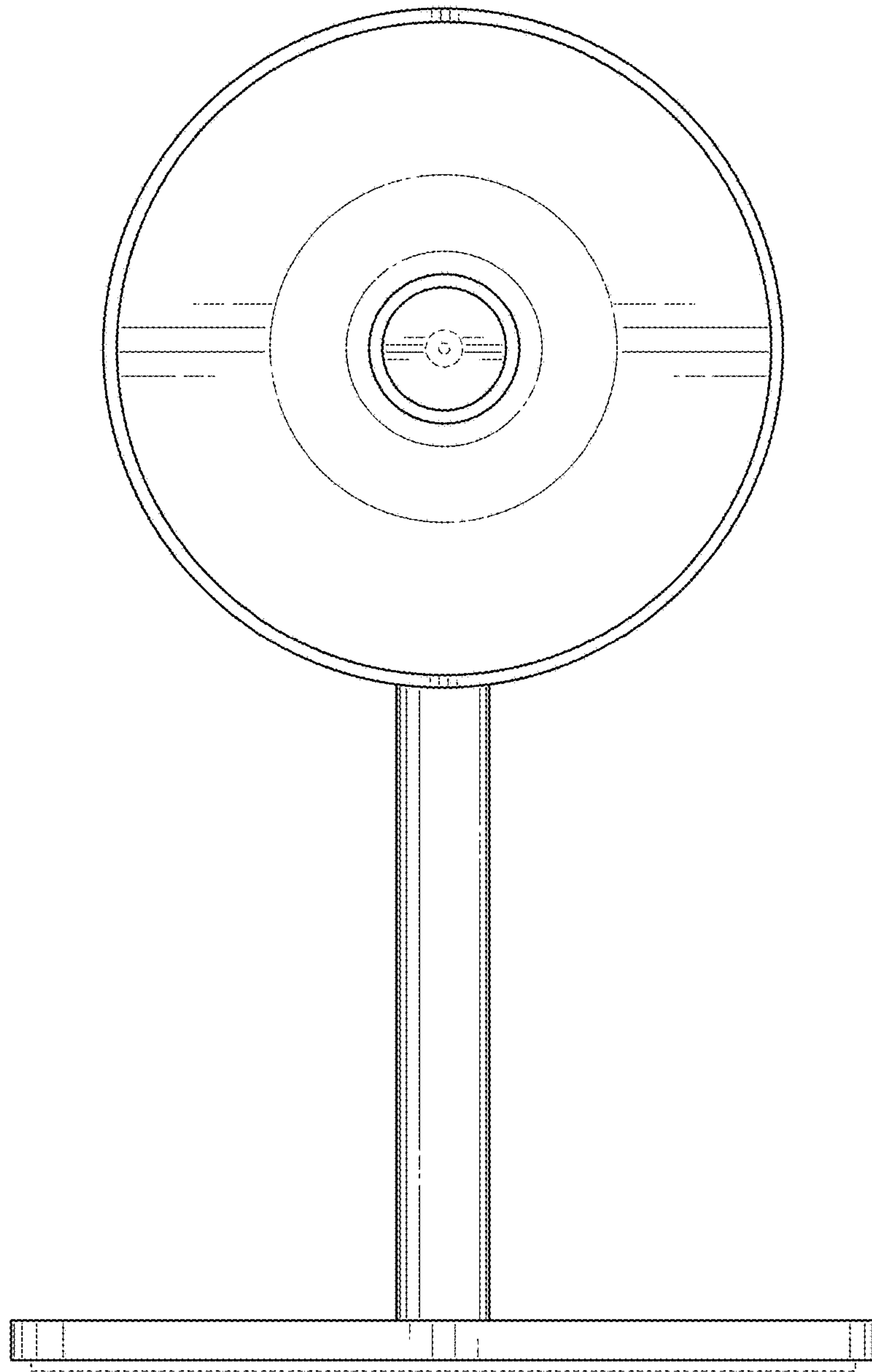


FIG. 3

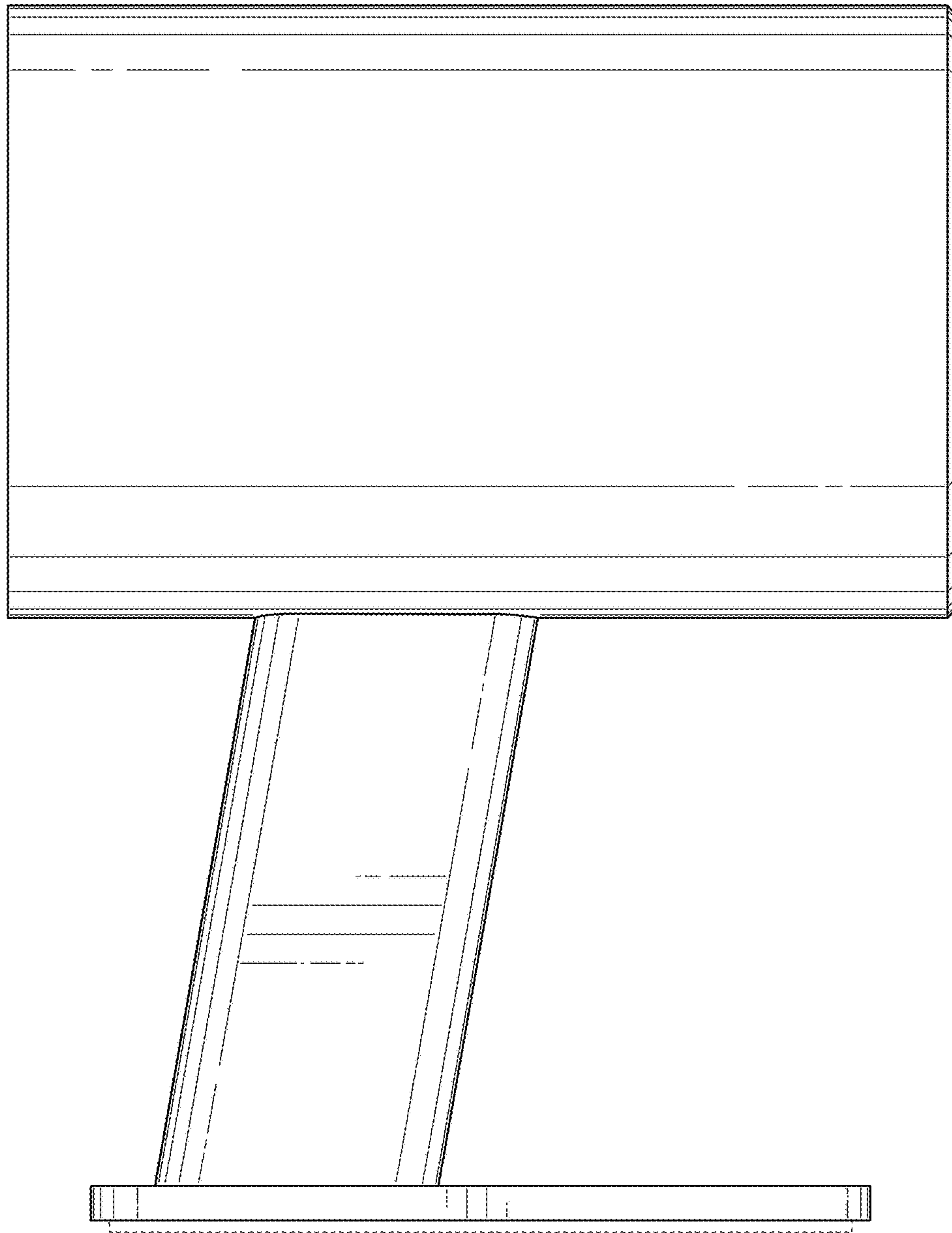


FIG. 4

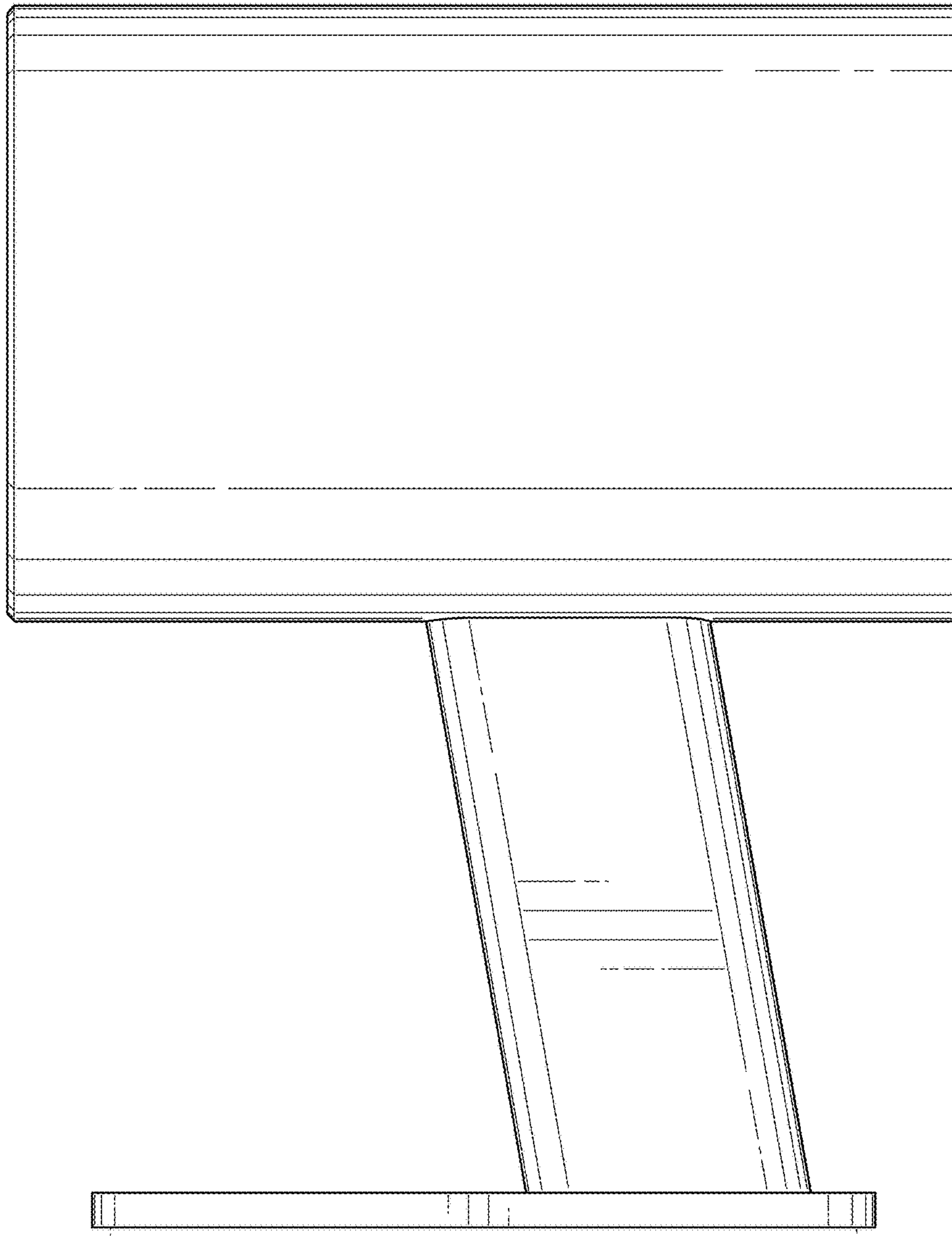


FIG. 5

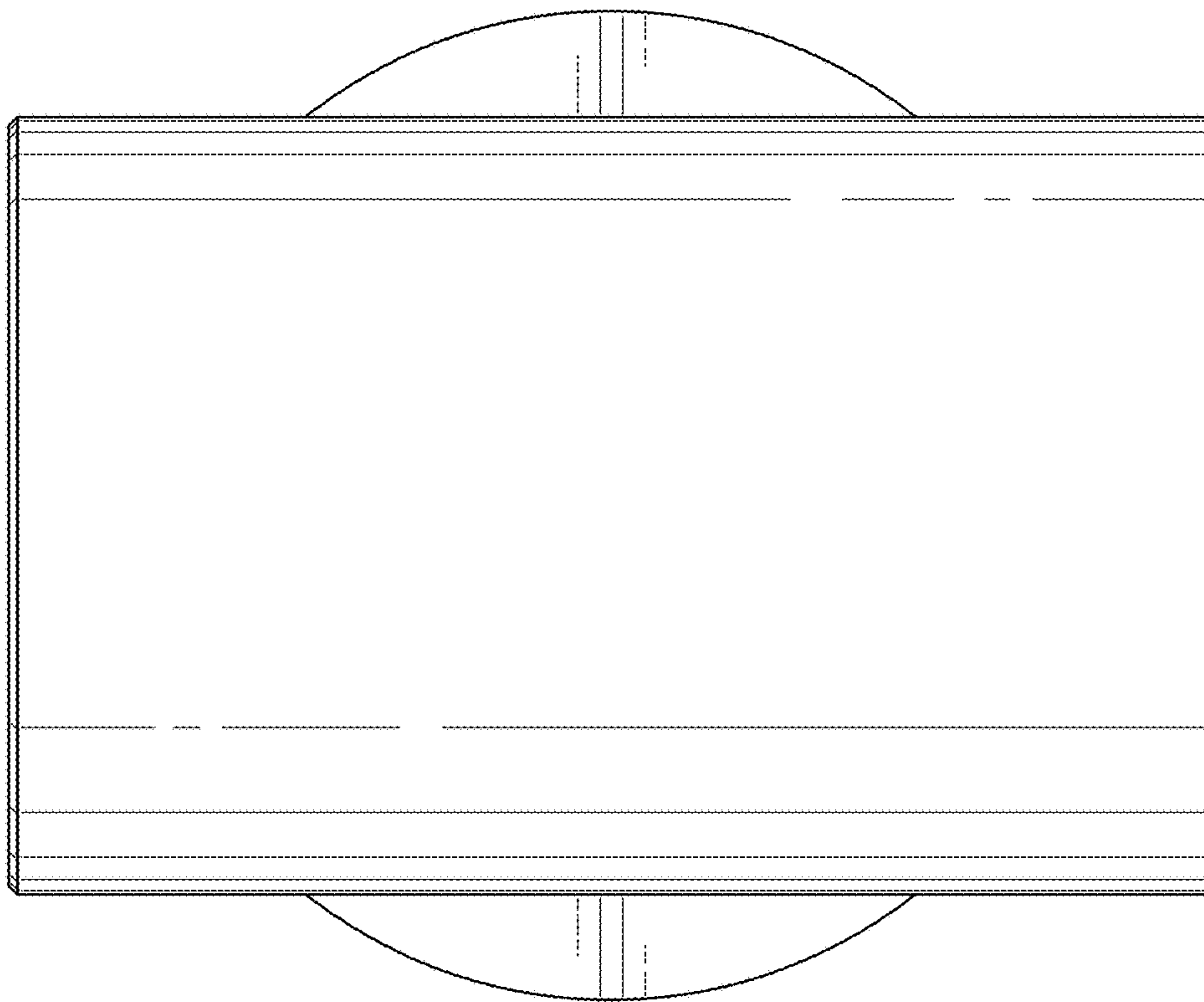


FIG. 6

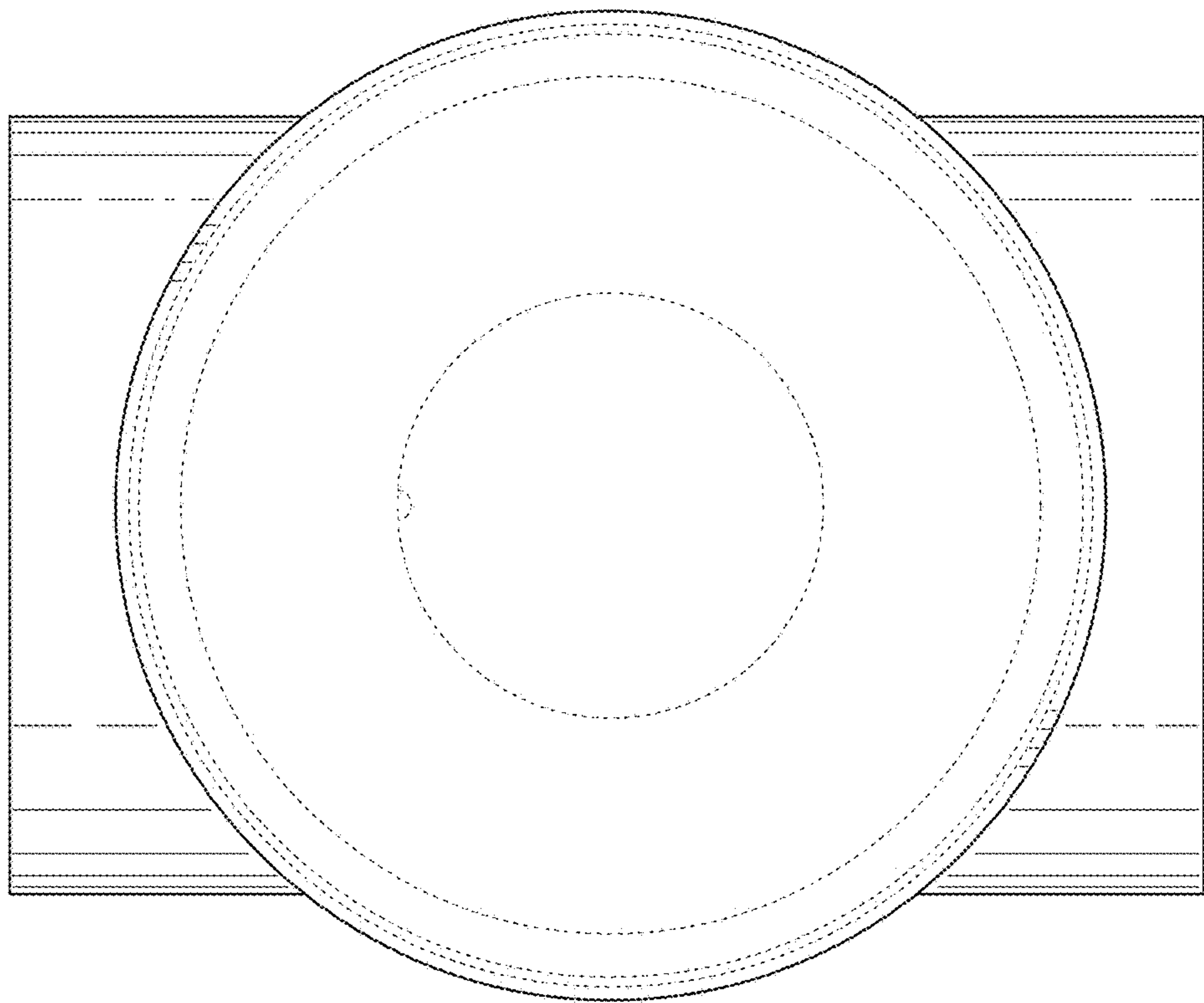


FIG. 7

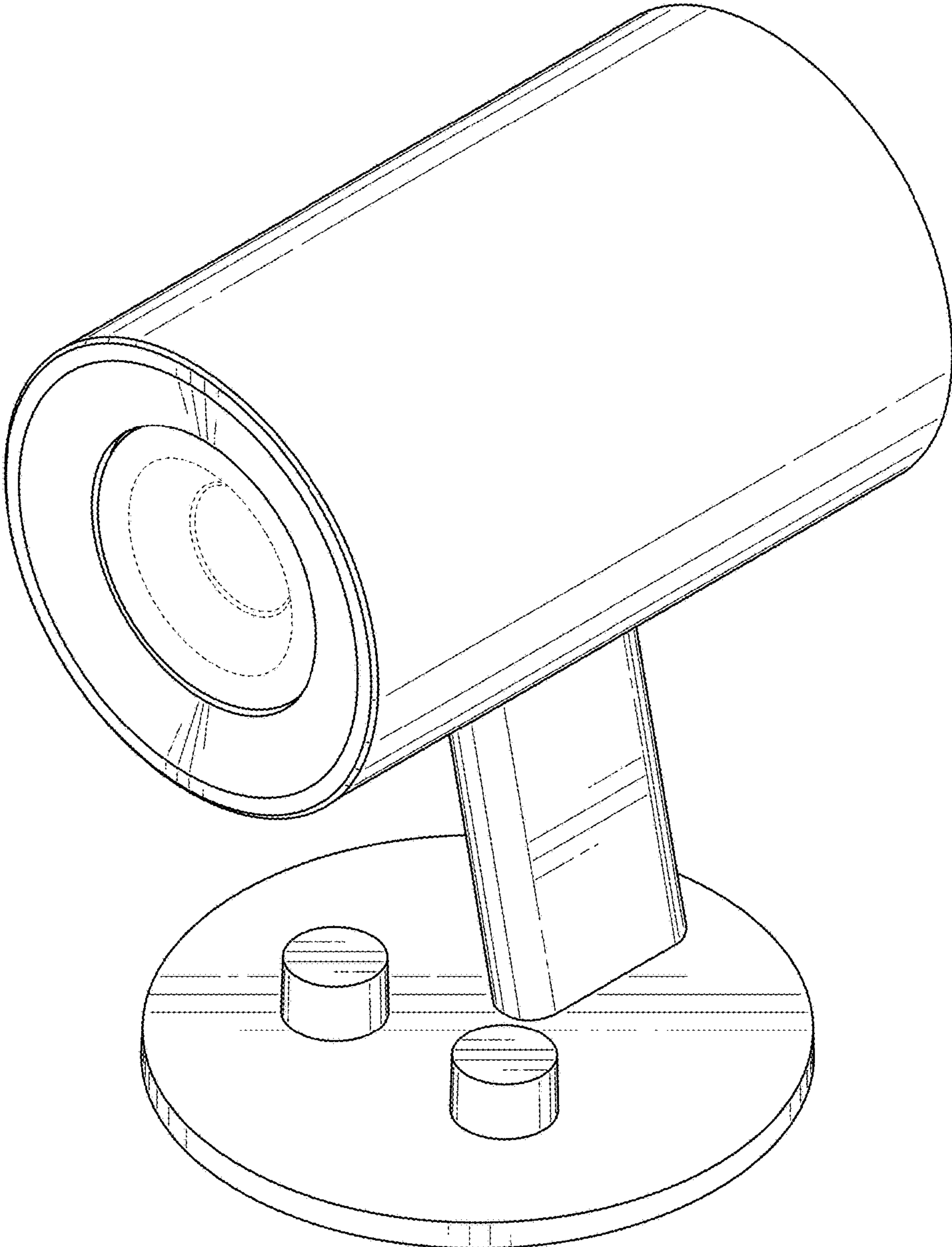


FIG. 8

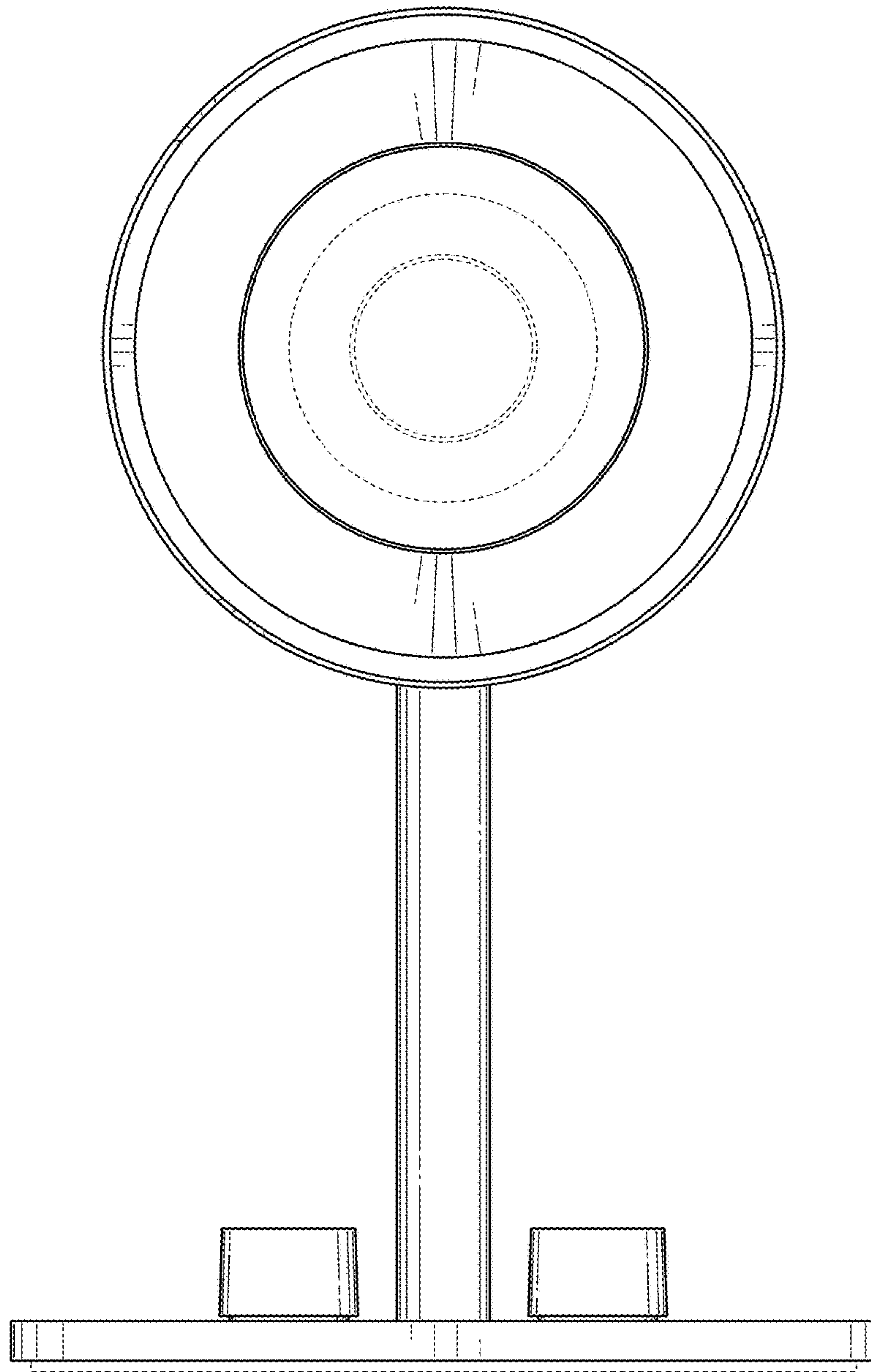


FIG. 9

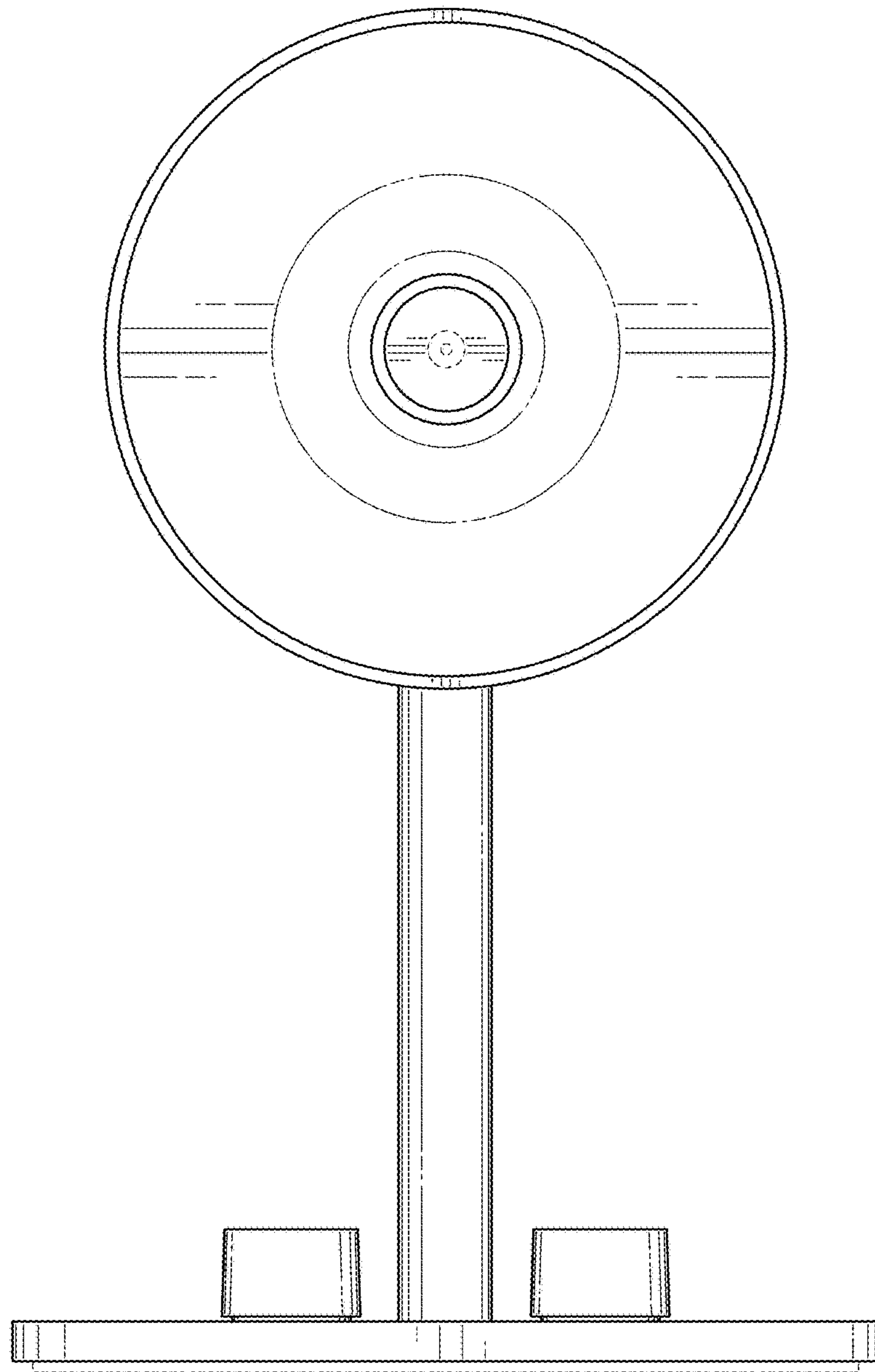


FIG. 10

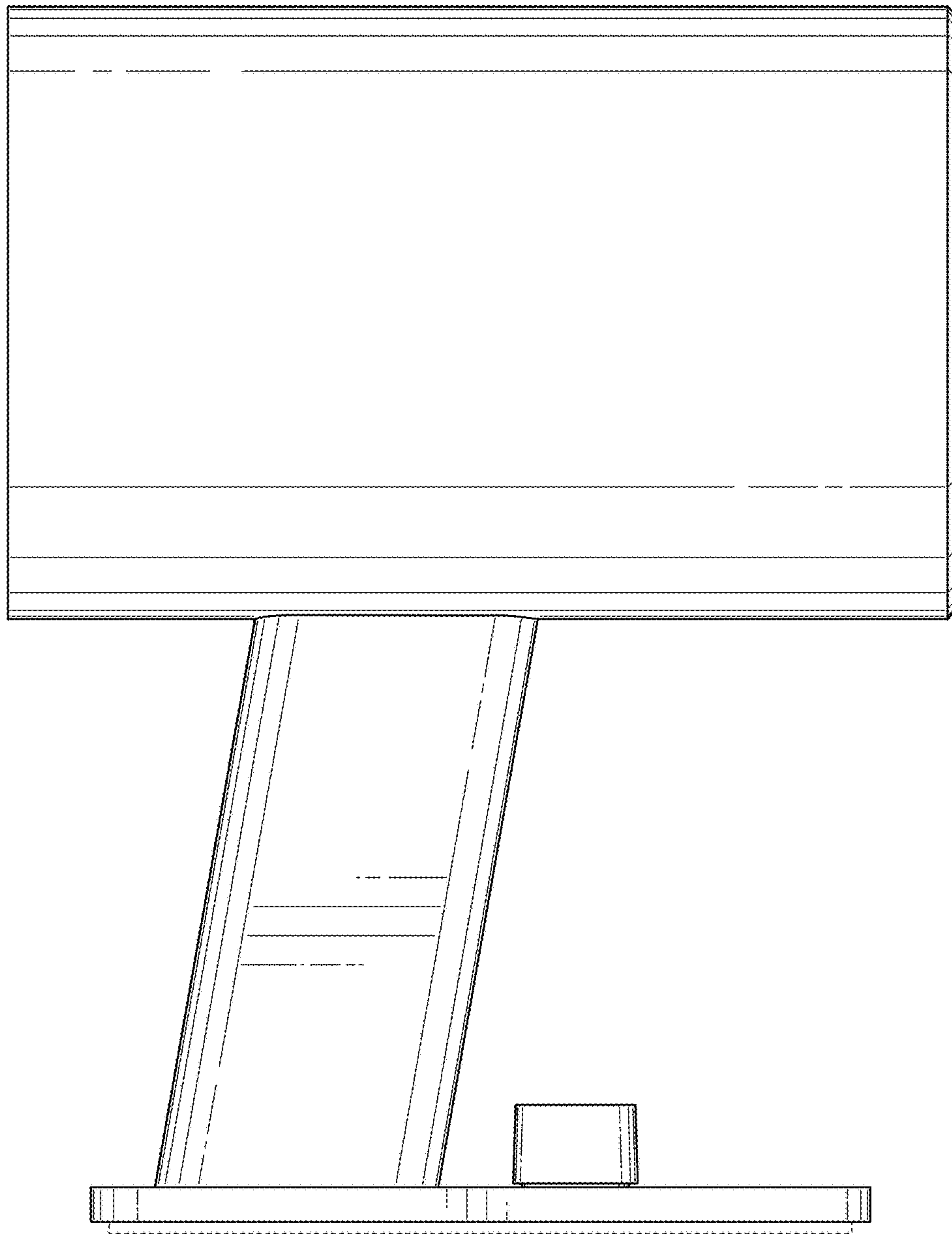


FIG. 11

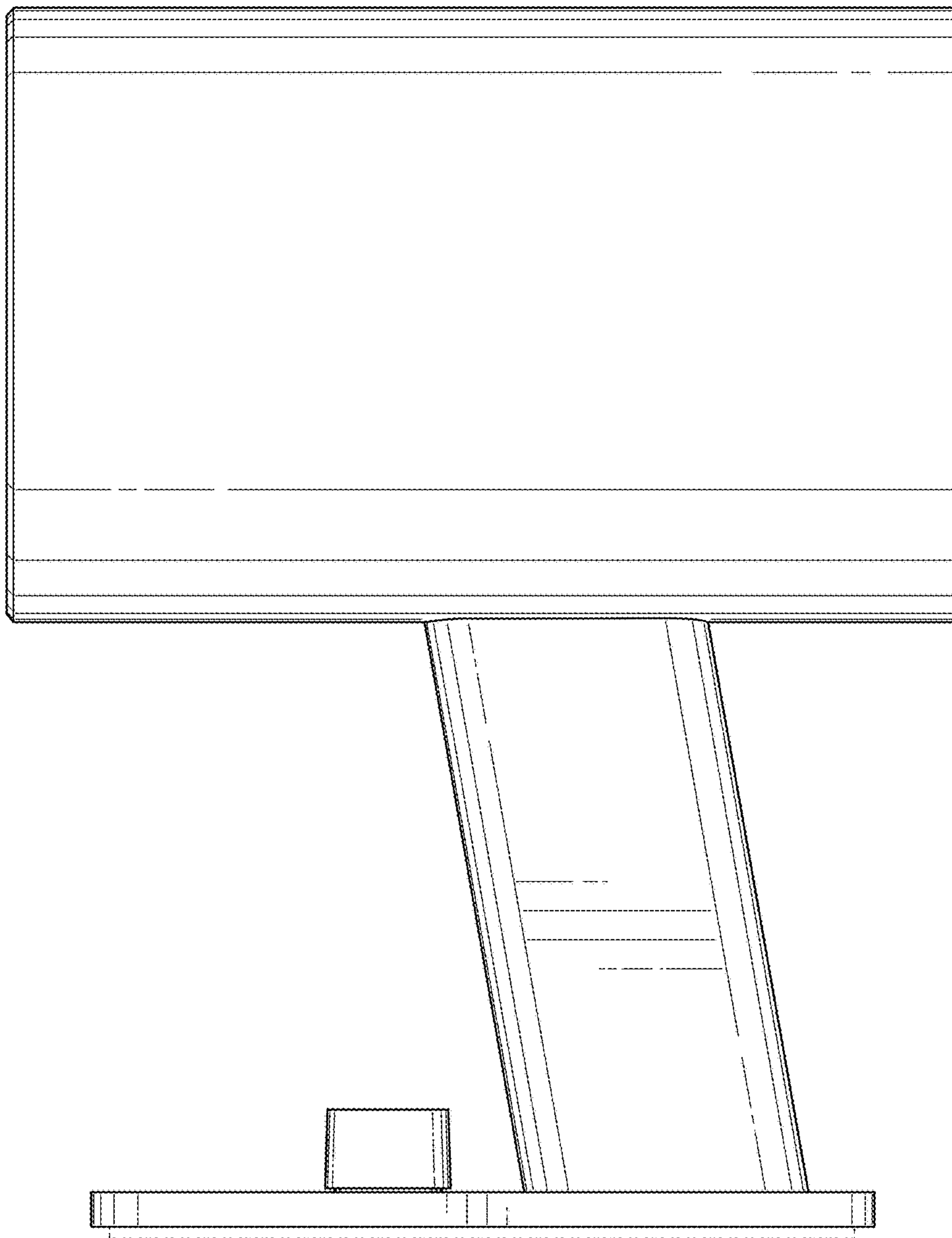


FIG. 12

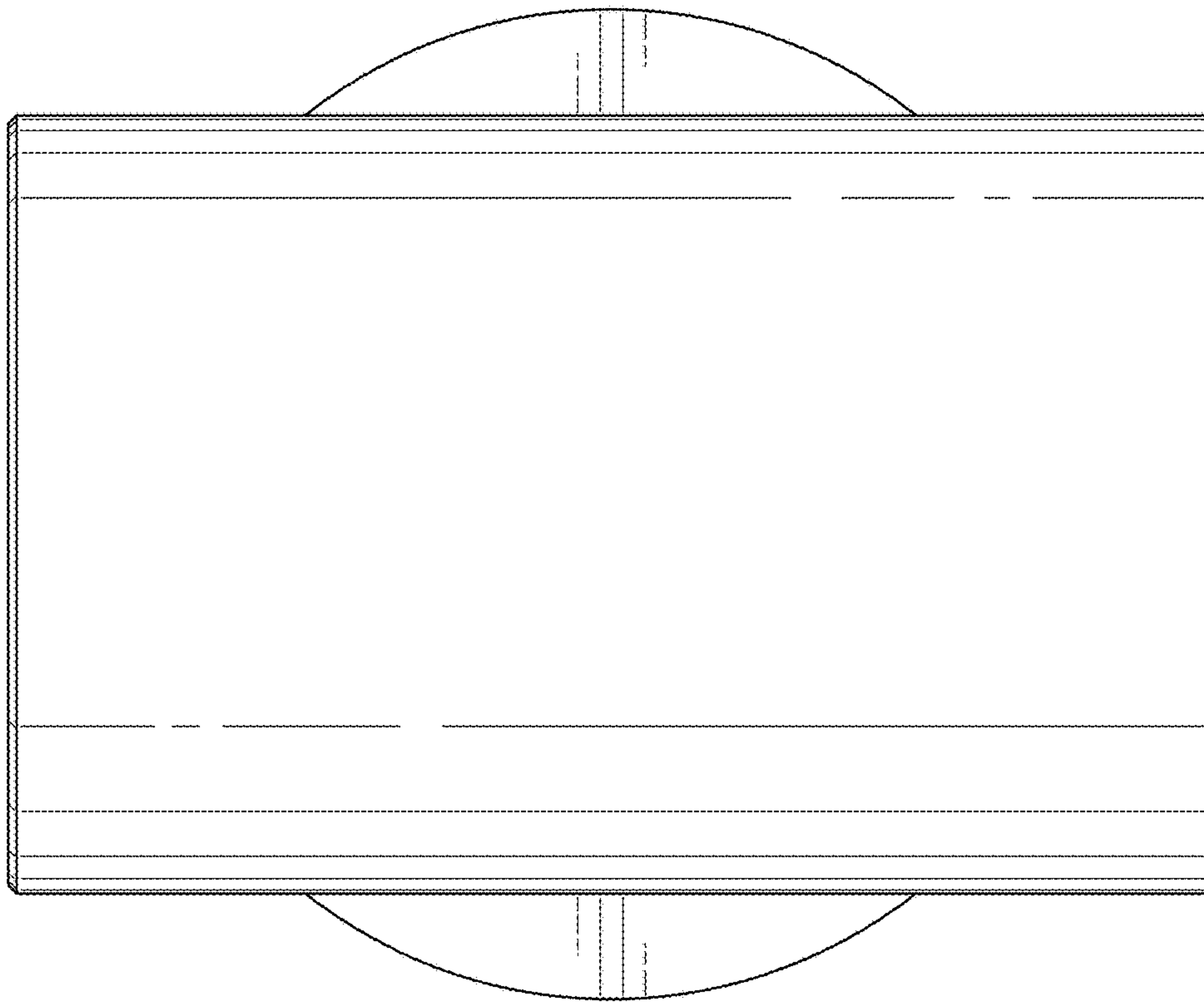


FIG. 13

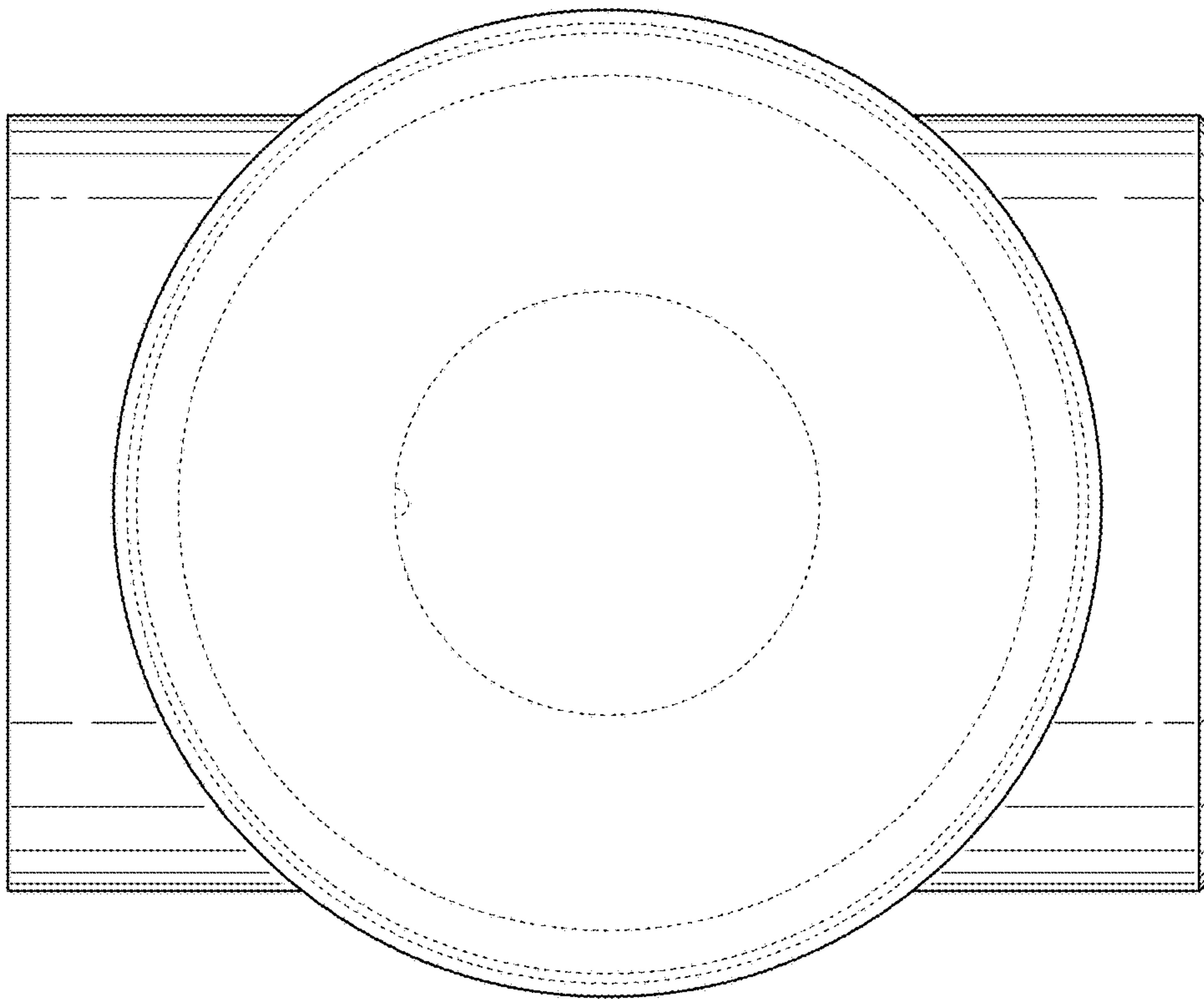


FIG. 14