



US00D855583S

(12) **United States Design Patent** (10) **Patent No.:** **US D855,583 S**
Capecelatro et al. (45) **Date of Patent:** **** Aug. 6, 2019**

(54) **INTERACTIVE SPEAKER DEVICE** H04R 2499/11; H04R 2499/13; H04R 2499/15; H04S 3/00; H04S 7/30

(71) Applicant: **Josh.ai LLC**, Denver, CO (US) See application file for complete search history.

(72) Inventors: **Alex Nathan Capecelatro**, Los Angeles, CA (US); **Timothy Earl Gill**, Denver, CO (US); **Jason Hsin**, Los Angeles, CA (US); **Cole Justin Derby**, East Palo Alto, CA (US); **Daniel K. Harden**, Palo Alto, CA (US)

(73) Assignee: **Josh.ai LLC**, Denver, CO (US)

(**) Term: **15 Years**

(21) Appl. No.: **29/614,845**

(22) Filed: **Aug. 23, 2017**

(51) **LOC (12) Cl.** **14-01**

(52) **U.S. Cl.**
USPC **D14/216**

(58) **Field of Classification Search**
USPC D14/167, 168, 170–172, 188, 194–196, D14/204, 209.1, 210–216, 219, 221, 222, D14/224, 239, 496, 129–131, 140, 141.2, D14/141.3, 11, 144, 192, 195, 198, 218, D14/356, 358, 371, 507, 509, 510, 492, D14/494; D9/609
CPC B60R 11/0217; G06F 1/1688; G10K 9/22; G10K 11/004; H03F 1/327; H04M 1/03; H04M 1/035; H04N 5/642; H04N 21/4852; H04R 1/02; H04R 1/06; H04R 1/021; H04R 1/025; H04R 1/028; H04R 1/105; H04R 1/323; H04R 1/403; H04R 1/2803; H04R 1/2834; H04R 5/02; H04R 7/20; H04R 9/06; H04R 9/025; H04R 2201/021; H04R 2400/00; H04R 2400/07;

(56) **References Cited**

U.S. PATENT DOCUMENTS

D584,290 S *	1/2009	Lee	D14/216
D632,281 S *	2/2011	Hoehn	D14/218
D691,587 S *	10/2013	Ferber	D14/216
D700,904 S *	3/2014	Miller	D13/168
D714,248 S *	9/2014	Chang	D14/140
D820,318 S *	6/2018	Mullins	D14/496
D826,205 S *	8/2018	Langhammer	D14/203.6
D834,002 S *	11/2018	Bergfeldt	D14/218

* cited by examiner

Primary Examiner — Keli L Hill

(74) *Attorney, Agent, or Firm* — Van Pelt, Yi & James LLP

(57) **CLAIM**

We claim the ornamental design for an interactive speaker device, as shown and described.

DESCRIPTION

FIG. 1 is a perspective view of an interactive speaker device showing our new design.

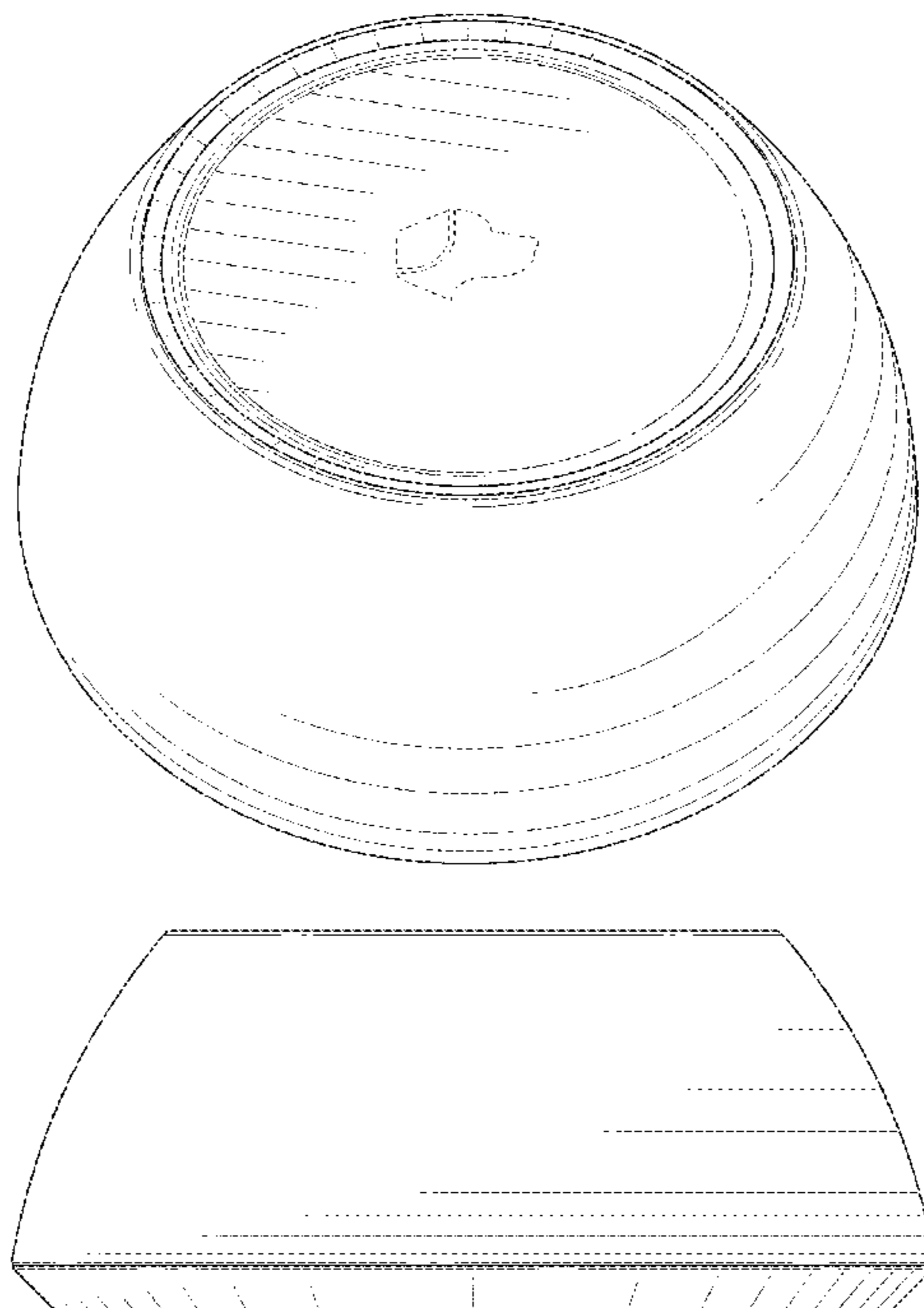
FIG. 2 is a front side view thereof.

FIG. 3 is a top view thereof; and,

FIG. 4 is a bottom view thereof.

The broken line drawing of the logo in FIG. 1 and FIG. 3 and the logo and text in FIG. 4 are for illustrative purposes only and form no part of the claims design.

1 Claim, 3 Drawing Sheets



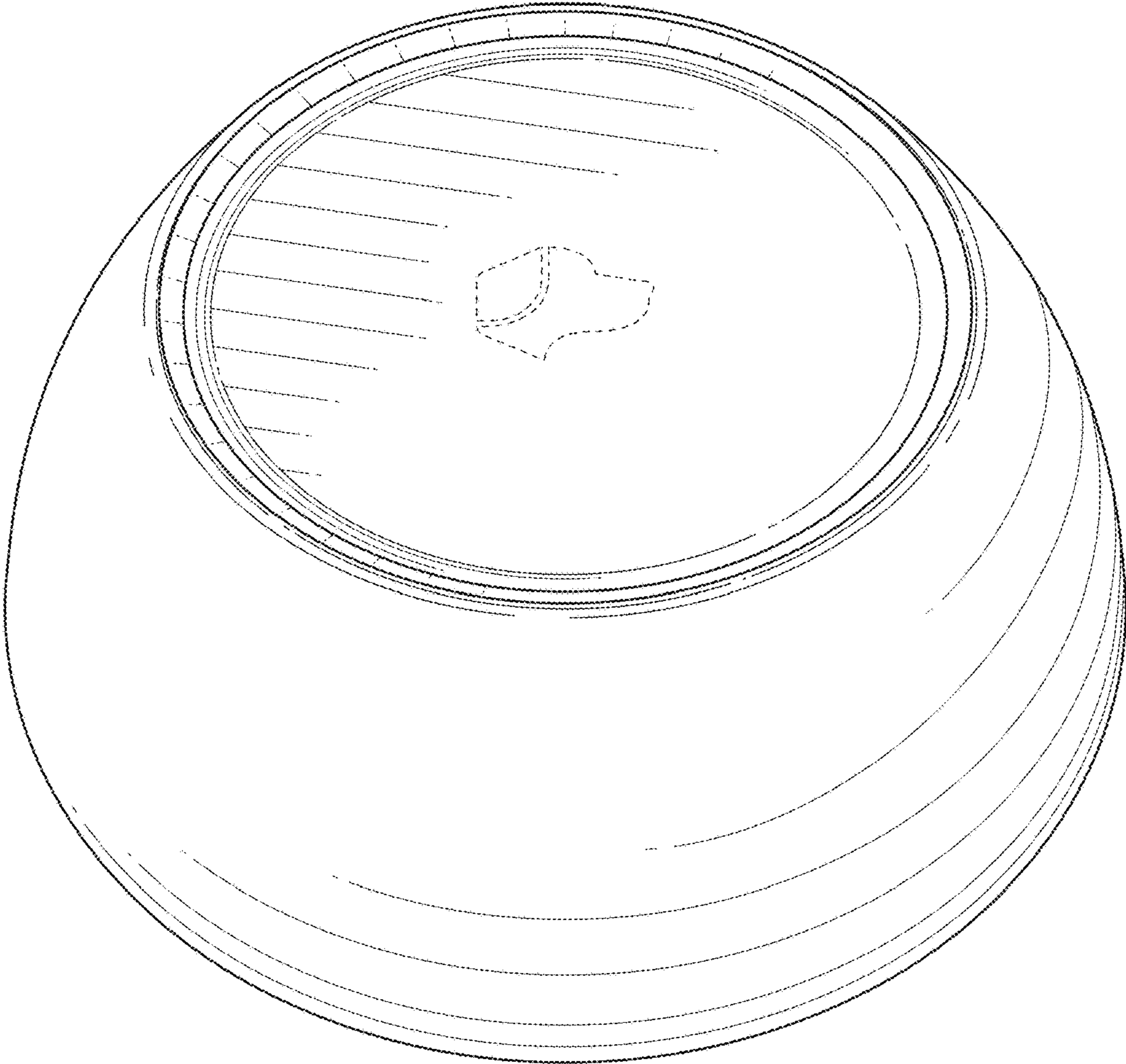


FIG. 1

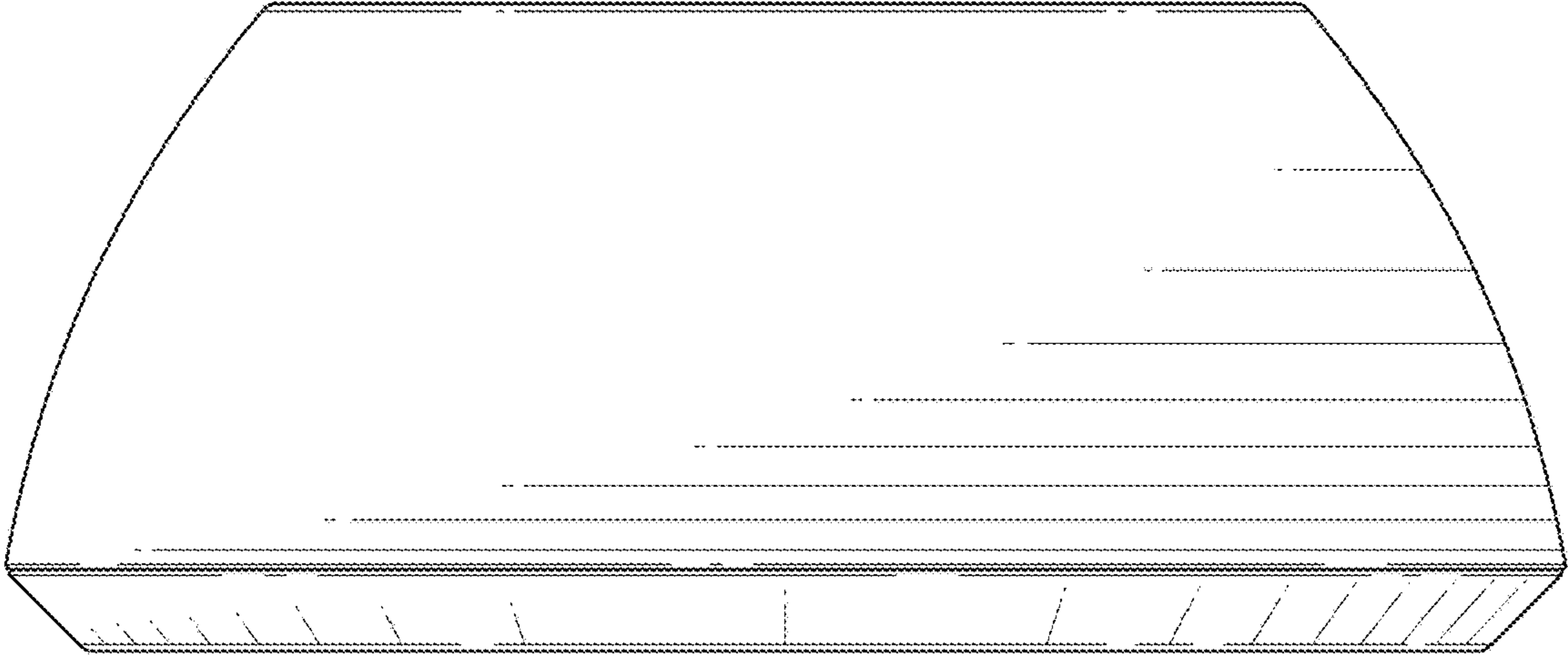


FIG. 2

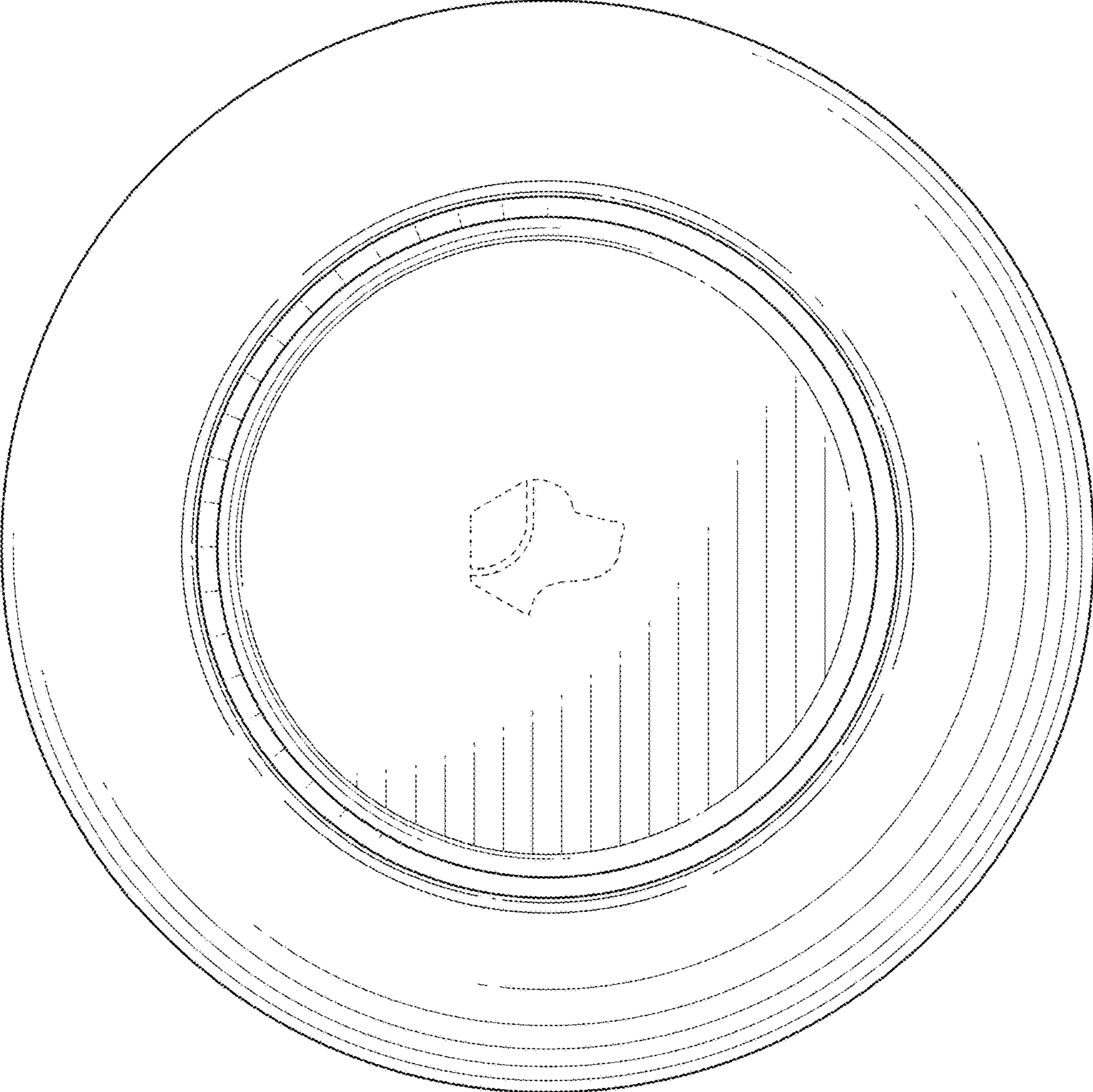


FIG. 3

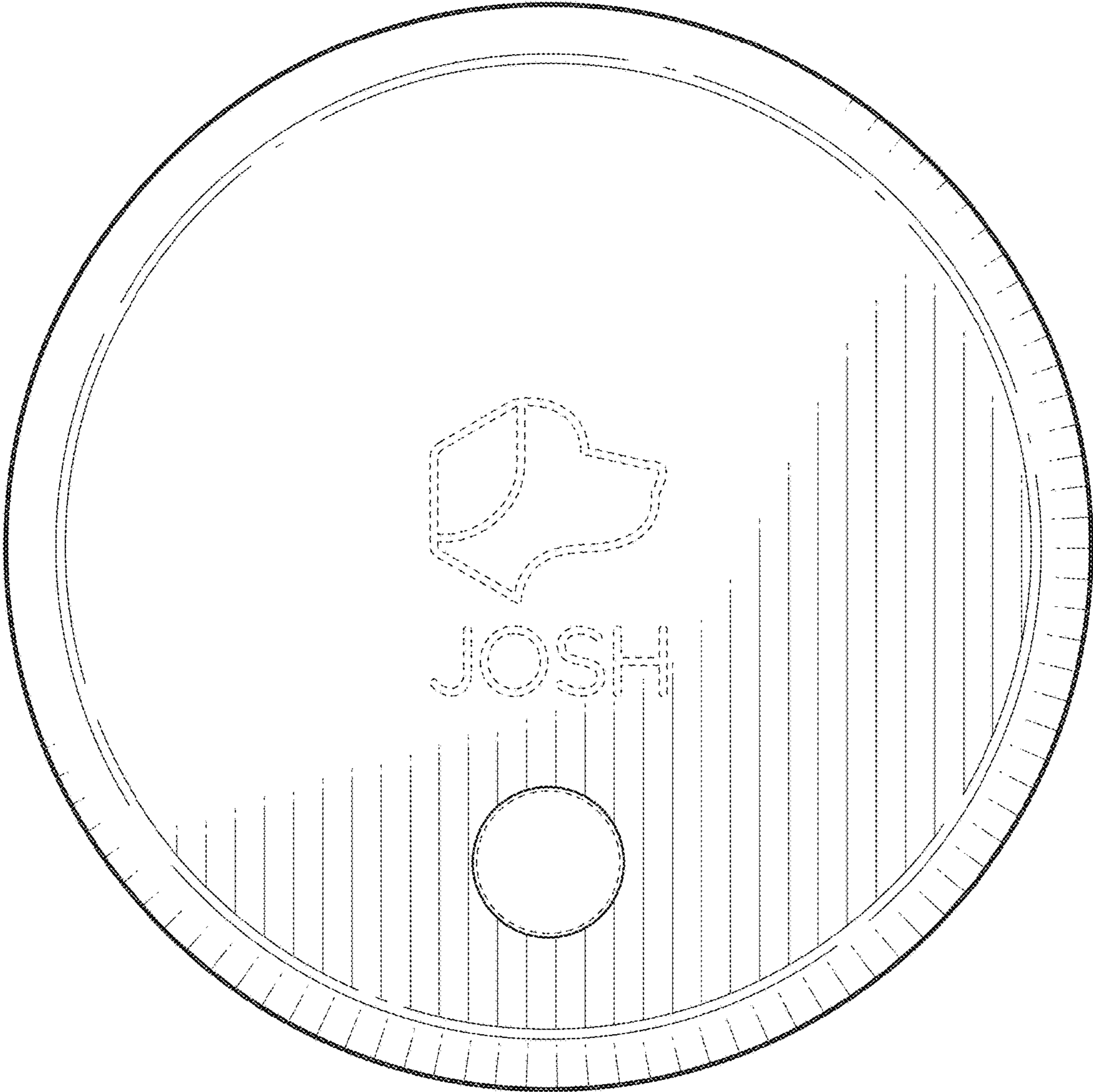


FIG. 4