



US00D855582S

(12) **United States Design Patent**
Shin et al.

(10) **Patent No.:** **US D855,582 S**

(45) **Date of Patent:** **** Aug. 6, 2019**

(54) **WIRELESS HEADSET**

(71) Applicant: **LG ELECTRONICS INC.**, Seoul
(KR)

(72) Inventors: **Cheolwoong Shin**, Seoul (KR);
Dongsoon Kim, Seoul (KR); **Seungyup Lee**, Seoul (KR)

(73) Assignee: **LG ELECTRONICS INC.**, Seoul
(KR)

(**) Term: **15 Years**

(21) Appl. No.: **35/504,323**

(22) Filed: **Jul. 14, 2017**

(80) **Hague Agreement Data**

Int. Filing Date: **Jul. 14, 2017**
Int. Reg. No.: **DM/097002**
Int. Reg. Date: **Jul. 14, 2017**
Int. Reg. Pub. Date: **Jan. 19, 2018**

(30) **Foreign Application Priority Data**

Jan. 17, 2017 (KR) 30-2017-0002861

(51) **LOC (12) Cl.** **14-01**

(52) **U.S. Cl.**
USPC **D14/205**

(58) **Field of Classification Search**

USPC D14/204, 205, 206, 223, 224, 225, 249,
D14/372, 433, 138 R, 188, 192, 172,
D14/203.1, 191, 496; D24/174
CPC H04R 25/00; H04R 1/10; H04R 1/10016;
H04R 1/105; H04R 1/1083; H04R 1/02
See application file for complete search history.

(56) **References Cited**

U.S. PATENT DOCUMENTS

D351,597 S * 10/1994 Nakamura D14/205
D800,089 S * 10/2017 Park D14/205

D800,090 S * 10/2017 Ahn D14/205
D803,186 S * 11/2017 Park D14/205
D821,352 S * 6/2018 Liden D14/205
D826,899 S * 8/2018 Ahn D14/205
D830,335 S * 10/2018 Shin D14/205
D830,995 S * 10/2018 Shin D14/205
D830,996 S * 10/2018 Park D14/205
D830,998 S * 10/2018 Kim D14/205
D830,999 S * 10/2018 Kim D14/205
D831,609 S * 10/2018 Huang D14/205
D831,611 S * 10/2018 Kim D14/205

(Continued)

Primary Examiner — Barbara Fox

Assistant Examiner — Dana K Weiland

(74) *Attorney, Agent, or Firm* — Birch, Stewart, Kolasch
& Birch, LLP

(57) **CLAIM**

The ornamental design for a wireless headset, as shown and described.

DESCRIPTION

1. Wireless headset

1.1 : Perspective

1.2 : Front

1.3 : Back

1.4 : Left

1.5 : Right

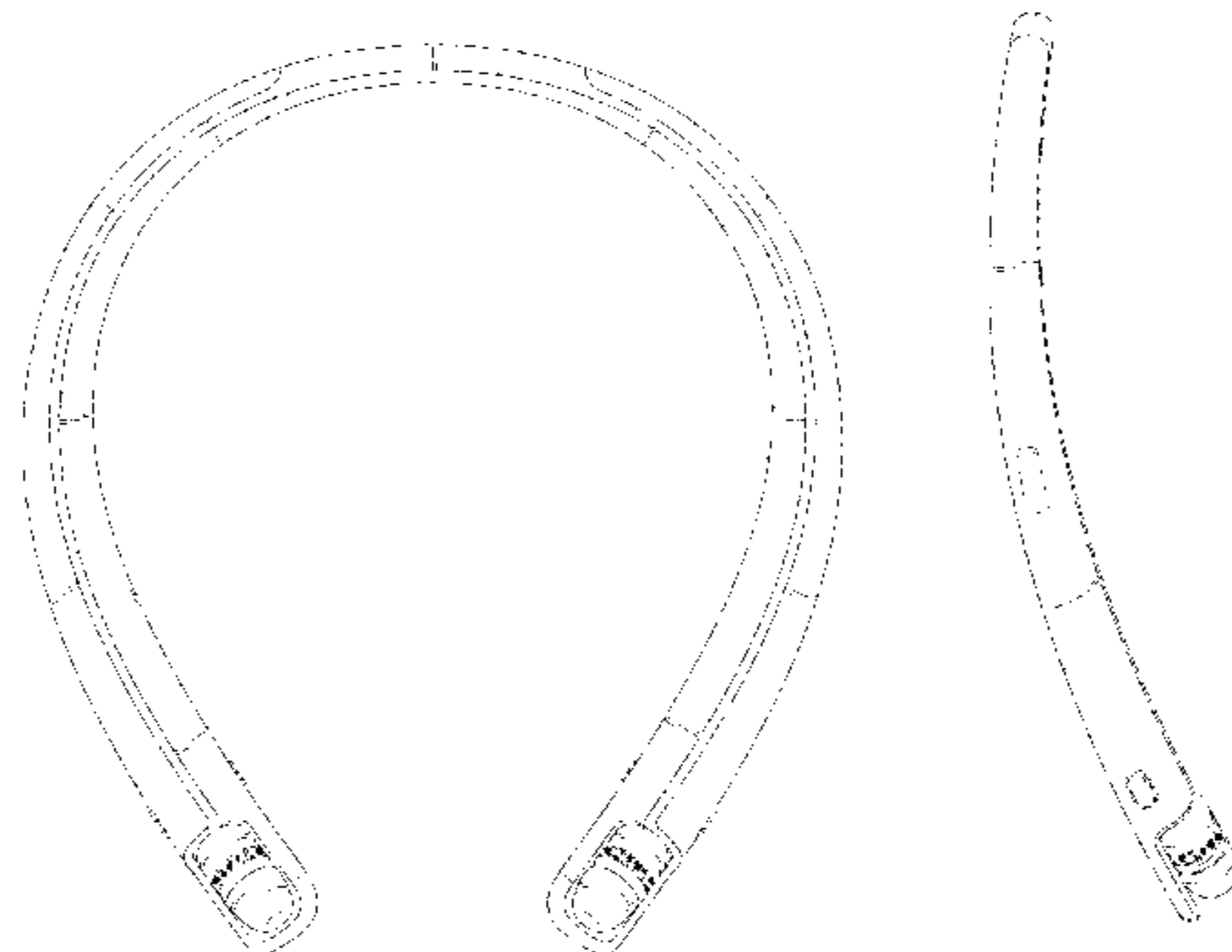
1.6 : Top

1.7 : Bottom

1.8 : Reference

The broken lines shown in the drawings depict portions of the wireless headset that form no part of the claimed design; reproduction 1.1 is a front perspective view of the wireless headset; reproduction 1.2 is a front view thereof; reproduction 1.3 is a back view thereof; reproduction 1.4 is a left view thereof; reproduction 1.5 is a right view thereof; reproduction 1.6 is a top view thereof; reproduction 1.7 is a bottom view thereof; reproduction 1.8 is a reference view thereof showing the state of use.

1 Claim, 8 Drawing Sheets



(56)

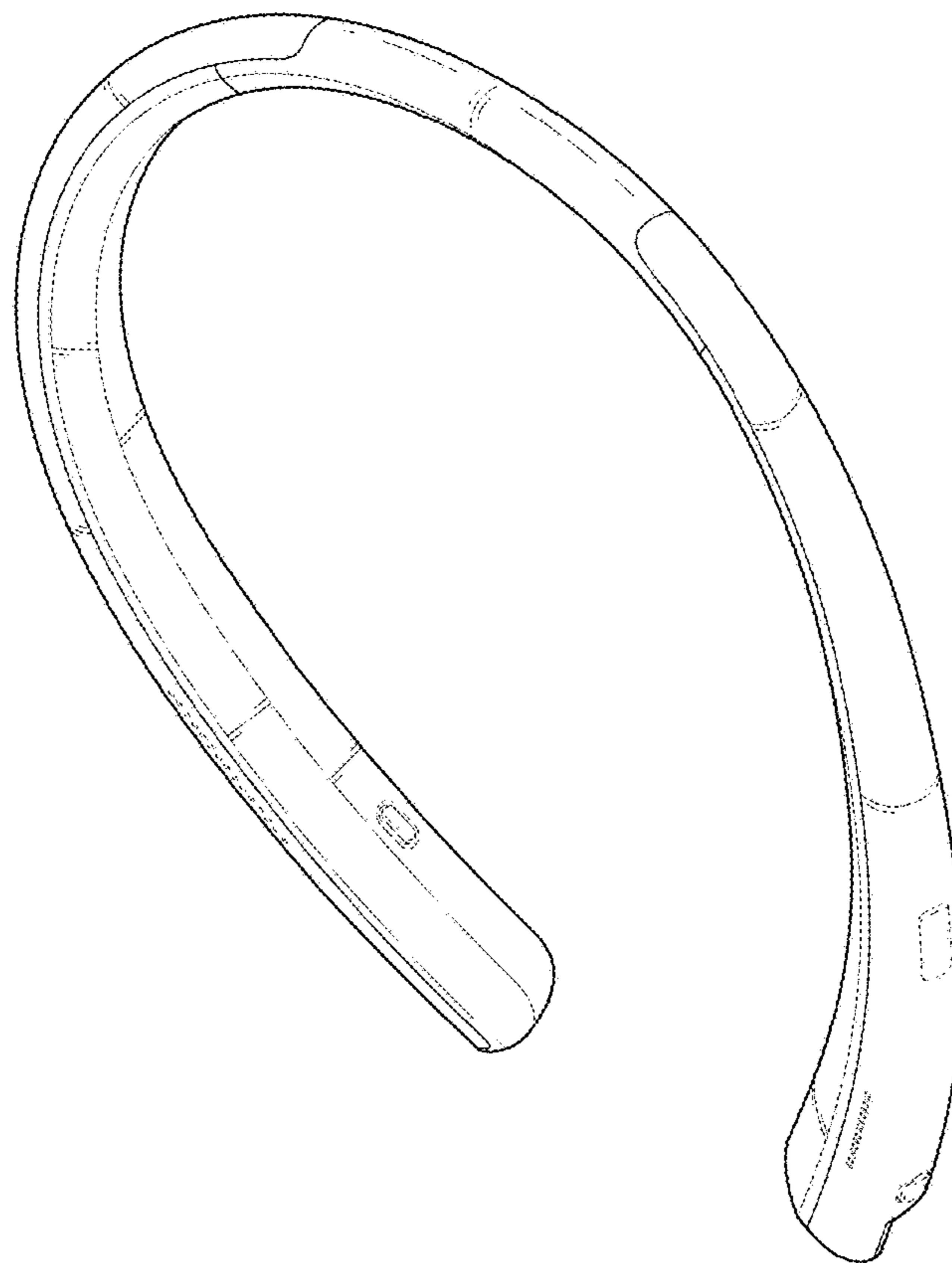
References Cited

U.S. PATENT DOCUMENTS

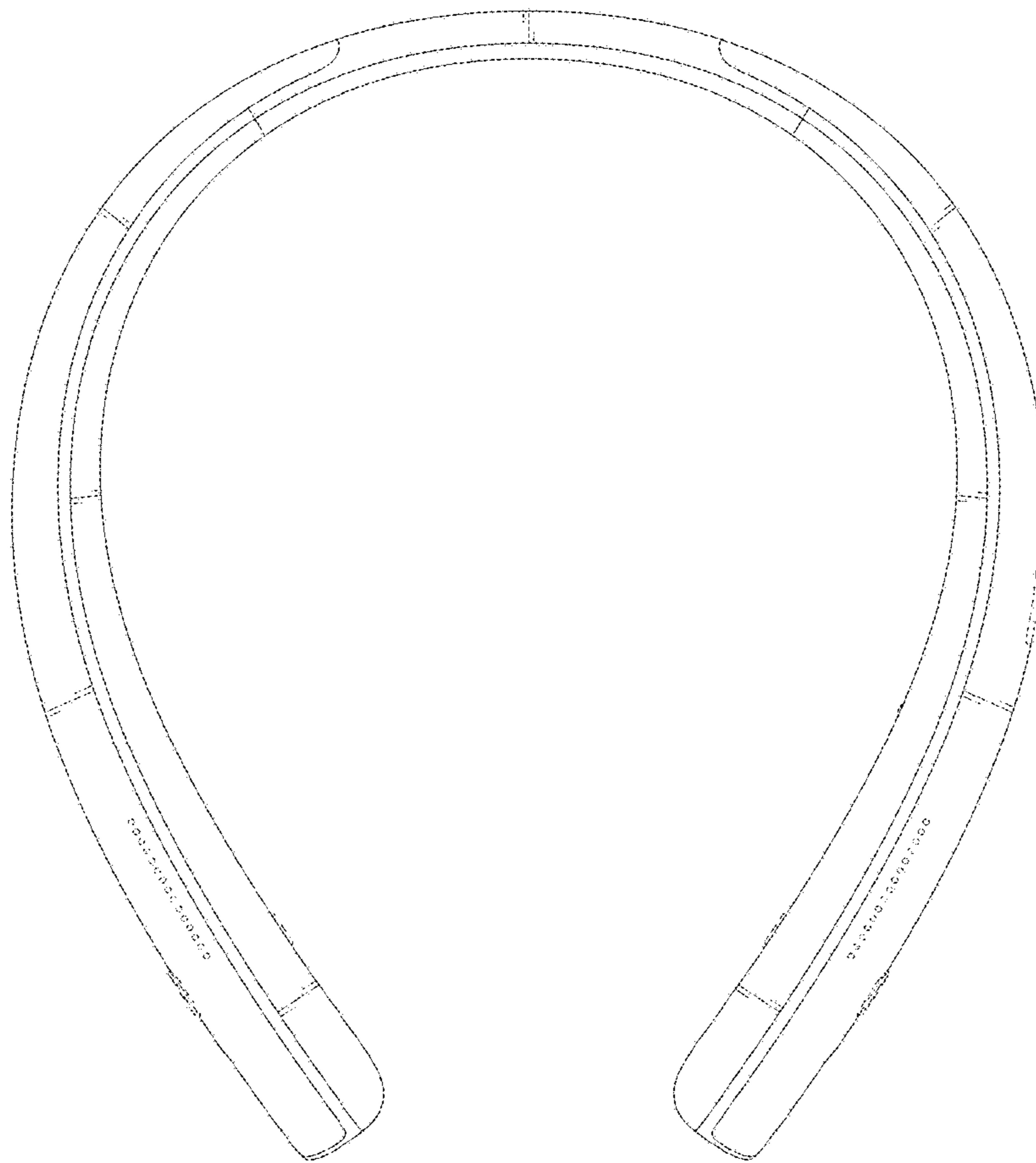
D832,814 S * 11/2018 Kim D14/205
D832,815 S * 11/2018 Park D14/205
D832,816 S * 11/2018 Park D14/205
D832,819 S * 11/2018 Park D14/205
2017/0195768 A1* 7/2017 Kim H04B 1/034

* cited by examiner

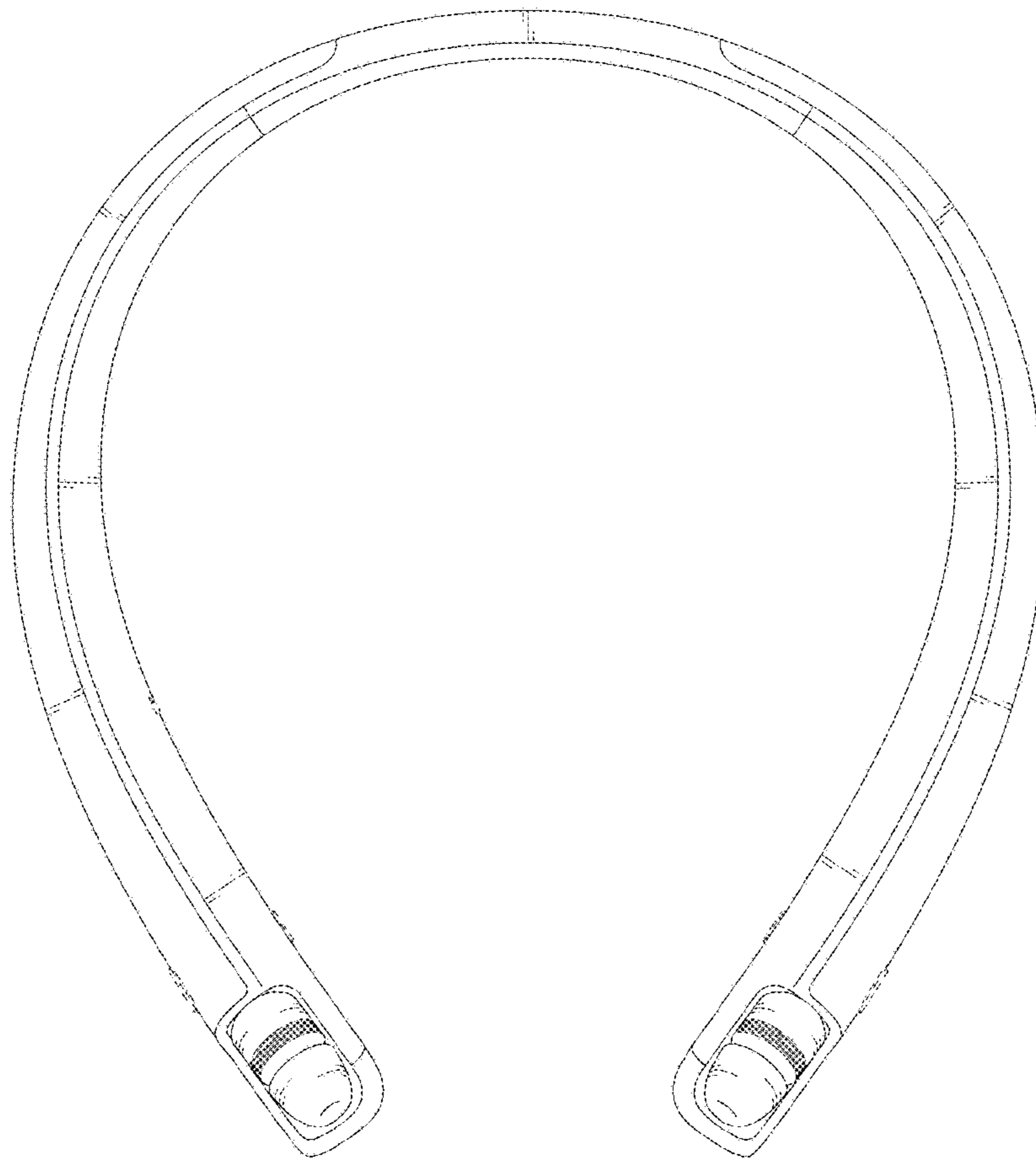
1.1



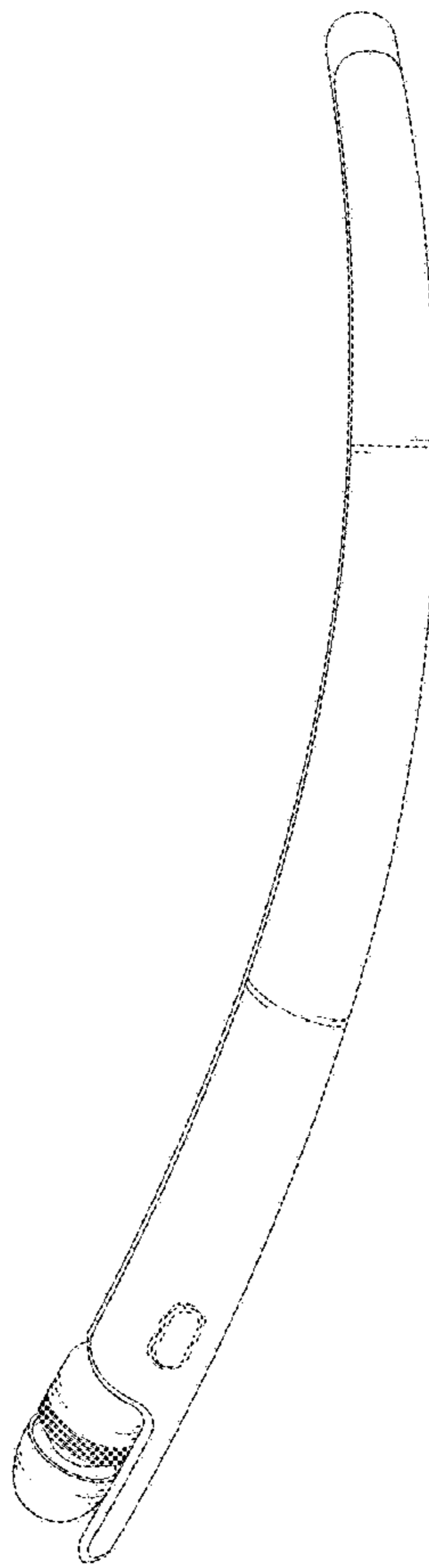
1.2



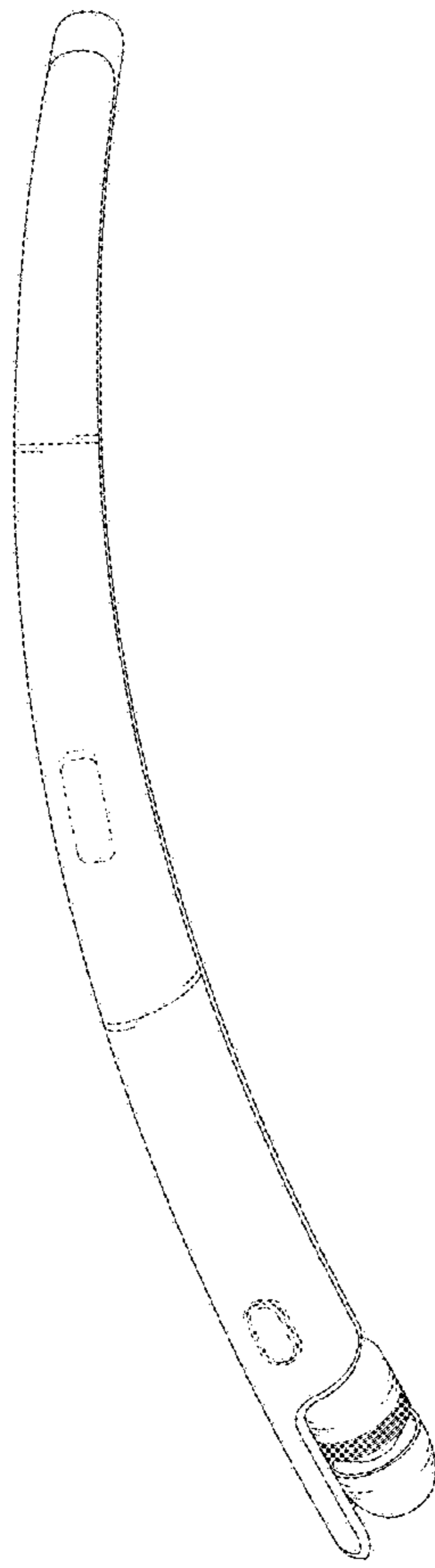
1.3



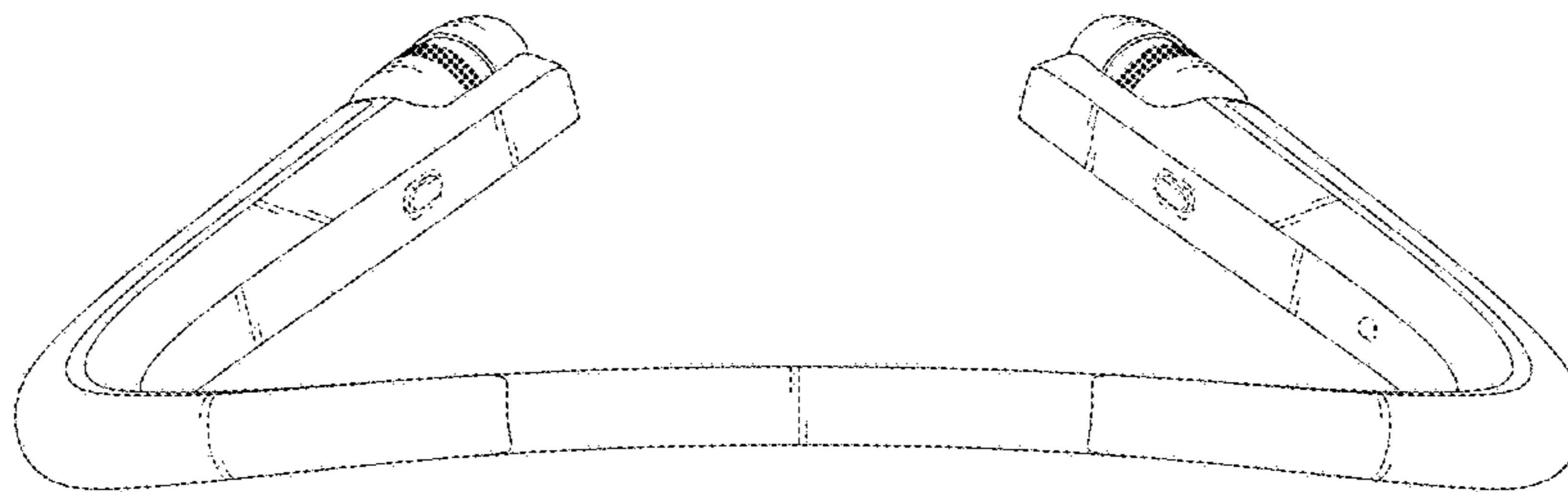
1.4



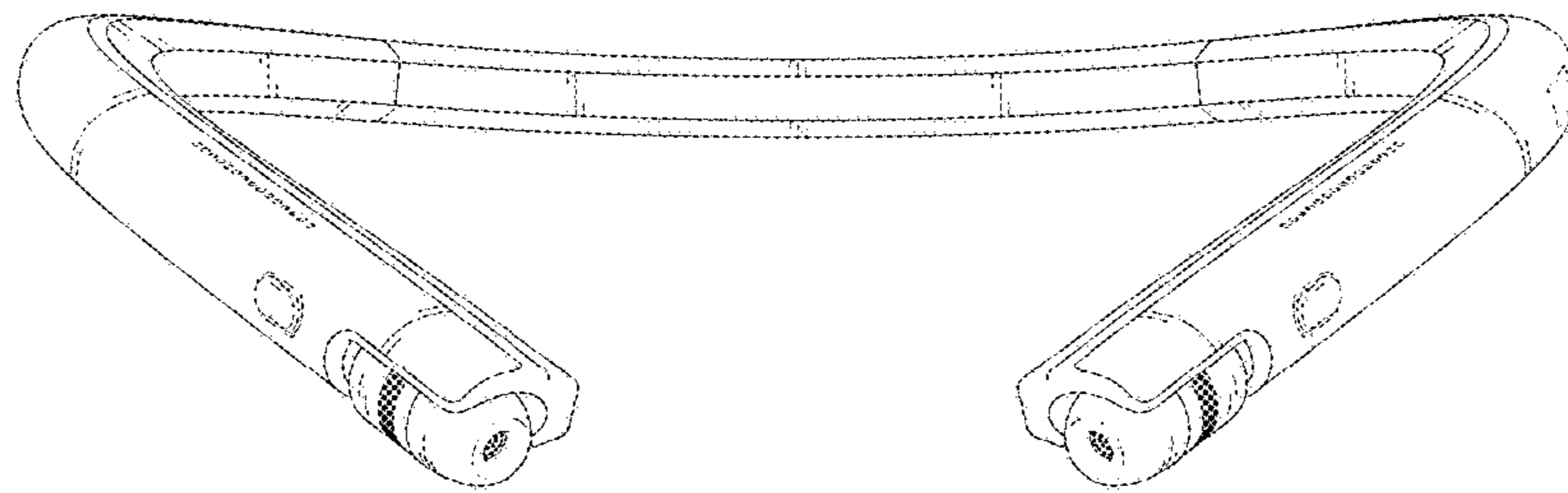
1.5



1.6



1.7



1.8

