



US00D855581S

(12) **United States Design Patent**  
**Li**

(10) **Patent No.:** **US D855,581 S**

(45) **Date of Patent:** **\*\* Aug. 6, 2019**

(54) **WIRELESS EARPHONE**

(71) Applicant: **LINDERO ELECTRONICS CO., LTD.**, Shenzhen, Guangdong (CN)

(72) Inventor: **Yongli Li**, Guangdong (CN)

(73) Assignee: **LINDERO ELECTRONICS CO., LTD.**, Shenzhen (CN)

(\*\*) Term: **15 Years**

(21) Appl. No.: **29/636,054**

(22) Filed: **Feb. 6, 2018**

(30) **Foreign Application Priority Data**

Jan. 17, 2018 (CN) ..... 2018 3 0021125

(51) **LOC (12) Cl.** ..... **14-01**

(52) **U.S. Cl.**  
USPC ..... **D14/205**

(58) **Field of Classification Search**  
USPC ..... D14/205, 206, 218, 223, 250; 181/129, 181/130, 135; 379/430, 431; 381/380, 381/381, 370, 374; 455/90.3, 575.1, 455/569.1

CPC .... H04R 1/1066; H04R 1/1016; H04R 5/033; H04R 5/335; H04R 1/10; H04R 1/1033; H04R 25/00; H04R 1/105

See application file for complete search history.

(56) **References Cited**

**U.S. PATENT DOCUMENTS**

3,440,365 A \* 4/1969 Hazell ..... H04M 1/05  
379/430  
D280,896 S \* 10/1985 Campbell ..... D14/155  
4,588,867 A \* 5/1986 Konomi ..... H04R 1/46  
379/430  
D303,638 S \* 9/1989 Andrews, Sr. .... D10/106.1

D304,191 S \* 10/1989 Sekine ..... D14/192  
D316,550 S \* 4/1991 Sogabe ..... D14/168  
D318,670 S \* 7/1991 Taniguchi ..... D14/205  
D334,043 S \* 3/1993 Taniguchi ..... D14/218  
5,481,251 A \* 1/1996 Buys ..... H03J 1/0025  
340/12.22  
6,122,369 A \* 9/2000 Hwang ..... H04M 1/6058  
379/420.03  
D473,217 S \* 4/2003 Rivera ..... D14/223  
D475,996 S \* 6/2003 Skulley ..... D14/223  
6,688,421 B2 \* 2/2004 Dyer ..... A61F 11/08  
181/130  
D496,653 S \* 9/2004 Townsend ..... D14/240  
D500,485 S \* 1/2005 Deguchi ..... D14/480.4  
D511,157 S \* 11/2005 Johnson ..... D14/223  
D514,552 S \* 2/2006 Lee ..... D14/205  
D526,642 S \* 8/2006 Choe ..... D14/205  
D533,866 S \* 12/2006 Morisawa ..... D14/218  
D569,841 S \* 5/2008 Chung ..... D14/205  
D576,154 S \* 9/2008 Ledbetter ..... D14/223  
D589,493 S \* 3/2009 Densho ..... D14/206

(Continued)

*Primary Examiner* — Paula Allen Greene

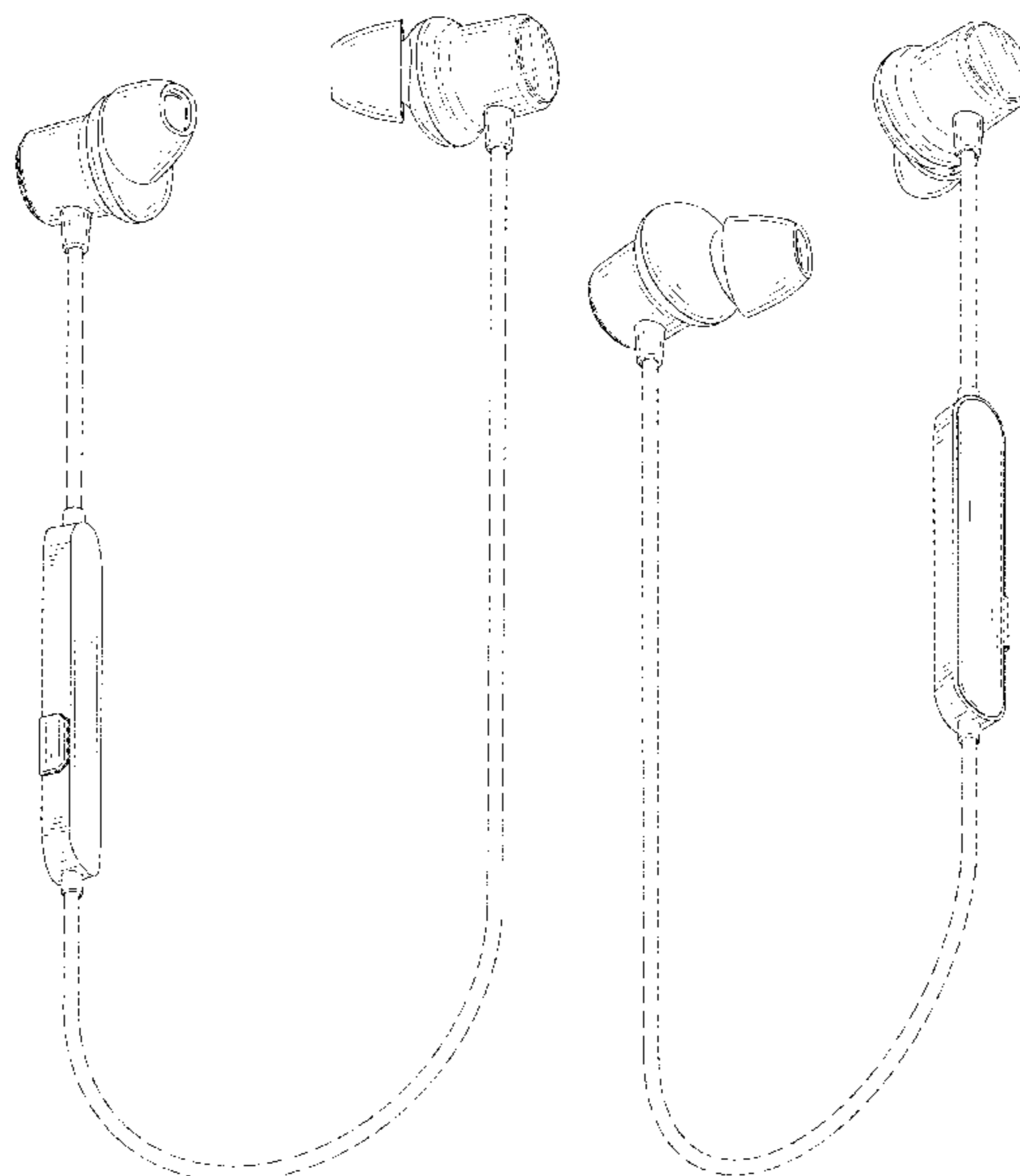
(57) **CLAIM**

The ornamental design for wireless earphone, as shown and described.

**DESCRIPTION**

FIG. 1 is a first perspective view of a wireless earphone showing my new design;  
FIG. 2 is a second perspective view thereof;  
FIG. 3 is a front elevational view thereof;  
FIG. 4 is a rear elevational view thereof;  
FIG. 5 is a left side view thereof;  
FIG. 6 is a right side view thereof;  
FIG. 7 is a top plan view thereof; and,  
FIG. 8 is a bottom plan view thereof.  
The broken lines in the drawings illustrate portions of the wireless earphone which form no part of the claimed design.

**1 Claim, 8 Drawing Sheets**



(56)

References Cited

U.S. PATENT DOCUMENTS

D593,076 S *	5/2009	Kung	D14/223	D727,871 S *	4/2015	Orbach	D14/205
7,548,629 B1 *	6/2009	Griffin	H04R 1/1016	D729,775 S *	5/2015	Seo	D14/205
			381/380	9,031,264 B2 *	5/2015	Yang	H04R 1/1033
D599,778 S *	9/2009	Ando	D14/205				381/189
D605,170 S *	12/2009	Keinanen	D14/205	D739,852 S *	9/2015	Jiang	D14/240
D614,168 S *	4/2010	Rogers	D14/206	D743,381 S *	11/2015	Pi	D14/218
D623,171 S *	9/2010	Chen	D14/223	D746,792 S *	1/2016	Kim	D14/205
D627,764 S *	11/2010	Tsai	D14/223	D760,189 S *	6/2016	Loh Jun Kern	D14/205
D628,193 S *	11/2010	Zheng	D14/223	D767,532 S *	9/2016	Jen	D14/205
D654,056 S *	2/2012	Hoggarth	D14/205	D782,442 S *	3/2017	Chen	D14/205
D660,290 S *	5/2012	Weedon	D14/223	D786,216 S *	5/2017	Silva	D14/205
8,175,315 B2 *	5/2012	Tanaka	H04R 1/1016	D793,995 S *	8/2017	Nakagawa	D14/218
			381/370	D821,999 S *	7/2018	Guo	D14/205
8,189,845 B2 *	5/2012	Mulvey	H04R 1/1016	D839,237 S *	1/2019	Mei	D14/205
			381/328	D840,371 S *	2/2019	Xiong	D14/205
D666,581 S *	9/2012	Perez	D14/223	2006/0285715 A1 *	12/2006	Drambarean	H04R 1/1016
8,391,536 B2 *	3/2013	Hashimoto	H04R 1/1016				381/380
			381/370	2007/0098201 A1 *	5/2007	Chen	H04R 1/1016
8,422,717 B2 *	4/2013	Lin	H04R 1/1091				381/380
			181/129	2009/0296975 A1 *	12/2009	Uchida	H04R 1/1091
D687,410 S *	8/2013	Fletcher	D14/205				381/370
D698,750 S *	2/2014	Yoon	D14/205	2012/0057738 A1 *	3/2012	Lin	H04R 1/1091
D711,356 S *	8/2014	Yang	D14/223				381/370
D718,286 S *	11/2014	Yang	D14/223	2014/0138150 A1 *	5/2014	Huang	H04R 1/1033
							174/71 R
				2016/0261946 A1 *	9/2016	Chen	H04R 1/1016

\* cited by examiner

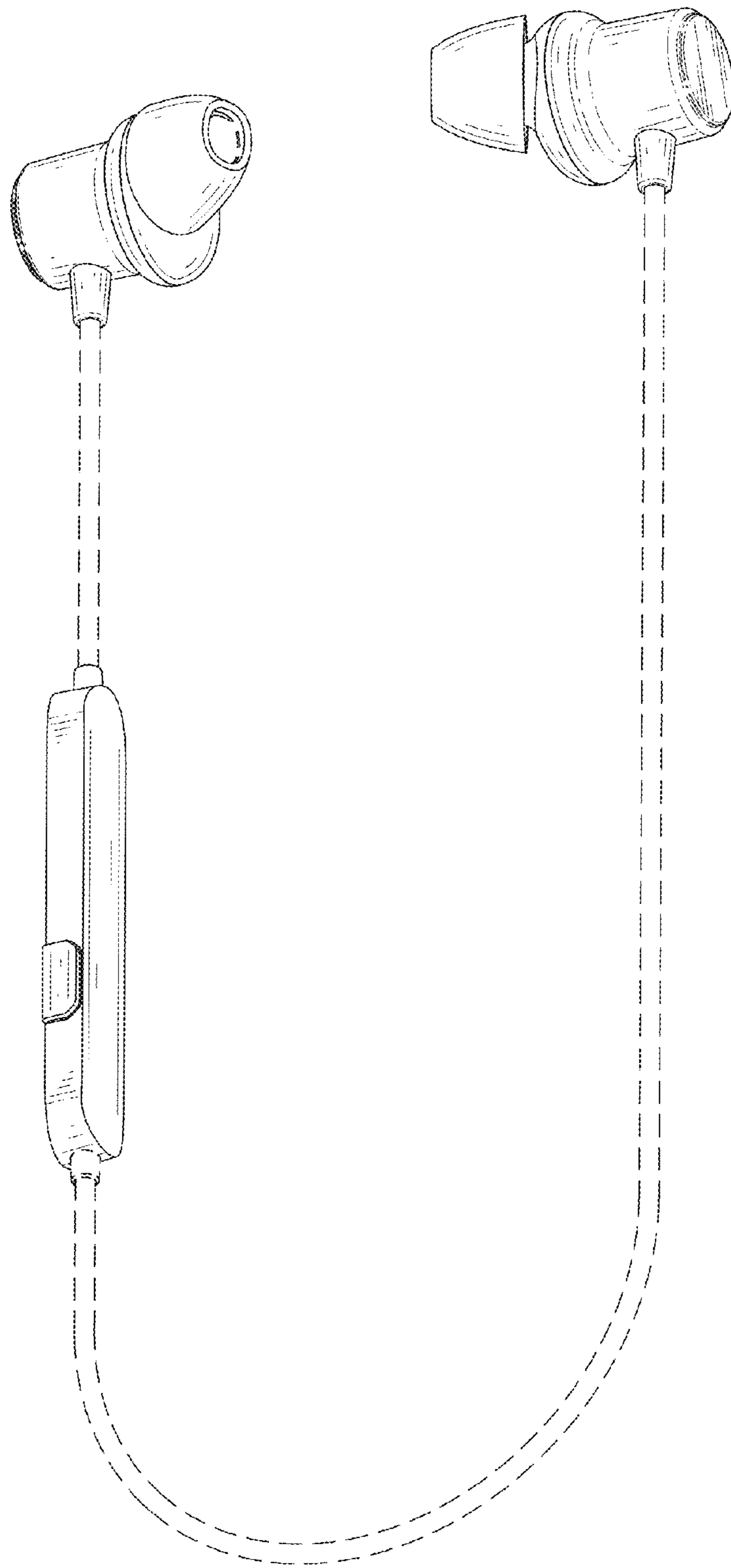


FIG. 1

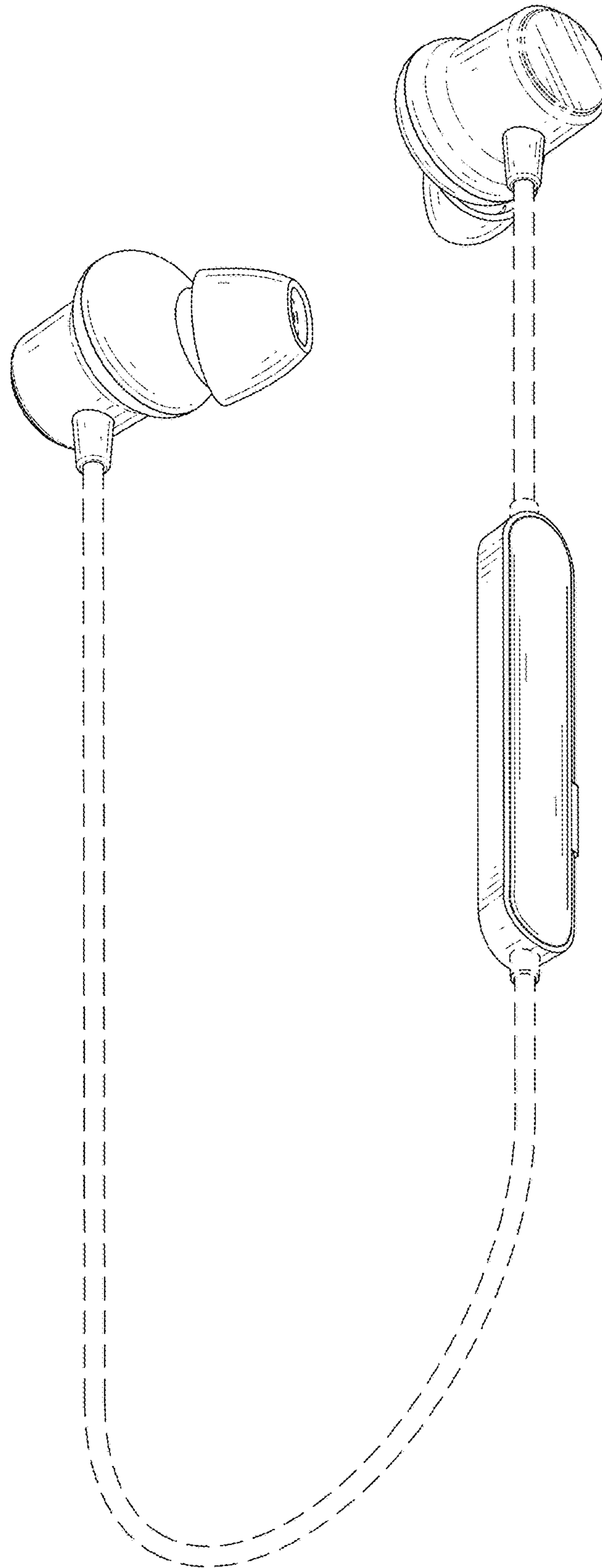


FIG. 2

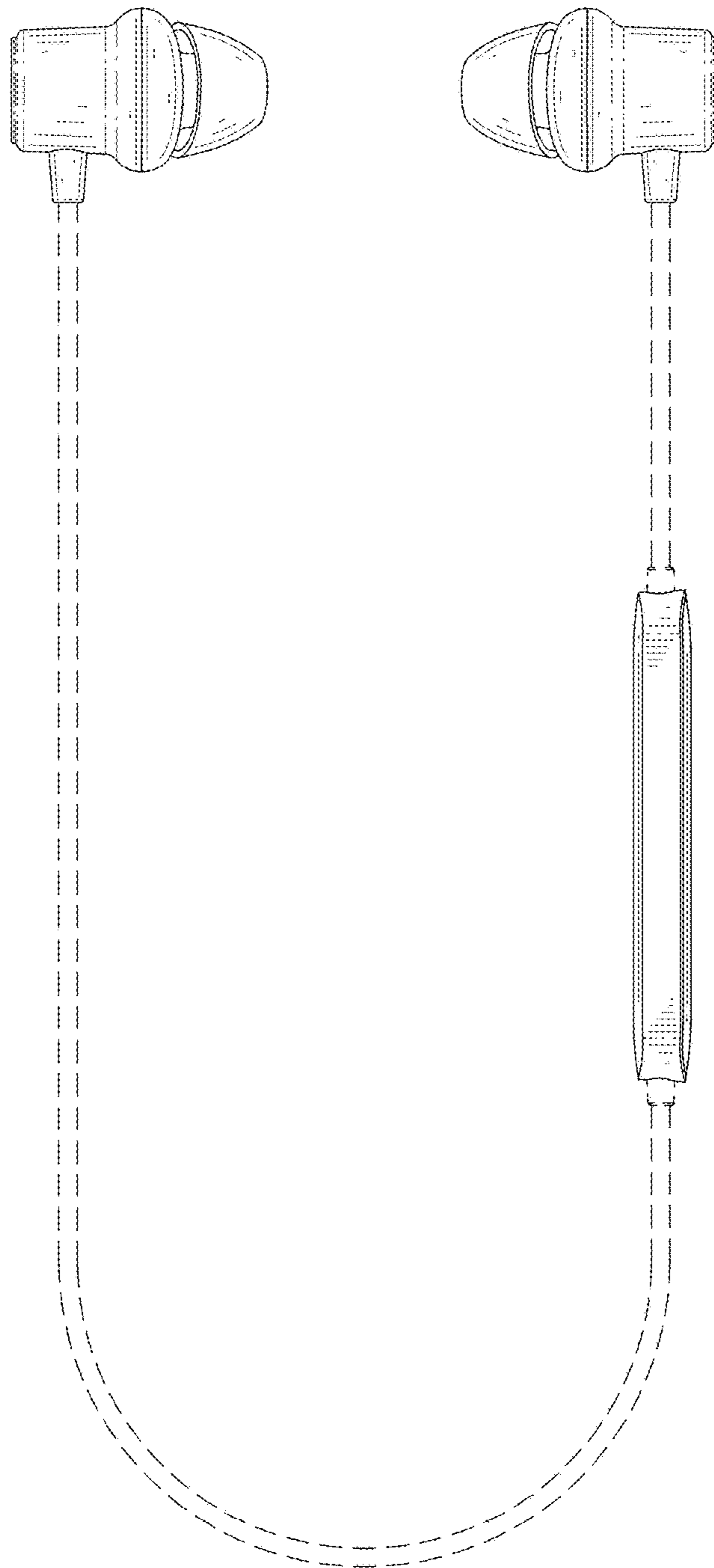


FIG. 3

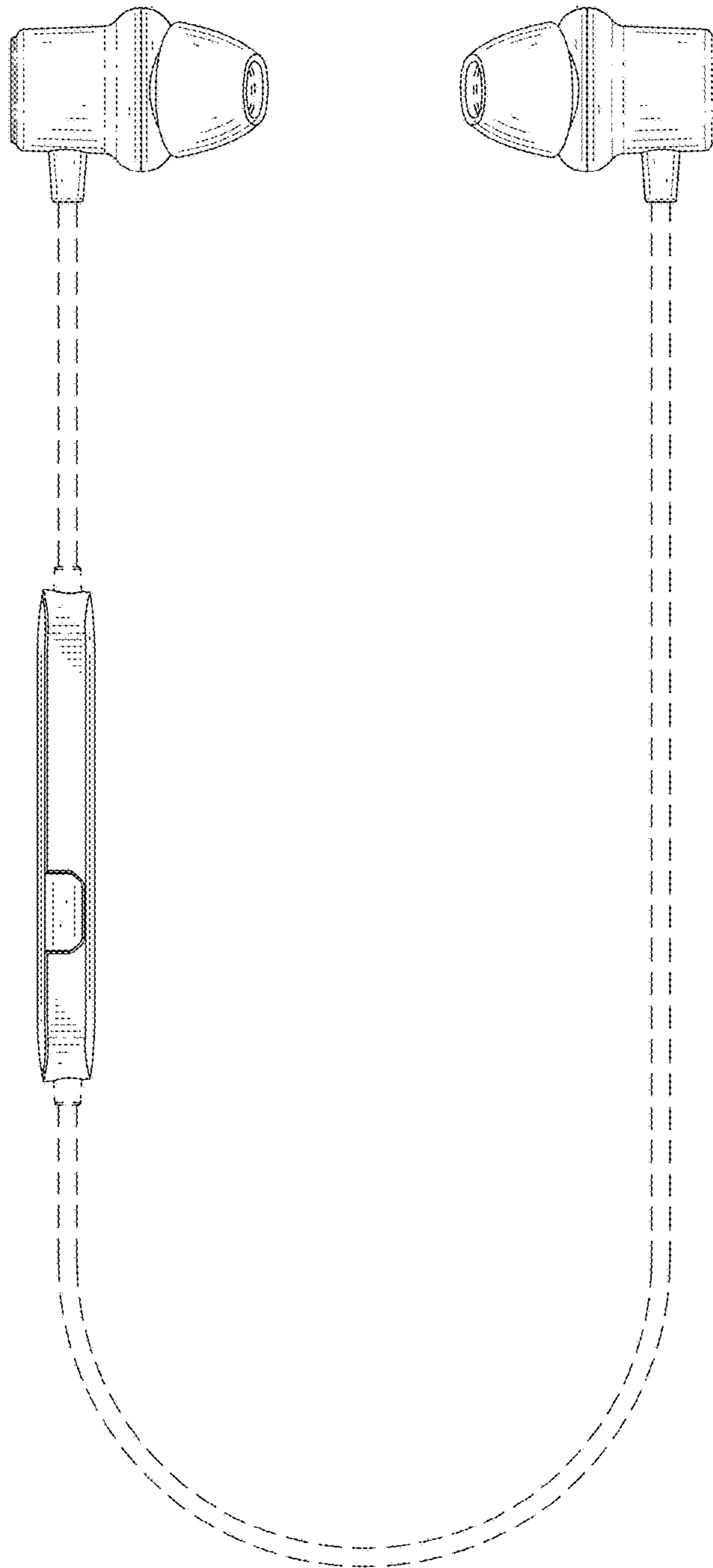


FIG. 4

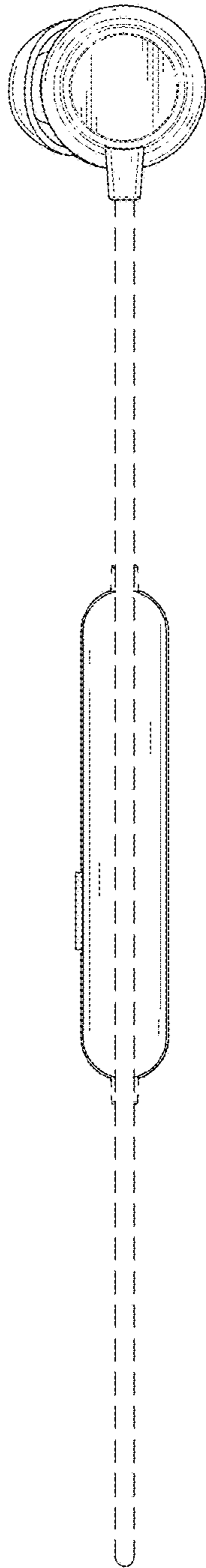


FIG. 5

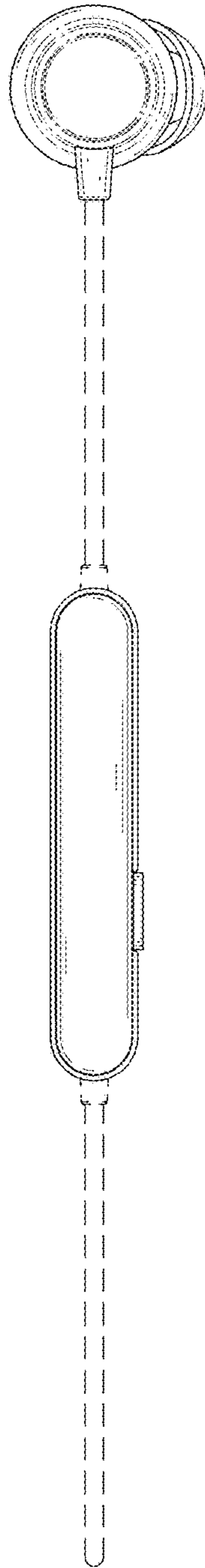


FIG. 6



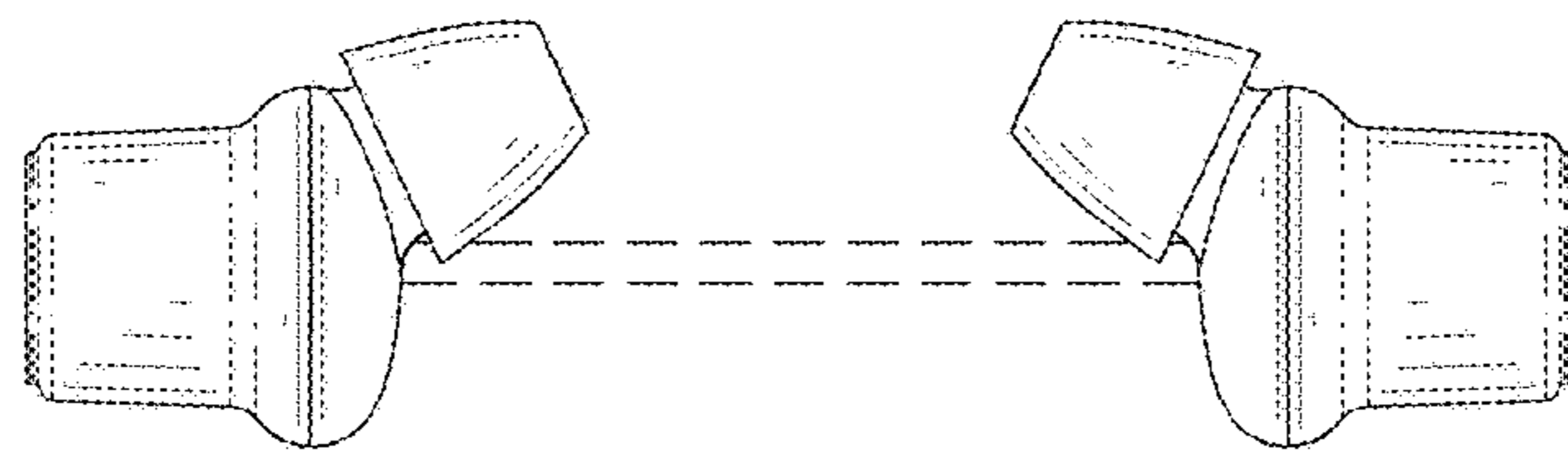


FIG. 7

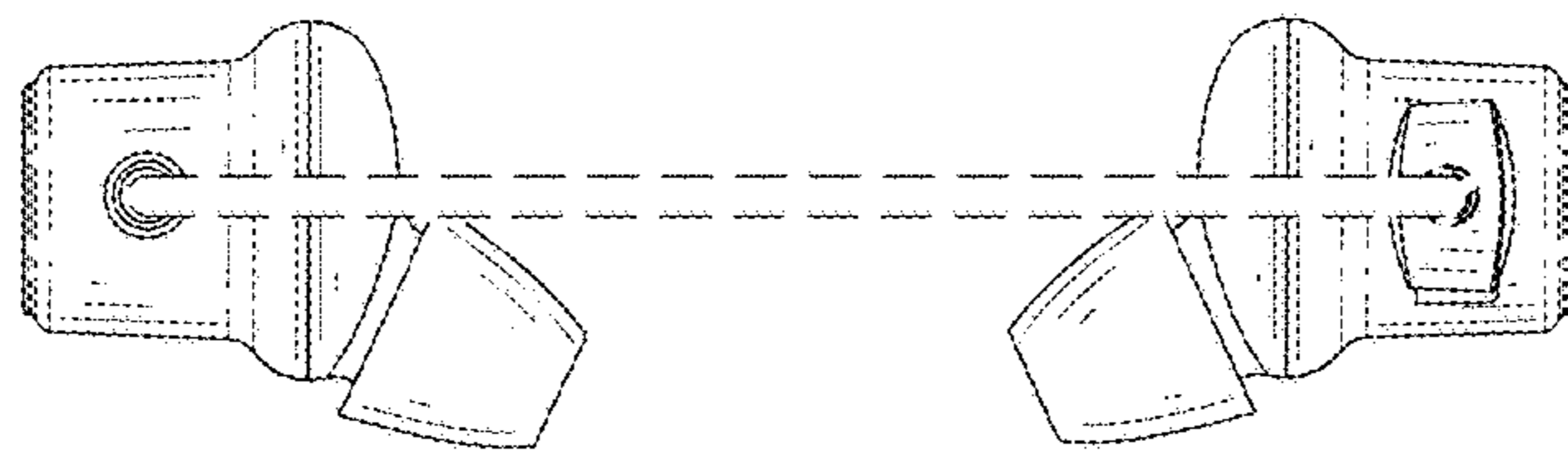


FIG. 8