



US00D855577S

(12) **United States Design Patent**
Hsu

(10) **Patent No.:** **US D855,577 S**
(45) **Date of Patent:** **** Aug. 6, 2019**

- (54) **CIRCUIT BOARD FOR ELECTRICAL CONNECTOR**
- (71) Applicant: **TELEBOX INDUSTRIES CORP.**,
Hsichih (TW)
- (72) Inventor: **Ching-Yi Hsu**, Keelung (TW)
- (73) Assignee: **TELEBOX INDUSTRIES CORP.**,
Taipei (TW)
- (**) Term: **15 Years**
- (21) Appl. No.: **29/643,893**
- (22) Filed: **Apr. 12, 2018**
- (51) **LOC (12) Cl.** **13-03**
- (52) **U.S. Cl.**
USPC **D13/182**
- (58) **Field of Classification Search**
USPC D13/182; 174/68.1, 250, 253, 255, 256,
174/748, 752; 318/567, 568.1; 361/600,
361/601, 718, 719, 720, 728, 736, 748,
361/751, 752, 760, 761, 807; 439/55, 65,
439/68, 69, 76.1, 92, 93, 95, 676, 660,
439/941; 29/829
CPC H05K 3/00; H05K 3/30; H05K 3/301;
H05K 3/303; H05K 3/34; H05K 3/3405;
H05K 3/341; H05K 3/36; H05K 3/361;
H05K 3/363; H05K 3/40; H05K 7/14;
H05K 7/1422; H05K 7/00; H05K 1/18;
H05K 1/02; H05K 1/181; H05K 1/183;
H05K 1/184; H05K 1/189; H05K 1/00
See application file for complete search history.

(56) **References Cited**

U.S. PATENT DOCUMENTS

- 3,072,734 A * 1/1963 Fox H02B 1/043
174/254
- D255,351 S * 6/1980 Pettijohn D13/182

- 4,675,989 A * 6/1987 Galloway H05K 3/326
264/272.15
- D363,920 S * 11/1995 Roberts D13/182
- 5,731,222 A * 3/1998 Malloy H01L 24/05
257/784
- D396,449 S * 7/1998 Taylor D13/182
- D397,092 S * 8/1998 Sano D13/182
- D397,093 S * 8/1998 Kim D13/182
- D430,856 S * 9/2000 Wilkerson D13/182
- D453,141 S * 1/2002 Watanabe D13/118
- D453,142 S * 1/2002 Watanabe D13/118
- D456,787 S * 5/2002 Wasada D13/182
- D459,706 S * 7/2002 Ebihara D13/182
- D465,463 S * 11/2002 Wasada D13/182
- D471,167 S * 3/2003 Ebihara D13/182
- D471,524 S * 3/2003 Ebihara D13/182
- 6,613,988 B2 * 9/2003 Powers H01R 23/68
174/254
- D508,681 S * 8/2005 Enderlein D13/182
- D525,213 S * 7/2006 Enderlein D13/182
- D601,520 S * 10/2009 Yokota D13/182
- D605,613 S * 12/2009 Carter D13/182
- D612,347 S * 3/2010 Yokota D13/182

(Continued)

Primary Examiner — Elizabeth J Oswecki

(74) *Attorney, Agent, or Firm* — Maschoff Brennan

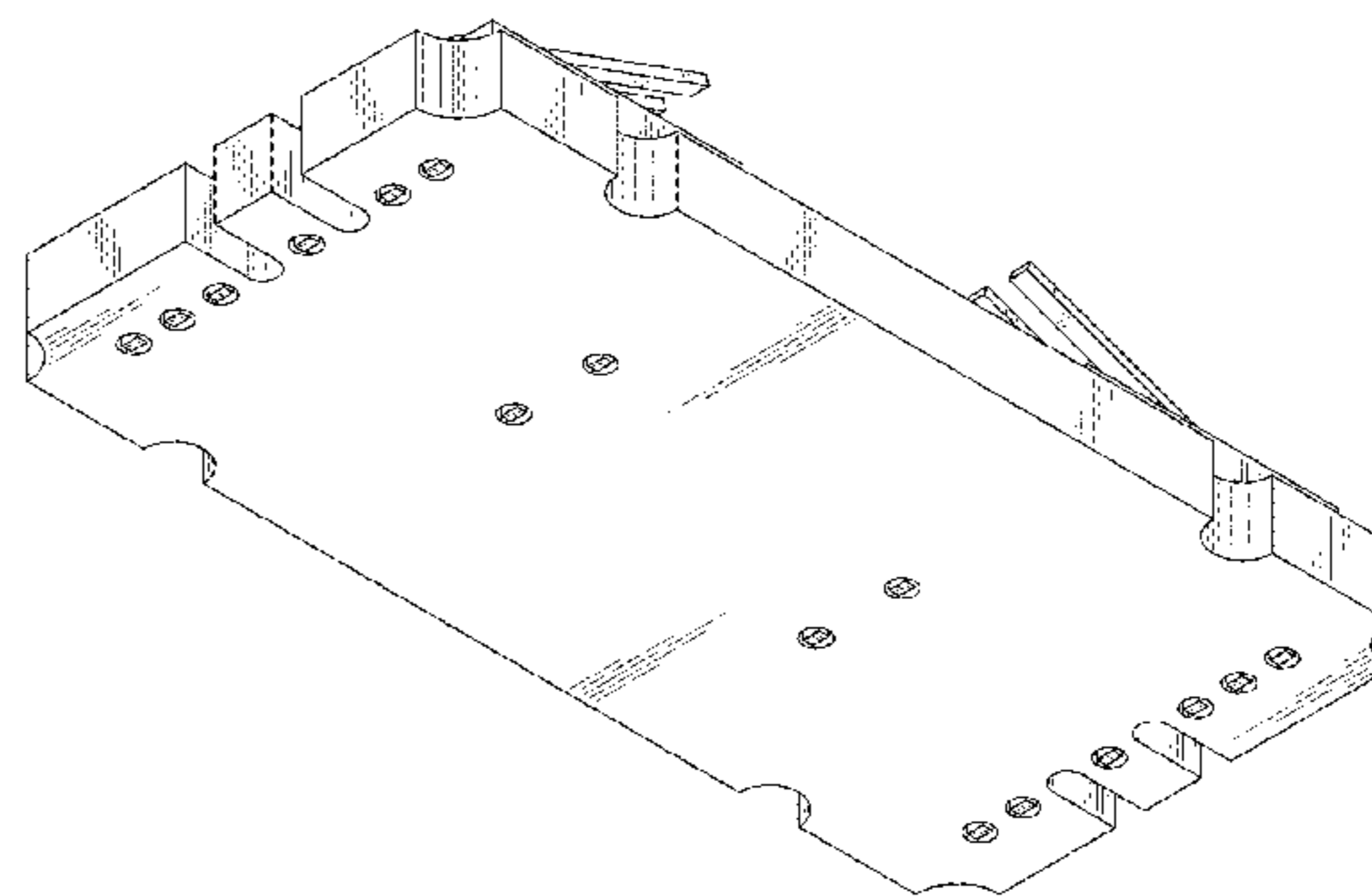
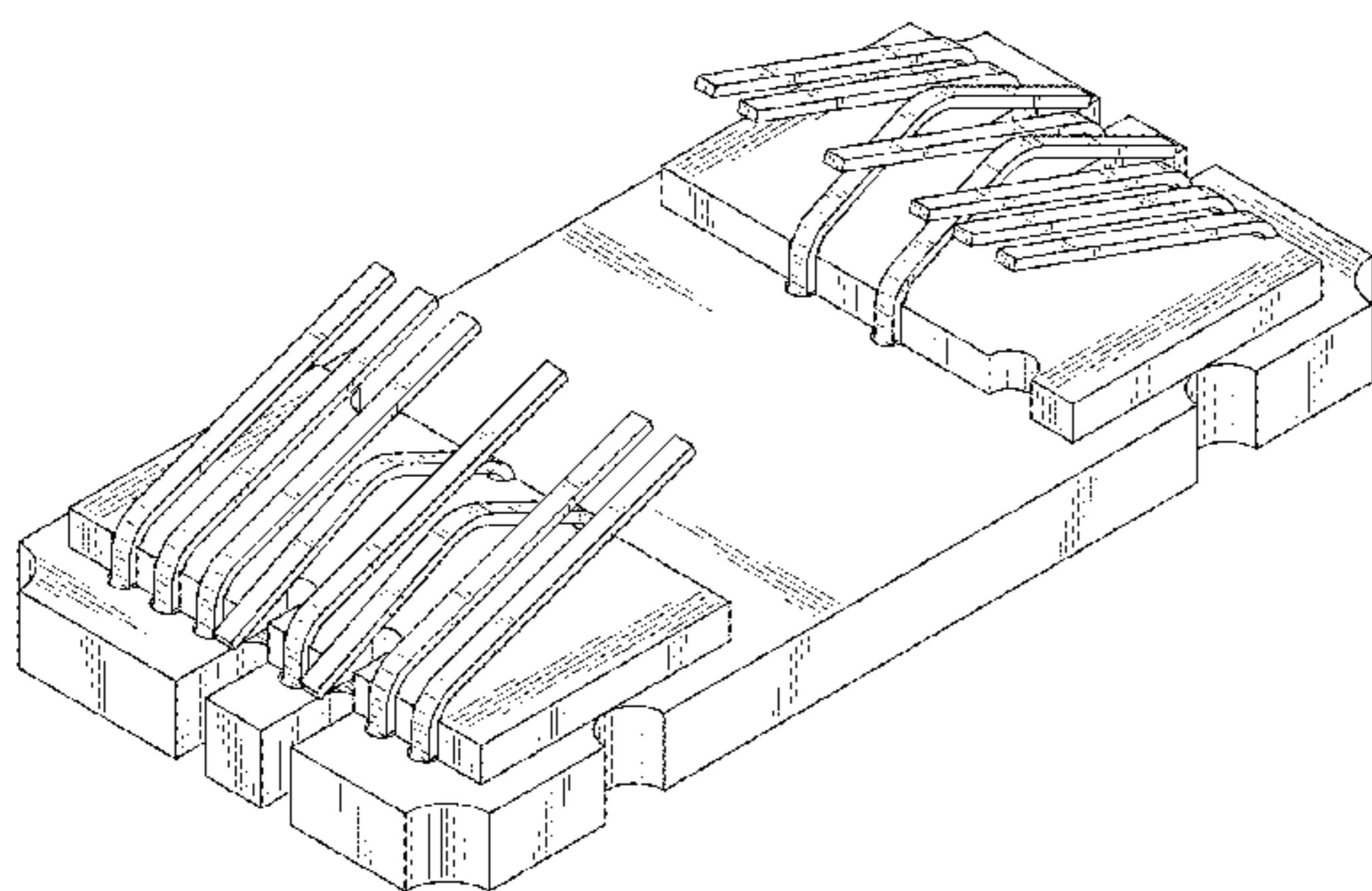
(57) **CLAIM**

The ornamental design for a circuit board for electrical connector, as shown and described.

DESCRIPTION

FIG. 1 is a top front right perspective view of a circuit board for electrical connector showing my new design;
 FIG. 2 is a bottom rear left perspective view thereof;
 FIG. 3 is a front view thereof;
 FIG. 4 is a rear view thereof;
 FIG. 5 is a left side view thereof;
 FIG. 6 is a right side view thereof;
 FIG. 7 is a top view thereof; and,
 FIG. 8 is a bottom view thereof.

1 Claim, 8 Drawing Sheets



(56)

References Cited

U.S. PATENT DOCUMENTS

D639,756	S *	6/2011	Greene, Jr.	D13/182
D642,546	S *	8/2011	Greene, Jr.	D13/182
D647,072	S *	10/2011	Bentley	D13/182
8,113,888	B2 *	2/2012	Carter	H01R 9/03 439/676
D673,921	S *	1/2013	Ozawa	D13/182
D725,054	S *	3/2015	Mertler	D13/182
D739,350	S *	9/2015	Kuwabara	D13/118
D757,666	S *	5/2016	Yokoo	D13/182
D799,438	S *	10/2017	Takahashi	D13/182
D824,865	S *	8/2018	Chen	D13/182
2008/0080151	A1 *	4/2008	Shimizu	H05K 1/0263 361/760
2008/0144290	A1 *	6/2008	Brandt	B60R 16/0239 361/720
2009/0268390	A1 *	10/2009	King	G06F 13/409 361/679.33

* cited by examiner

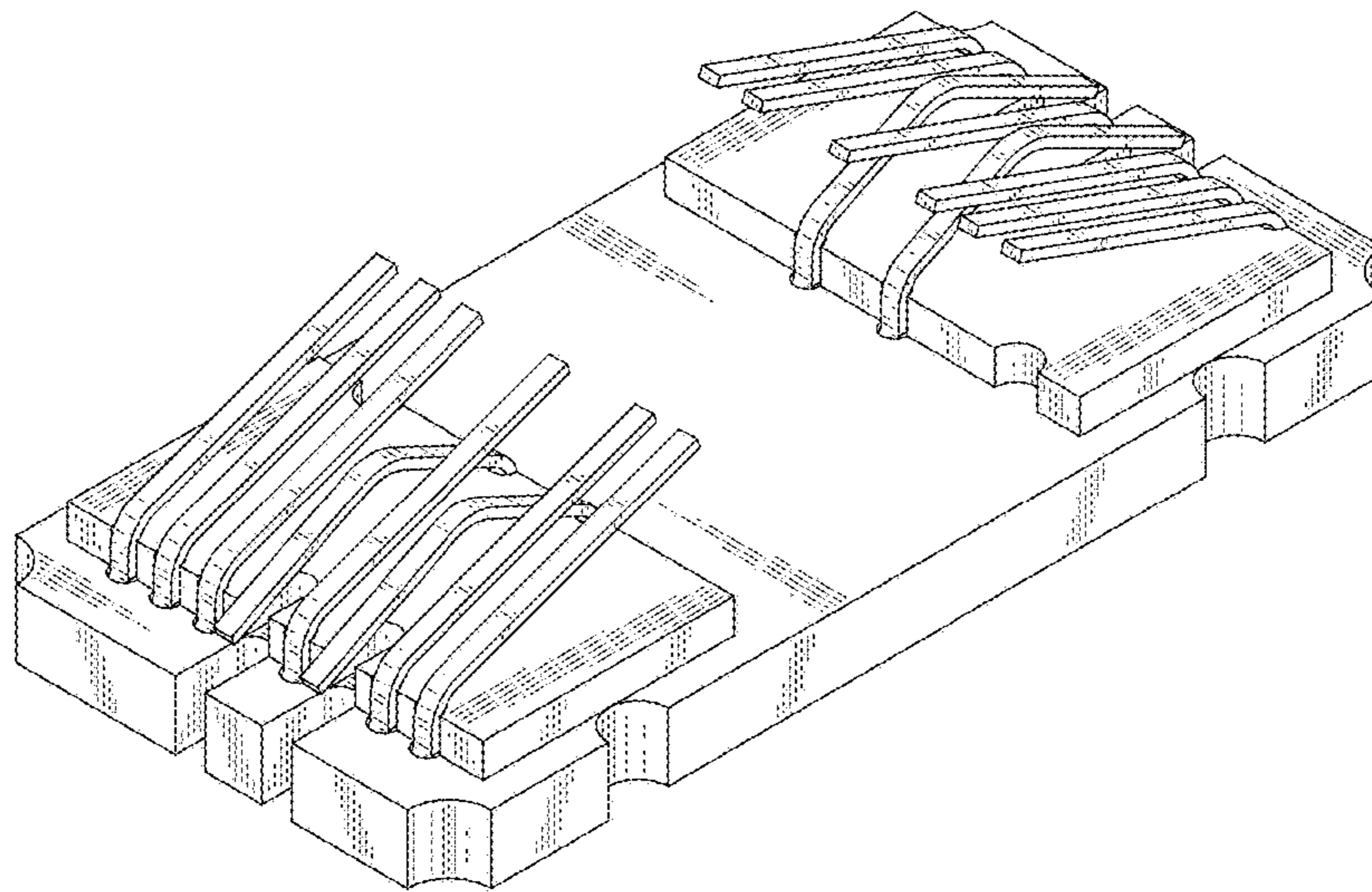


FIG. 1

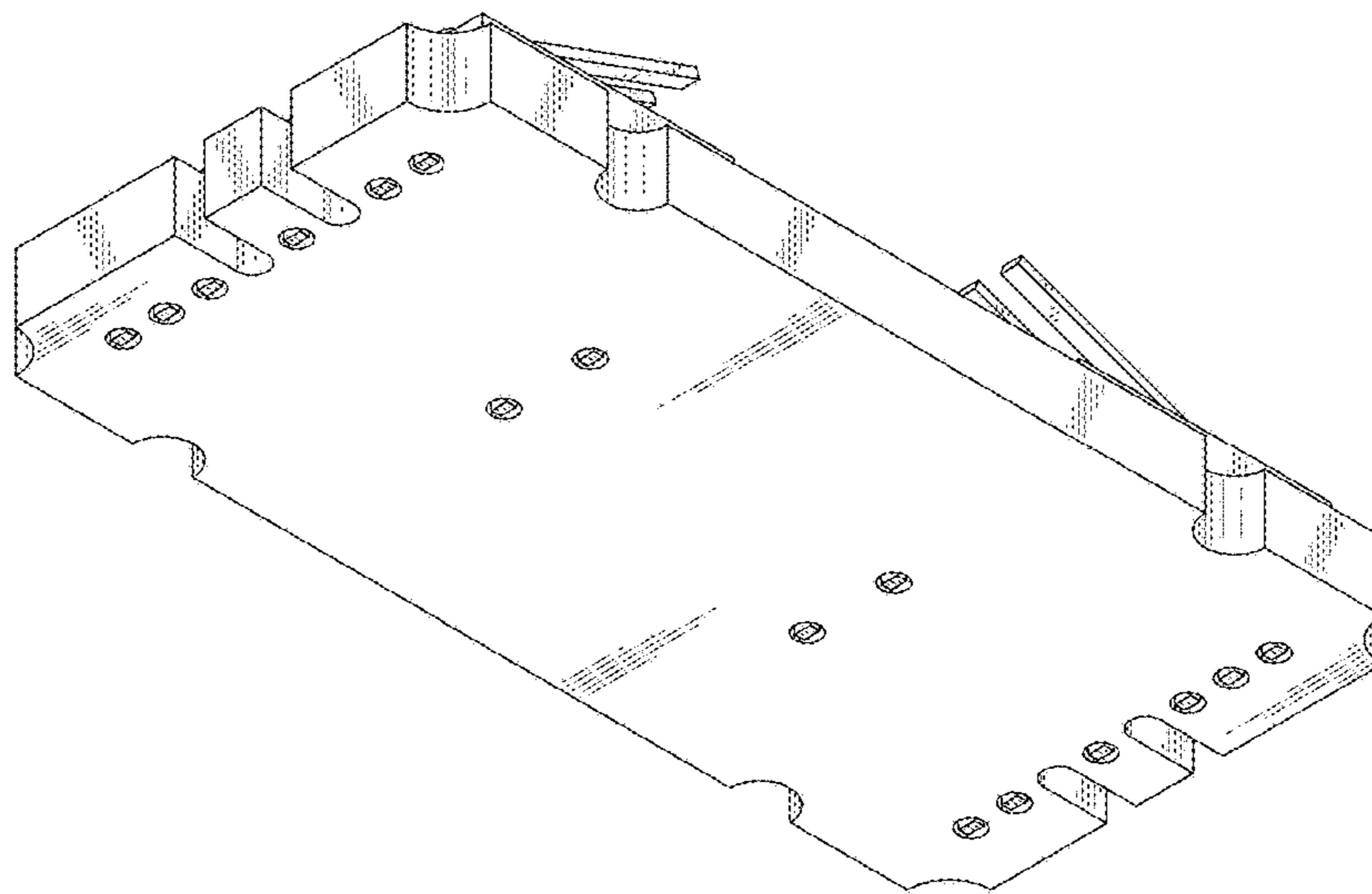


FIG. 2

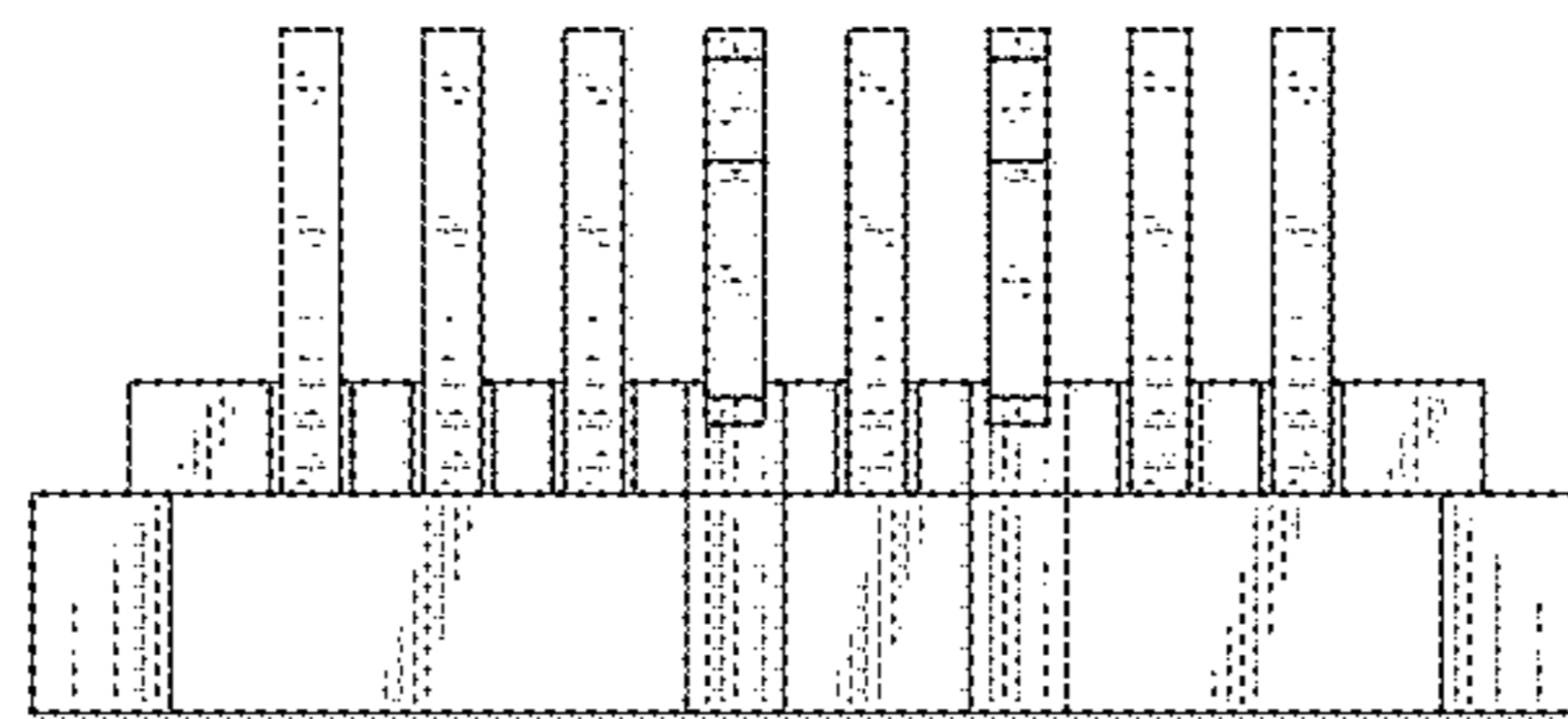


FIG. 3

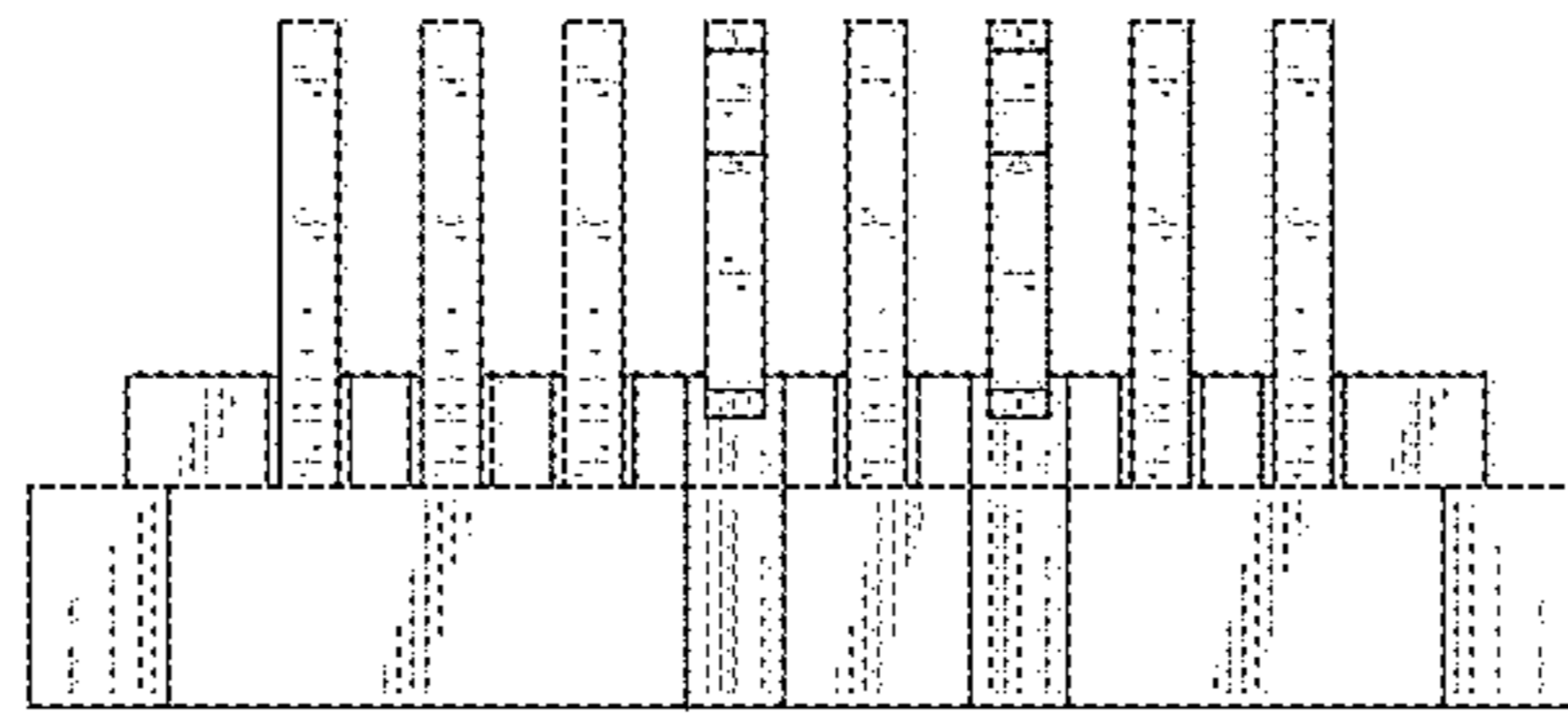


FIG. 4

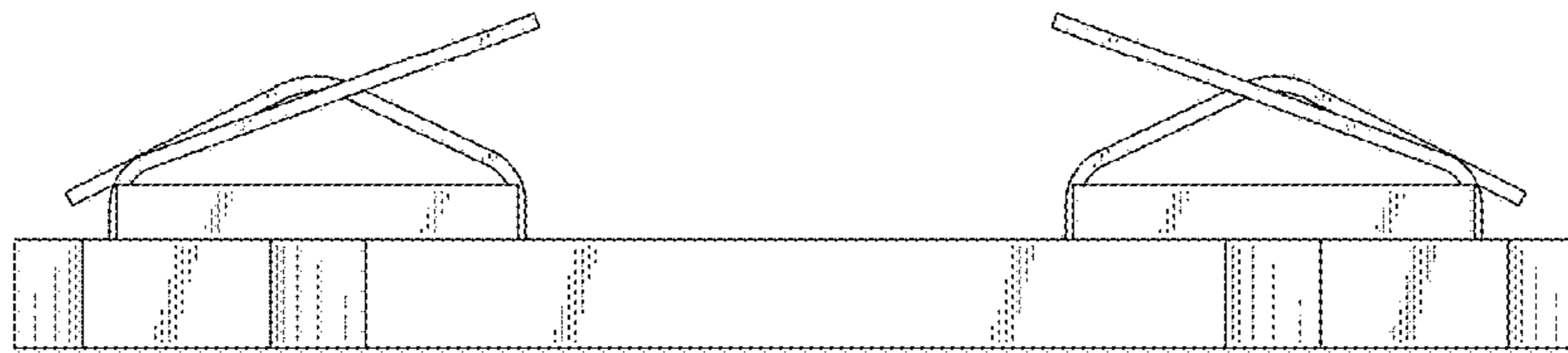


FIG. 5

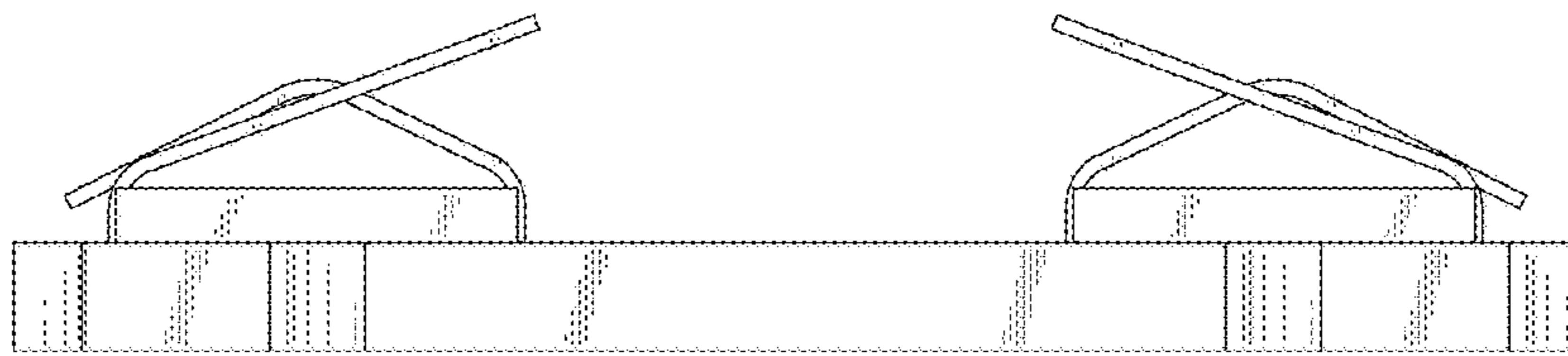


FIG. 6

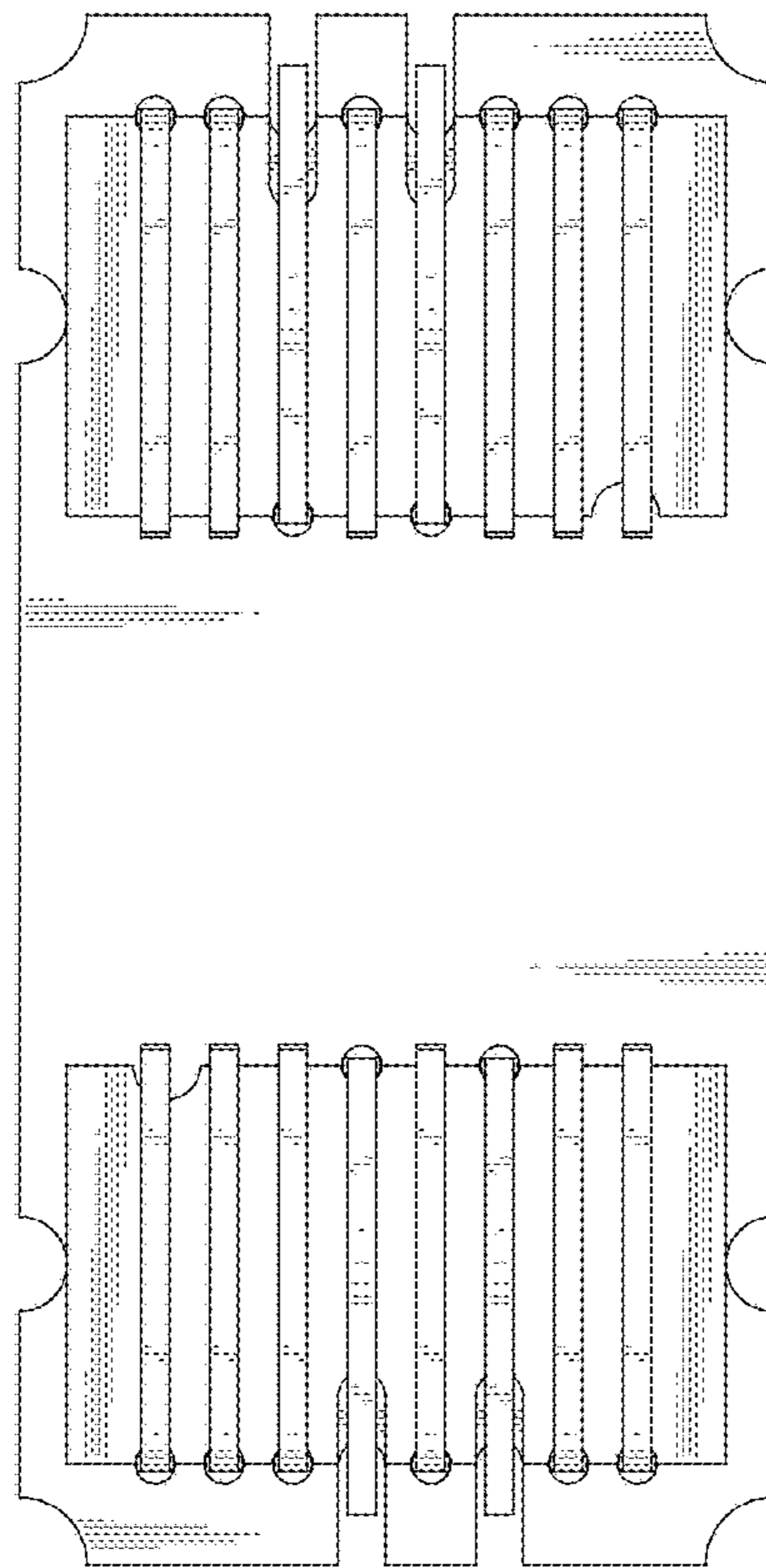


FIG. 7

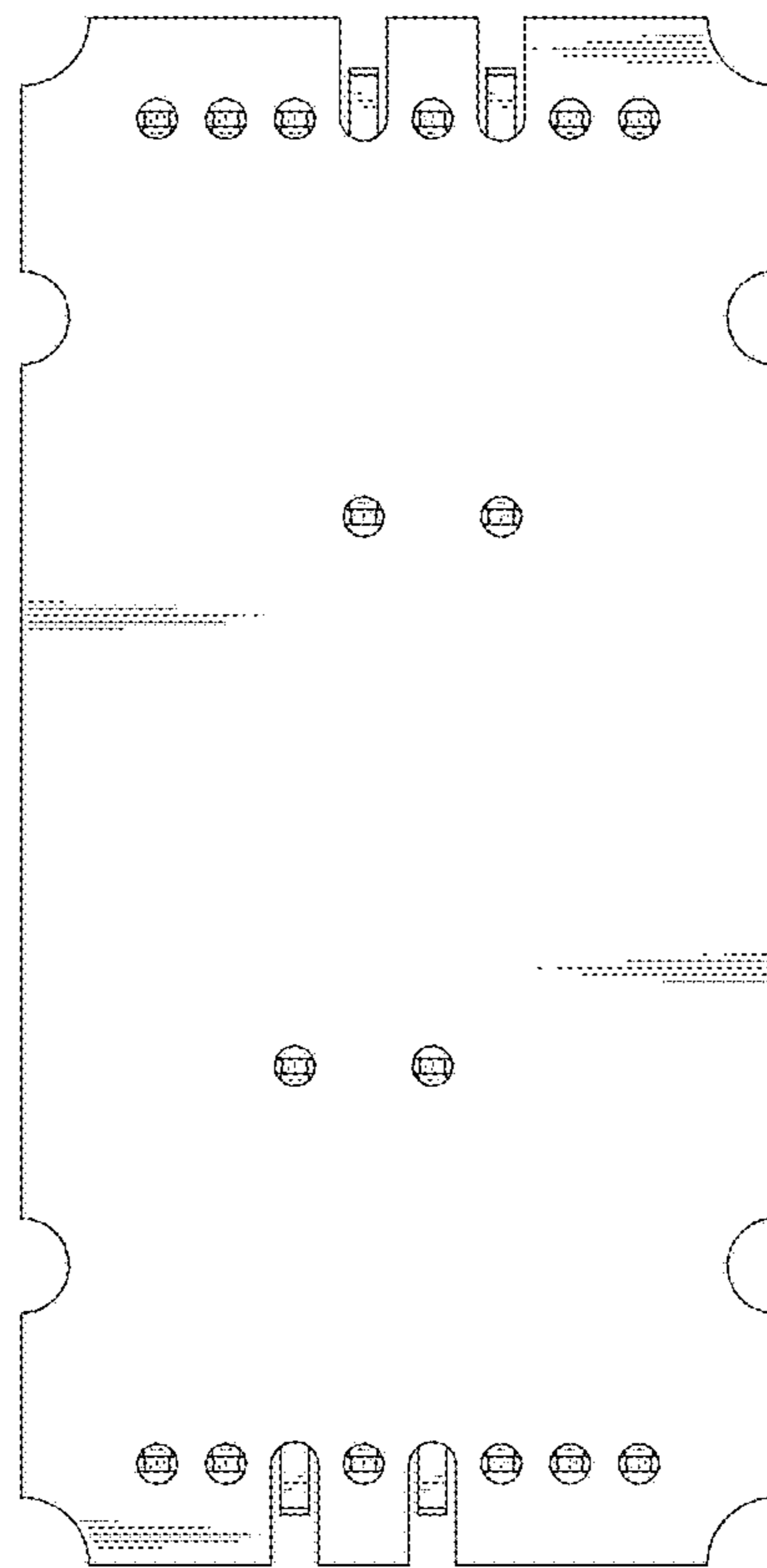


FIG. 8