



US00D855573S

(12) **United States Design Patent**
Hata et al.

(10) **Patent No.:** **US D855,573 S**

(45) **Date of Patent:** **** Aug. 6, 2019**

(54) **ELECTRIC CONNECTOR**

(71) Applicant: **KYOCERA Corporation**, Kyoto-shi,
Kyoto (JP)

(72) Inventors: **Tetsuya Hata**, Yokohama (JP); **Shigeki Ohara**, Isehara (JP)

(73) Assignee: **KYOCERA Corporation**, Kyoto-shi,
Kyoto (JP)

(**) Term: **15 Years**

(21) Appl. No.: **29/675,905**

(22) Filed: **Jan. 7, 2019**

Related U.S. Application Data

(62) Division of application No. 29/609,843, filed on Jul. 6, 2017.

(30) **Foreign Application Priority Data**

Jan. 13, 2017 (JP) 2017-000435

Jan. 13, 2017 (JP) 2017-000436

(51) **LOC (12) Cl.** **13-03**

(52) **U.S. Cl.**
USPC **D13/149**

(58) **Field of Classification Search**

USPC D13/118-120, 122, 123, 133, 145-149,
D13/151, 153, 154-157, 173, 184, 199
CPC . F16J 15/24; H01R 4/24; H01R 13/52; H01R
13/56; H01R 31/02; H01R 31/06; H01R
35/02; H01R 4/50; H01R 13/46; H02G
15/113; H02G 15/18

See application file for complete search history.

(56) **References Cited**

U.S. PATENT DOCUMENTS

5,562,478 A 10/1996 Yamamoto
5,690,505 A 11/1997 Hirata

5,759,065 A 6/1998 Hatagishi et al.

5,762,517 A 6/1998 Abe

6,111,201 A 8/2000 Drane et al.

D465,843 S 11/2002 Guala

(Continued)

FOREIGN PATENT DOCUMENTS

JP H08306428 A 11/1996

JP H11204192 A 7/1999

(Continued)

OTHER PUBLICATIONS

mmm.co.jp, Retrieved on Jun. 28, 2017, from URL: http://www.mmm.co.jp/electro/connector/u_element/index.html.

Primary Examiner — Angela J Lee

Assistant Examiner — Shawn T Gingrich

(74) *Attorney, Agent, or Firm* — Kenja IP Law PC

(57) **CLAIM**

The ornamental design for an electric connector, as shown and described.

DESCRIPTION

FIG. 1 is a front perspective view of an electric connector showing our new design;

FIG. 2 is a rear perspective view thereof;

FIG. 3 is a front view thereof;

FIG. 4 is a top view thereof;

FIG. 5 is a right side view thereof;

FIG. 6 is a left side view thereof;

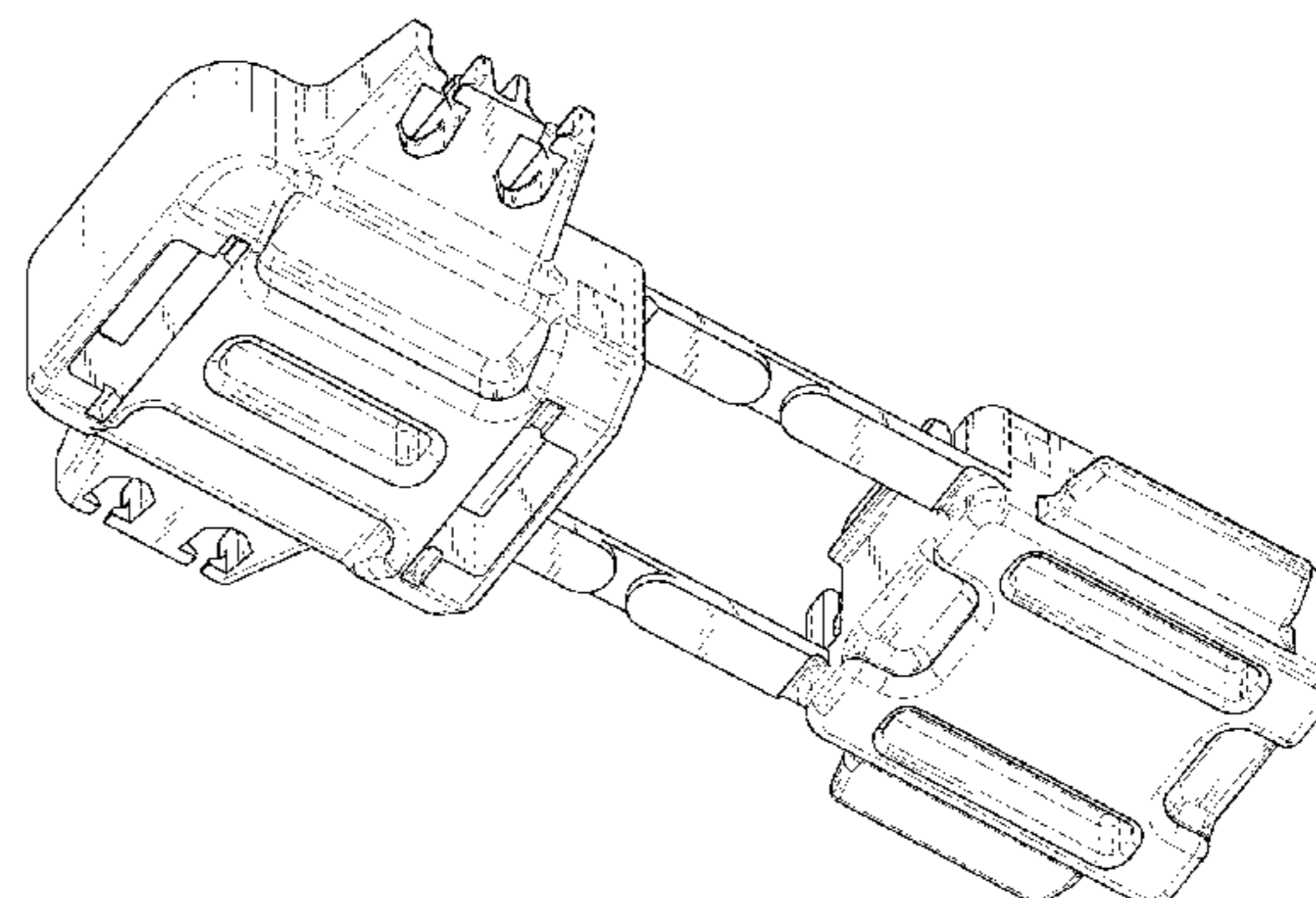
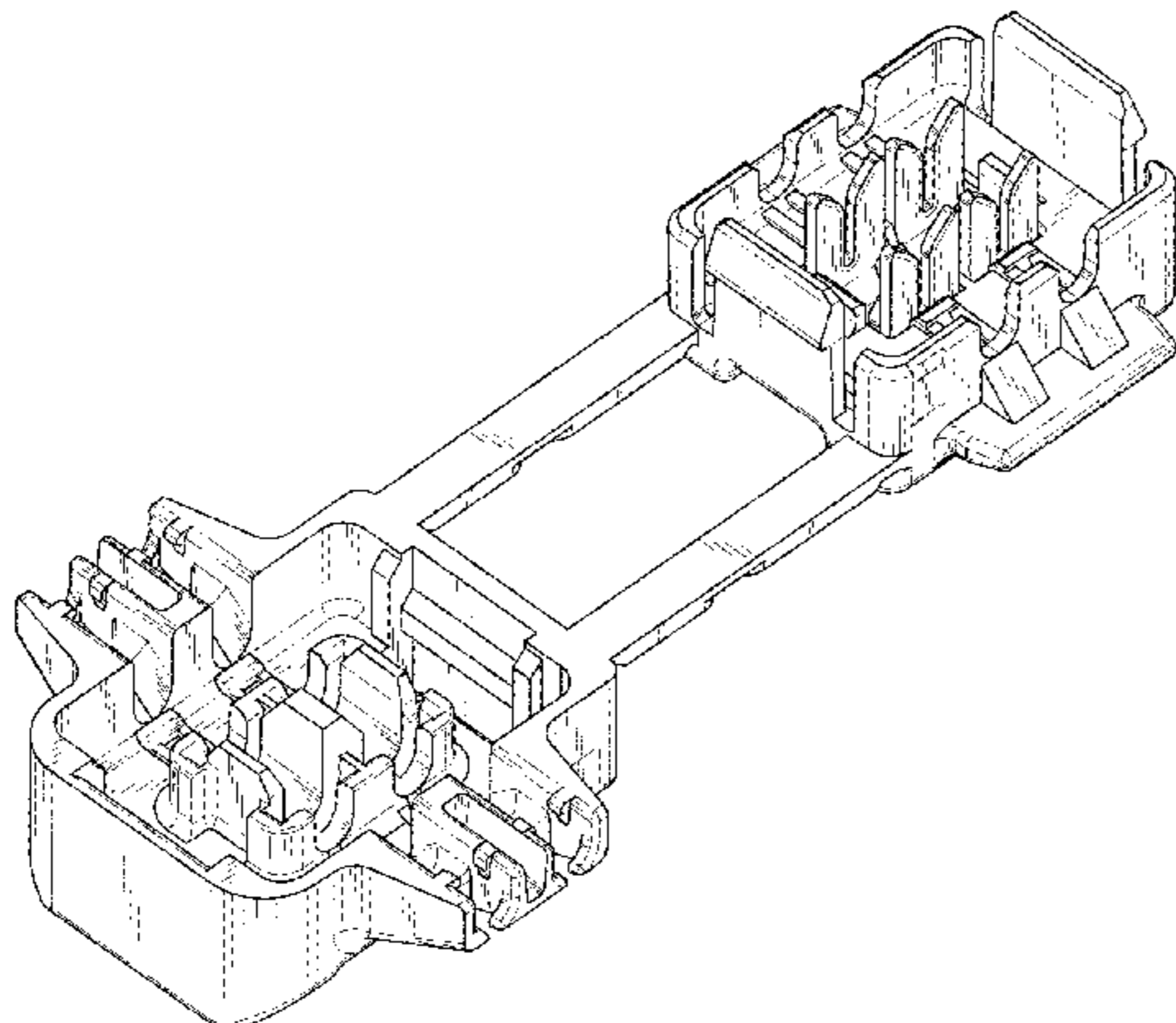
FIG. 7 is a rear view thereof;

FIG. 8 is a bottom view thereof;

FIG. 9 is a section view taken along line 9-9 in FIG. 4; and, FIG. 10 is a bottom view thereof in a folded state in an environment of use.

The wires shown in broken lines in FIG. 10 represent environment and form no part of the claimed design.

1 Claim, 10 Drawing Sheets



(56)

References Cited

U.S. PATENT DOCUMENTS

6,769,931 B2 8/2004 Negishi et al.
D592,151 S 5/2009 Marks et al.
D616,058 S 5/2010 Kruger
D797,055 S 9/2017 Mallette et al.
D828,815 S * 9/2018 Hata D13/149
D841,596 S * 2/2019 Hata D13/149
2010/0029147 A1 2/2010 Shrum et al.

FOREIGN PATENT DOCUMENTS

JP 3028988 B2 4/2000
JP 2605275 Y2 7/2000
JP 2014116097 A 6/2014
JP 2016189329 A 11/2016
JP 2017117703 A 6/2017

* cited by examiner

FIG. 1

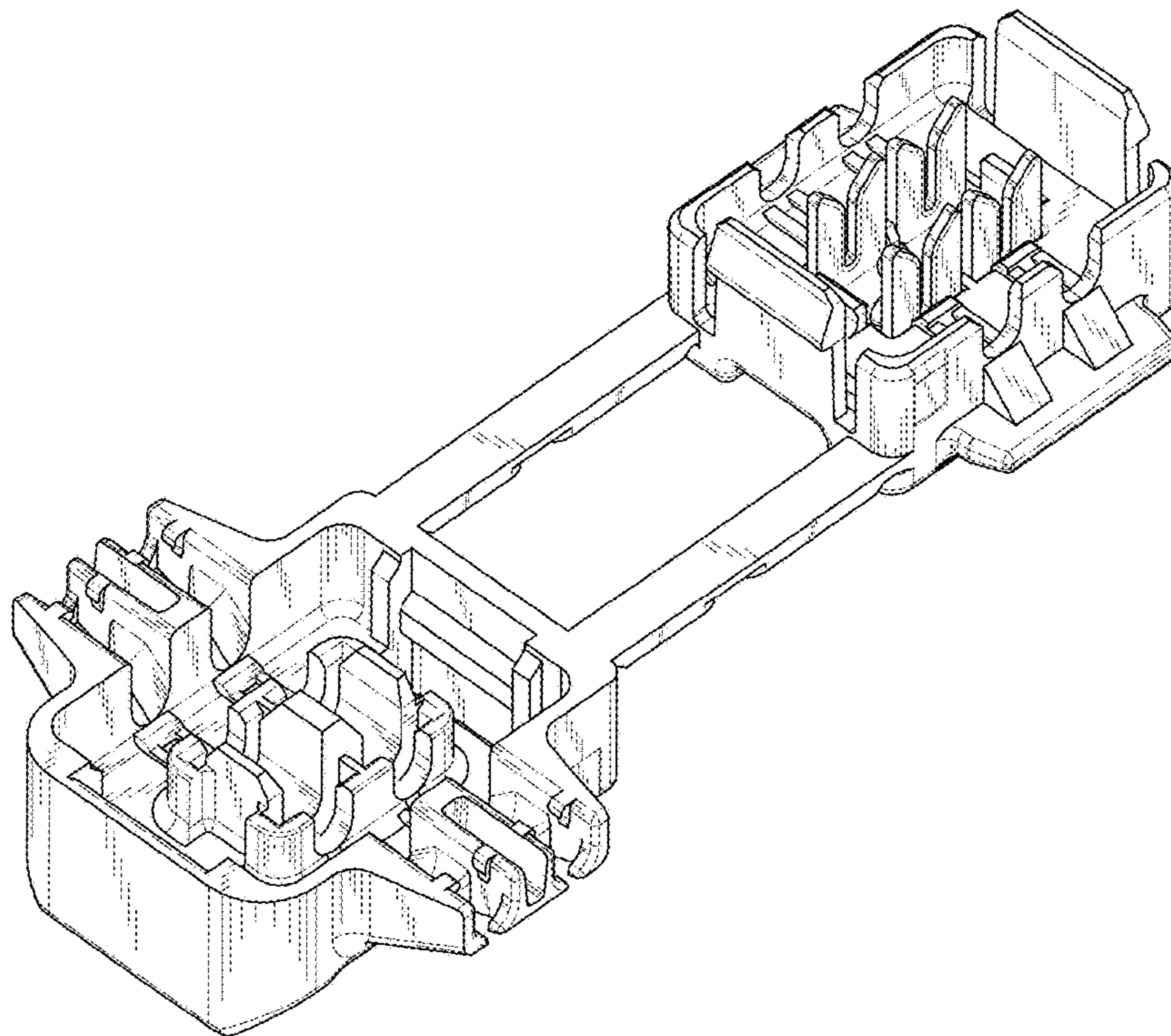


FIG. 2

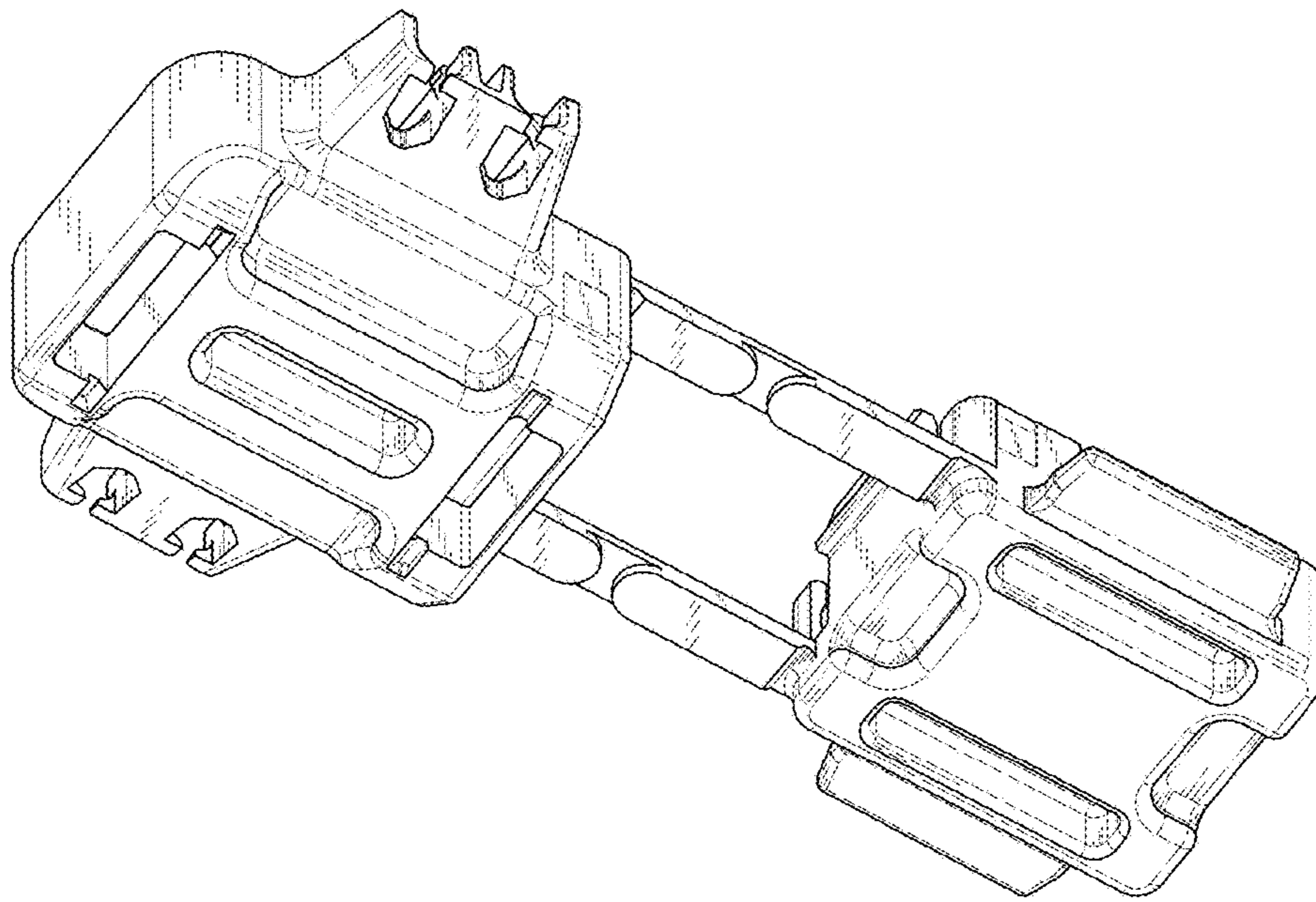


FIG. 3

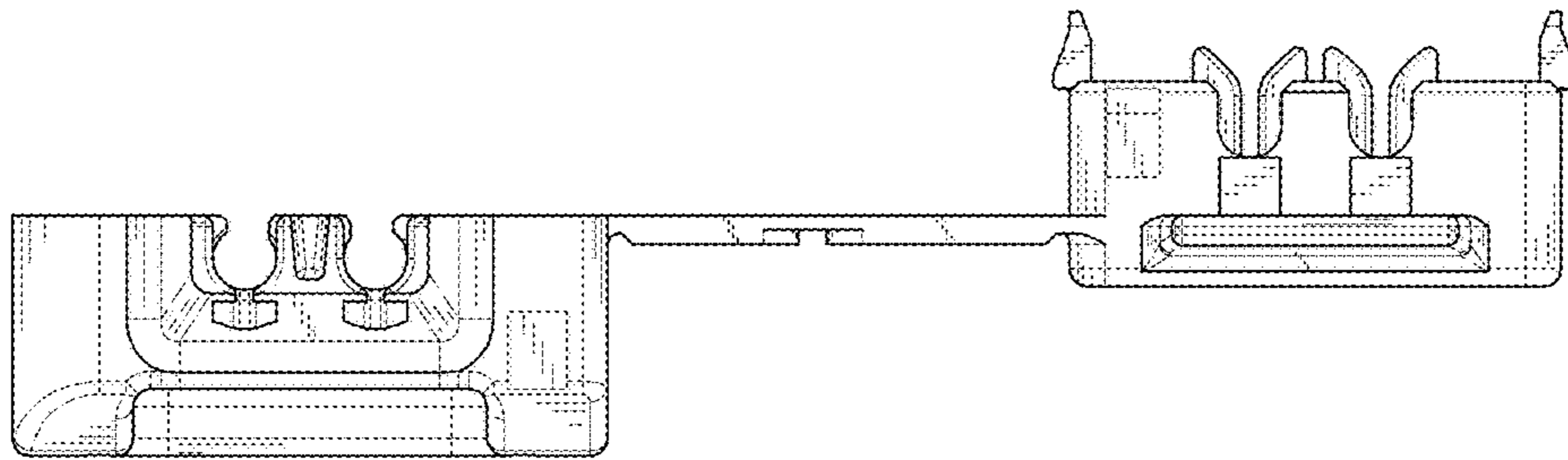


FIG. 4

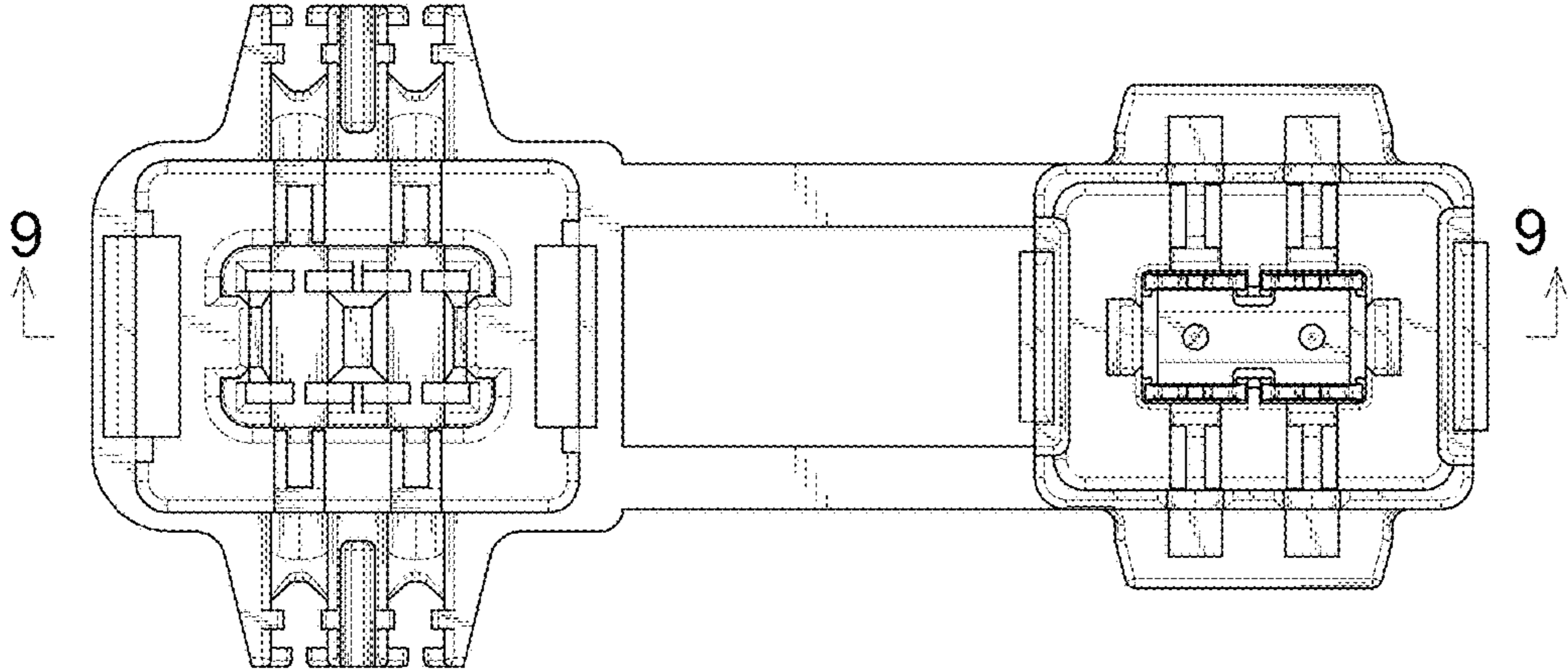


FIG. 5

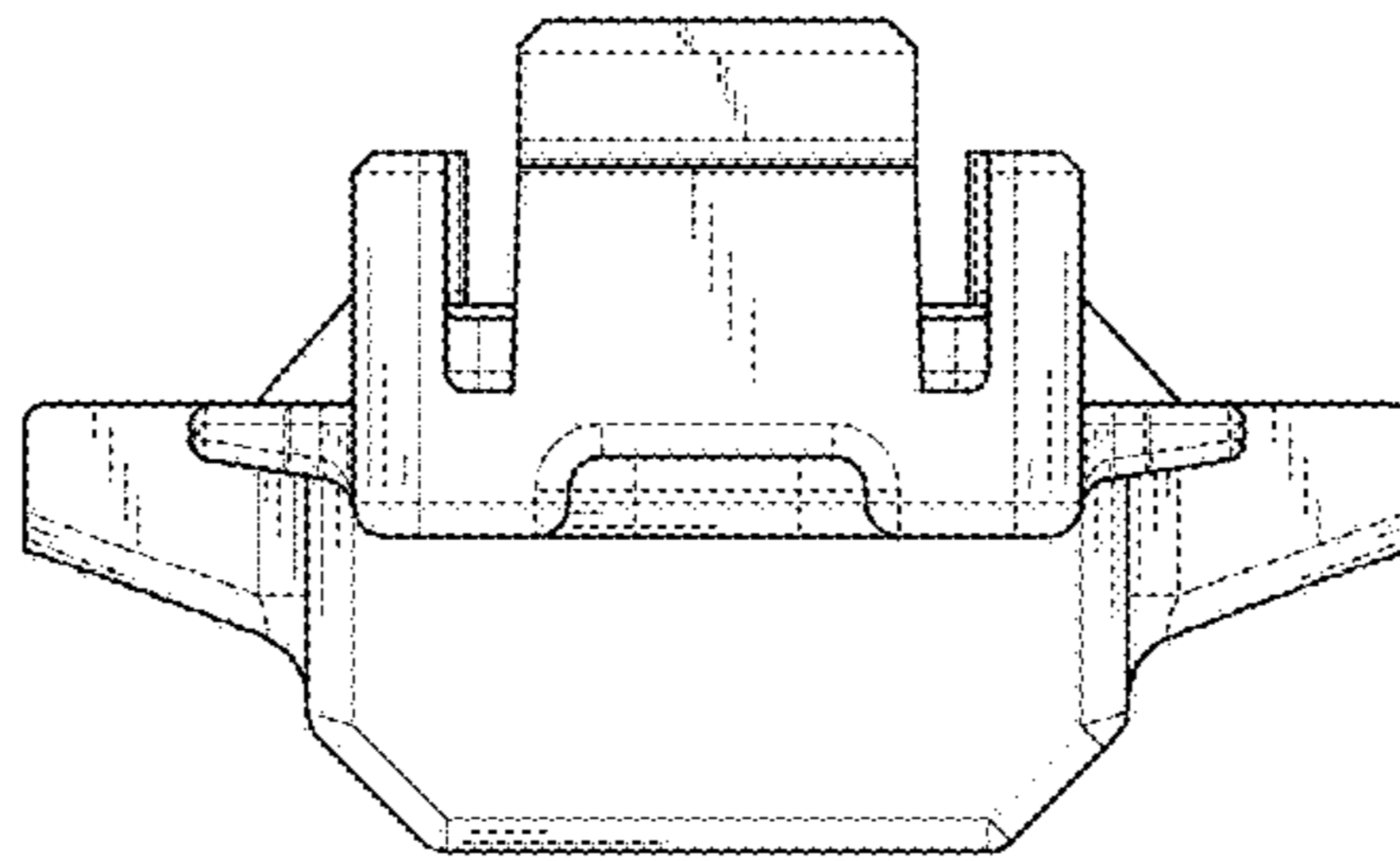


FIG. 6

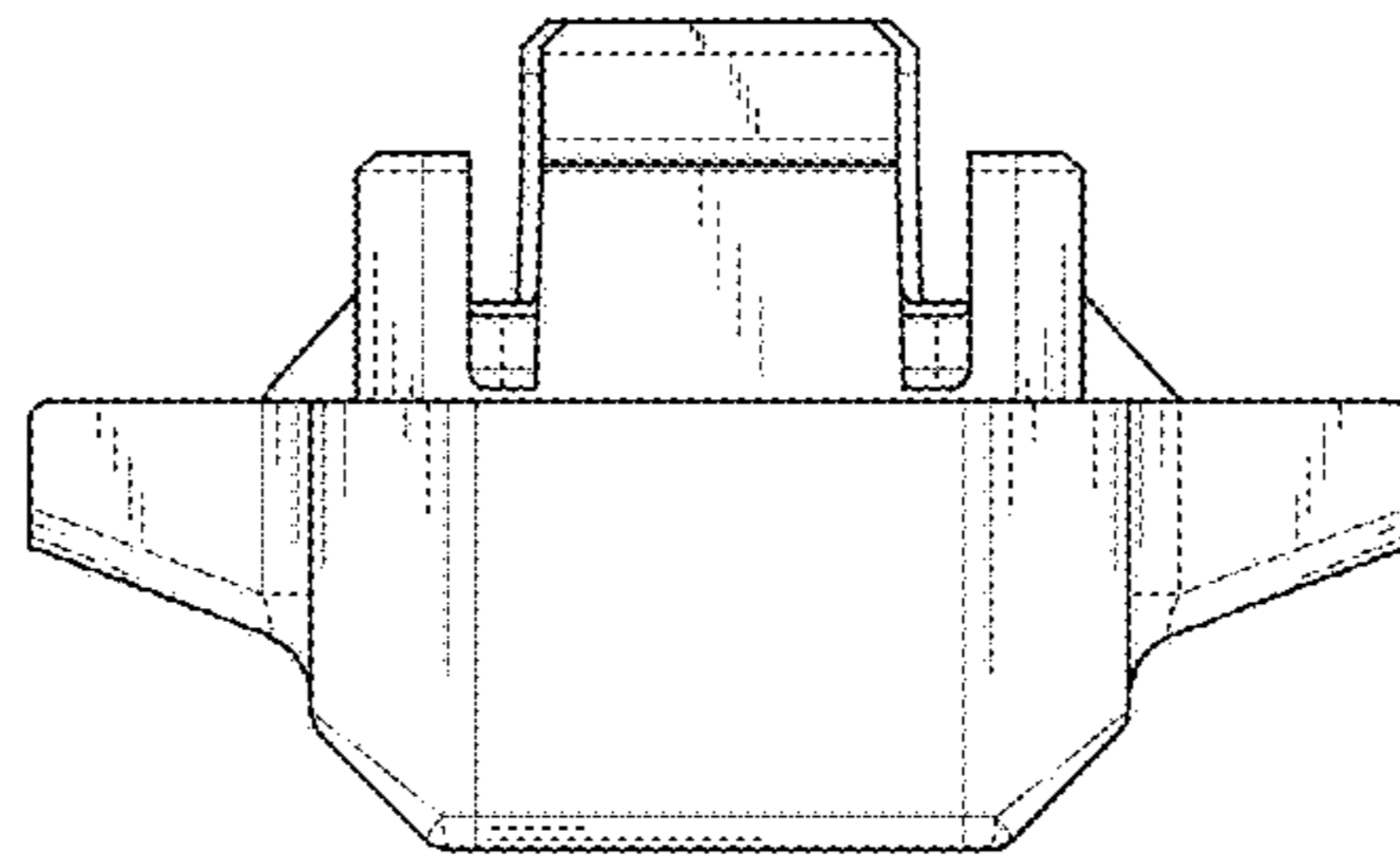


FIG. 7

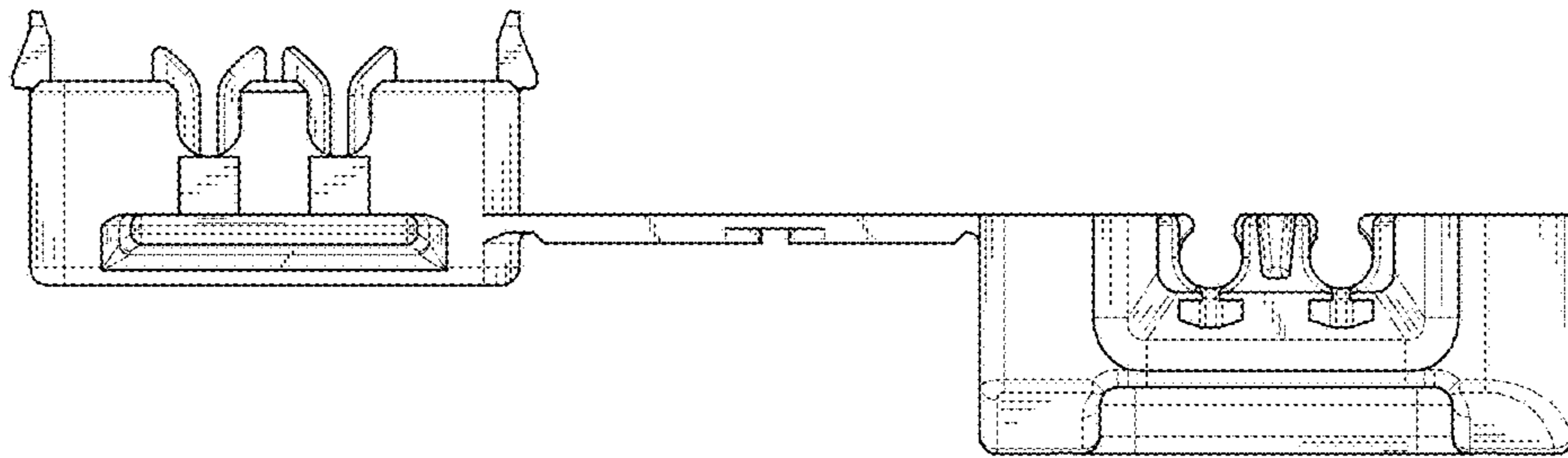


FIG. 8

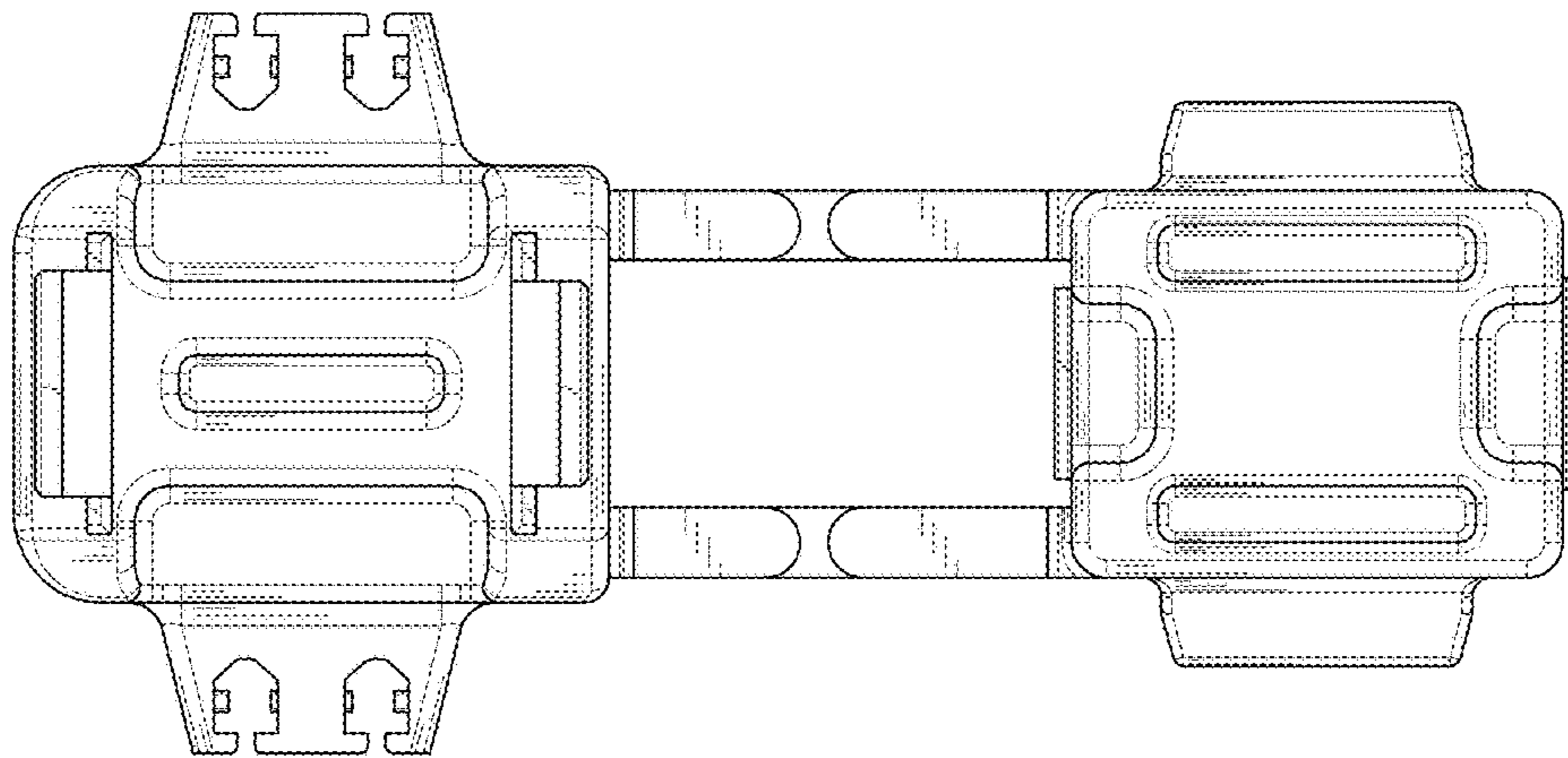


FIG. 9

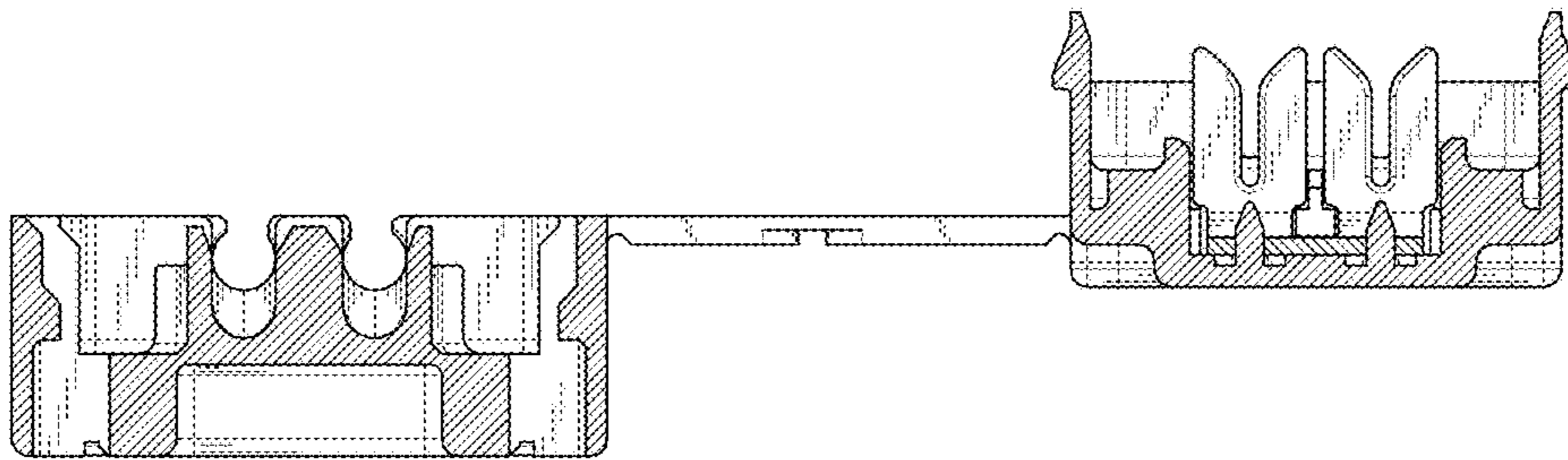


FIG. 10

