



US00D855572S

(12) **United States Design Patent**  
**Komoto**

(10) **Patent No.:** **US D855,572 S**

(45) **Date of Patent:** **\*\* Aug. 6, 2019**

(54) **CONNECTOR**

(71) Applicant: **Japan Aviation Electronics Industry, Limited**, Tokyo (JP)

(72) Inventor: **Tetsuya Komoto**, Tokyo (JP)

(73) Assignee: **JAPAN AVIATION ELECTRONICS INDUSTRY, LIMITED**, Tokyo (JP)

(\*\*) Term: **15 Years**

(21) Appl. No.: **29/642,721**

(22) Filed: **Apr. 2, 2018**

(30) **Foreign Application Priority Data**

Oct. 20, 2017 (JP) ..... 2017-023264

(51) **LOC (12) Cl.** ..... **13-03**

(52) **U.S. Cl.**  
USPC ..... **D13/147**

(58) **Field of Classification Search**  
USPC ..... D13/118, 120, 123, 133, 145-147, 151, D13/153, 154, 173, 184, 199  
CPC ..... H01R 4/50; H01R 12/00; H01R 12/10; H01R 12/57; H01R 13/04; H01R 13/20; H01R 13/621; H05K 1/14; H05K 7/10; G06F 1/18  
See application file for complete search history.

(56) **References Cited**

**U.S. PATENT DOCUMENTS**

- 5,073,116 A \* 12/1991 Beck, Jr. .... H05K 7/1069 206/724
- 6,752,632 B1 \* 6/2004 Anderson ..... H01R 13/502 174/66
- 6,780,056 B1 \* 8/2004 Neidich ..... H01R 12/52 439/607.35
- D524,246 S \* 7/2006 Wang ..... D13/147
- D531,122 S \* 10/2006 Asai ..... D13/147
- 7,234,946 B2 \* 6/2007 Hsieh ..... H01R 13/2435 439/71

- 8,221,135 B2 \* 7/2012 Chang ..... H05K 7/1053 439/71
- 2002/0196614 A1 \* 12/2002 DiBene, II ..... G06F 1/18 361/803
- 2005/0239302 A1 \* 10/2005 Wada ..... H05K 7/1038 439/71
- 2008/0032538 A1 \* 2/2008 Yen ..... H01R 12/57 439/342
- 2010/0033940 A1 \* 2/2010 Yamaguchi ..... C25D 7/00 361/803

\* cited by examiner

*Primary Examiner* — Angela J Lee

*Assistant Examiner* — Shawn T Gingrich

(74) *Attorney, Agent, or Firm* — Manabu Kanesaka

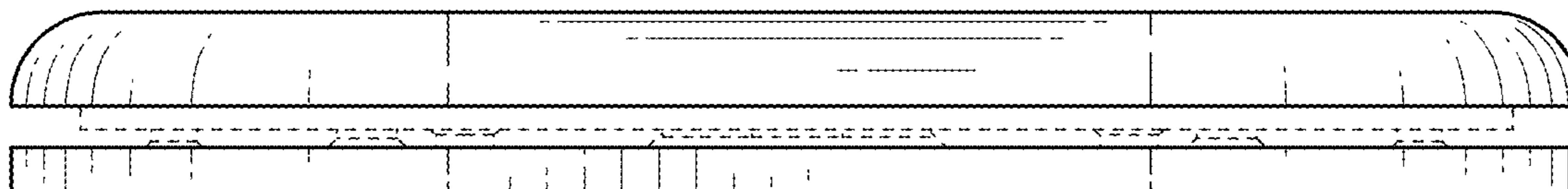
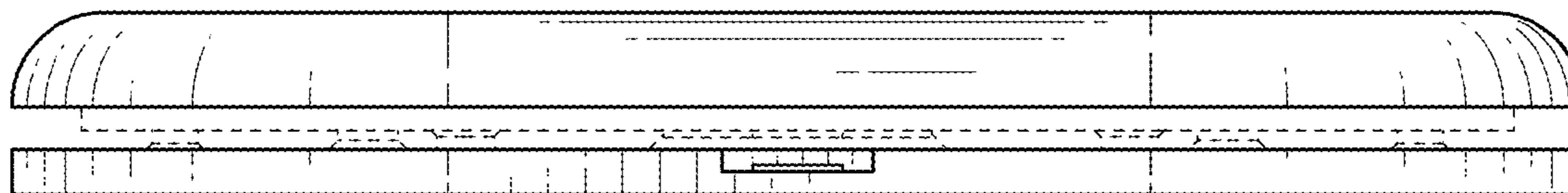
(57) **CLAIM**

The ornamental design for a connector, as shown and described.

**DESCRIPTION**

FIG. 1 is a front elevational view of a connector showing my new design;  
 FIG. 2 is a rear elevational view thereof;  
 FIG. 3 is a right side elevational view thereof;  
 FIG. 4 is a left side elevational view thereof;  
 FIG. 5 is a top plan view thereof;  
 FIG. 6 is a bottom plan view thereof;  
 FIG. 7 is a perspective view showing a front, top and right side thereof;  
 FIG. 8 is a perspective view showing a rear, bottom and left side thereof;  
 FIG. 9 is a perspective view showing a front, right side and bottom thereof; and,  
 FIG. 10 is a perspective view showing a rear, left side and top thereof.  
 The broken line showing of the connector is for the purpose of illustrating portions of the article and forms no part of the claimed design.

**1 Claim, 6 Drawing Sheets**



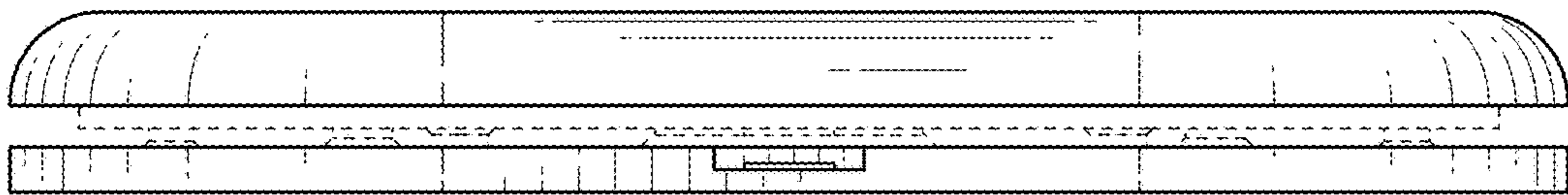


FIG. 1

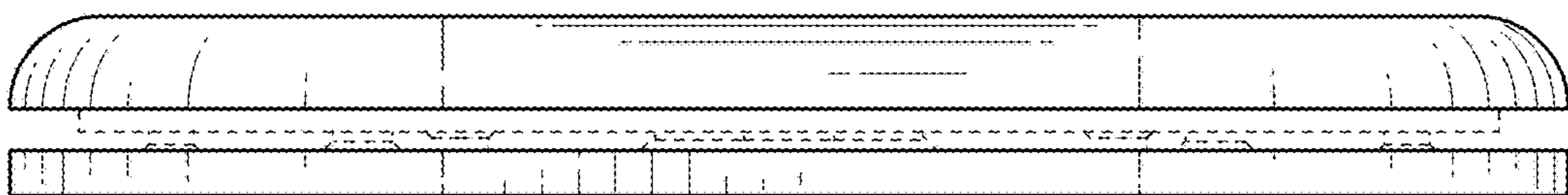


FIG. 2

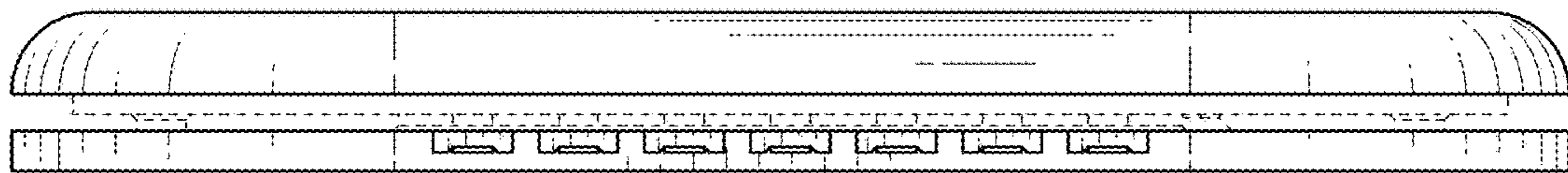


FIG. 3

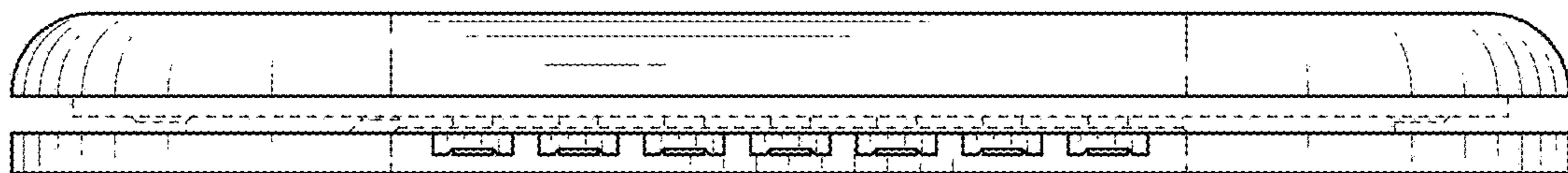


FIG. 4

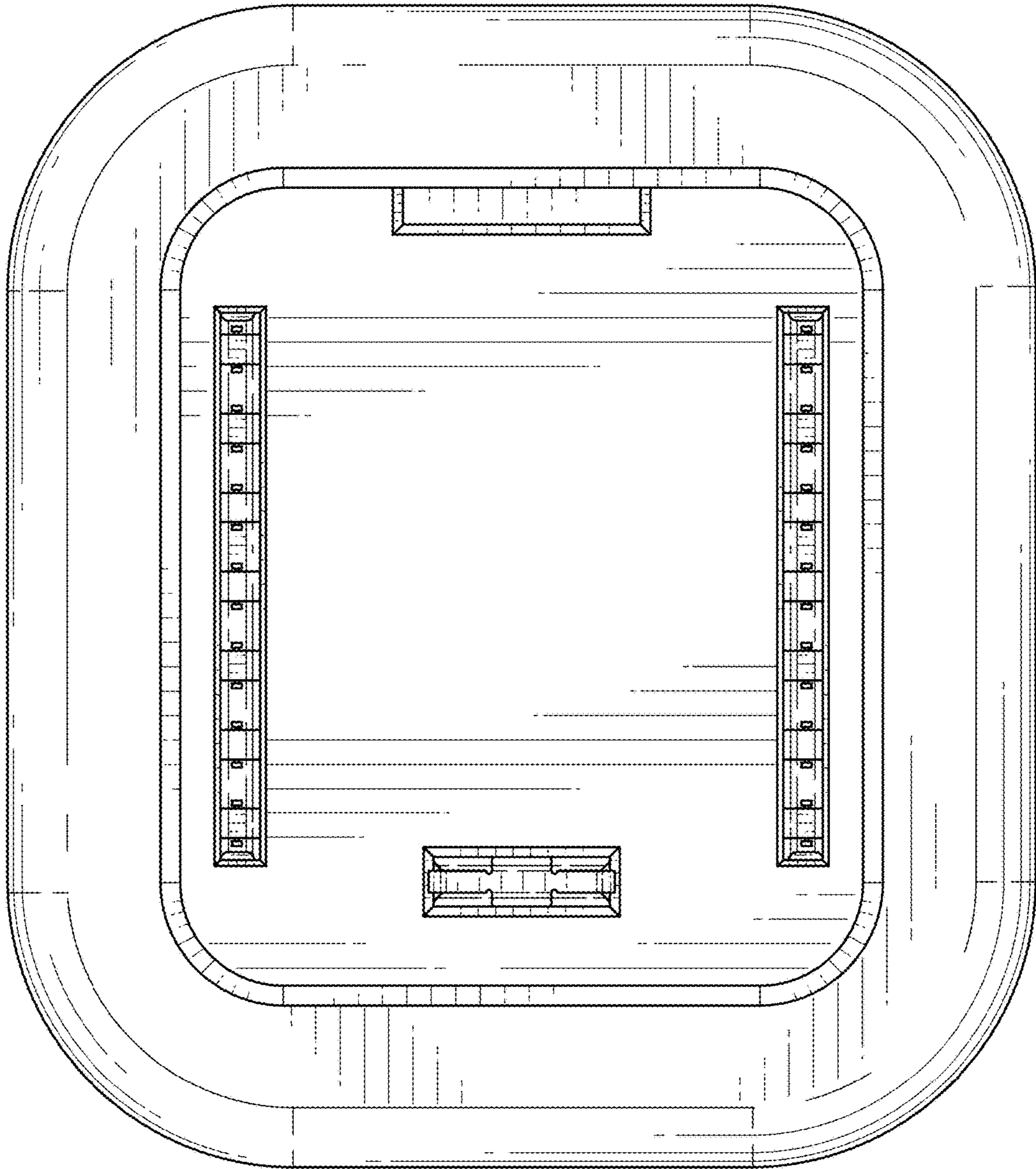


FIG. 5

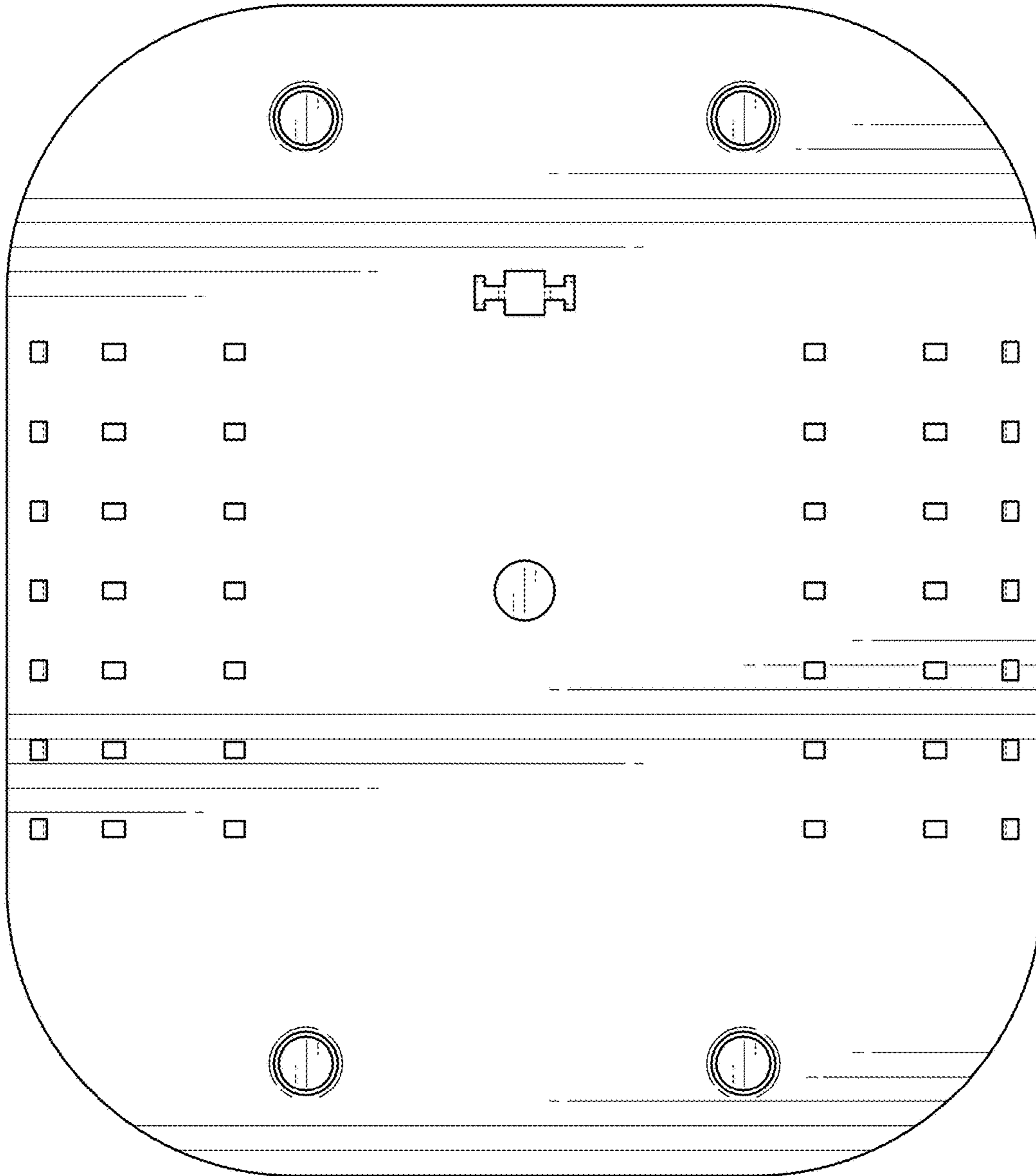


FIG. 6



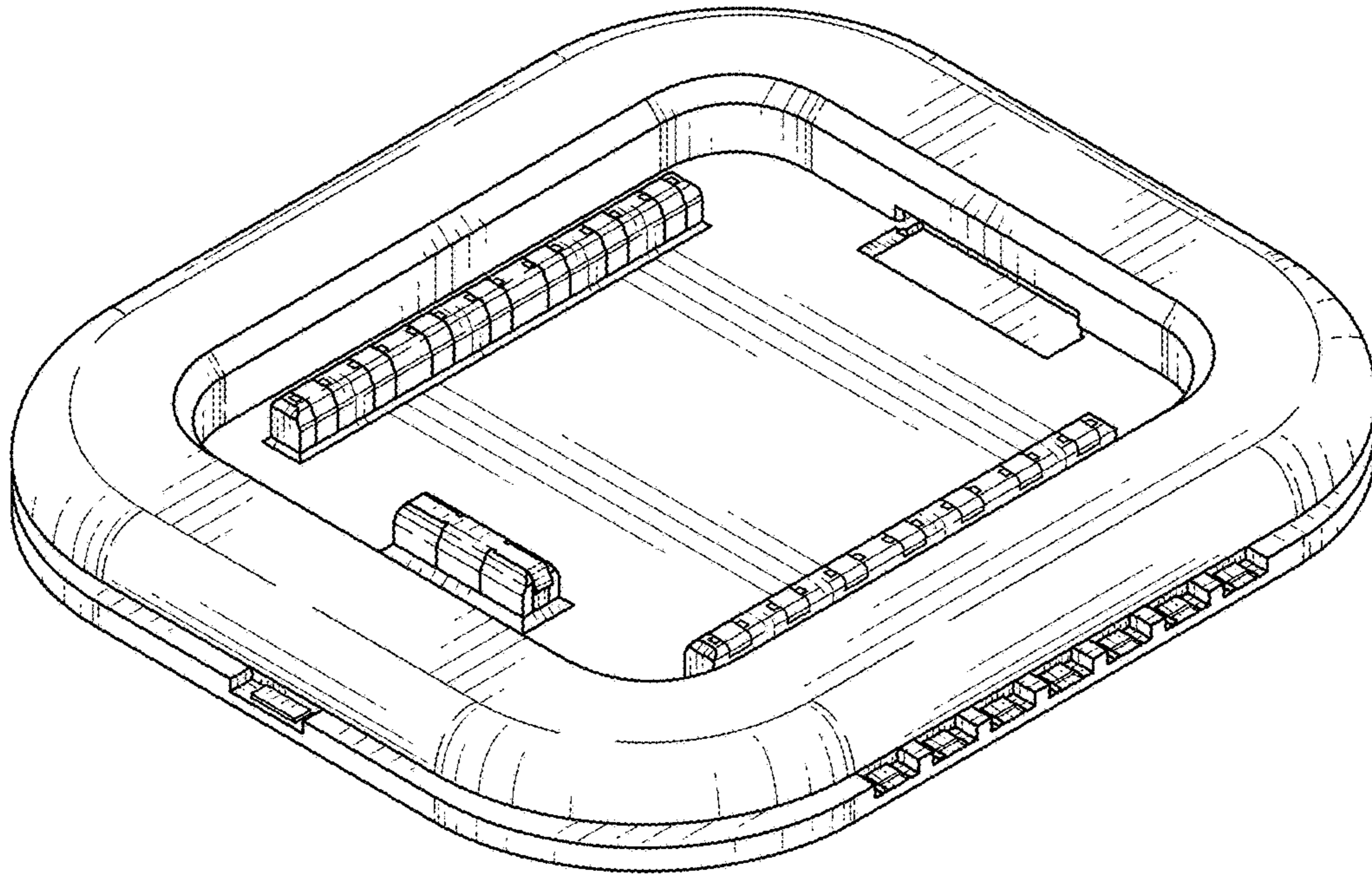


FIG. 7

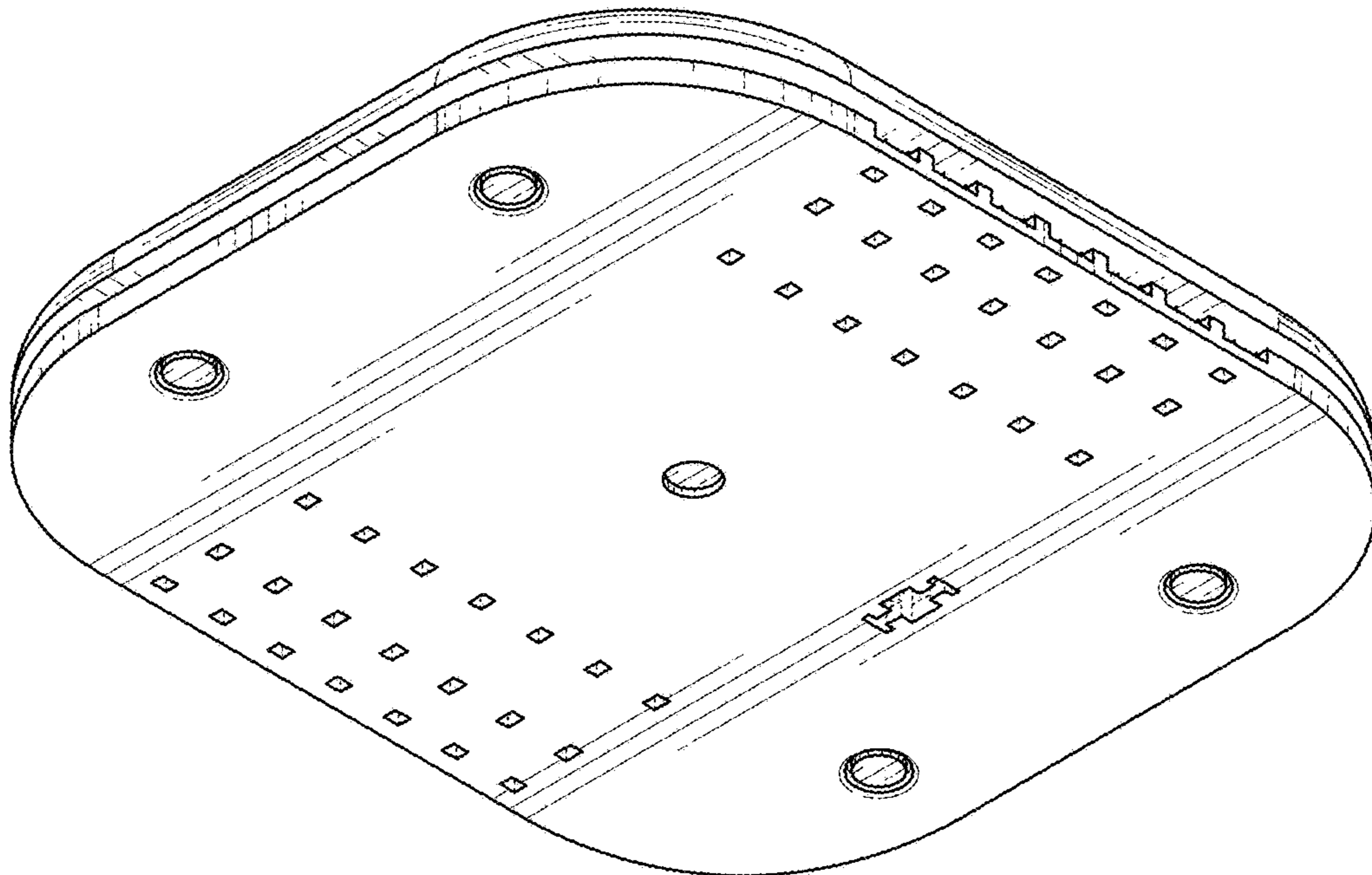


FIG. 8

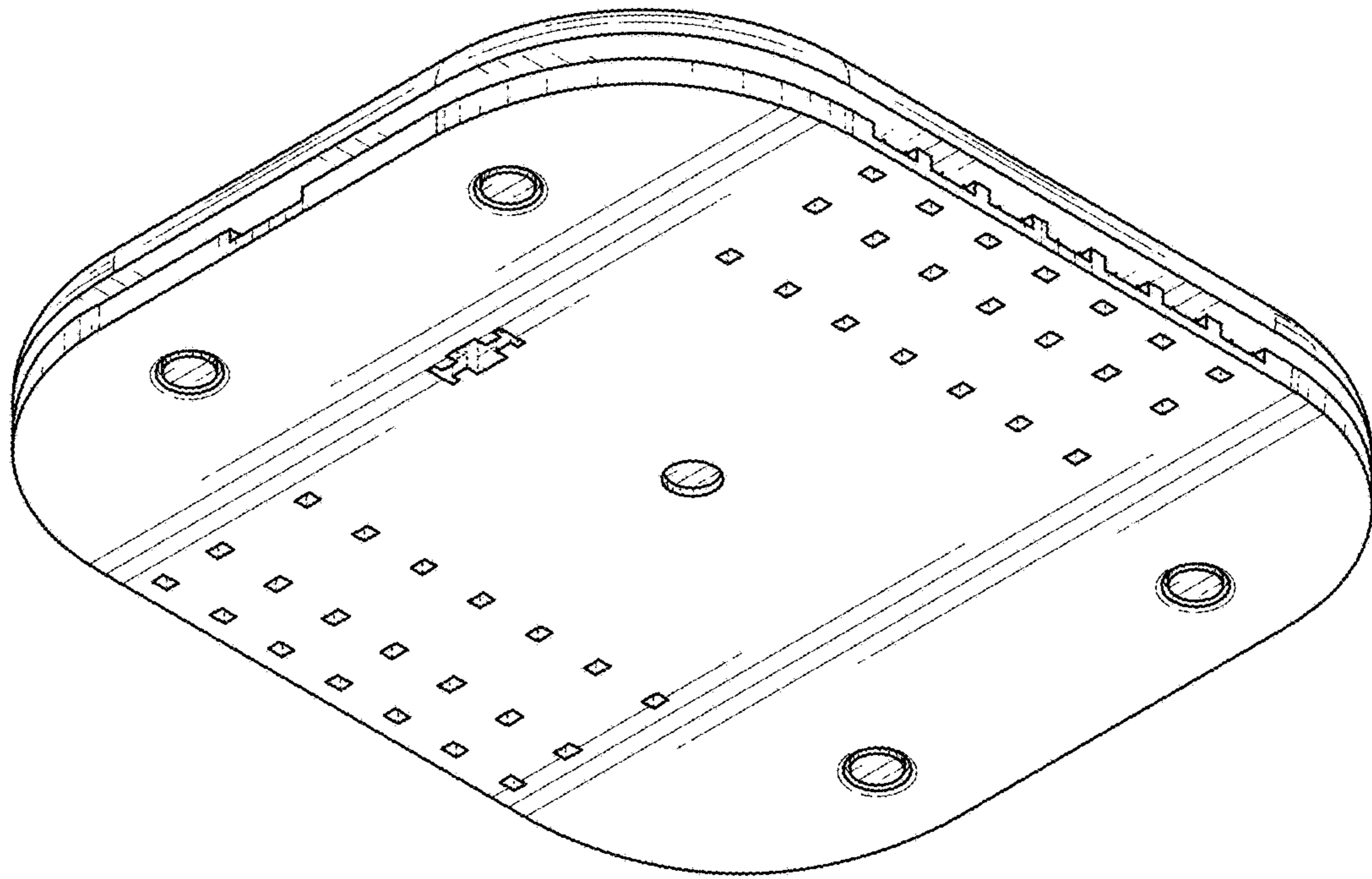


FIG. 9

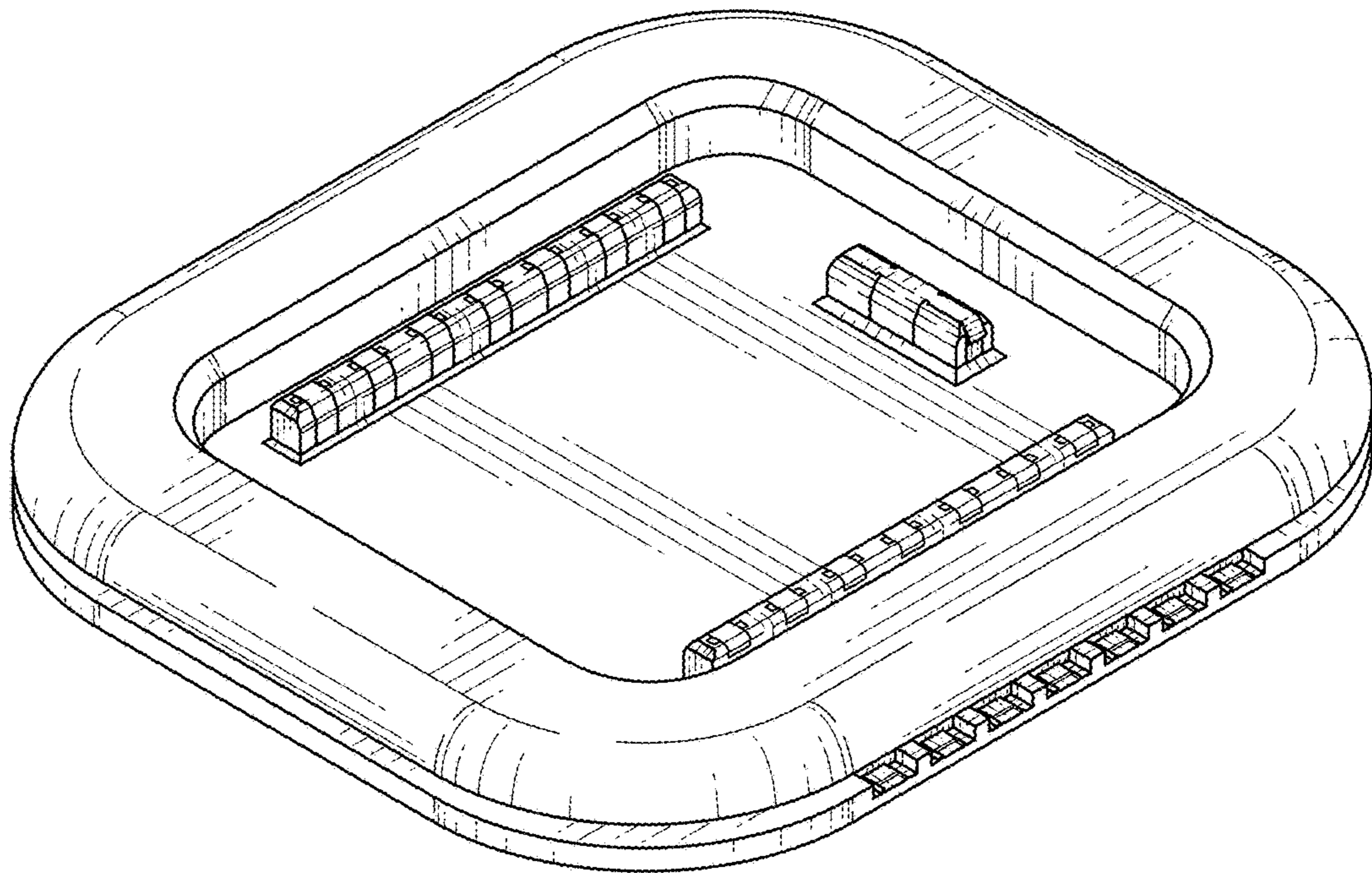


FIG. 10