



US00D855567S

(12) **United States Design Patent**
Cai

(10) **Patent No.:** **US D855,567 S**

(45) **Date of Patent:** **** Aug. 6, 2019**

(54) **CHARGING DISK**

(71) Applicant: **Yong-Yue Cai**, Nin-Bo (CN)

(72) Inventor: **Yong-Yue Cai**, Nin-Bo (CN)

(**) Term: **15 Years**

(21) Appl. No.: **29/649,219**

(22) Filed: **May 29, 2018**

(51) **LOC (12) Cl.** **13-02**

(52) **U.S. Cl.**
USPC **D13/108**

(58) **Field of Classification Search**

USPC D13/107–110, 118–119, 184, 199;
D14/251, 253, 432, 434
CPC Y02E 60/12; Y02T 90/14; Y02T 90/122;
Y02T 90/128; Y02T 90/163; Y02T
10/7005; Y02T 10/7088; H02J 7/025;
H02J 7/0042; H02J 7/0044; H02J 7/0045;
H02J 7/0003; H01F 38/14; H01R
13/6675; H01M 2/1022; H01M 2/1055;
H01M 10/44; H01M 10/46; H01M
10/425; B60L 11/182

See application file for complete search history.

(56) **References Cited**

U.S. PATENT DOCUMENTS

D524,282 S *	7/2006	Beasley	D13/108
D645,818 S *	9/2011	Guccione	D13/108
D654,431 S *	2/2012	Stephanchick	D13/108
D694,182 S *	11/2013	Lee	D13/108
D700,571 S *	3/2014	Guccione	D13/108
D701,831 S *	4/2014	Park	D13/108
D717,244 S *	11/2014	Reishus	D13/108
D718,236 S *	11/2014	Murray	D13/108
D720,289 S *	12/2014	Chiang	D13/108
D734,254 S *	7/2015	Chen	D13/108
D738,303 S *	9/2015	Symons	D13/108
D738,823 S *	9/2015	Chen	D13/108
D740,750 S *	10/2015	Mayden	D13/108

D749,504 S *	2/2016	Jeong	D13/108
D757,014 S *	5/2016	Hahn	D13/108
D772,813 S *	11/2016	Wahl	D13/108
D774,455 S *	12/2016	Kim	D13/108
D777,103 S *	1/2017	Park	D13/108
D782,973 S *	4/2017	Zhou	D13/108
D784,259 S *	4/2017	Huang	D13/108
D786,792 S *	5/2017	Miller	D13/110
D794,556 S *	8/2017	Liao	D13/107
D794,557 S *	8/2017	Kim	D13/108
D795,182 S *	8/2017	Akana	D13/108
D795,183 S *	8/2017	Akana	D13/108
D796,433 S *	9/2017	Langhammer	D13/108
D797,042 S *	9/2017	Miller	D13/107
D797,668 S *	9/2017	Park	D13/108
D800,060 S *	10/2017	Solland	D13/108

(Continued)

Primary Examiner — Rosemary K Tarcza

(74) *Attorney, Agent, or Firm* — Lin & Associates
Intellectual Property, Inc.

(57) **CLAIM**

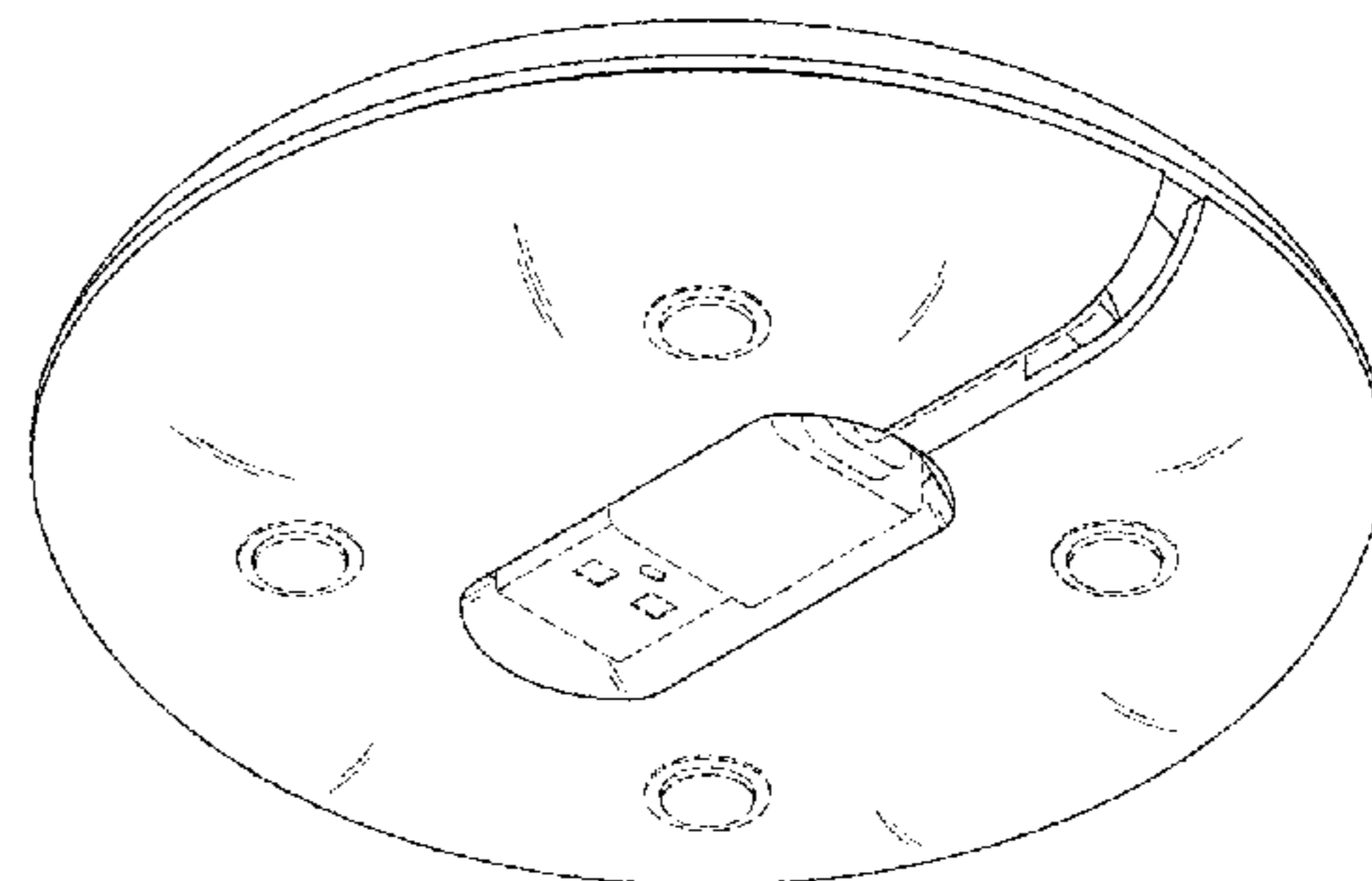
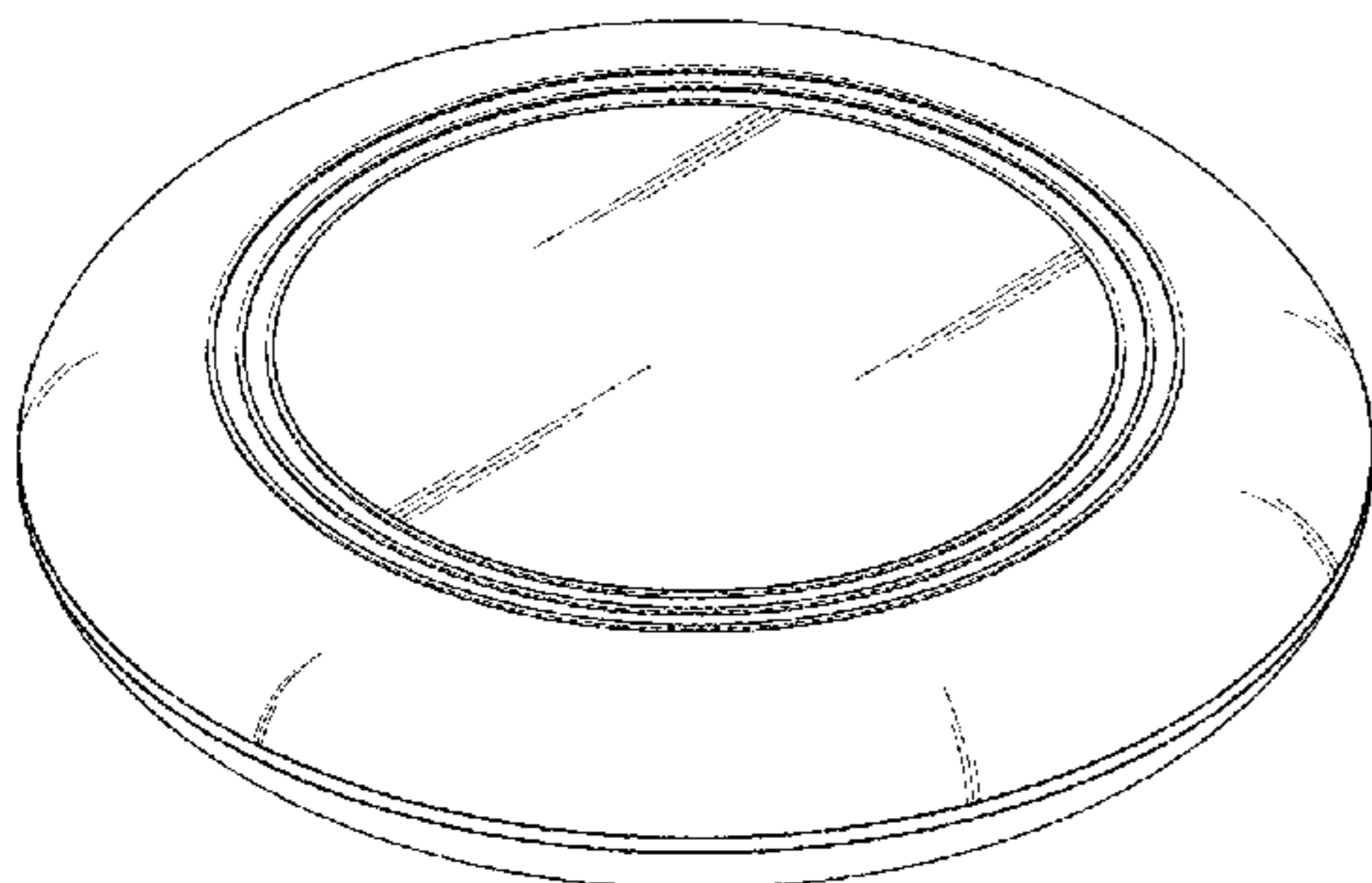
The ornamental design for a charging disk, as shown and described.

DESCRIPTION

FIG. 1 is a top perspective view of a charging disk showing my new design;
FIG. 2 is a front elevational view thereof;
FIG. 3 is a rear elevational view thereof;
FIG. 4 is a left elevational view thereof;
FIG. 5 is a right elevational view thereof;
FIG. 6 is a top view thereof;
FIG. 7 is a bottom view thereof;
FIG. 8 is a bottom perspective view thereof; and,
FIG. 9 is a top perspective view thereof, shown in a state of use.

The broken lines shown in the drawings are included for the purpose of illustrating portions of the charging disk which form no part of the claimed design.

1 Claim, 9 Drawing Sheets



(56)

References Cited

U.S. PATENT DOCUMENTS

D806,020 S *	12/2017	Lu	D13/107
D808,901 S *	1/2018	Kelly	D13/107
D809,456 S *	2/2018	Miller	D13/110
D810,015 S *	2/2018	Carreon	D13/108
D811,326 S *	2/2018	Woo	D13/108
D817,268 S *	5/2018	Symons	D13/108
D832,264 S *	10/2018	Kim	D14/434
D839,189 S *	1/2019	Miller	D13/108
D839,191 S *	1/2019	Akana	D13/108
D841,578 S *	2/2019	Kim	D13/108

* cited by examiner

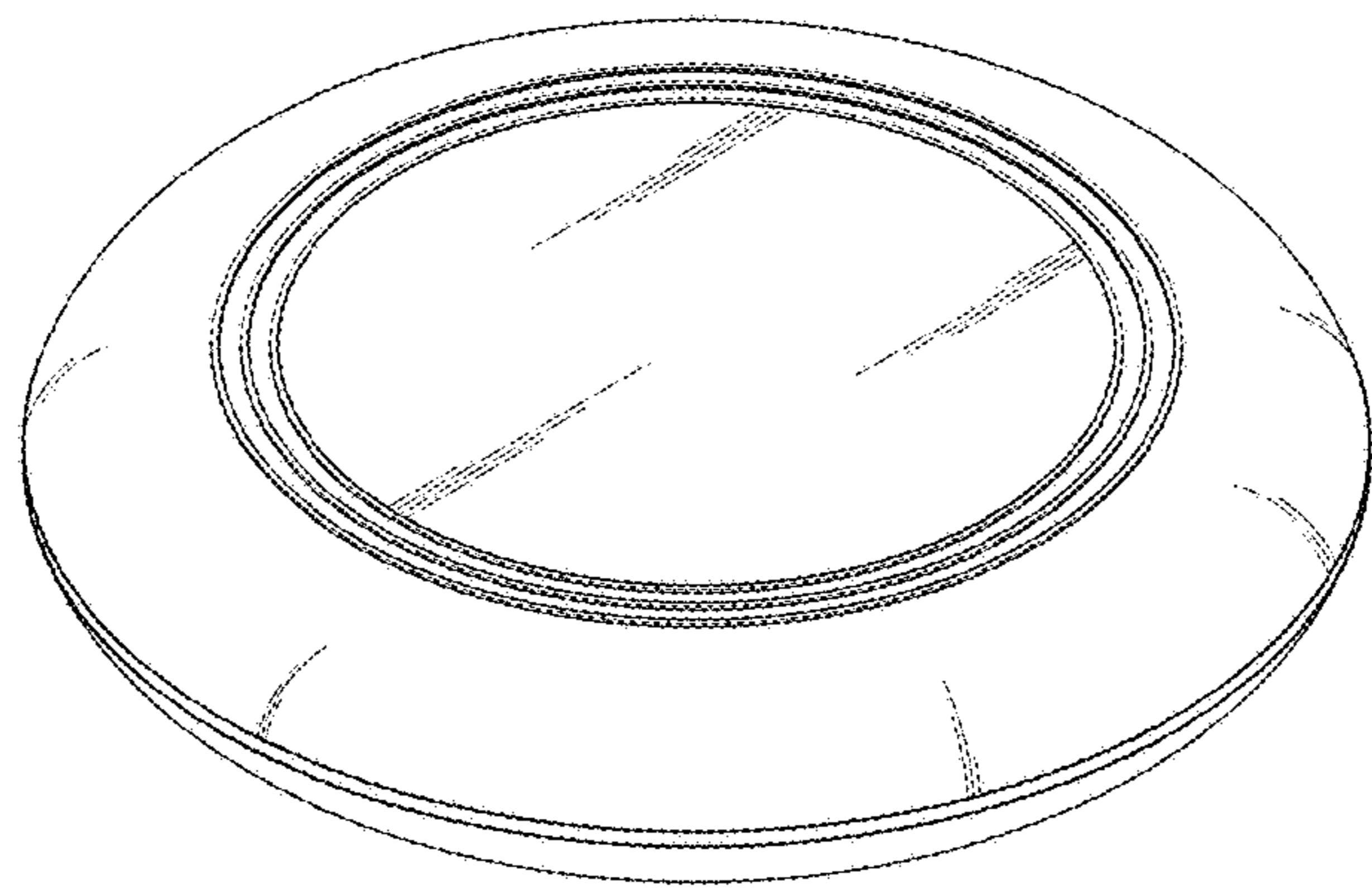


FIG. 1

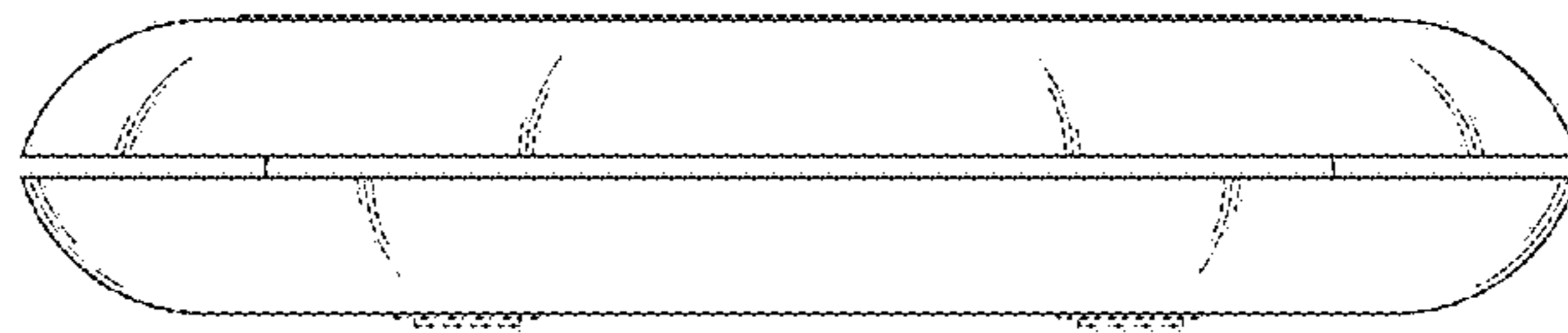


FIG. 2

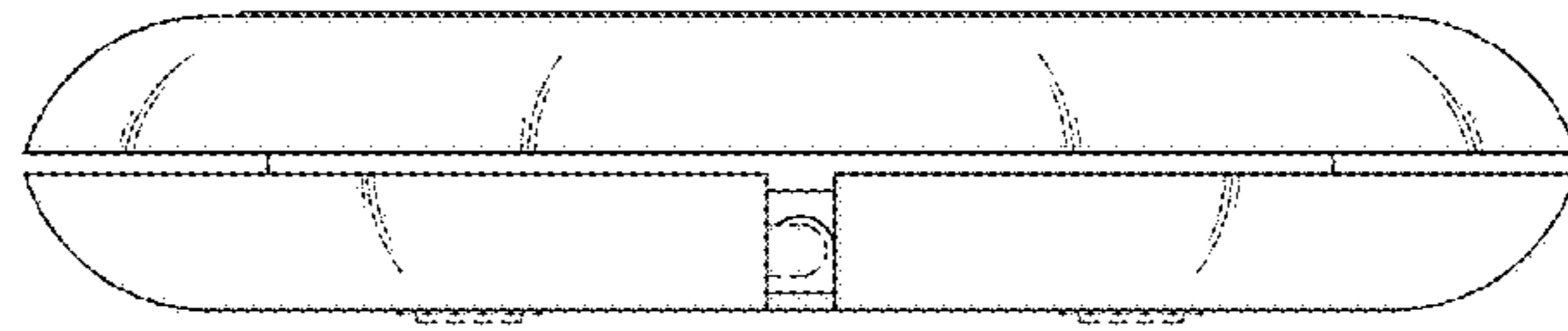


FIG. 3

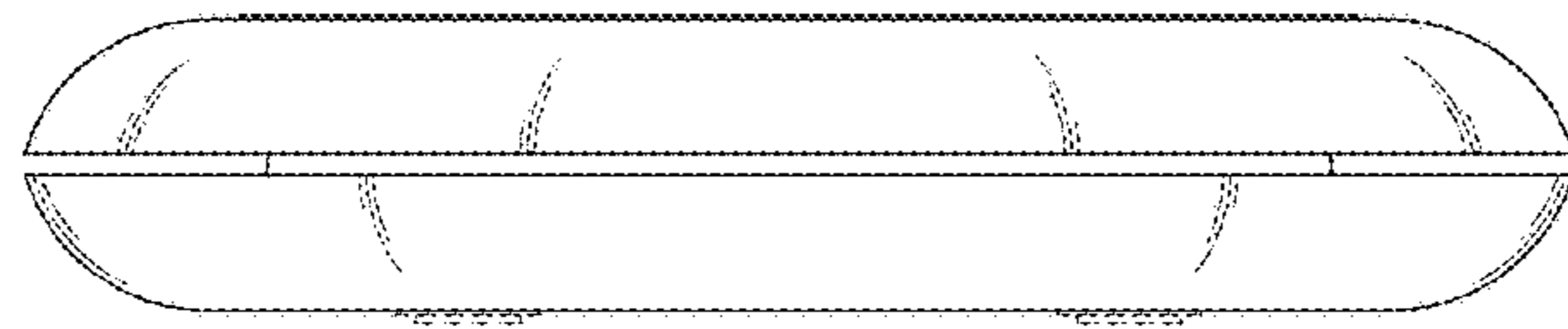


FIG. 4

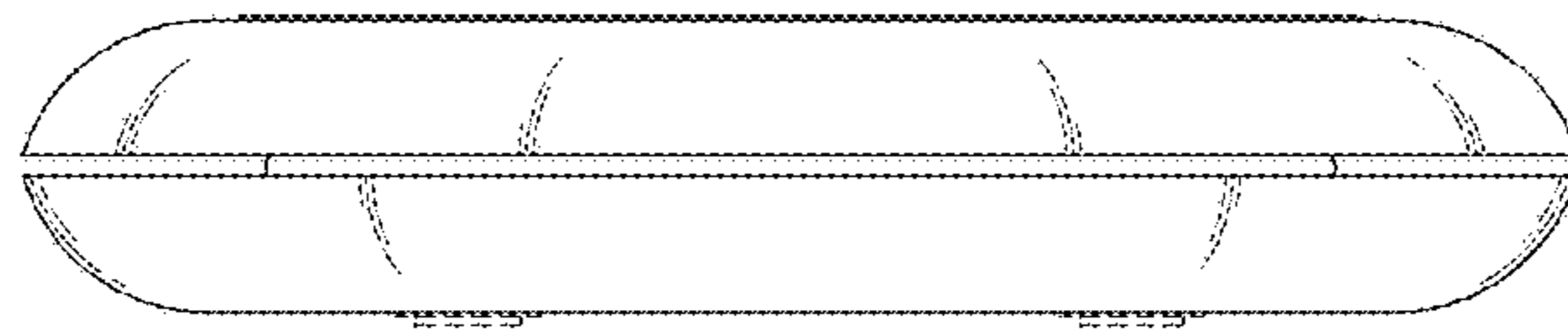


FIG. 5

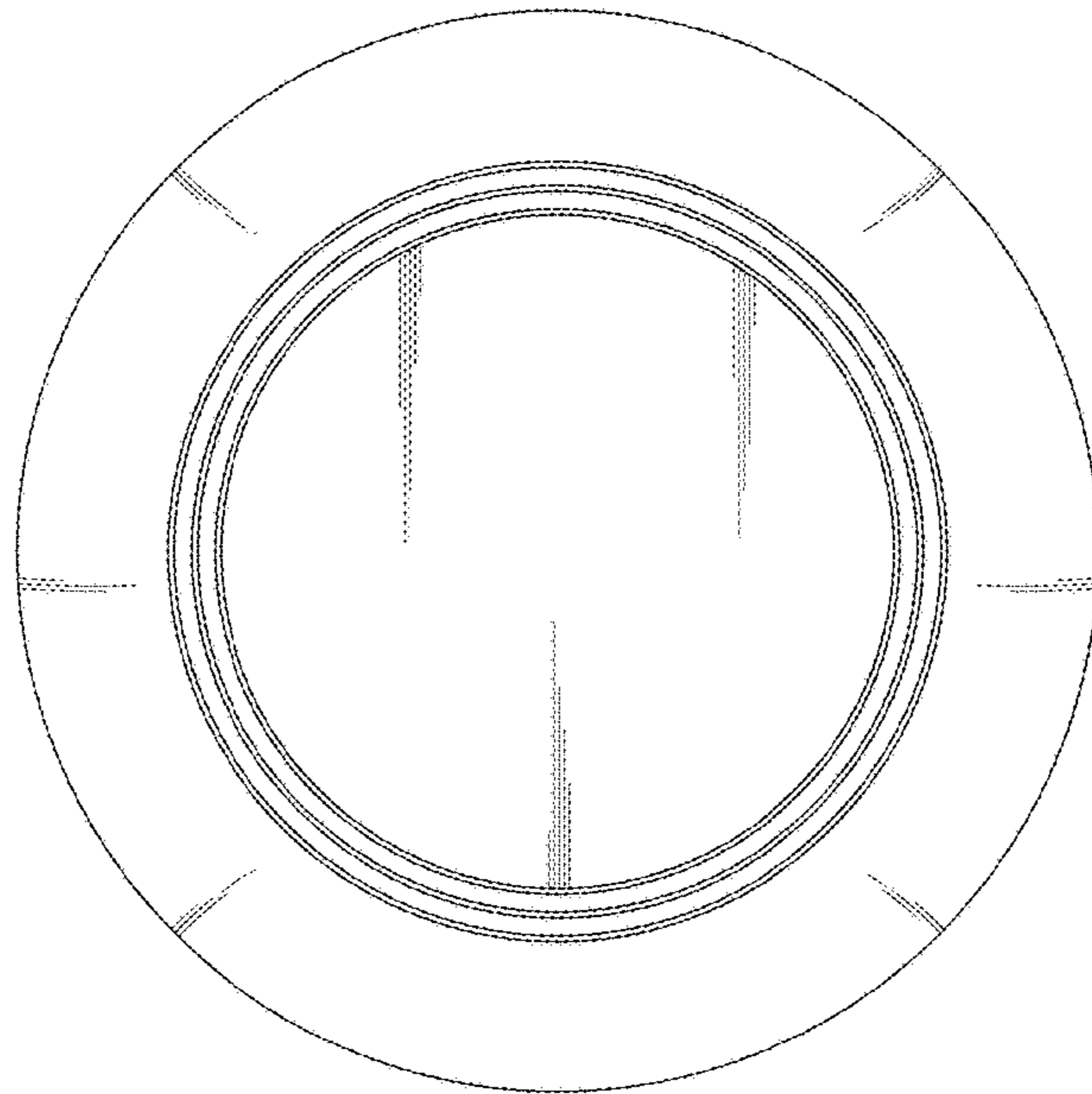


FIG. 6

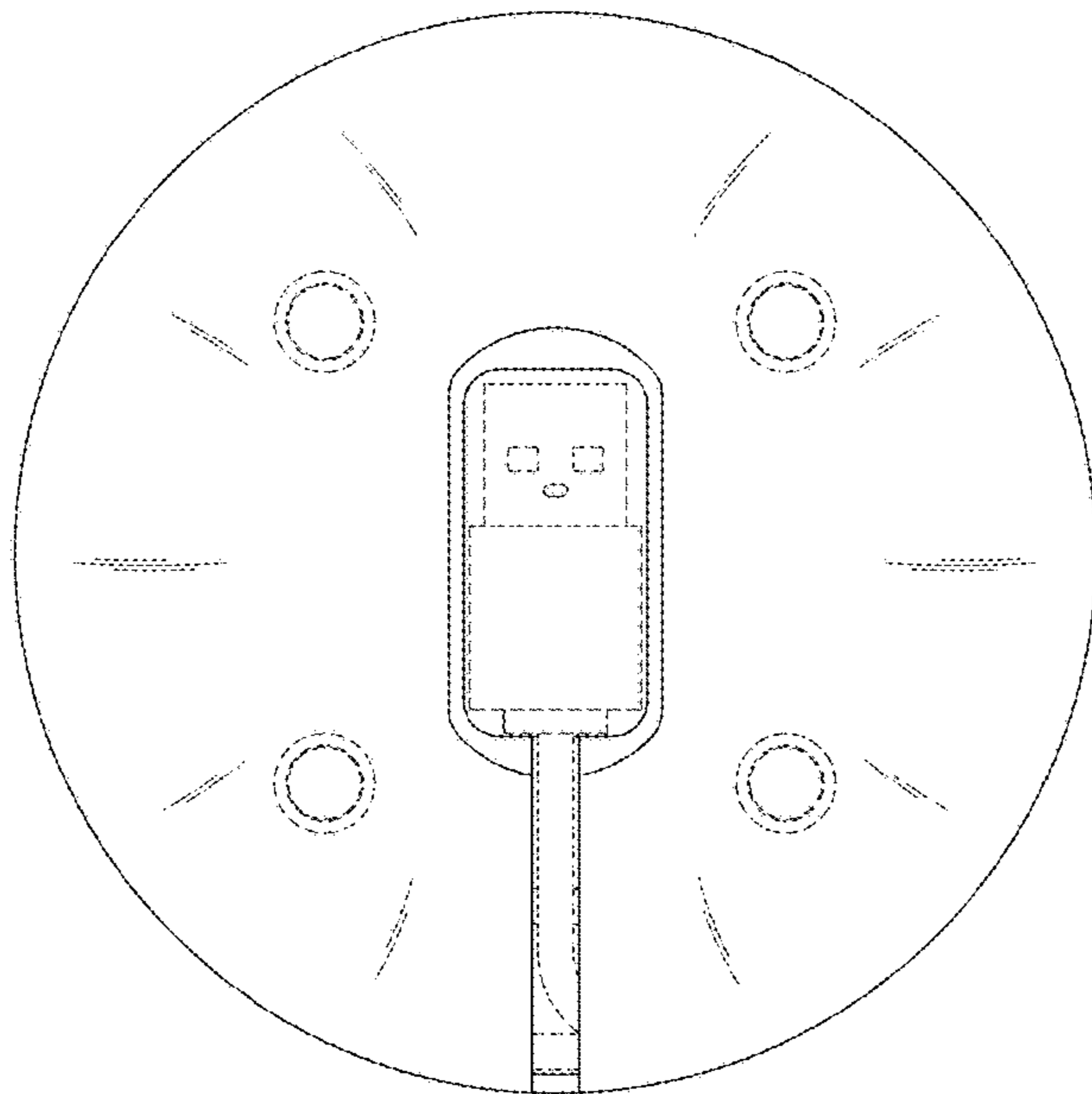


FIG. 7

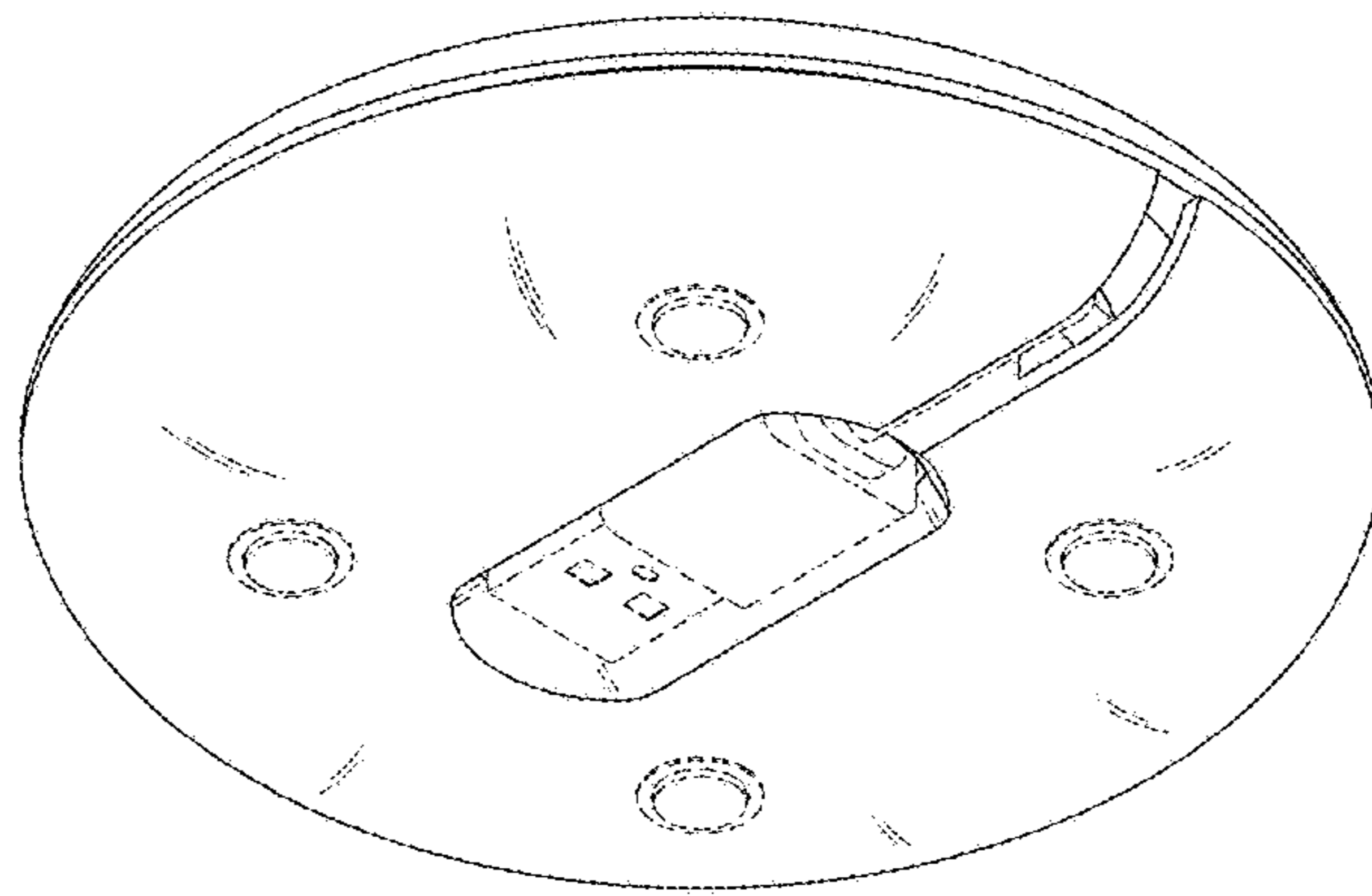


FIG. 8

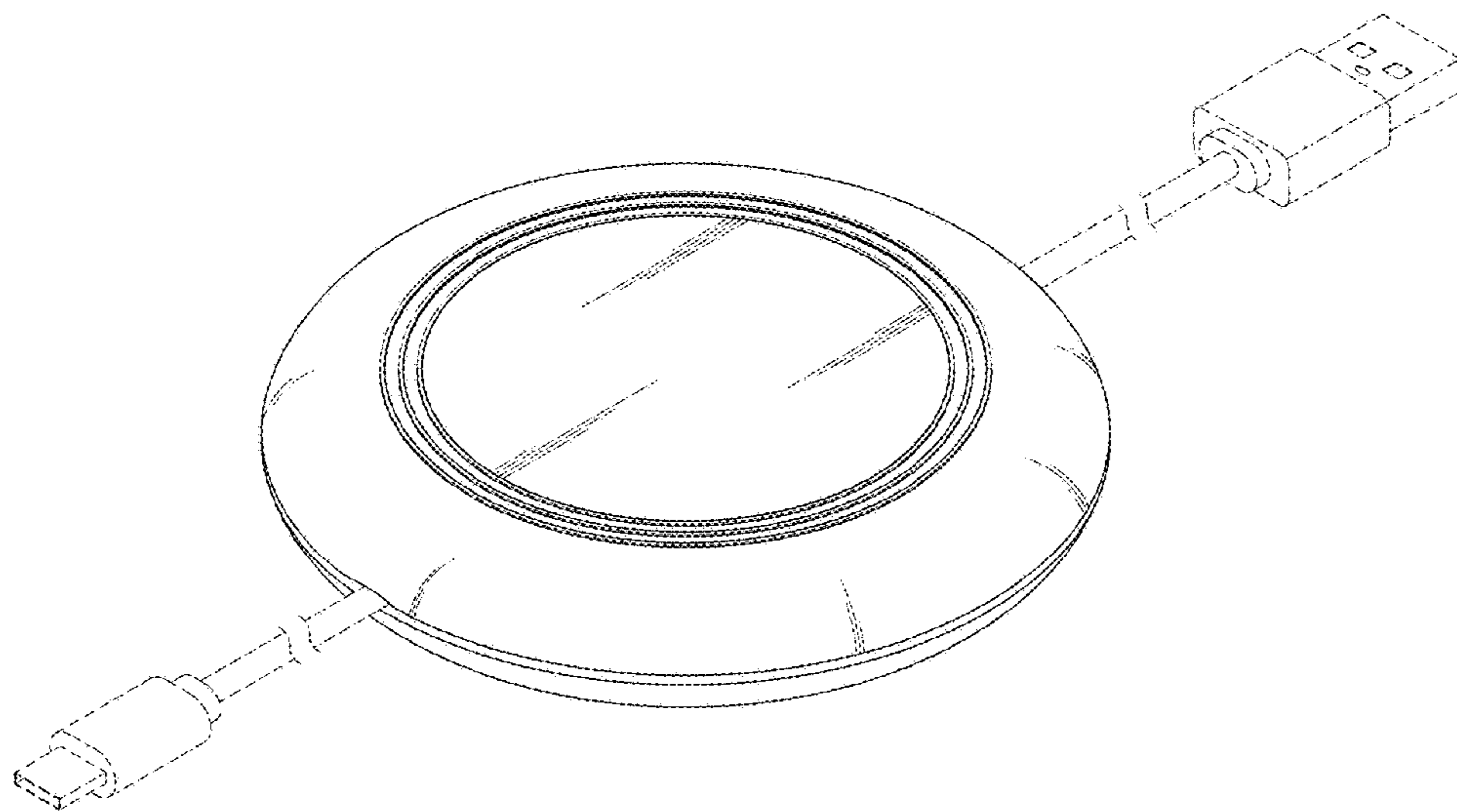


FIG. 9