



US00D855565S

(12) **United States Design Patent** (10) **Patent No.:** **US D855,565 S**  
**Bonilla et al.** (45) **Date of Patent:** **\*\* Aug. 6, 2019**

- (54) **POWER BOX**
- (71) Applicant: **Hubbell Incorporated**, Shelton, CT (US)
- (72) Inventors: **Nelson Bonilla**, Shelton, CT (US);  
**David Ridgeway**, Milford, CT (US);  
**Jason Walker**, Bethany, CT (US);  
**Armin Ahrari**, Chino, CA (US)
- (73) Assignee: **Hubbell Incorporated**, Shelton, CT (US)
- (\*\*) Term: **15 Years**
- (21) Appl. No.: **29/625,601**
- (22) Filed: **Nov. 10, 2017**
- (51) **LOC (12) Cl.** ..... **13-02**
- (52) **U.S. Cl.**  
USPC ..... **D13/108**
- (58) **Field of Classification Search**  
USPC ..... D13/103, 107-108, 110; D14/356, 432;  
D27/162, 167; D7/512, 513, 700  
CPC ..... Y02E 60/10; Y02E 60/12; Y02E 60/122;  
Y02E 60/124; Y02E 60/50; H01M 2/02;  
H01M 2/022; H01M 2/0202; H01M  
2/0207; H01M 2/0212; H01M 2/1061;  
H01M 2/1022; H01M 2/1055; H01M  
2/1066; H01M 2/105; H01M 2/20; H01M  
2/202; H01M 2/204; H01M 2/206; H01M  
10/44; H01M 10/46; H01M 10/465;  
H01M 10/482; H01M 2200/30; H01M  
2250/30; H01M 2250/40; H02J 7/00;  
H02J 7/0003; H02J 7/0011; H02J 7/0013;  
H02J 7/0054; H02J 7/0055; H02J 7/0057;  
H02J 2007/0062  
See application file for complete search history.

- D554,584 S \* 11/2007 Feldman ..... D13/110
- D565,571 S \* 4/2008 Trifilio ..... D14/356
- D575,729 S \* 8/2008 Nomi ..... D13/107
- D643,807 S \* 8/2011 Jiang ..... D13/103
- D711,821 S \* 8/2014 Wang ..... D13/103
- D722,018 S \* 2/2015 Wang ..... D13/103
- D733,051 S \* 6/2015 Wang ..... D13/103
- D763,185 S \* 8/2016 Wen ..... D13/103
- D764,410 S \* 8/2016 Alesi ..... D13/110
- D820,209 S \* 6/2018 Lemelson ..... D13/110

(Continued)

**OTHER PUBLICATIONS**

Arconas, inPower Flex Specifications, arconas.com, Oct. 2016 (4 pages).

*Primary Examiner* — Jennifer Rivard

*Assistant Examiner* — Alison M Ofstun

(74) *Attorney, Agent, or Firm* — Michael Best & Friedrich, LLP

(57) **CLAIM**

We claim the ornamental design for a power box, as shown and described.

**DESCRIPTION**

FIG. 1 is a first perspective view of a power box according to a new design.

FIG. 2 is a first end view of the power box of FIG. 1.

FIG. 3 is a second end view of the power box of FIG. 1.

FIG. 4 is a first side elevation view of the power box of FIG. 1.

FIG. 5 is a second side elevation view of the power box of FIG. 1.

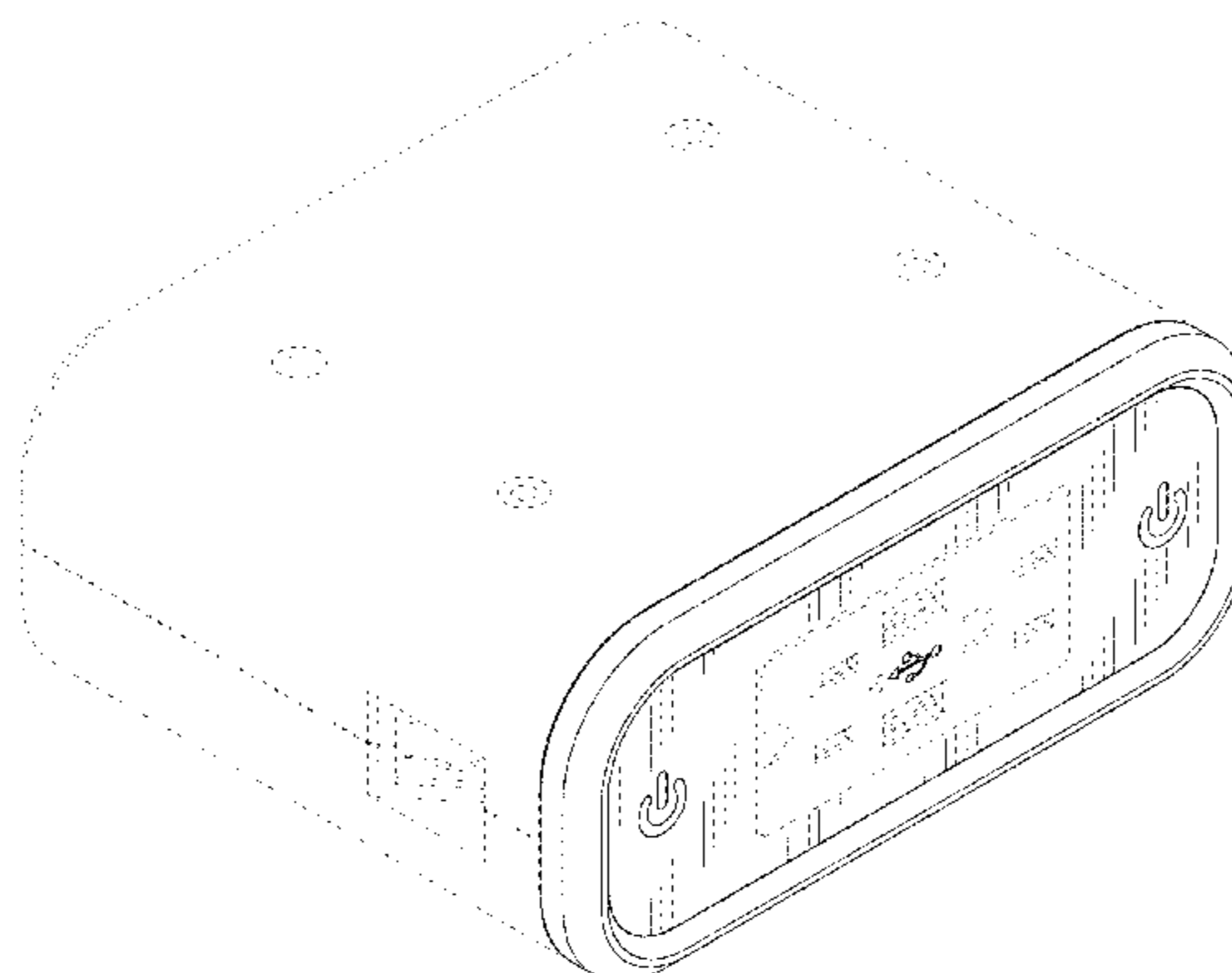
FIG. 6 is a first plan view of the power box of FIG. 1; and, FIG. 7 is a second plan view of the power box of FIG. 1.

The elements shown in broken lines are included for the purpose of illustrating portions of the power box that form no part of the claimed design.

**1 Claim, 5 Drawing Sheets**

(56) **References Cited**  
U.S. PATENT DOCUMENTS

- D520,502 S \* 5/2006 Xu ..... D14/356
- D544,438 S \* 6/2007 Hussaini ..... D13/110



(56)

**References Cited**

U.S. PATENT DOCUMENTS

D825,459 S *	8/2018	Xiong .....	D13/110
D826,854 S *	8/2018	Roberts .....	D13/108
D828,297 S *	9/2018	Gan .....	D13/110
D833,411 S *	11/2018	Castle .....	D14/155
2014/0335919 A1 *	11/2014	Stewart .....	H02J 7/0042 455/573

\* cited by examiner

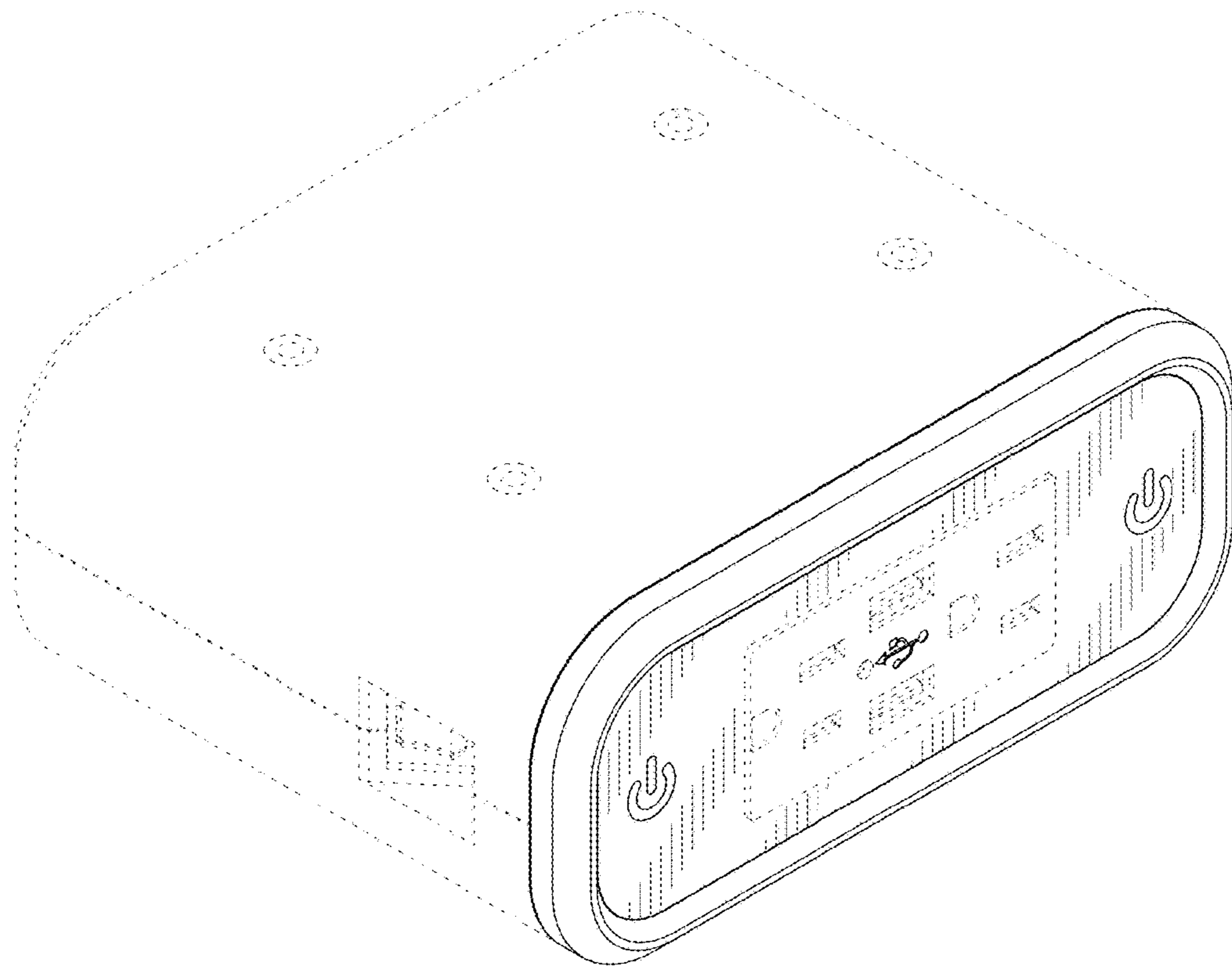


FIG. 1

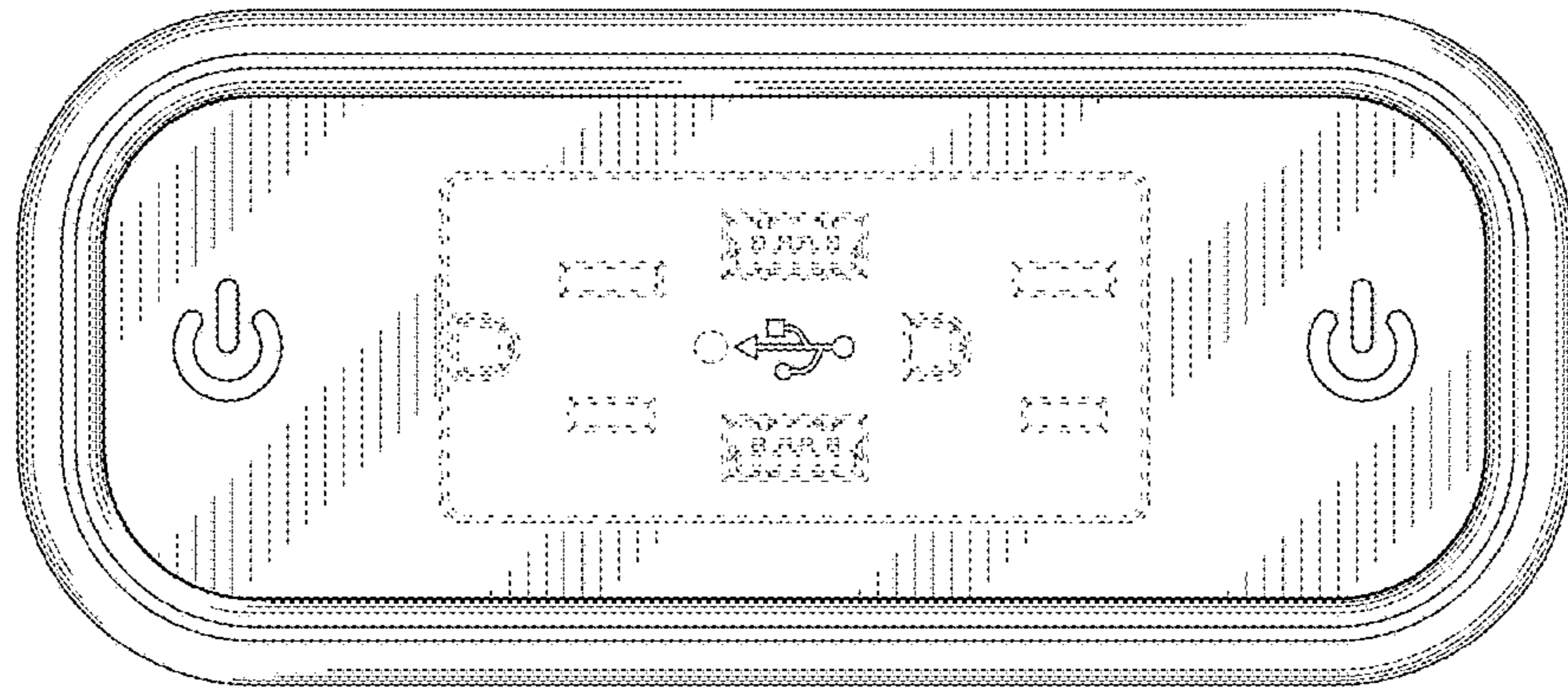


FIG. 2

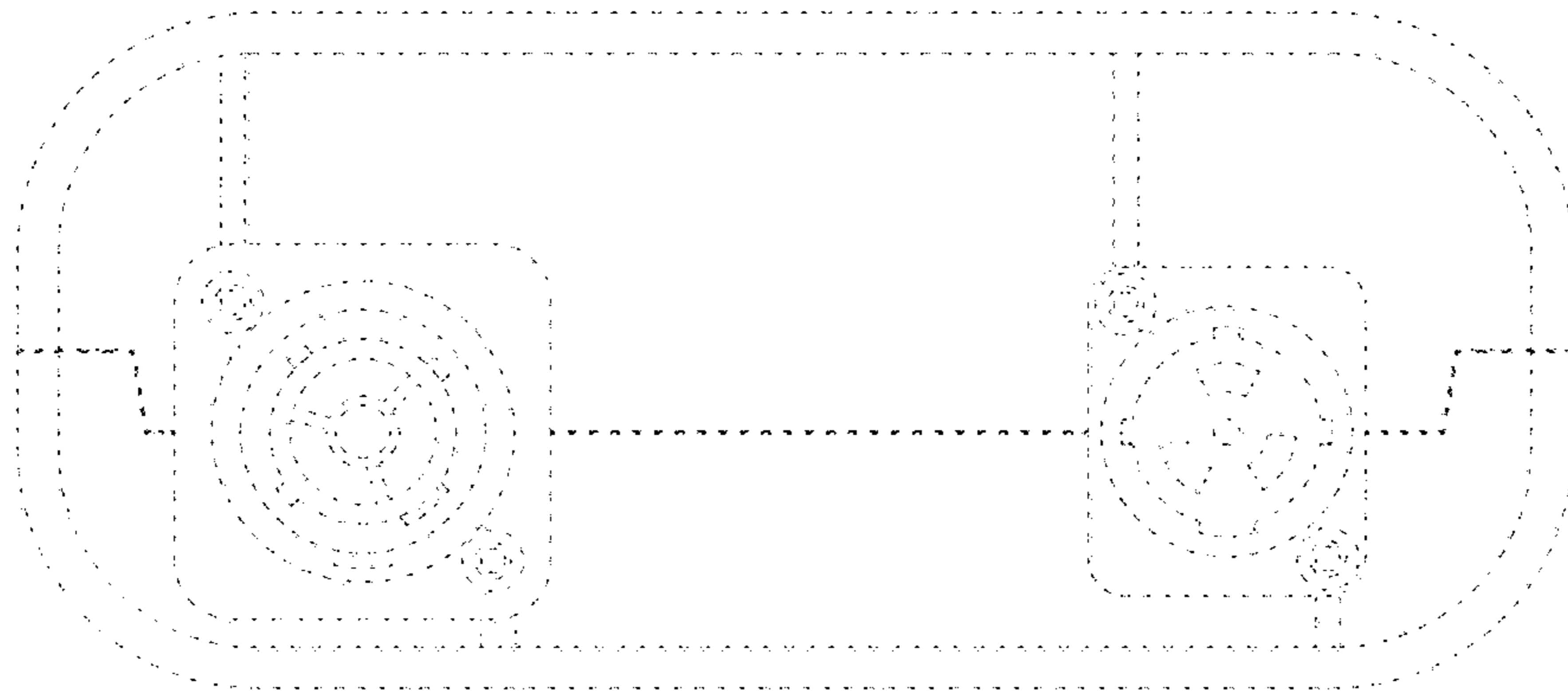


FIG. 3

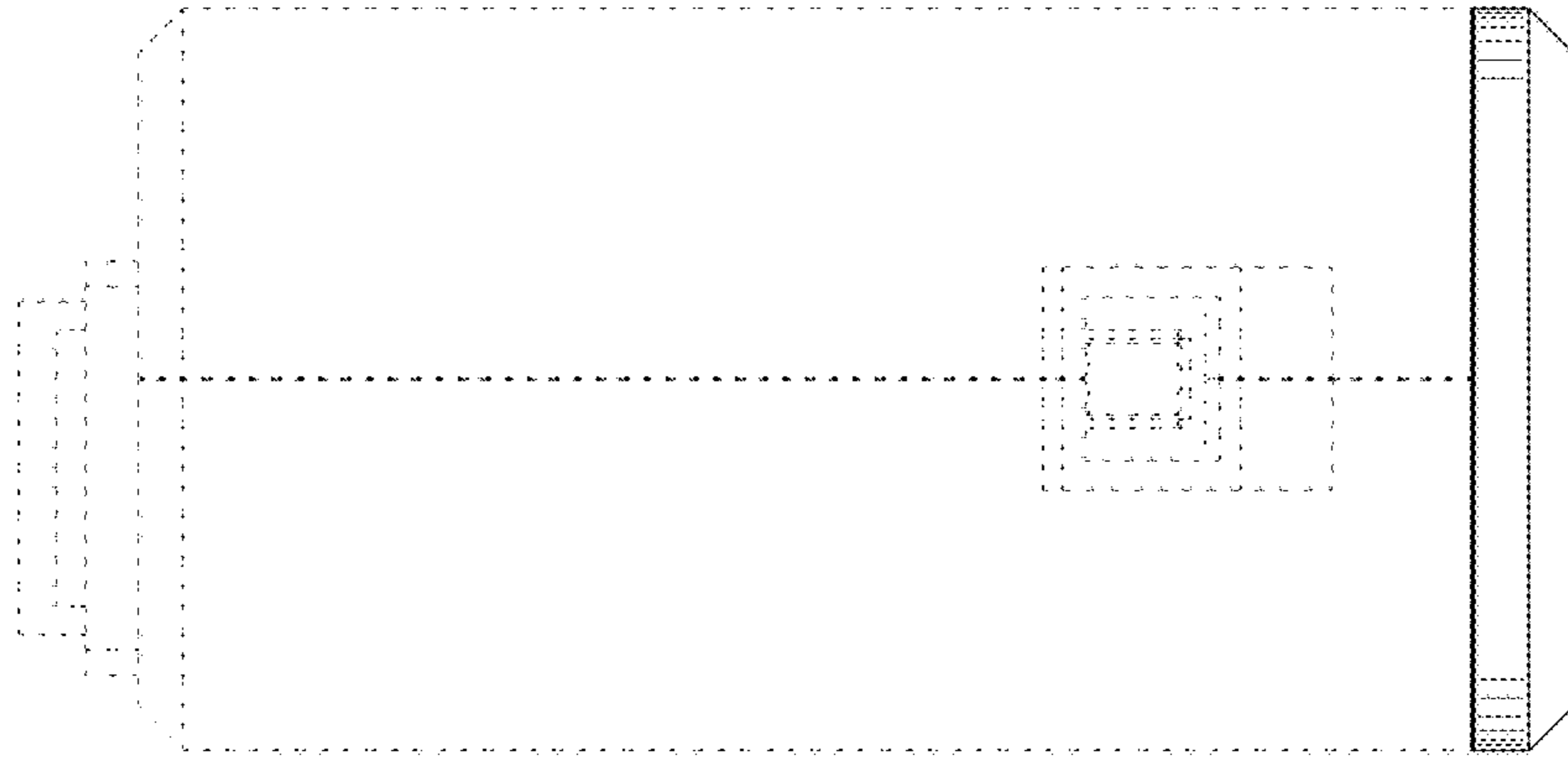


FIG. 4

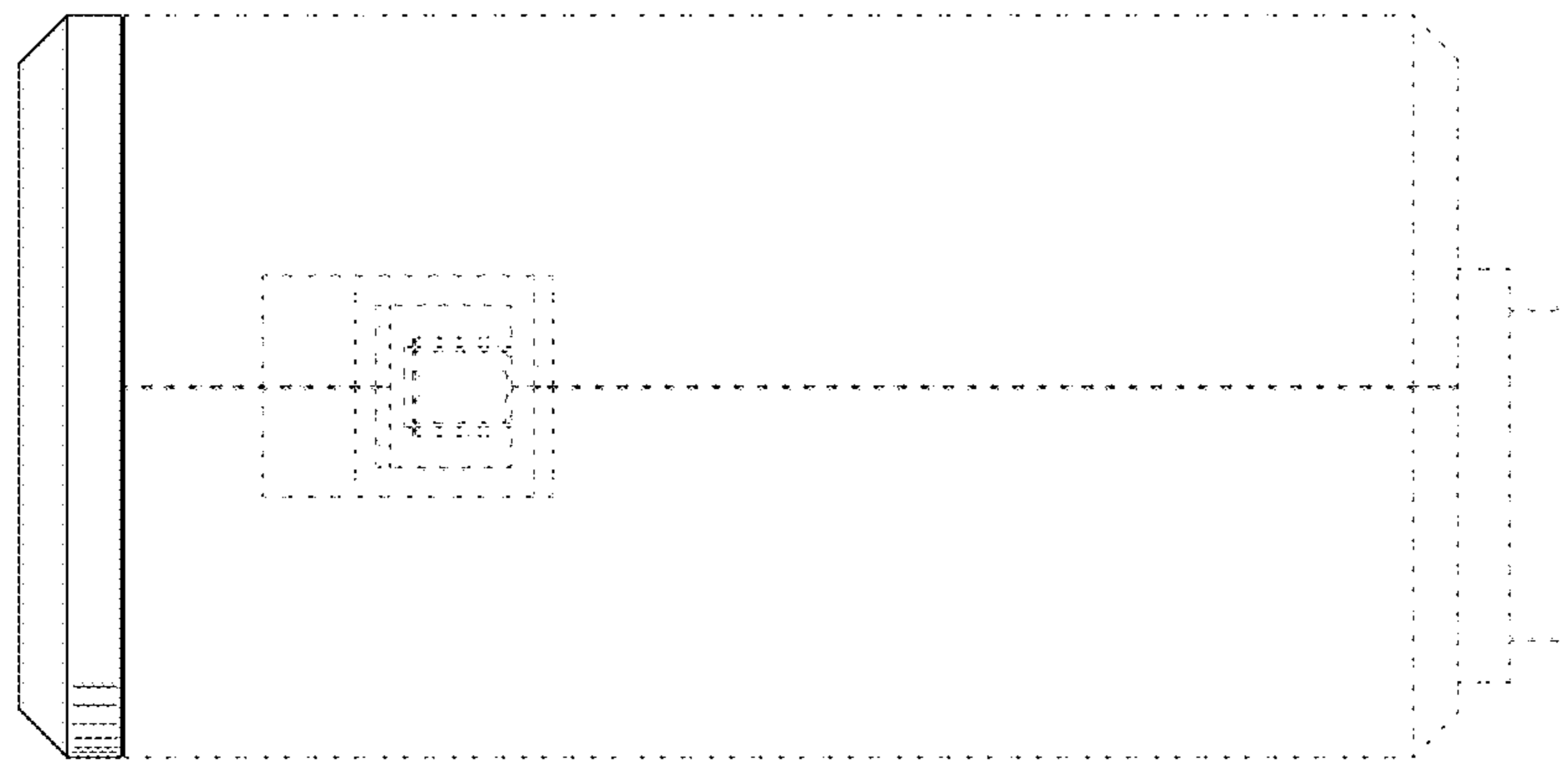


FIG. 5

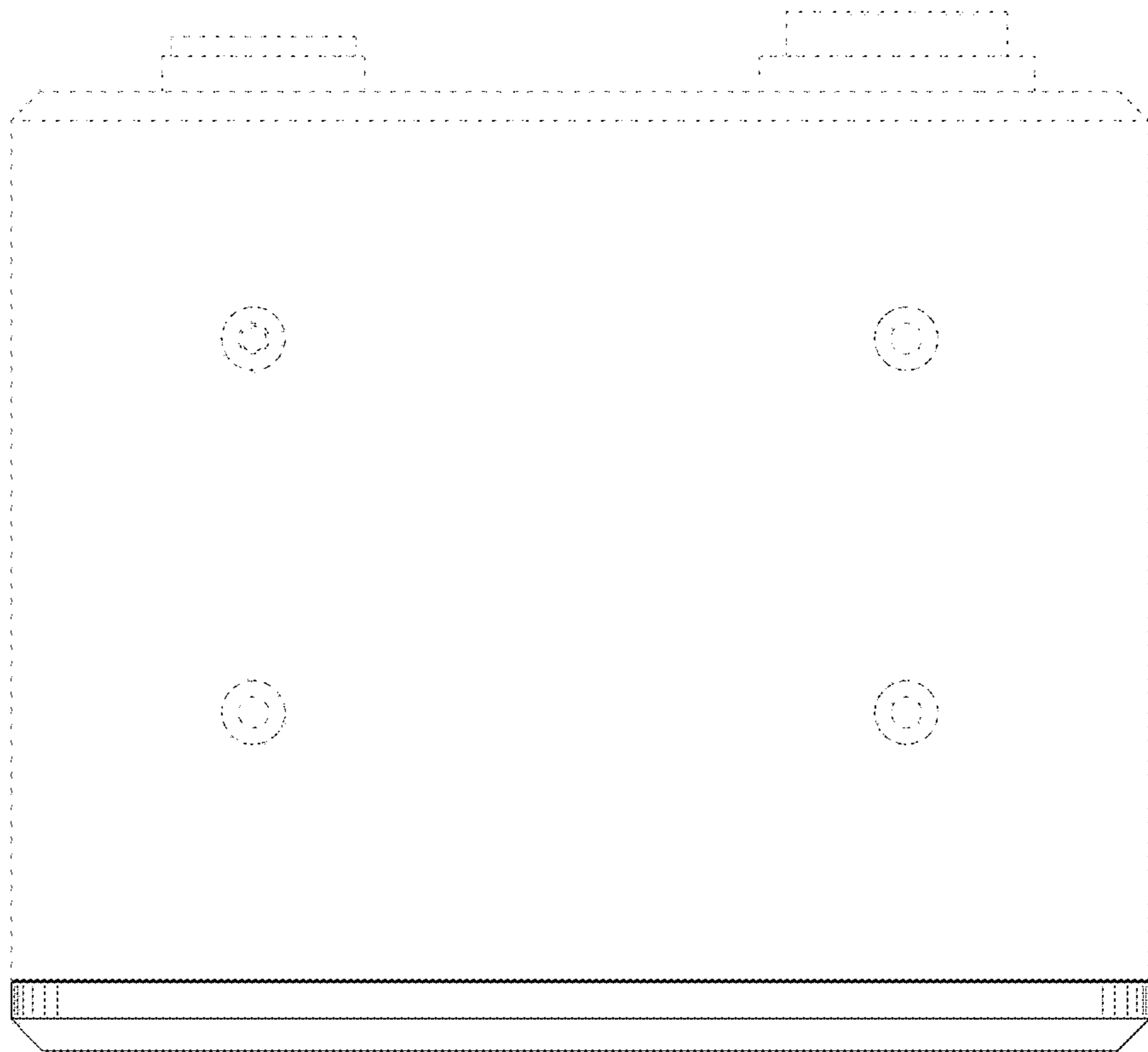


FIG. 6

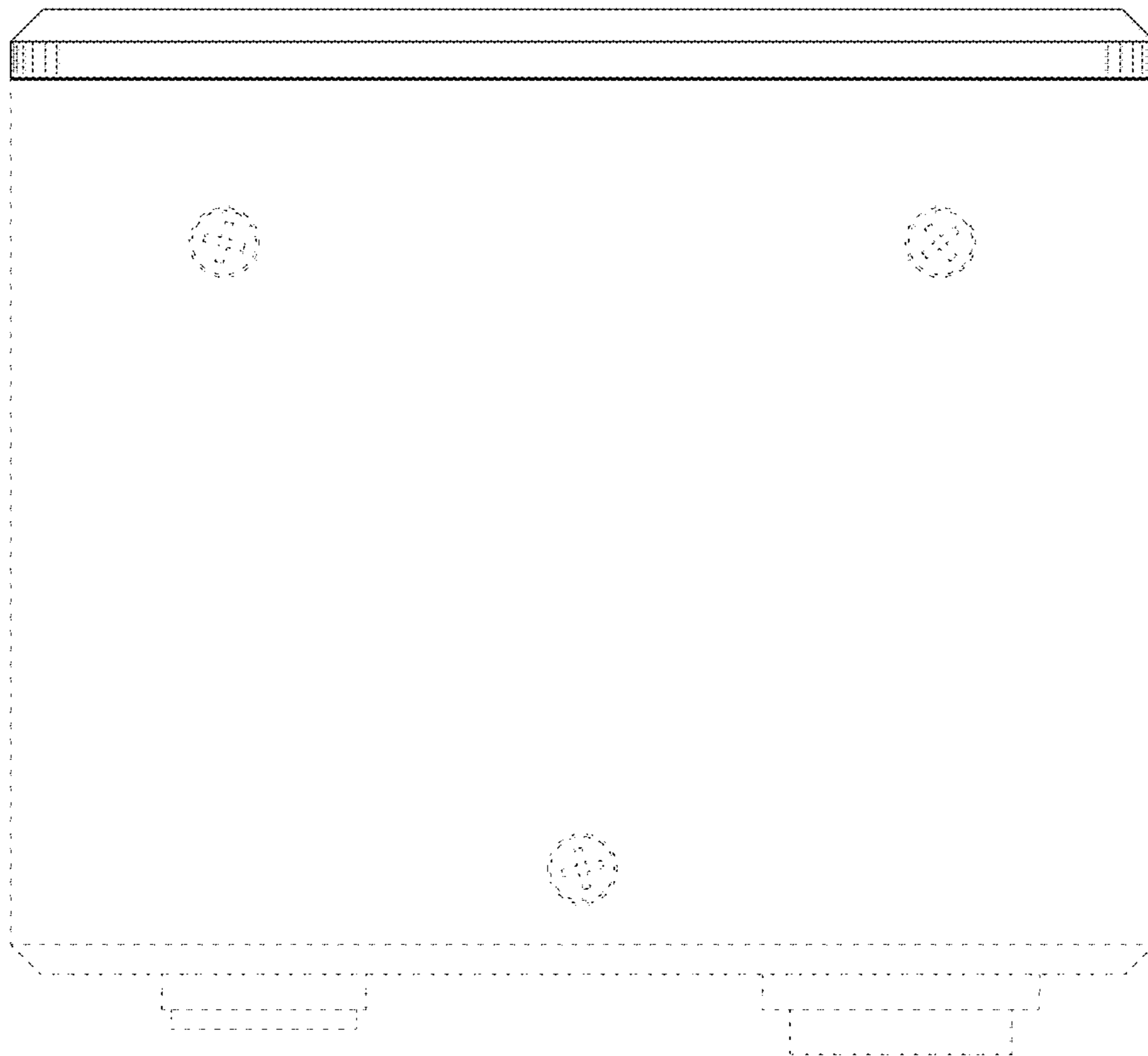


FIG. 7