



US00D855563S

(12) **United States Design Patent** (10) **Patent No.:** **US D855,563 S**
Brennan et al. (45) **Date of Patent:** **** Aug. 6, 2019**

(54) **RECHARGING STAND FOR A MEDIA PLAYER**

(71) Applicant: **Ninety7, Inc.**, Wheaton, IL (US)

(72) Inventors: **Kevin Brennan**, Wheaton, IL (US);
Mike Prstojevich, Wheaton, IL (US)

(73) Assignee: **Ninety7, Inc.**, Wheaton, IL (US)

(**) Term: **15 Years**

(21) Appl. No.: **29/618,322**

(22) Filed: **Sep. 20, 2017**

(51) **LOC (12) Cl.** **13-02**

(52) **U.S. Cl.**
USPC **D13/108**

(58) **Field of Classification Search**
USPC D13/107-110, 118-119, 184, 199;
D14/251, 253, 432, 434
CPC Y02E 60/12; Y02T 90/14; Y02T 90/122;
Y02T 90/128; Y02T 90/163; H02J 7/025;
H02J 7/0042; H02J 7/0044; H02J 7/0045;
H02J 7/0003; H01F 38/14; H01R
13/6675; H01M 2/1022; H01M 2/1055;
H01M 10/44; H01M 10/46; H01M
10/425; B60L 11/182

See application file for complete search history.

(56) **References Cited**

U.S. PATENT DOCUMENTS

D300,678 S *	4/1989	Barrault	D13/108
D471,578 S *	3/2003	Okuley	D13/108
D475,417 S *	6/2003	Wintersteiger	D14/432
D476,376 S *	6/2003	Wintersteiger	D14/432
D508,458 S *	8/2005	Solland	D13/108
D516,025 S *	2/2006	Quinn	D13/108
D524,282 S *	7/2006	Beasley	D13/108
D537,409 S *	2/2007	Suzuki	D13/108
D558,209 S *	12/2007	Ikeda	D14/434
D585,898 S *	2/2009	Skurdal	D14/434

D627,718 S *	11/2010	Houghton	D13/108
D717,244 S *	11/2014	Reishus	D13/108
D735,133 S *	7/2015	Reishus	D13/108
D740,750 S *	10/2015	Mayden	D13/108
D749,504 S *	2/2016	Jeong	D13/108
D774,455 S *	12/2016	Kim	D13/108
D784,259 S *	4/2017	Huang	D13/108
D784,978 S *	4/2017	Hobbs	D14/253
D794,557 S *	8/2017	Kim	D13/108
D796,433 S *	9/2017	Langhammer	D13/108
D800,060 S *	10/2017	Solland	D13/108

(Continued)

OTHER PUBLICATIONS

Battery Boot Advertisement, "Announcing BatteryBoot™ for Google Home," obtained from website <https://www.batteryboot.us/> on Sep. 25, 2017.

Primary Examiner — Rosemary K Tarcaza
(74) *Attorney, Agent, or Firm* — Neal, Gerber & Eisenberg LLP

(57) **CLAIM**

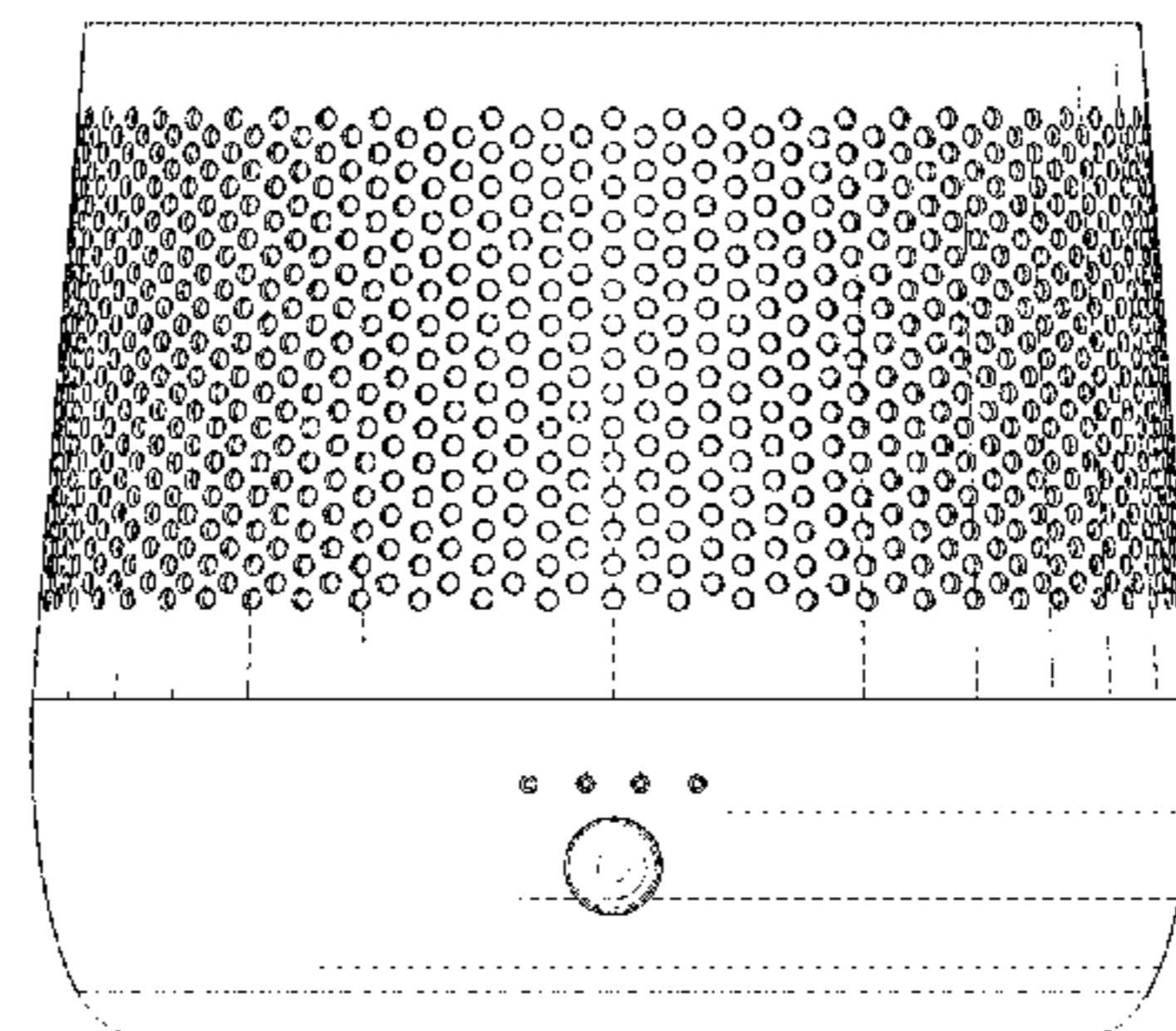
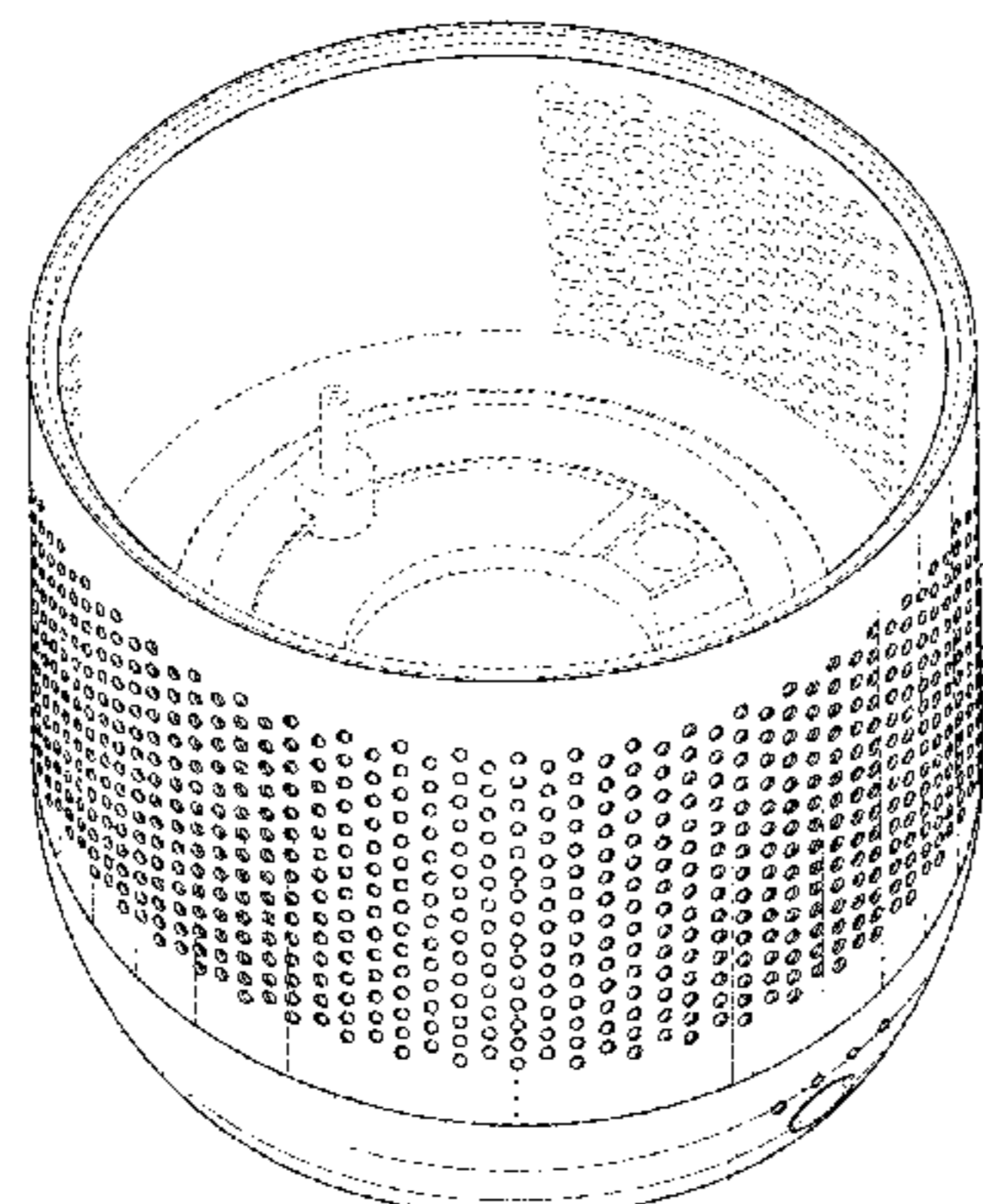
The ornamental design for a recharging stand for a media player, as shown and described.

DESCRIPTION

FIG. 1 is a top perspective view of a recharging stand for a media player, showing our new design; FIG. 2 is a front view of the recharging stand for a media player; FIG. 3 is a top view of the recharging stand for a media player; and, FIG. 4 is a bottom view of the recharging stand for a media player.

The evenly dashed broken lines shown in the drawings are included for the purpose of illustrating portions of the recharging stand for a media player which form no part of the claimed design. The dash-dot broken lines define the bounds of the claimed design and form no part thereof.

1 Claim, 4 Drawing Sheets



(56)

References Cited

U.S. PATENT DOCUMENTS

D809,457	S	*	2/2018	Yamazaki	D13/110
D809,458	S	*	2/2018	Yamazaki	D13/110
D810,015	S	*	2/2018	Carreon	D13/108
D817,268	S	*	5/2018	Symons	D13/108
D823,241	S	*	7/2018	Zhang	D13/103
2008/0226096	A1		9/2008	Waddell et al.		
2014/0321686	A1		10/2014	Wegener		
2017/0187206	A1		6/2017	Lafountain et al.		
2017/0215004	A1		7/2017	Wengreen		

* cited by examiner

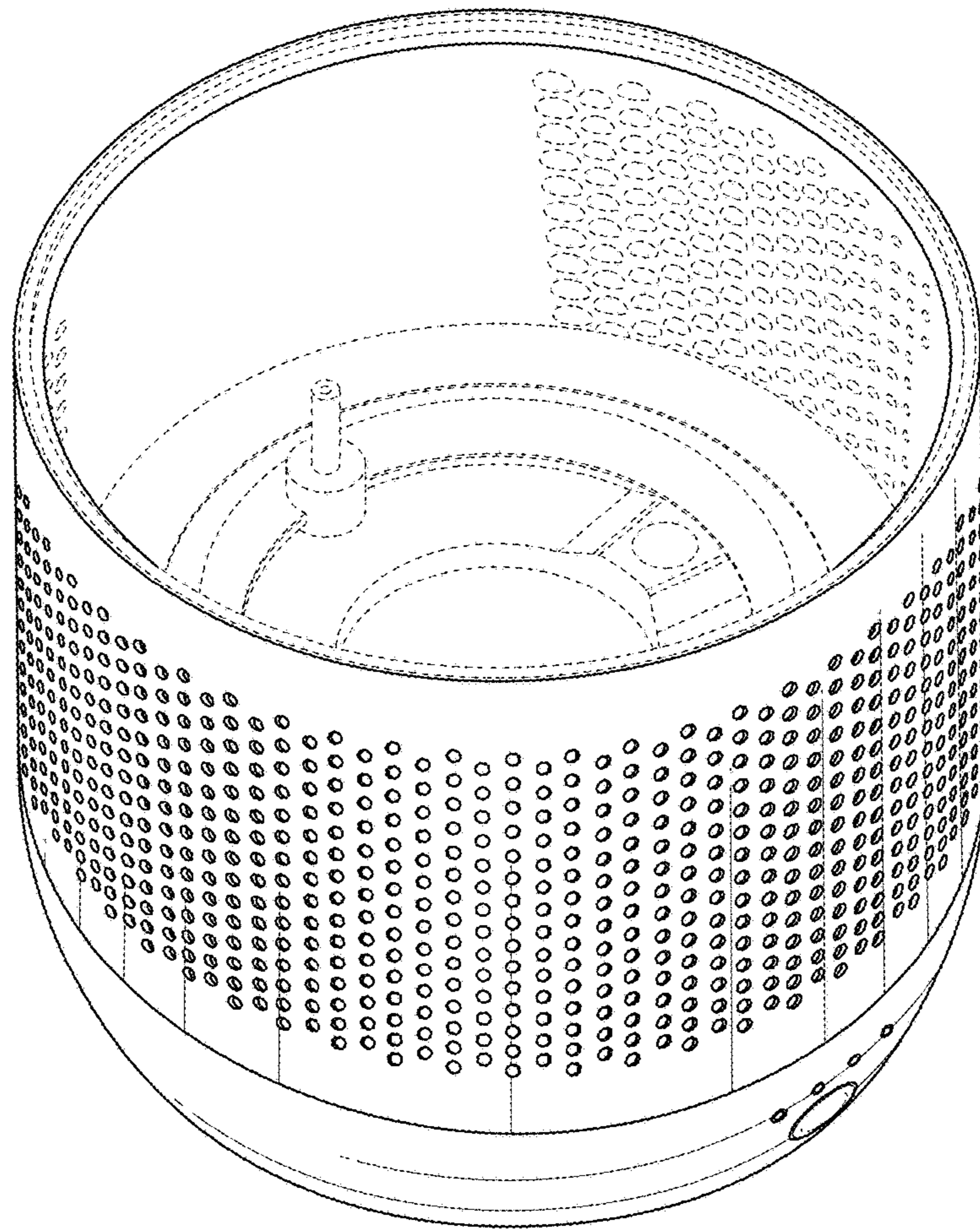


FIG. 1

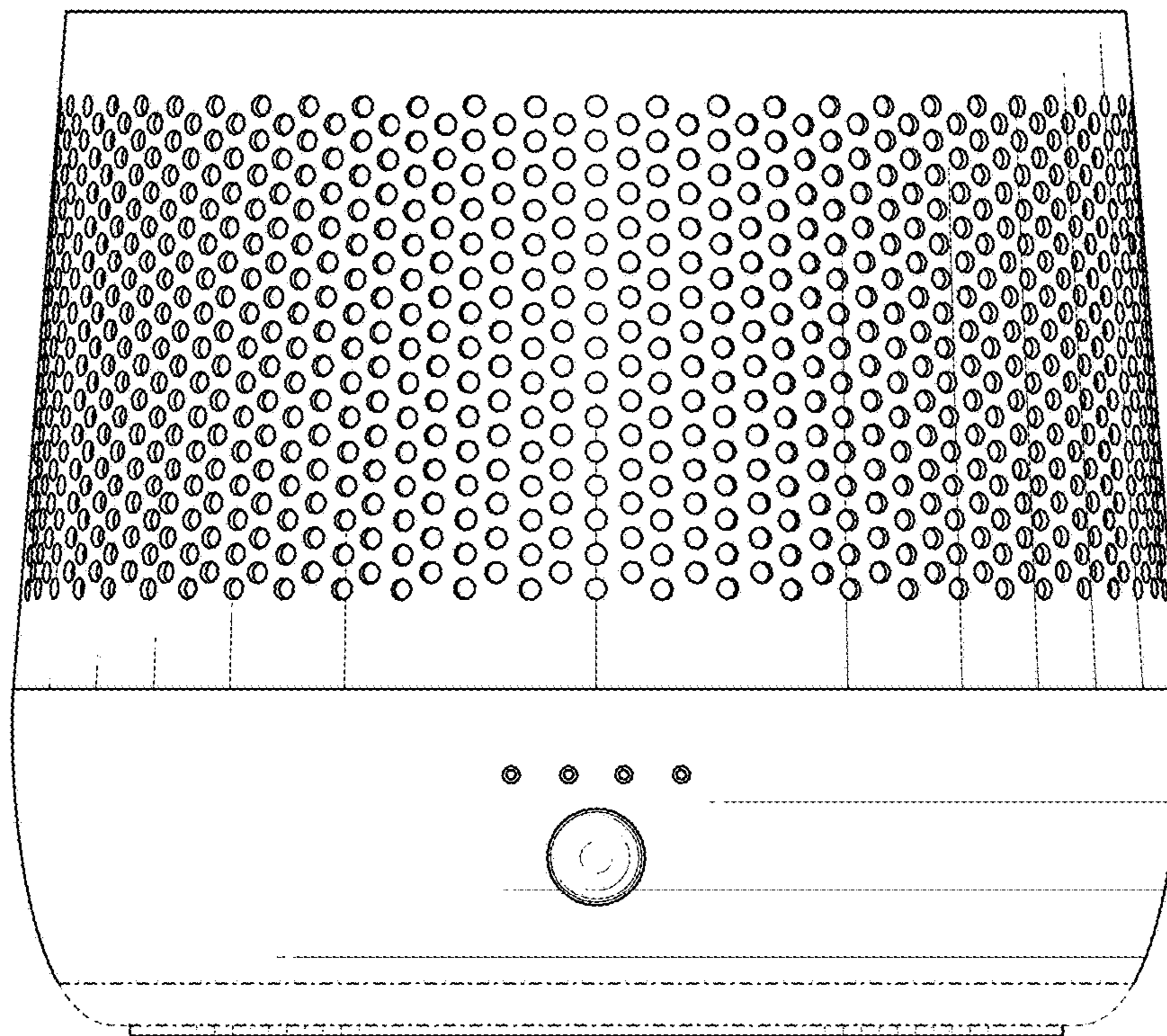


FIG. 2

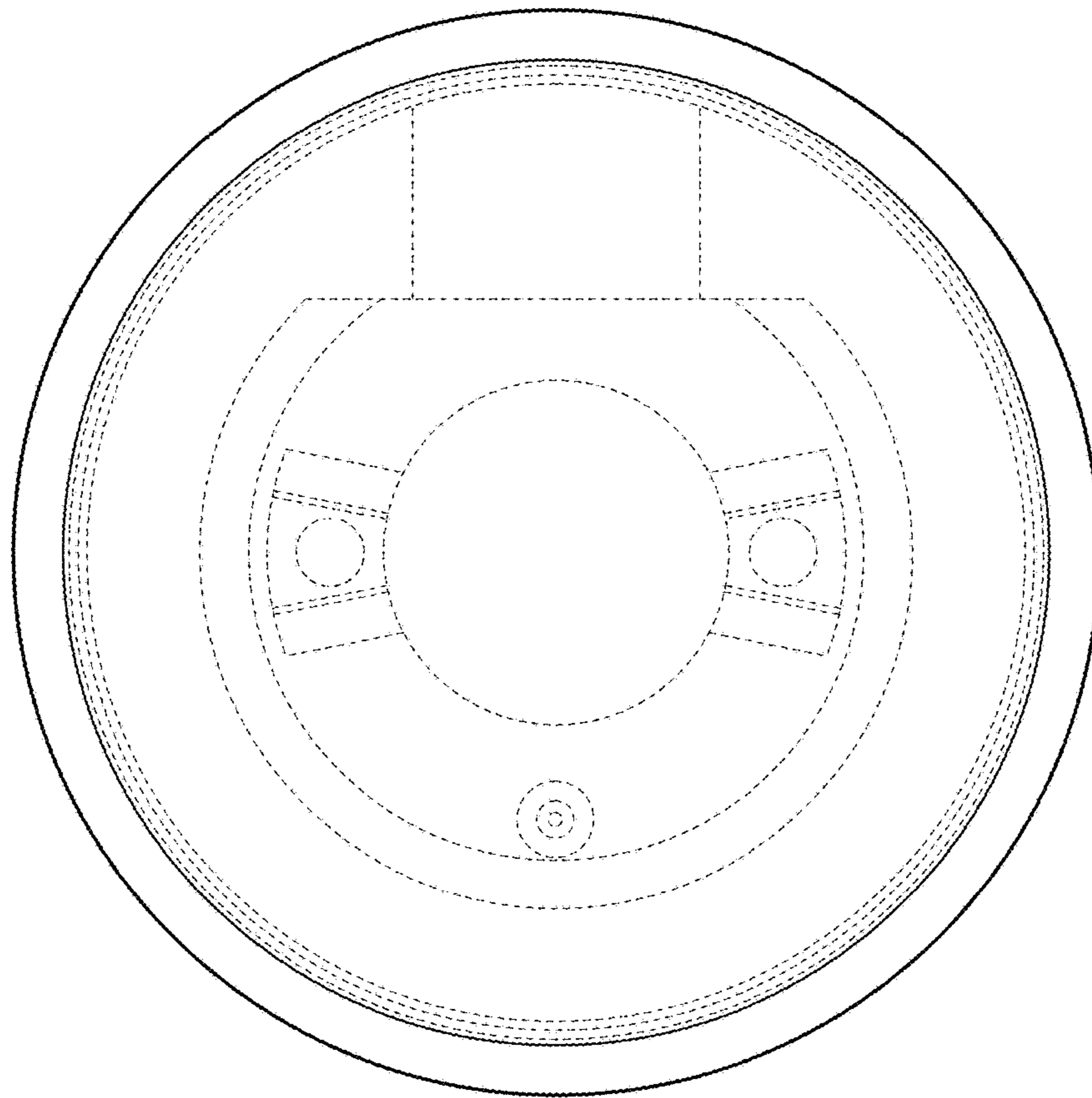


FIG. 3

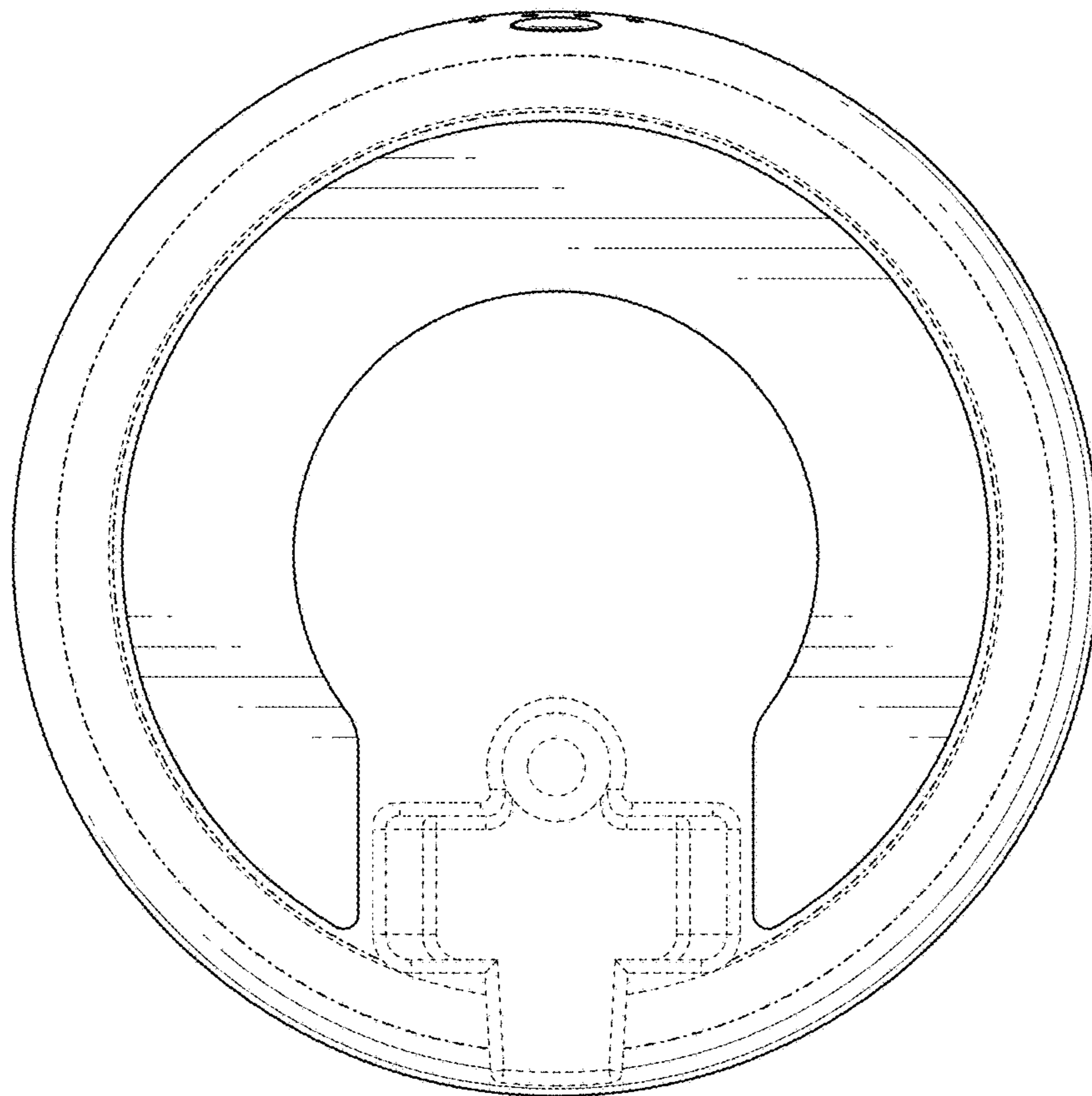


FIG. 4