



US00D855562S

(12) **United States Design Patent** (10) **Patent No.:** **US D855,562 S**  
**Jansen et al.** (45) **Date of Patent:** **\*\* Aug. 6, 2019**

(54) **BATTERY MODULE**

(71) Applicant: **GENERAL ELECTRIC COMPANY**,  
Schenectady, NY (US)

(72) Inventors: **Patrick Lee Jansen**, Schenectady, NY  
(US); **Neil Bradley**, Erie, PA (US);  
**Gregory Badders**, Erie, PA (US);  
**Michael Jay Grutkowski**, Erie, PA  
(US)

(73) Assignee: **GE Global Sourcing LLC**, Norwalk,  
CT (US)

8,852,781 B2 10/2014 Merriman et al.  
D727,254 S \* 4/2015 Kinoshita ..... D13/103  
D757,645 S \* 5/2016 Oliver ..... D13/103  
D762,566 S \* 8/2016 Tea ..... D13/103  
D784,920 S \* 4/2017 Walker ..... D13/103  
D794,554 S \* 8/2017 Chang ..... D13/103  
D797,660 S \* 9/2017 Oliver ..... D13/103  
2006/0281002 A1 \* 12/2006 Aoki ..... H01M 2/0215  
429/99  
2008/0241675 A1 \* 10/2008 Enari ..... H01M 2/105  
429/179  
2010/0209743 A1 \* 8/2010 Koh ..... H01M 2/0404  
429/7

(Continued)

(\*\*) Term: **15 Years**

(21) Appl. No.: **29/595,064**

(22) Filed: **Feb. 24, 2017**

(51) **LOC (12) Cl.** ..... **13-02**

(52) **U.S. Cl.**  
USPC ..... **D13/103**

(58) **Field of Classification Search**  
USPC ..... D13/102–108, 110, 118–119, 184, 199  
CPC ..... Y02E 60/12; Y02E 60/122; Y02E 60/124;  
Y02E 60/50; H01M 2/02; H01M 2/022;  
H01M 2/0202; H01M 2/0207; H01M  
2/0212; H01M 2/1061; H01M 2/1022;  
H01M 2/1055; H01M 2/1066; H01M  
2/105; H01M 2/204; H01M 10/4257;  
H01M 10/0436; H01M 10/48  
See application file for complete search history.

(56) **References Cited**

U.S. PATENT DOCUMENTS

D419,131 S \* 1/2000 Andrews ..... D13/103  
8,034,476 B2 10/2011 Ha et al.  
8,257,855 B2 9/2012 Ijaz et al.  
8,409,744 B2 4/2013 Ijaz et al.  
D682,778 S \* 5/2013 Baumgartner ..... D13/103

OTHER PUBLICATIONS

Automotive Energy Supply Corporation, website [http://www.eco-aesc-lb.com/en/product/liion\\_hev/](http://www.eco-aesc-lb.com/en/product/liion_hev/) (date uncertain).

(Continued)

*Primary Examiner* — Jennifer Rivard  
*Assistant Examiner* — Alison M Ofstun  
(74) *Attorney, Agent, or Firm* — McCoy Russell LLP

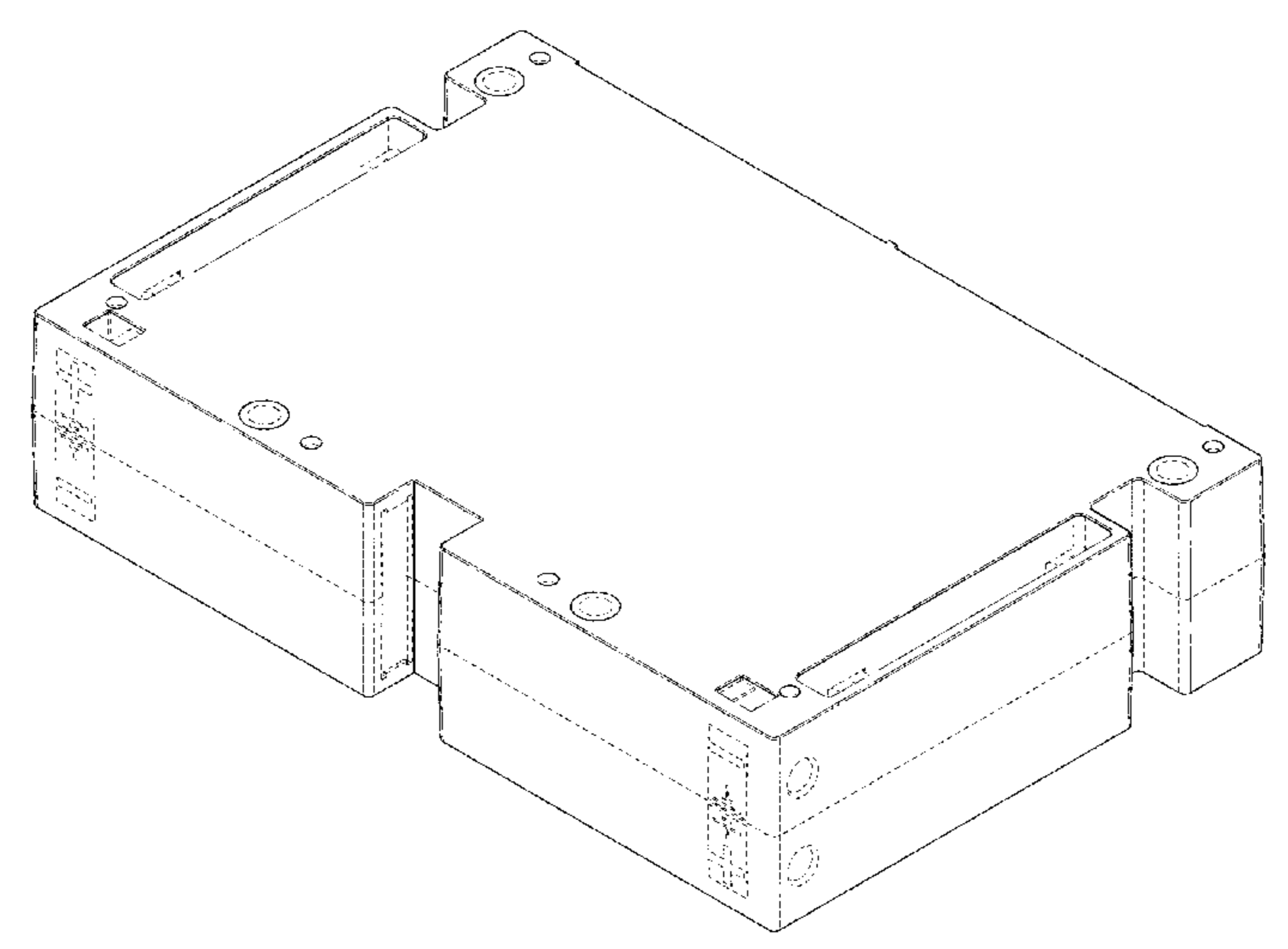
(57) **CLAIM**

The ornamental design for a battery module, as shown and described.

**DESCRIPTION**

FIG. 1 is a perspective view of a battery module depicting our new design;  
FIG. 2 is a top plan view thereof;  
FIG. 3 is a bottom plan view thereof;  
FIG. 4 is a front view thereof;  
FIG. 5 is a rear view thereof;  
FIG. 6 is a side view thereof; and,  
FIG. 7 is an opposite side view thereof.  
The broken lines present in the drawings illustrate portions of the article which form no part of the claimed design.

**1 Claim, 3 Drawing Sheets**



(56)

**References Cited**

U.S. PATENT DOCUMENTS

2014/0120390 A1 5/2014 Merriman et al.  
2014/0174150 A1 6/2014 Yajima  
2015/0013150 A1 1/2015 Kitagawa et al.  
2015/0364727 A1\* 12/2015 Kim ..... H01M 2/02  
429/94  
2017/0170438 A1 6/2017 Jansen et al.

OTHER PUBLICATIONS

Anderson, D.L., "Lowering costs of lithium-ion batteries for EV power trains," In Sustainable Manufacturing, Fabrication and Manufactures Association, International, Retrieved from Internet URL: <https://www.fmanet.org/blog/2010/10/01/lowering-costs-lithium-ion-batteries-ev-power-trains>, on Aug. 29, 2018, pp. 1-17 (Oct. 1, 2010).  
"Ather Energy," Retrieved from Internet URL: <https://fwww.atherenergy.com>, pp. 1-15 (Aug. 29, 2018).

Berman, B., "The Hybrid Car Battery: A Definitive Guide," Hybridcars, Retrieved from Internet URL: <https://www.hybridcars.com/hybrid-car-battery>, on Aug. 29, 2018, pp. 1-10 (Nov. 6, 2008).  
Crowe, P., "Spark is Named IIHS Top Safety Pick," Retrieved from Internet URL: <http://gm-volt.com/2013/12/26/spark-is-named-iihs-top-safety-pick/>, on Aug. 29, 2018, pp. 1-20 (Dec. 26).  
Ingram, A., "500 Mile Electric Cars? New Lithium-Air Tech Has Potential," Retrieved from Internet URL: [https://www.greencarreports.com/news/1071654\\_500-mile-electric-cars-new-lithium-air-tech-has-potential](https://www.greencarreports.com/news/1071654_500-mile-electric-cars-new-lithium-air-tech-has-potential), on pp. 1-5 (Jan. 12, 2012).  
"Johnson Controls' ie:3 concept car makes its European debut / Vehicle demonstrates innovation in seating, electronics, interiors and batteries (mit Bild)," Presseportal, Retrieved from Internet URL: <https://www.presseportal.de/pm/19526/2111317>, on Aug. 29, 2018, pp. 1-7 (Sep. 13, 2011).  
Tdillard., "Rare Look Inside a Tesla Model S Battery Pack," Insideevs, Retrieved from Internet URL: <https://insideevs.com/look-inside-a-tesla-model-s-battery-pac/>, on Aug. 29, 2018 pp. 1-9 (Sep. 23, 2014).

\* cited by examiner

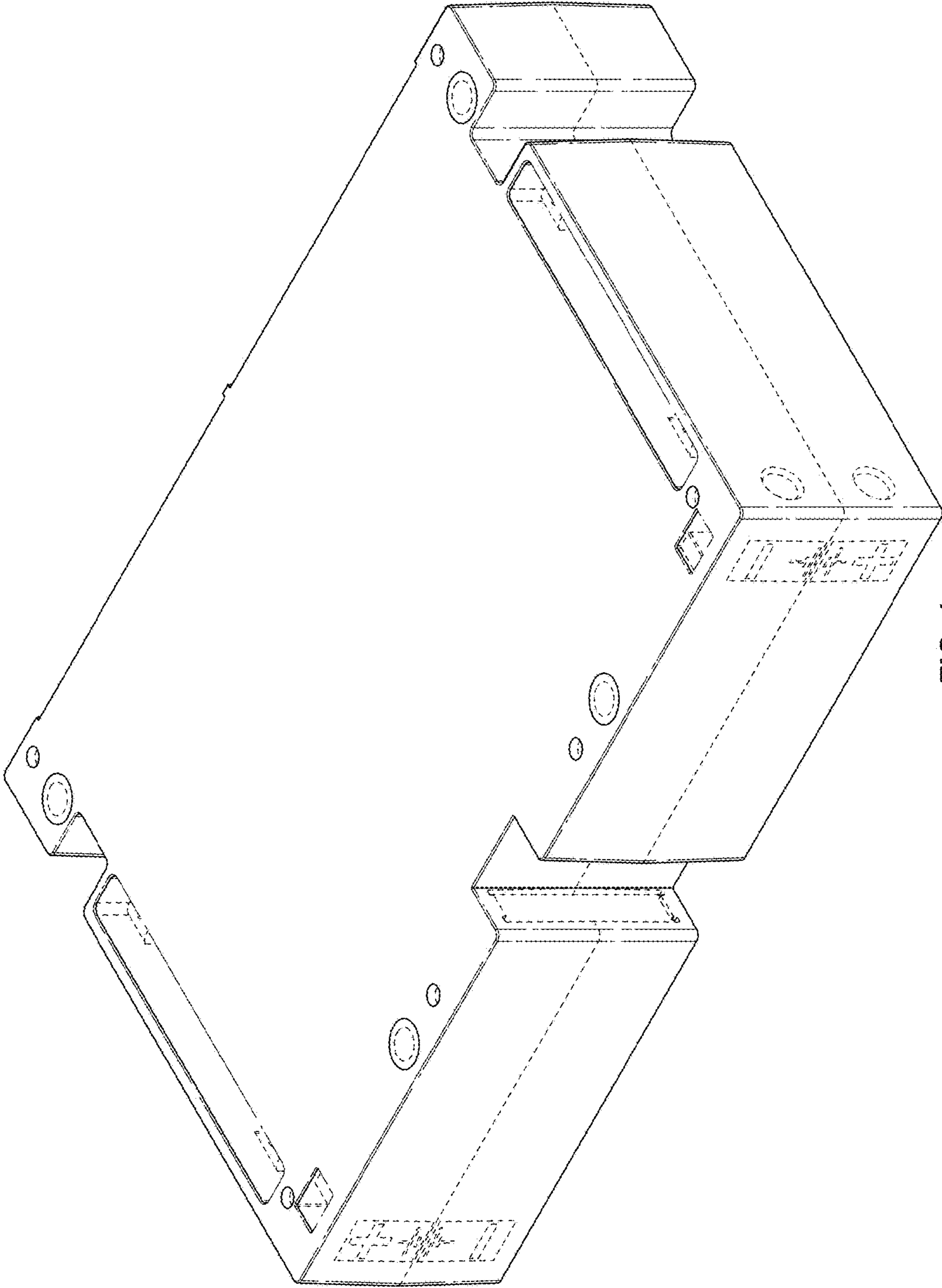


FIG. 1

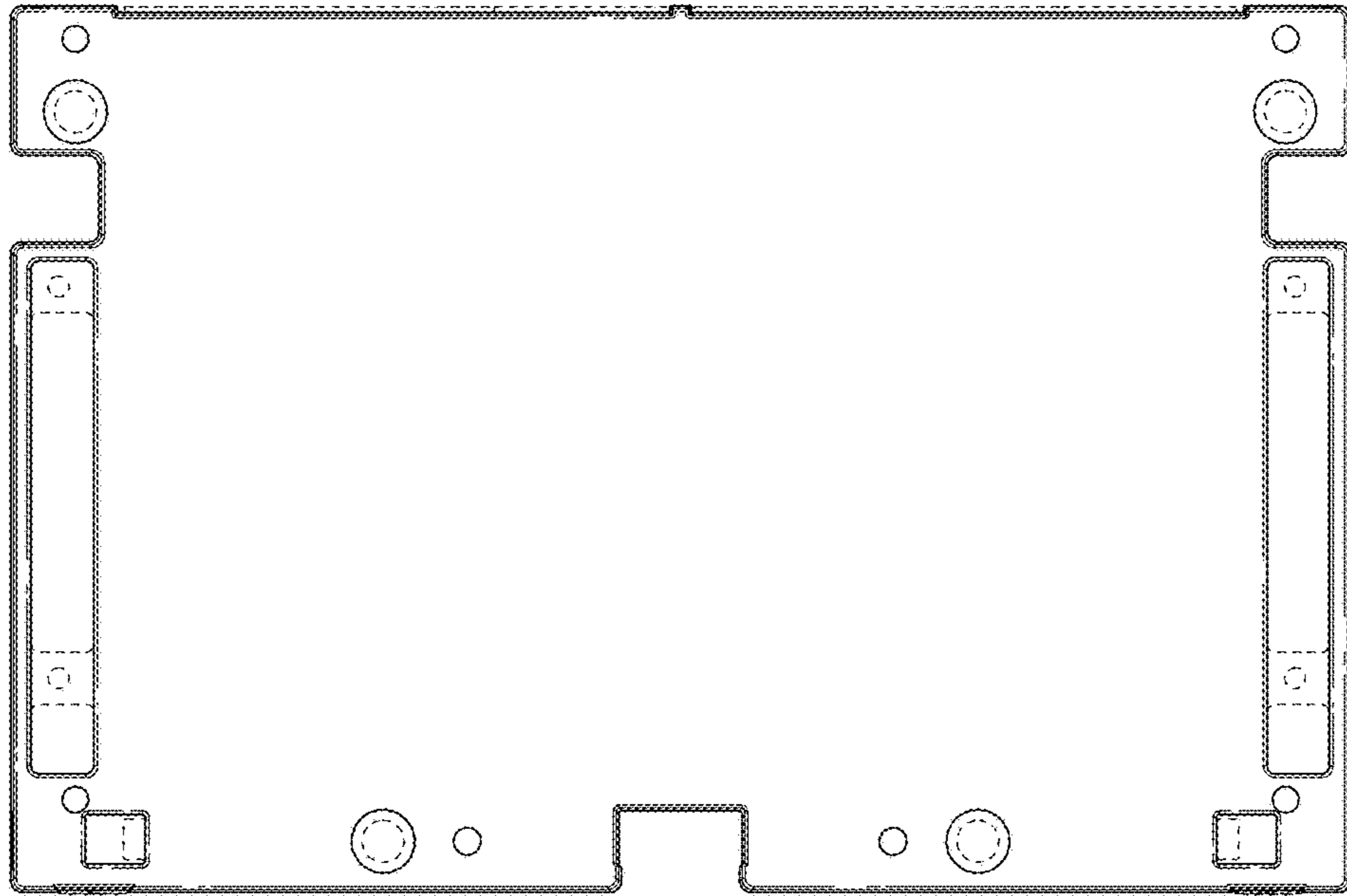


FIG. 2

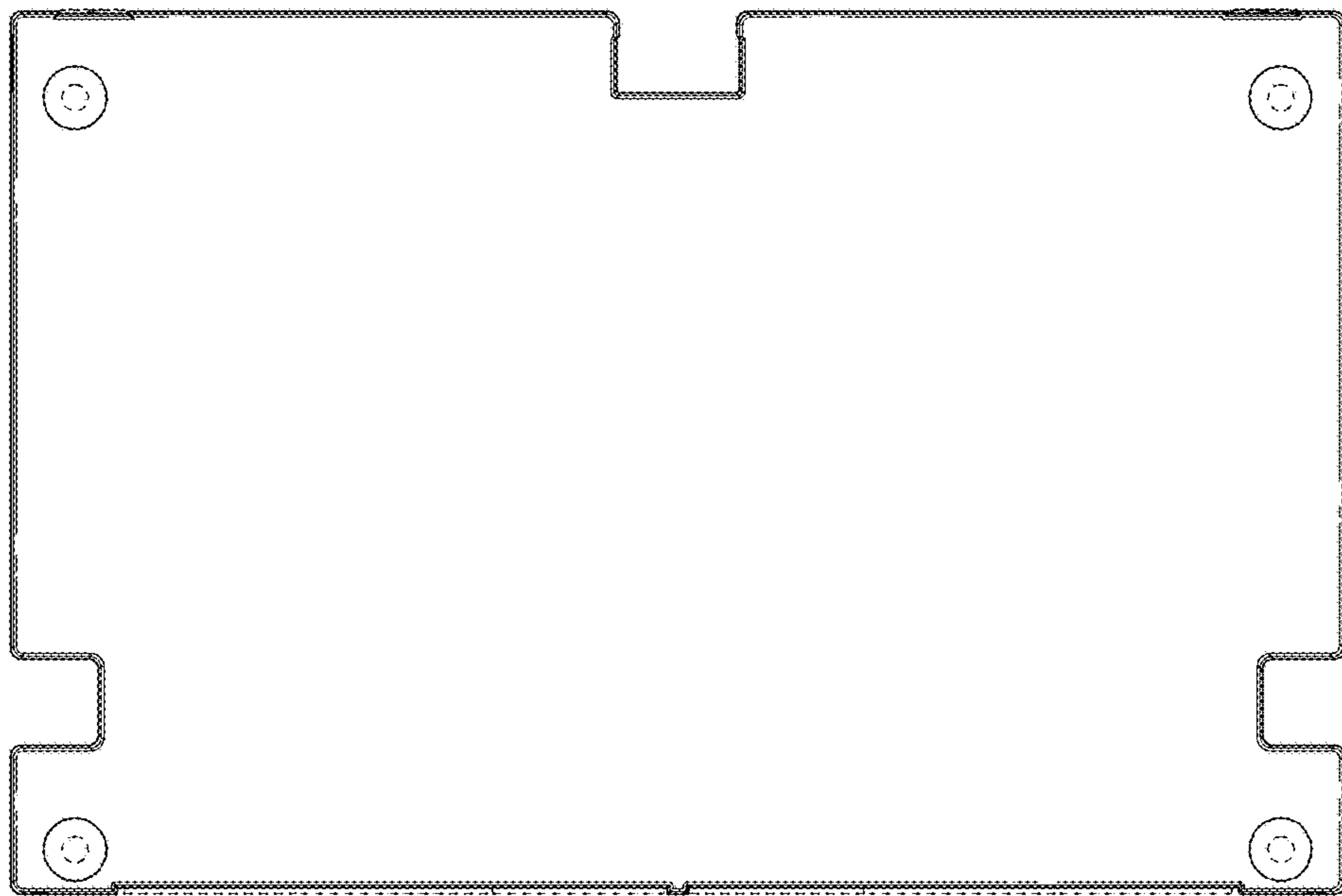


FIG. 3



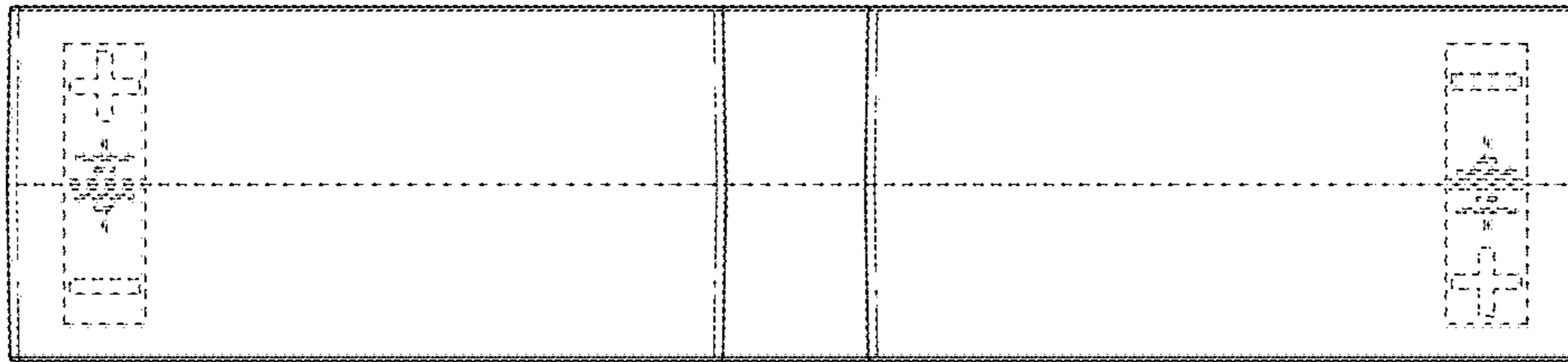


FIG. 4

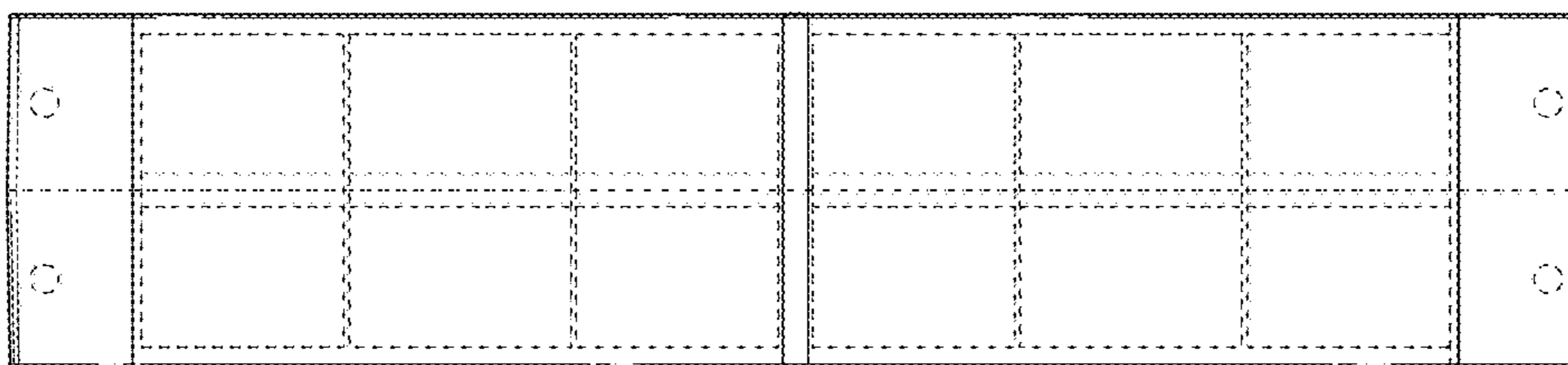


FIG. 5

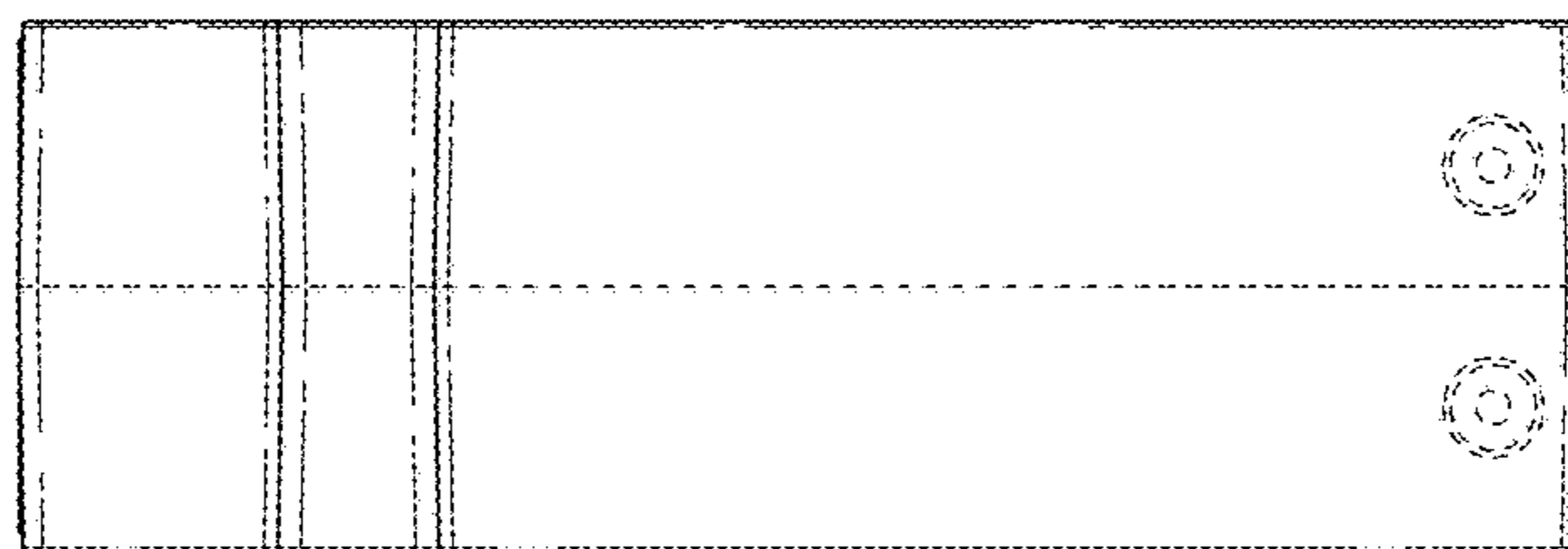


FIG. 6

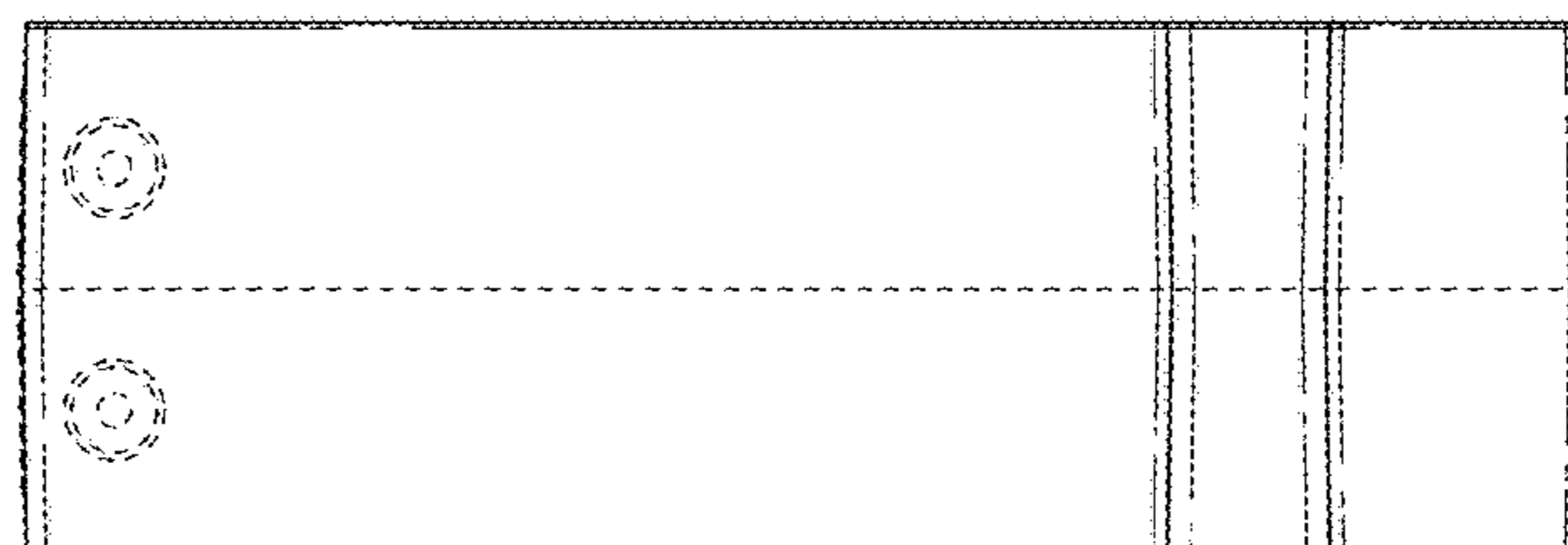


FIG. 7