



US00D85553S

(12) **United States Design Patent**
Chiang

(10) **Patent No.:** **US D855,553 S**

(45) **Date of Patent:** **** Aug. 6, 2019**

(54) **CARGO RESTRAINT FOR A VEHICLE**

(71) Applicant: **Chin-Fu Chiang**, Tainan (TW)

(72) Inventor: **Chin-Fu Chiang**, Tainan (TW)

(**) Term: **15 Years**

(21) Appl. No.: **29/605,158**

(22) Filed: **May 24, 2017**

(51) **LOC (12) Cl.** **12-16**

(52) **U.S. Cl.**
USPC **D12/426**

(58) **Field of Classification Search**
USPC D12/426, 400, 406, 415-420, 424, 425
CPC B63B 7/085; B63B 25/00; B60R 16/04
See application file for complete search history.

(56) **References Cited**

U.S. PATENT DOCUMENTS

D331,213 S *	11/1992	Weinstock	D12/426
D377,164 S *	1/1997	McPeck	D12/426
D434,369 S *	11/2000	Matthies	D12/426
D450,291 S *	11/2001	Wang	D12/426
D458,210 S *	6/2002	Kanczuzewski	B60P 7/15 D12/426

D546,757 S *	7/2007	Von Buren	D12/426
D566,649 S *	4/2008	Panasewicz	D12/426
D738,809 S *	9/2015	Thom	D12/426
D756,291 S *	5/2016	Masanek, Jr.	D12/426
D796,422 S *	9/2017	Hodges	D12/426

* cited by examiner

Primary Examiner — Katrina A Betton

(74) *Attorney, Agent, or Firm* — DLA Piper LLP (US)

(57) **CLAIM**

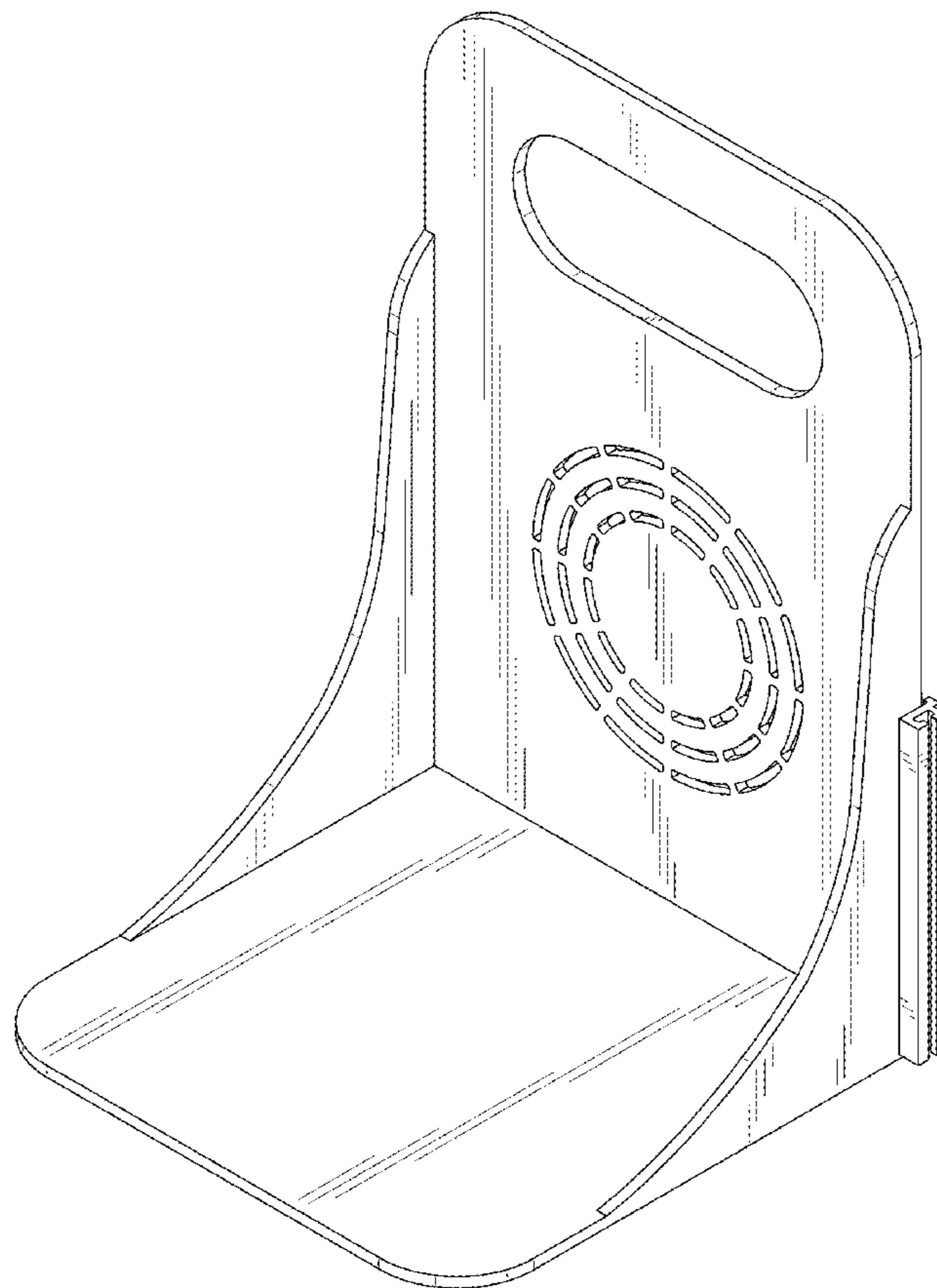
The ornamental design for a cargo restraint for a vehicle, as shown and described.

DESCRIPTION

FIG. 1 is a perspective view of a cargo restraint for a vehicle showing my new design;
FIG. 2 is a front elevational view thereof;
FIG. 3 is a rear elevational view thereof;
FIG. 4 is a left side elevational view thereof;
FIG. 5 is a right side elevational view thereof;
FIG. 6 is a top plan view thereof; and,
FIG. 7 is a bottom plan view thereof.

The broken lines depict portions of a cargo restraint for a vehicle in which the design is embodied that form no part of the claimed design.

1 Claim, 4 Drawing Sheets



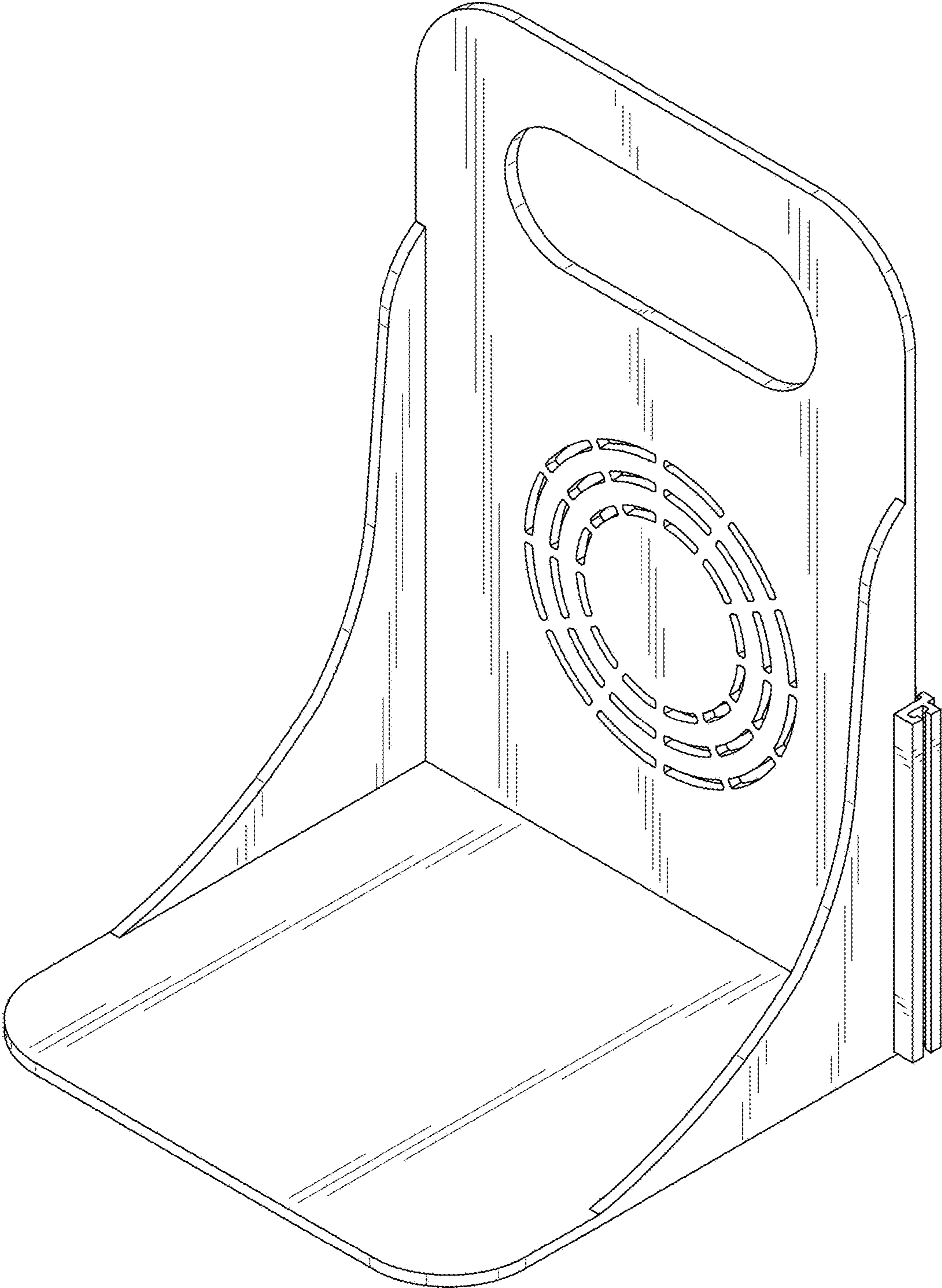


FIG.1

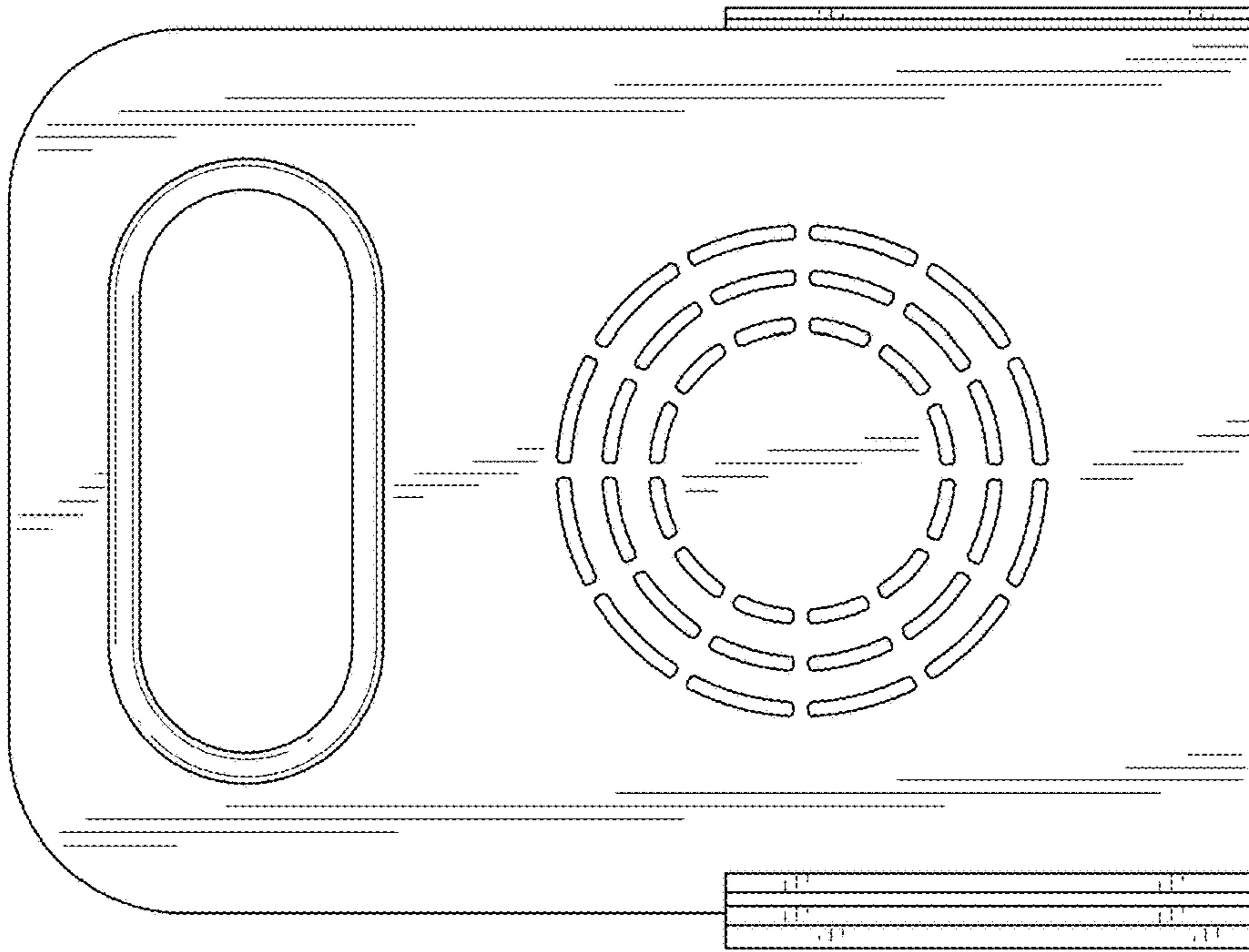


FIG.3

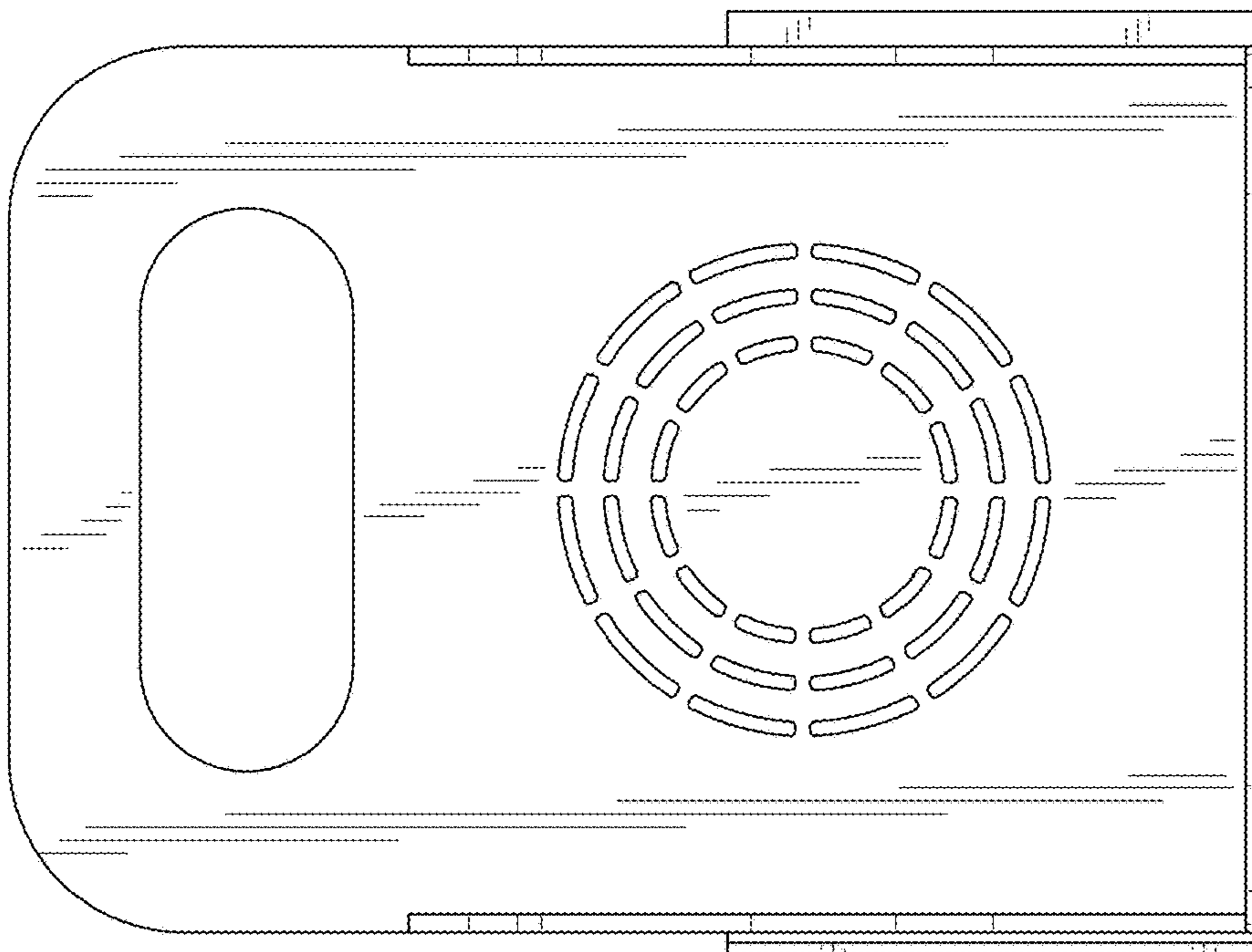


FIG.2

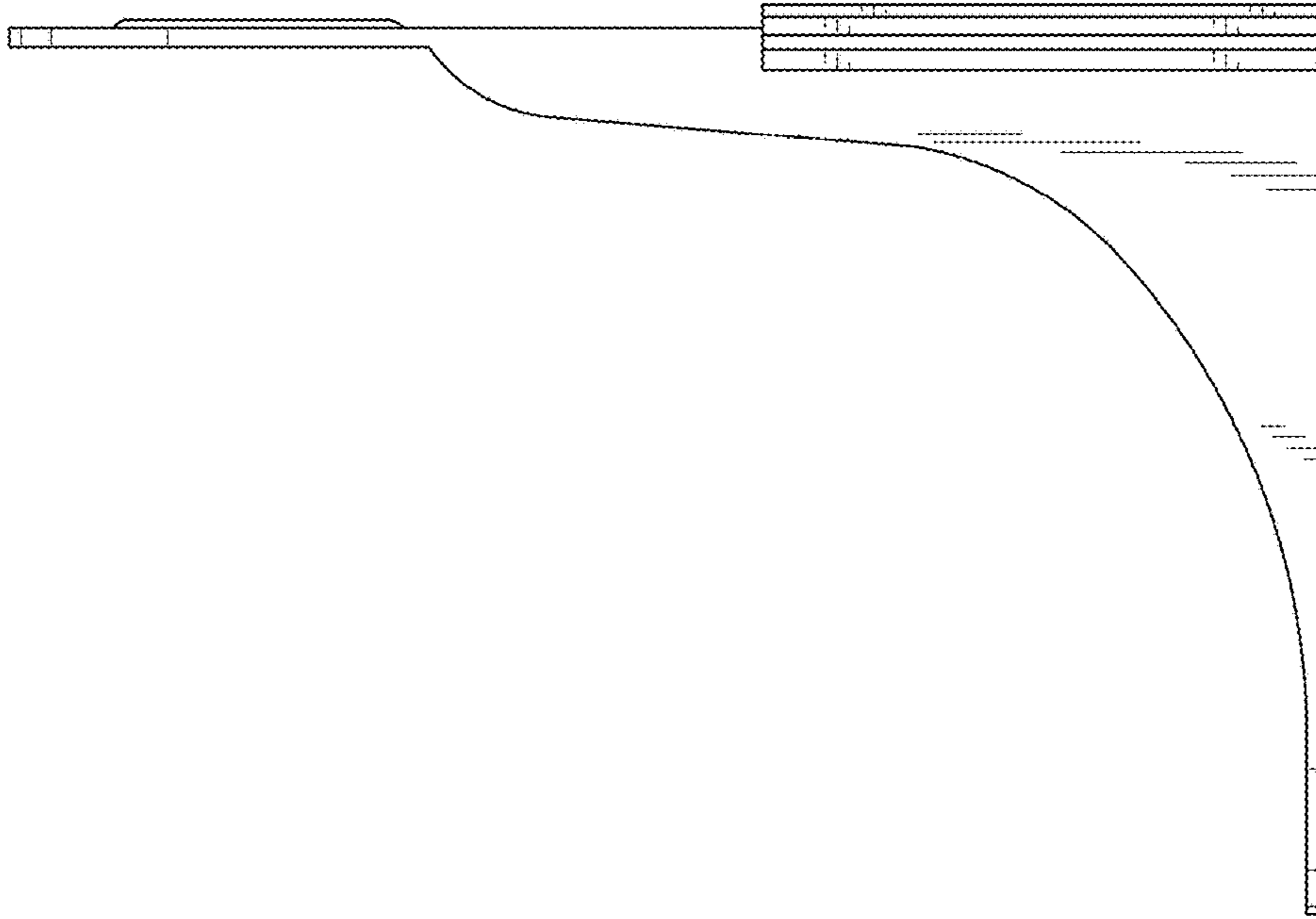


FIG. 5

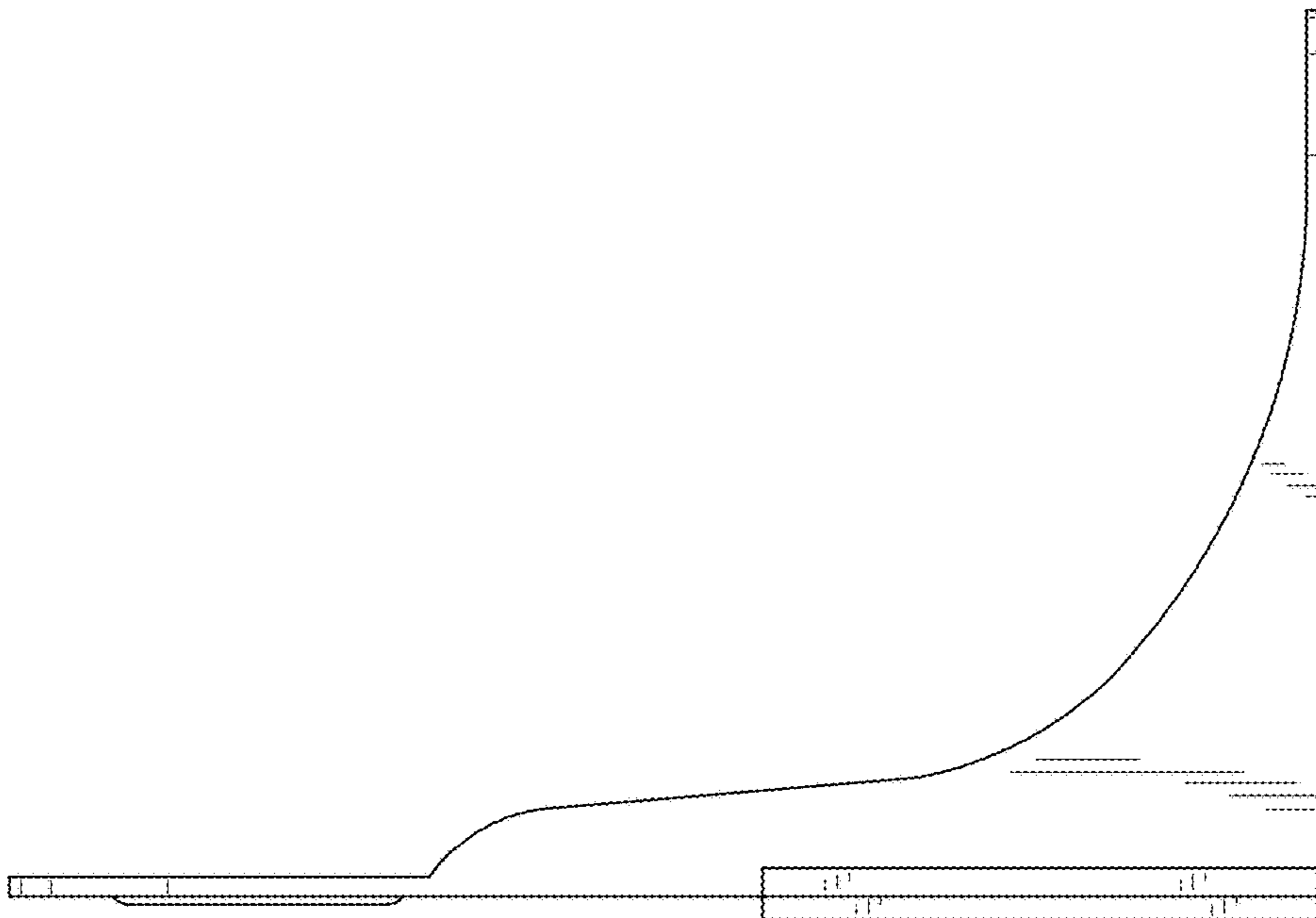


FIG. 4

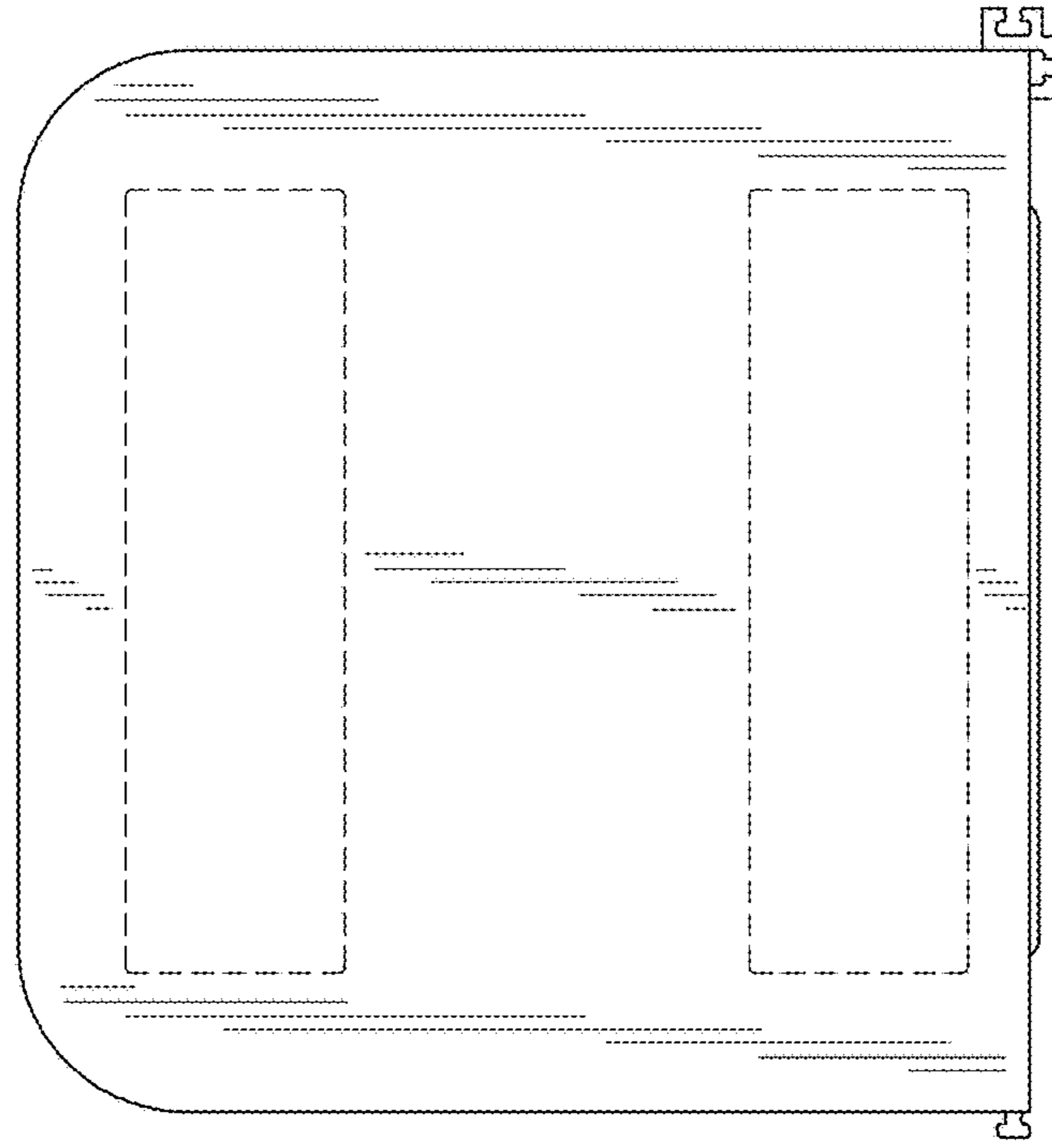


FIG.7

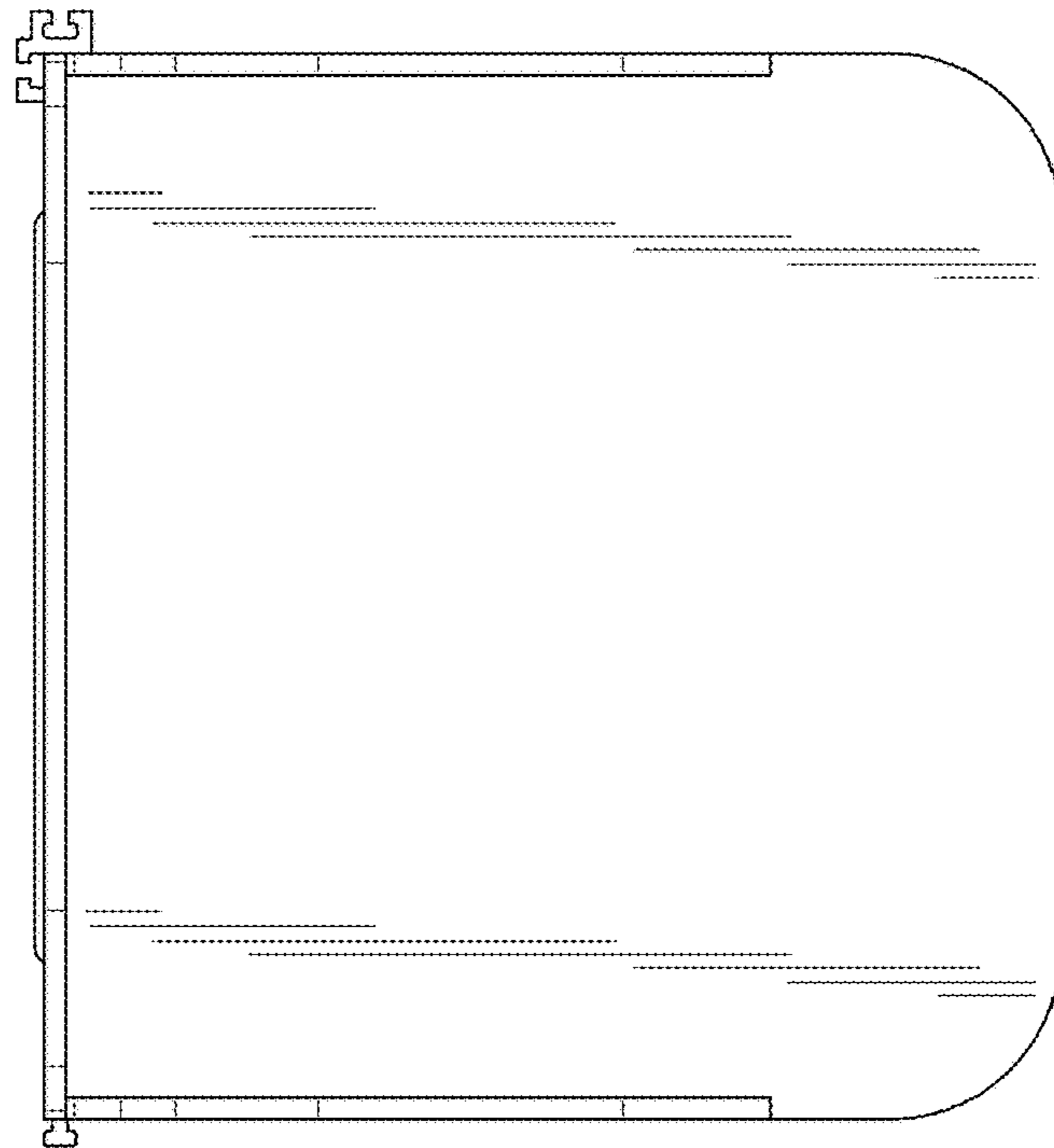


FIG.6