



US00D85552S

(12) **United States Design Patent**  
**Chen et al.**

(10) **Patent No.:** **US D855,552 S**  
(45) **Date of Patent:** **\*\* Aug. 6, 2019**

(54) **SAFETY VEHICLE CELL PHONE HOLDER**

(71) Applicants: **Wen Chen**, Guangdong (CN); **Feng Yu**,  
Guangdong (CN)

(72) Inventors: **Wen Chen**, Guangdong (CN); **Feng Yu**,  
Guangdong (CN)

(\*\*) Term: **15 Years**

(21) Appl. No.: **29/614,072**

(22) Filed: **Aug. 16, 2017**

(30) **Foreign Application Priority Data**

Feb. 17, 2017 (CN) ..... 2017 3 0042202  
Jun. 26, 2017 (CN) ..... 2017 3 0269283

(51) **LOC (12) Cl.** ..... **12-16**

(52) **U.S. Cl.**  
USPC ..... **D12/415**

(58) **Field of Classification Search**  
USPC ..... D12/415-420, 400, 191, 423; D14/253;  
D6/513, 514, 611, 553, 556, 559  
CPC ..... B60R 11/02; B60R 2011/0005  
See application file for complete search history.

(56) **References Cited**

**U.S. PATENT DOCUMENTS**

D603,322 S \* 11/2009 Nicieja ..... D12/415  
D690,707 S \* 10/2013 Minn ..... B60R 11/0241  
D14/447  
D767,556 S \* 9/2016 Lee ..... D12/415  
D796,421 S \* 9/2017 Huang ..... D12/415

D818,421 S \* 5/2018 Hu ..... D12/415  
D825,545 S \* 8/2018 McSweyn ..... D14/253  
D831,665 S \* 10/2018 Yao ..... D14/447  
D831,666 S \* 10/2018 Yao ..... D14/447  
D833,369 S \* 11/2018 Lan ..... D12/415  
D843,308 S \* 3/2019 Jung ..... D12/415

\* cited by examiner

*Primary Examiner* — Katrina A Betton

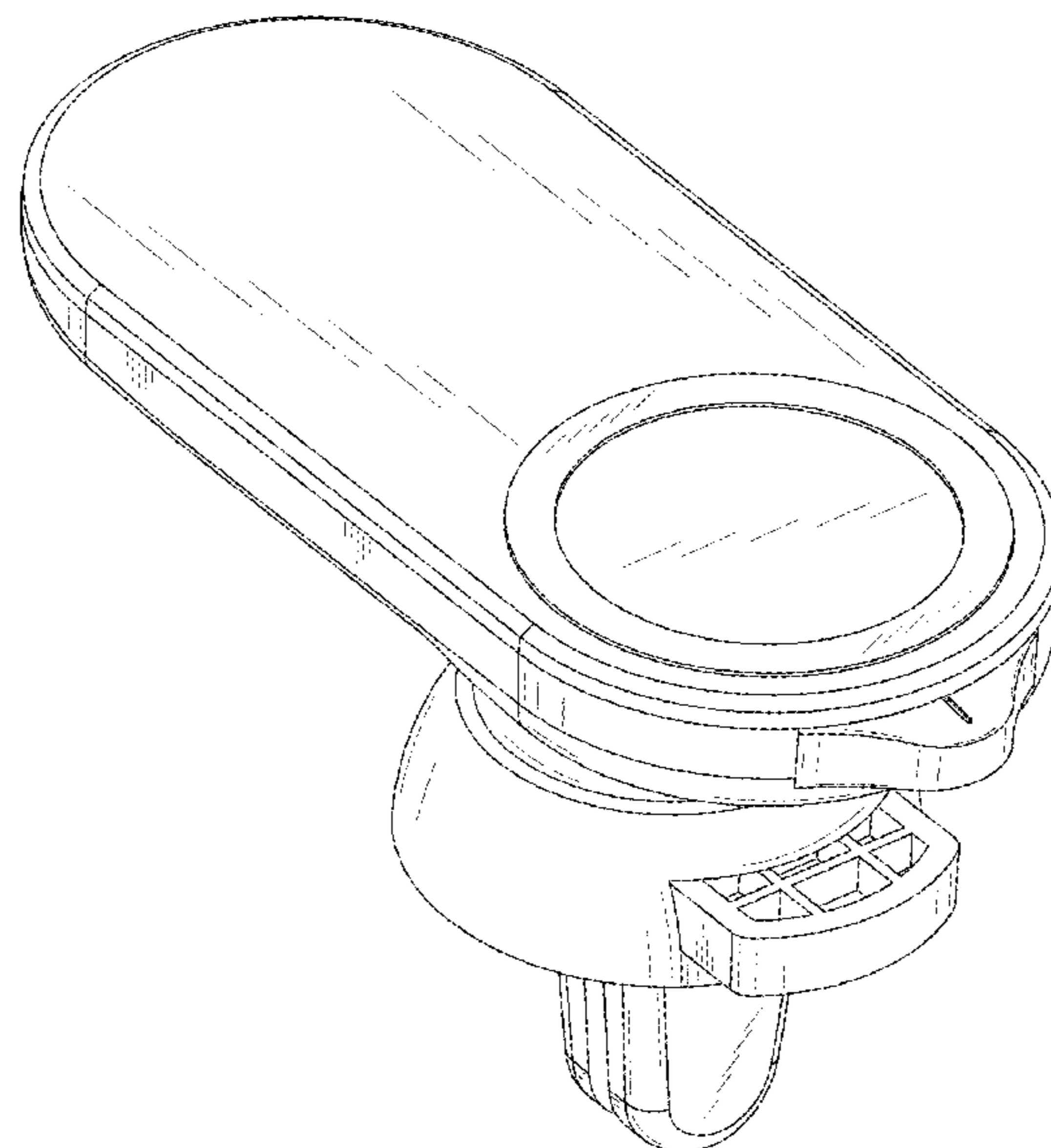
(57) **CLAIM**

The ornamental design for a safety vehicle cell phone holder,  
as shown and described.

**DESCRIPTION**

FIG. 1 is a front elevational view of a first embodiment of a safety vehicle cell phone holder showing our new design; FIG. 2 is a rear elevational view thereof; FIG. 3 is a left side view thereof; FIG. 4 is a right side view thereof; FIG. 5 is a top plan view thereof; FIG. 6 is a bottom plan view thereof; FIG. 7 is a first perspective view thereof; FIG. 8 is a second perspective view thereof; FIG. 9 is a front elevational view of a second embodiment of a safety vehicle cell phone holder; FIG. 10 is a rear elevational view of FIG. 9; FIG. 11 is a left side view of FIG. 9; FIG. 12 is a right side view of FIG. 9; FIG. 13 is a top plan view of FIG. 9; FIG. 14 is a bottom plan view of FIG. 9; FIG. 15 is a first perspective view of FIG. 9; and, FIG. 16 is a second perspective view of FIG. 9.

**1 Claim, 16 Drawing Sheets**



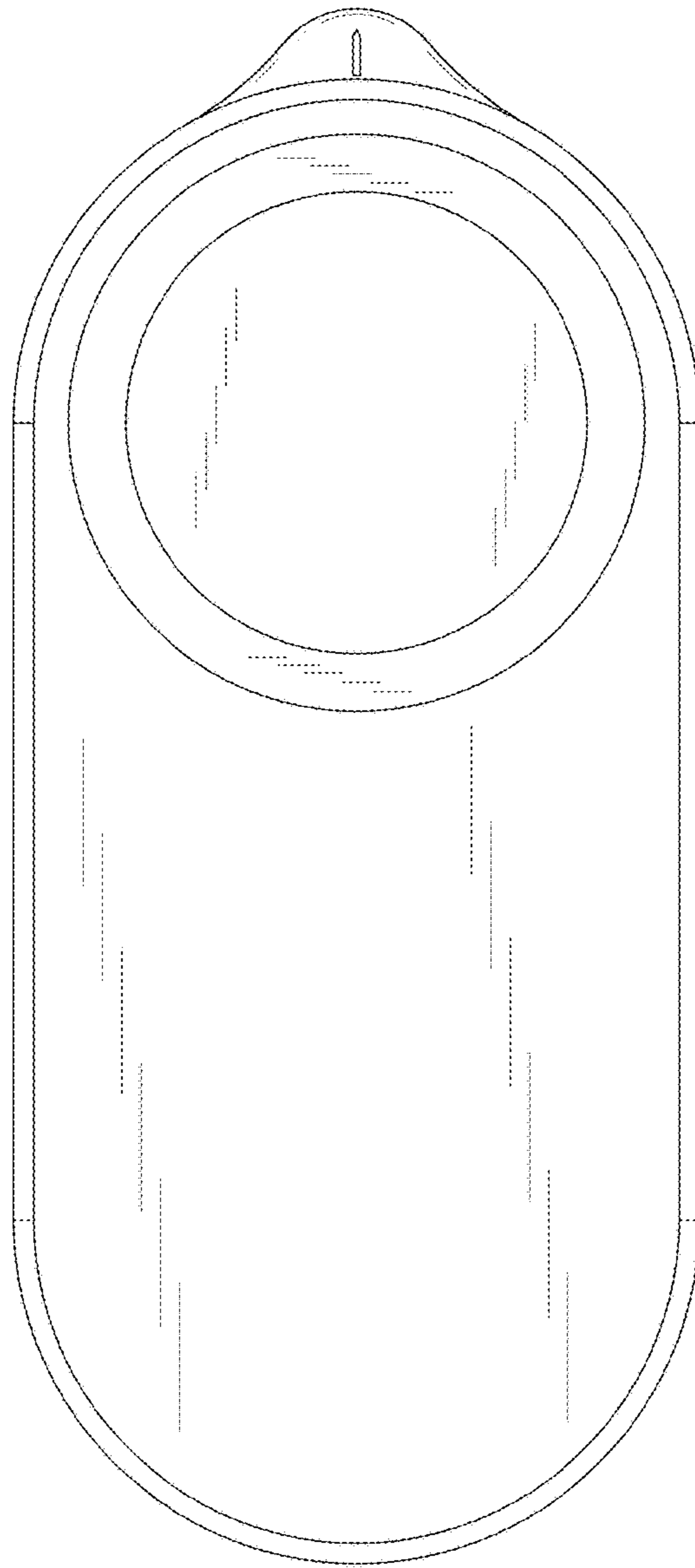


FIG. 1

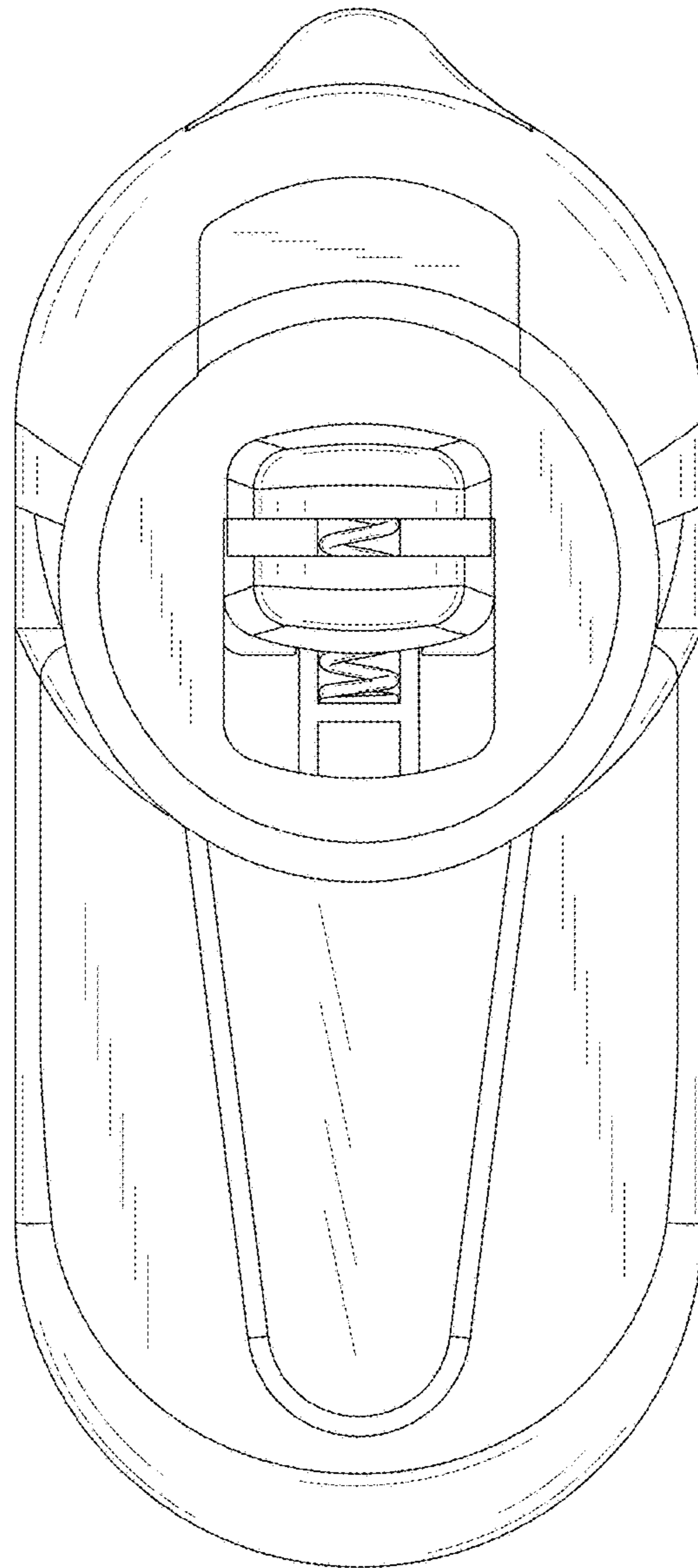


FIG.2

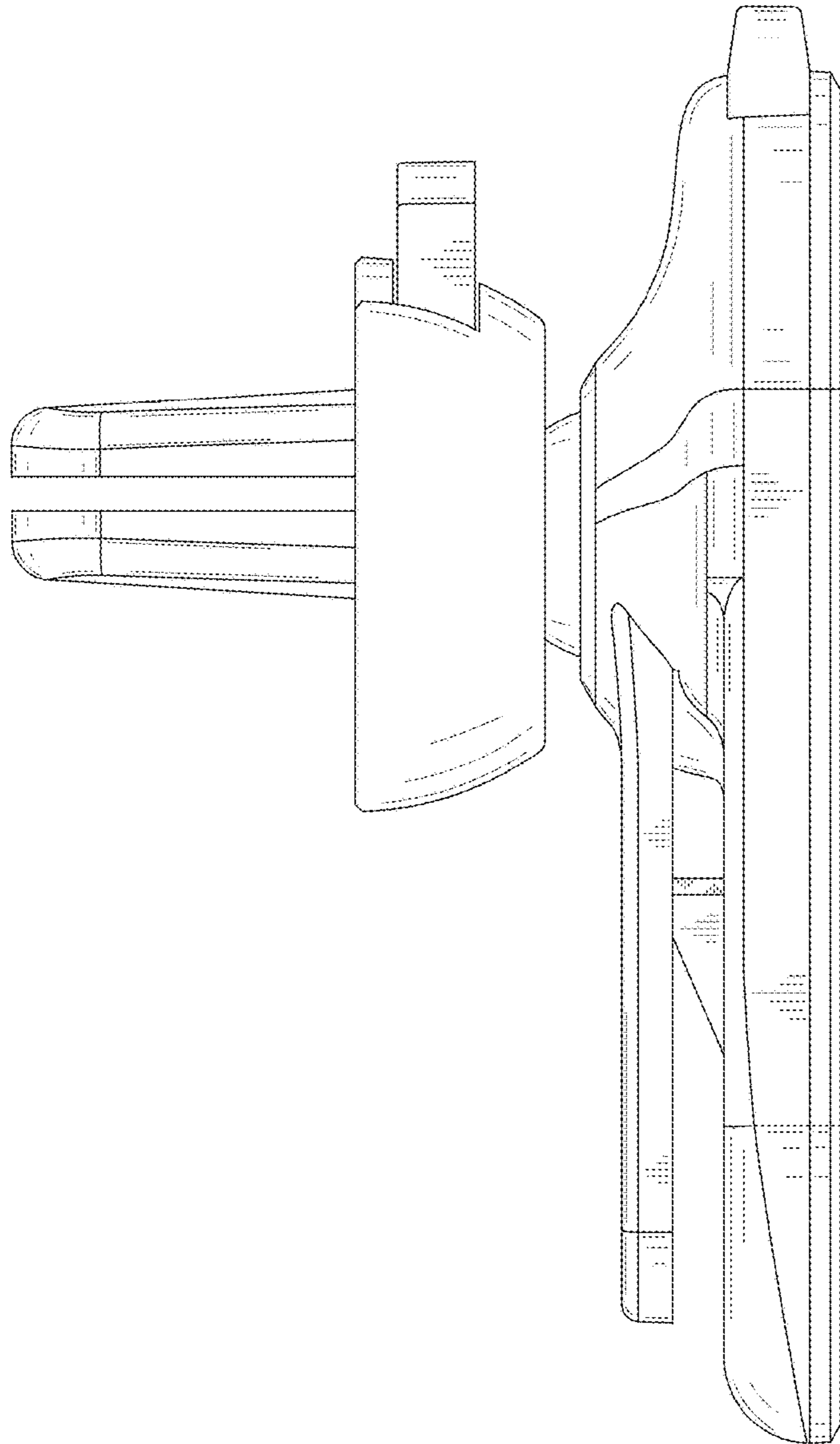


FIG.3

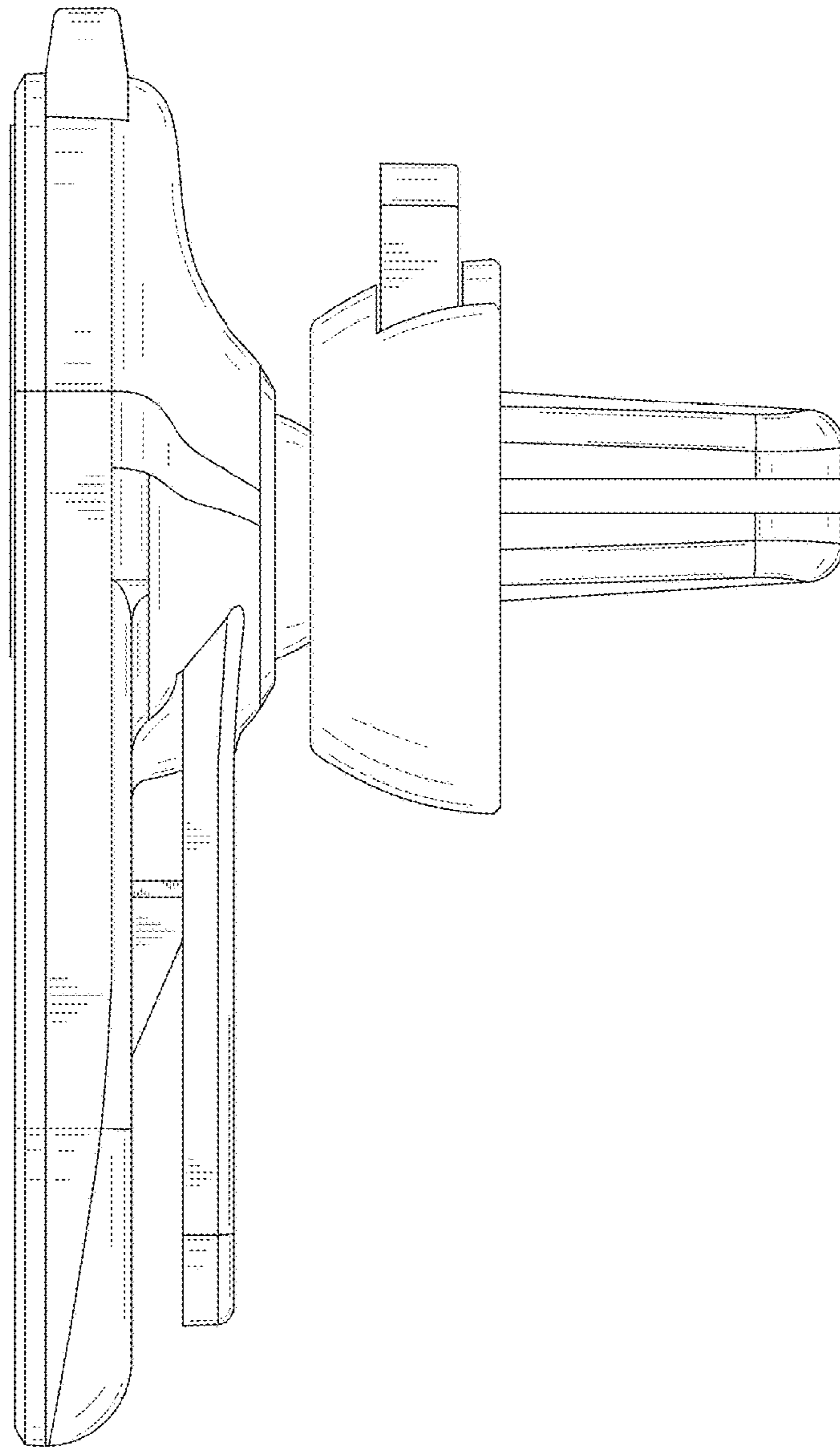


FIG.4

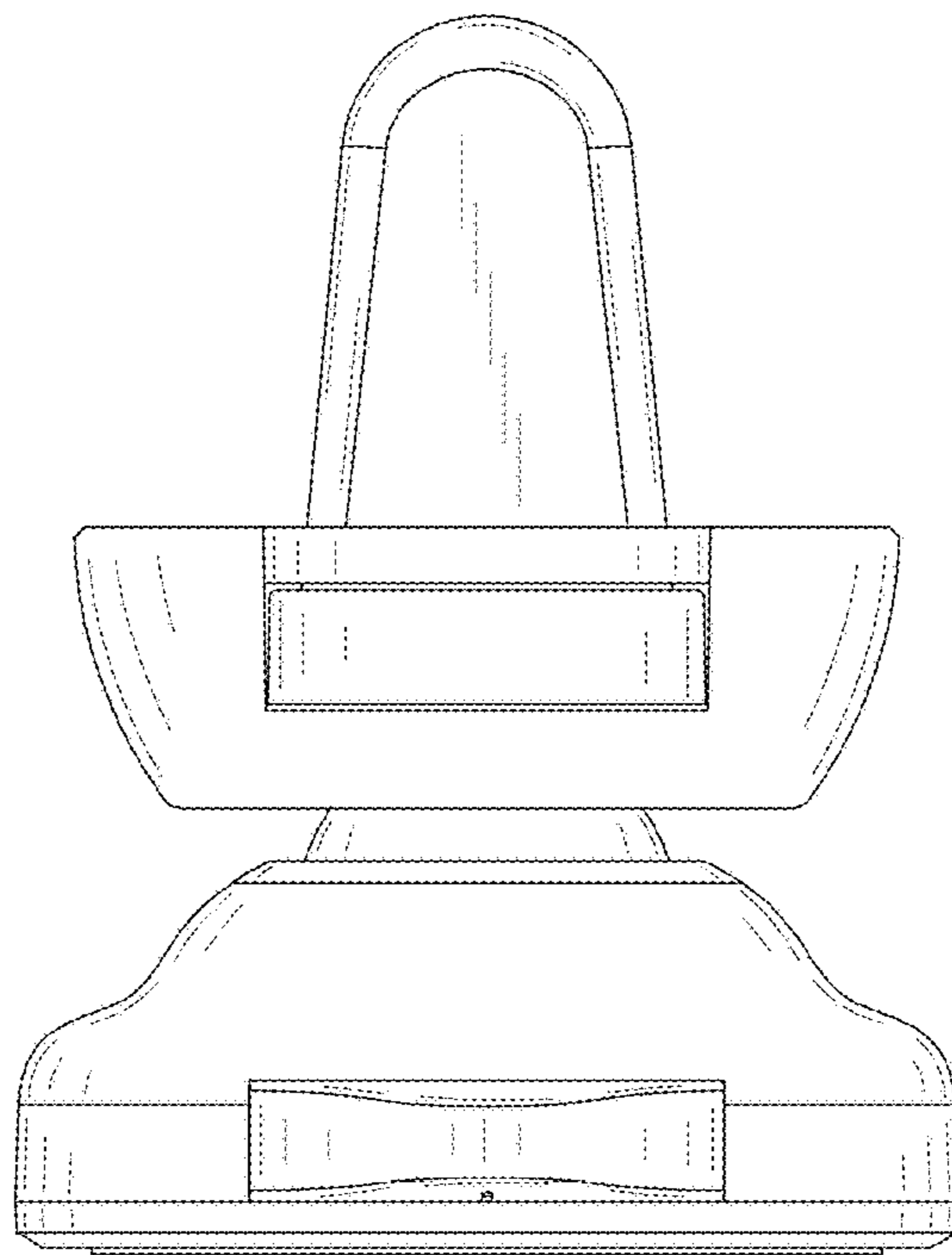


FIG.5



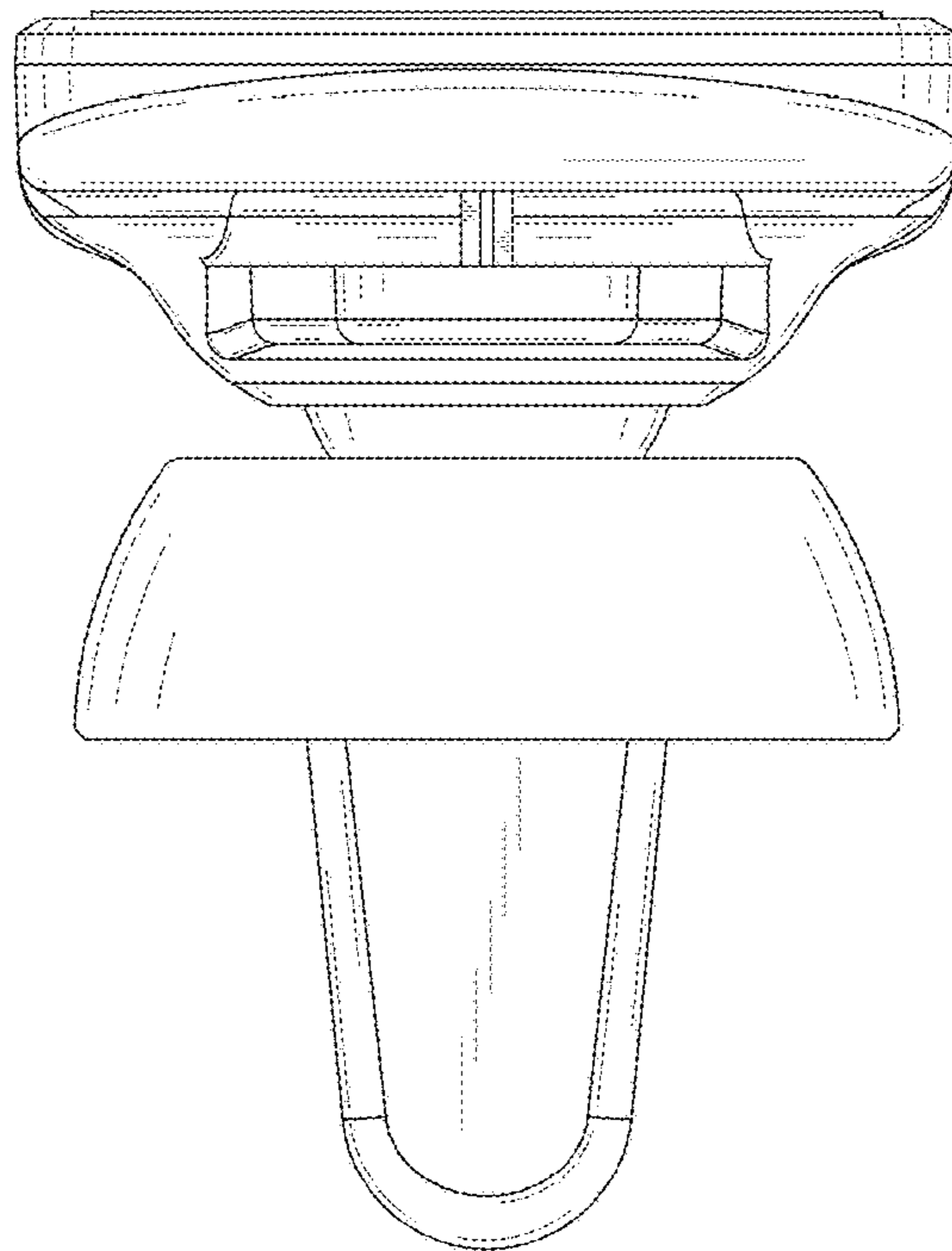


FIG.6

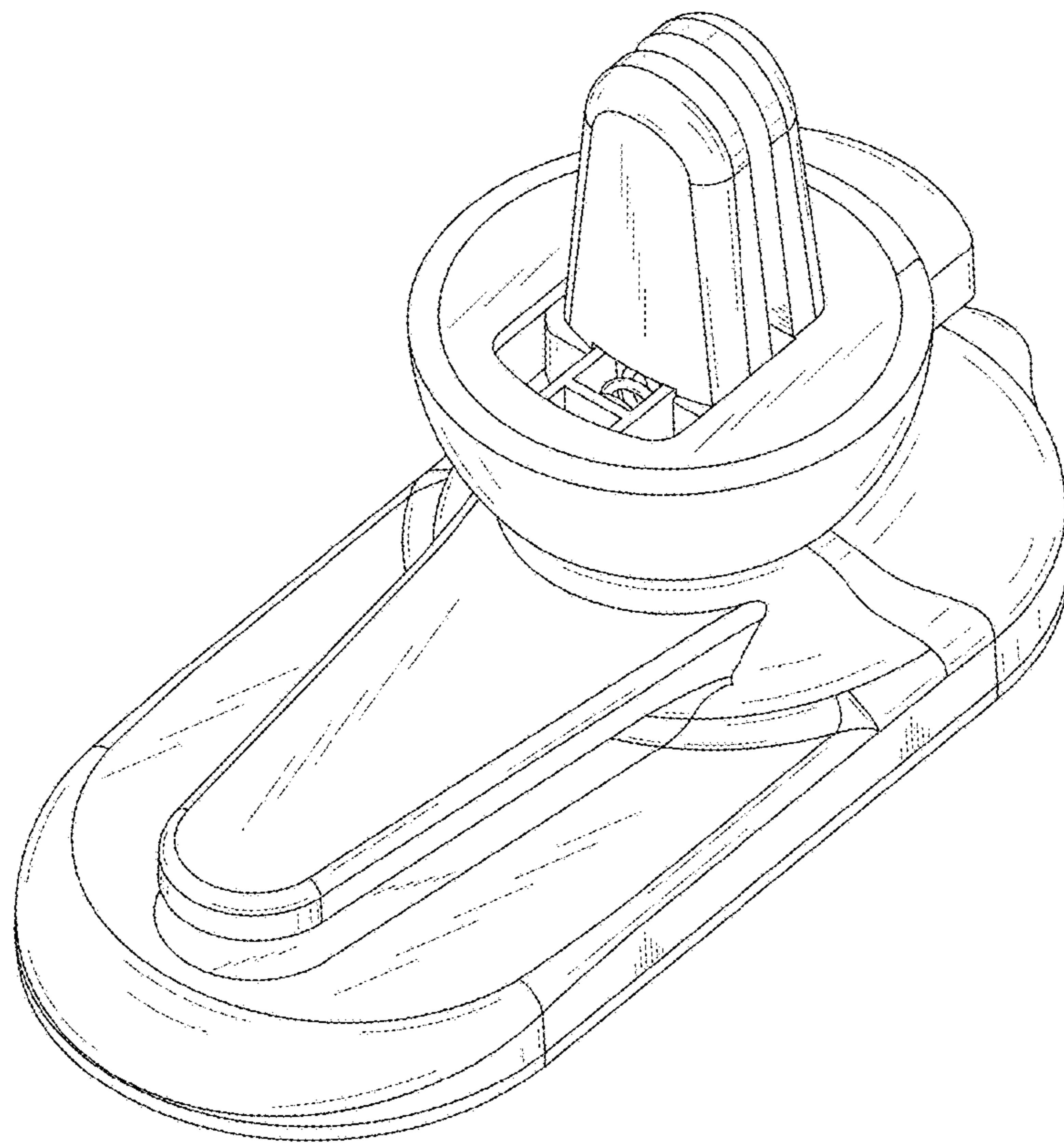


FIG.7



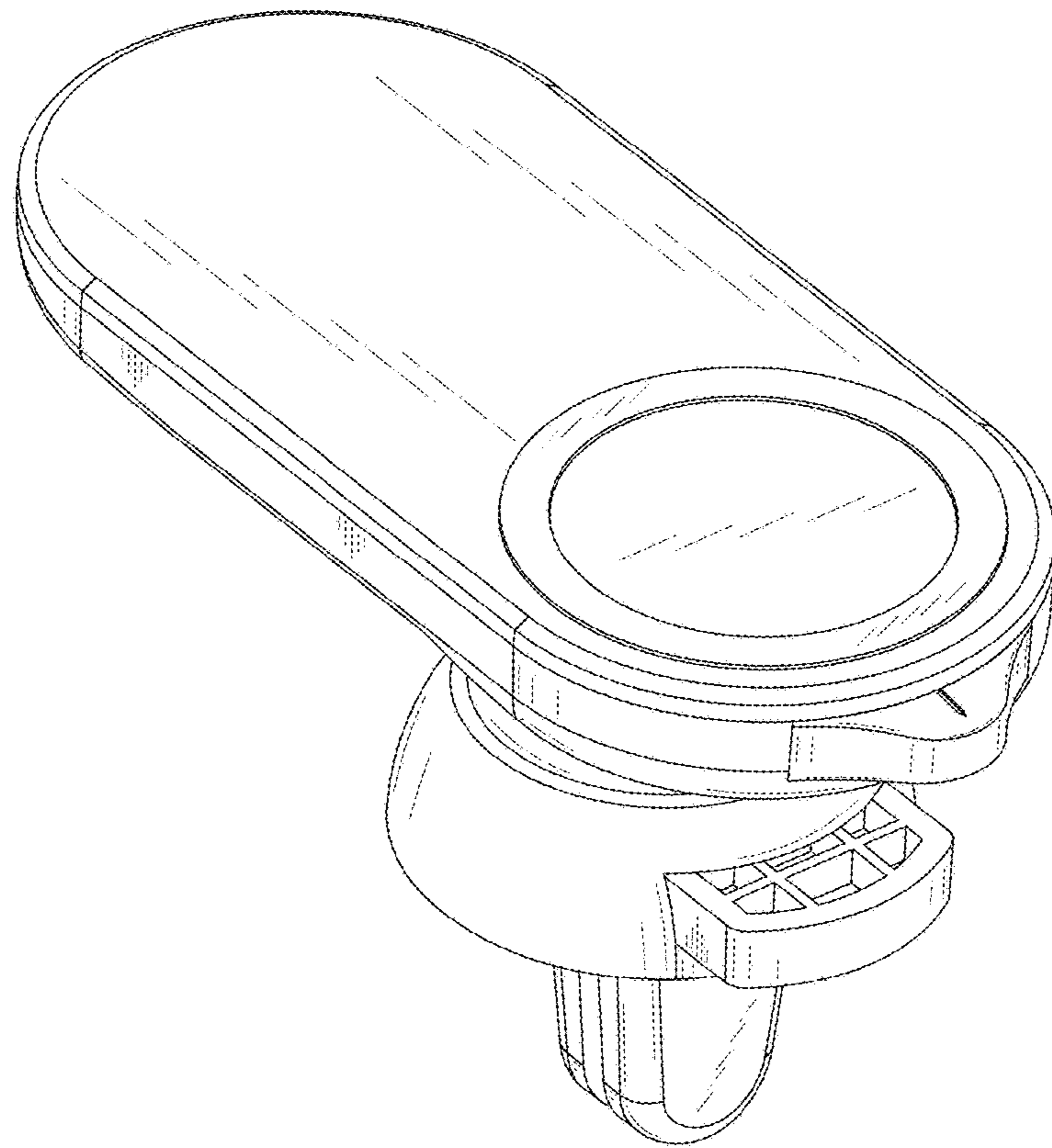


FIG.8

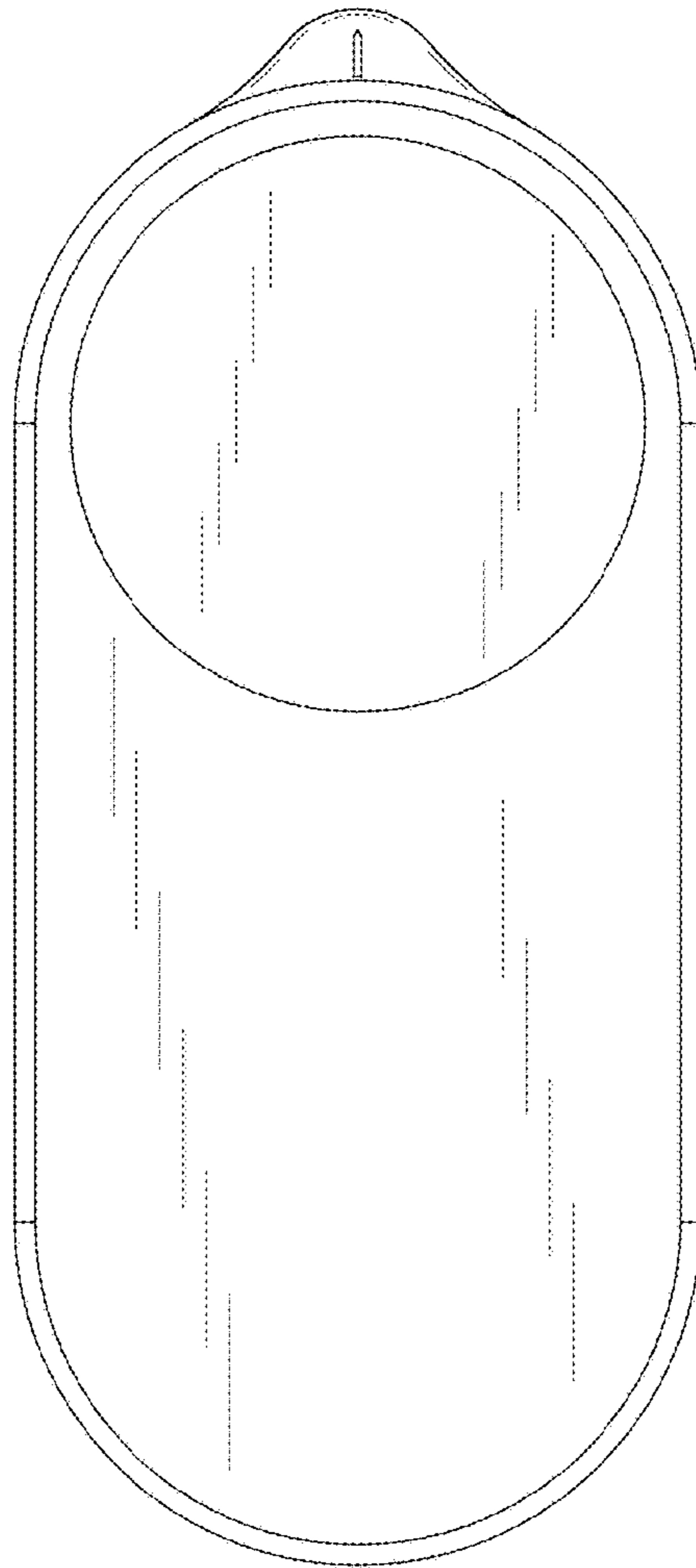


FIG.9

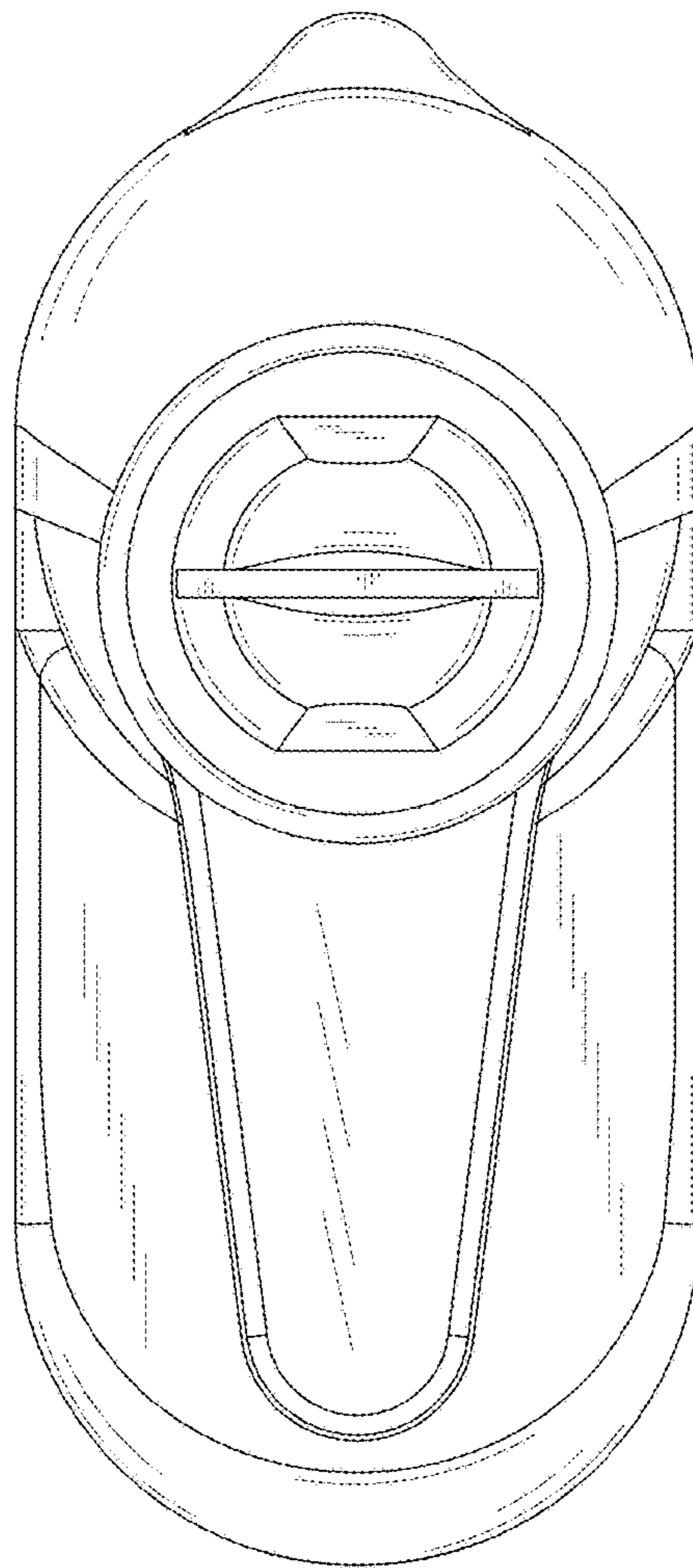


FIG.10

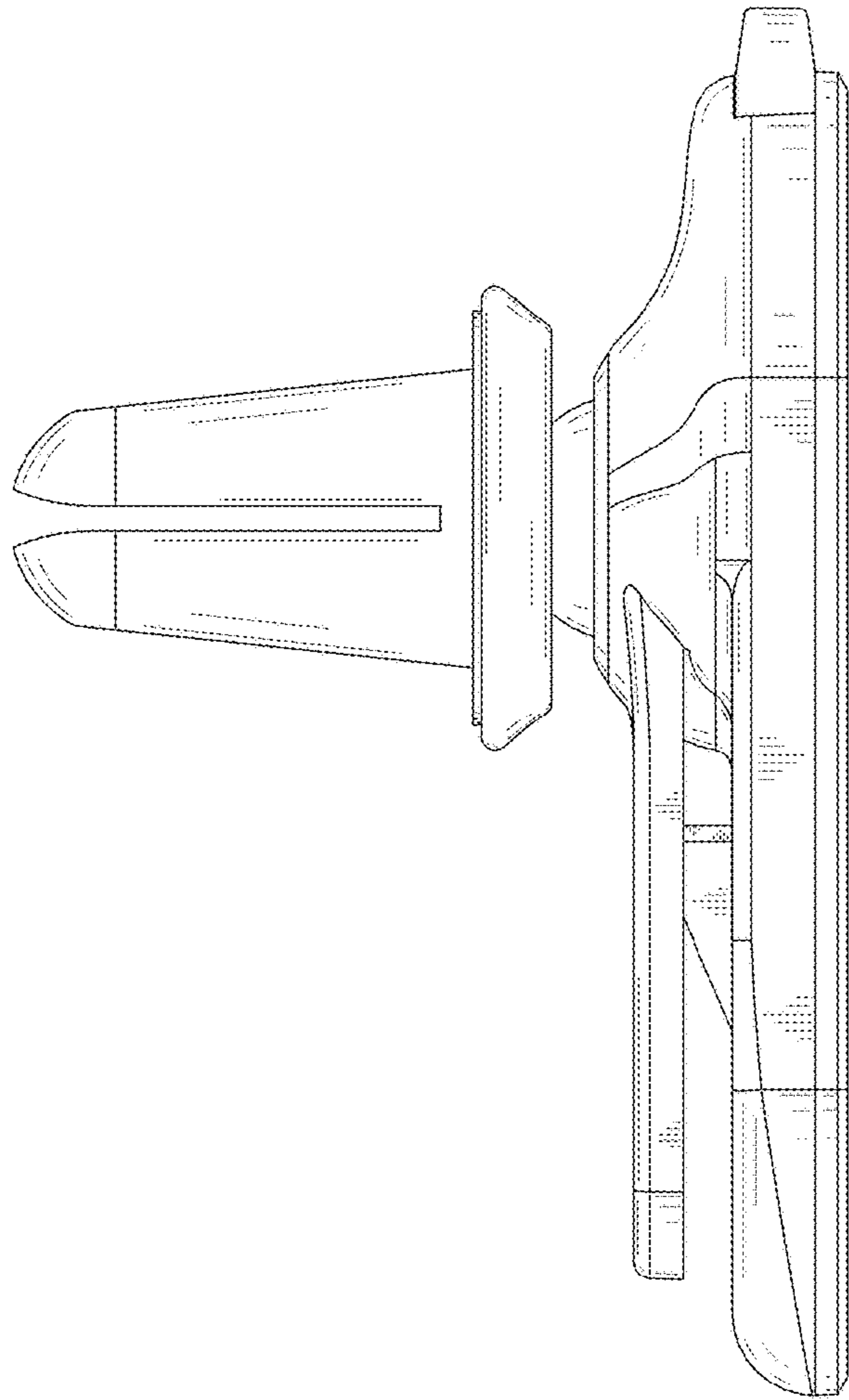


FIG.11

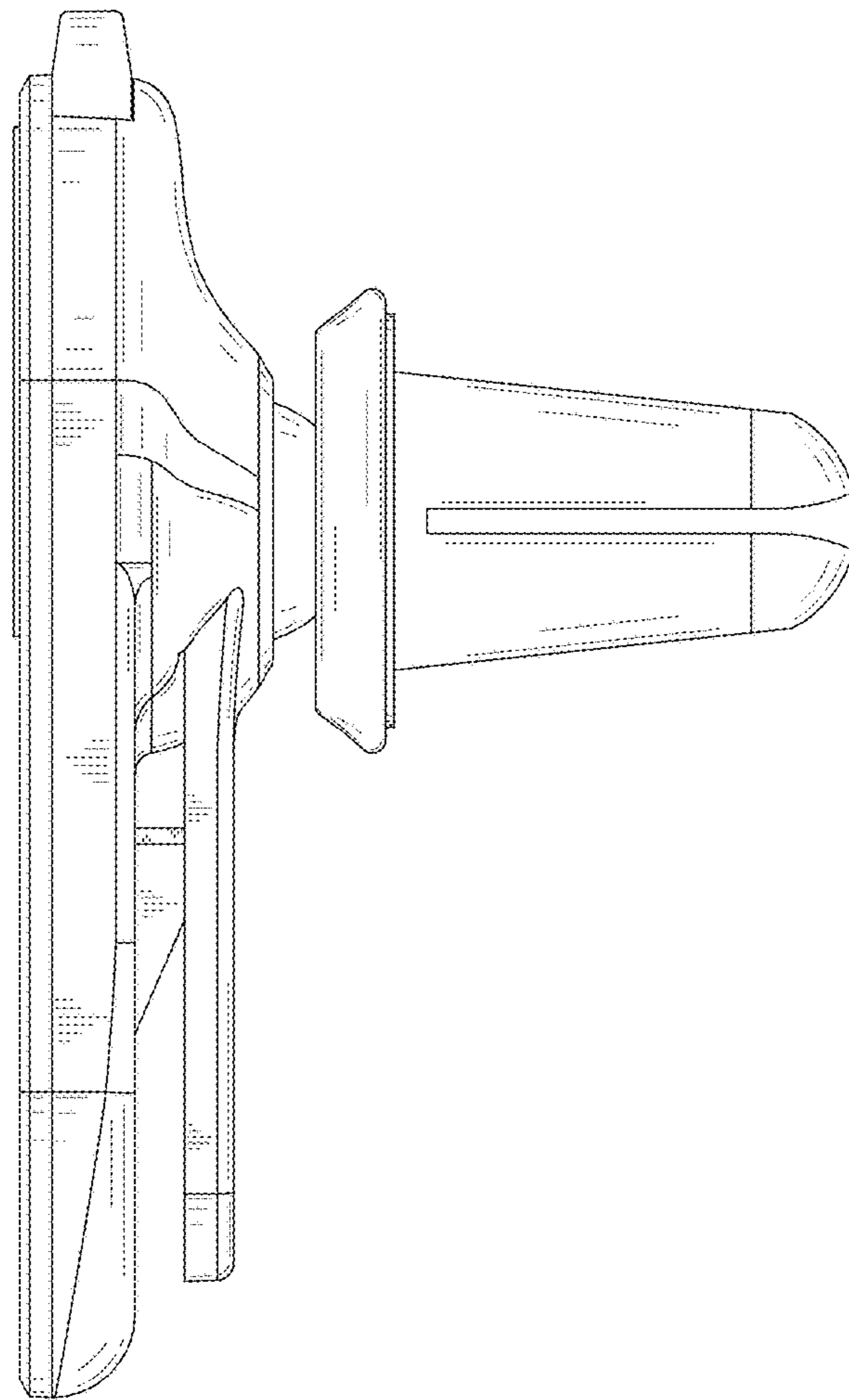


FIG.12

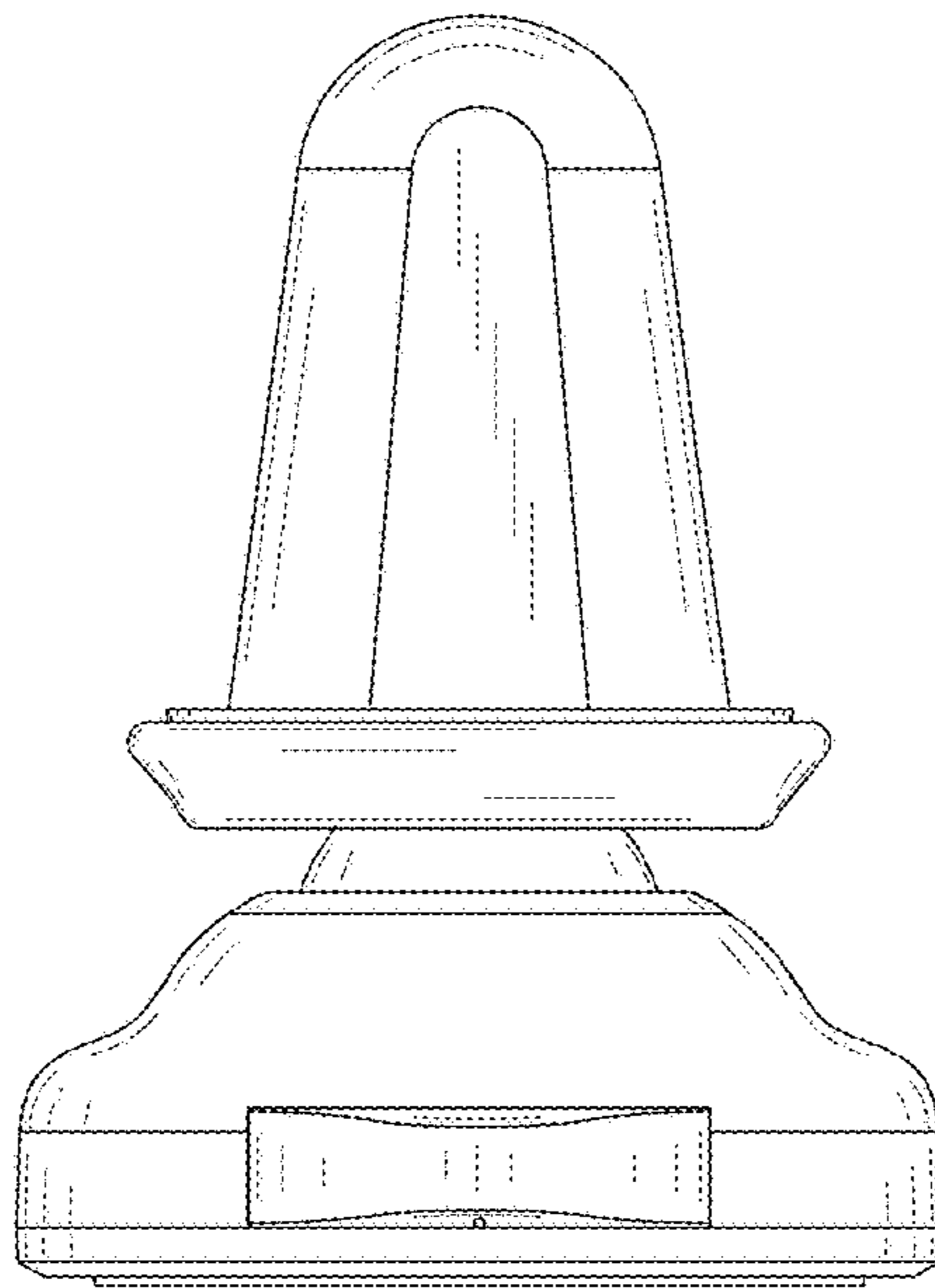


FIG.13



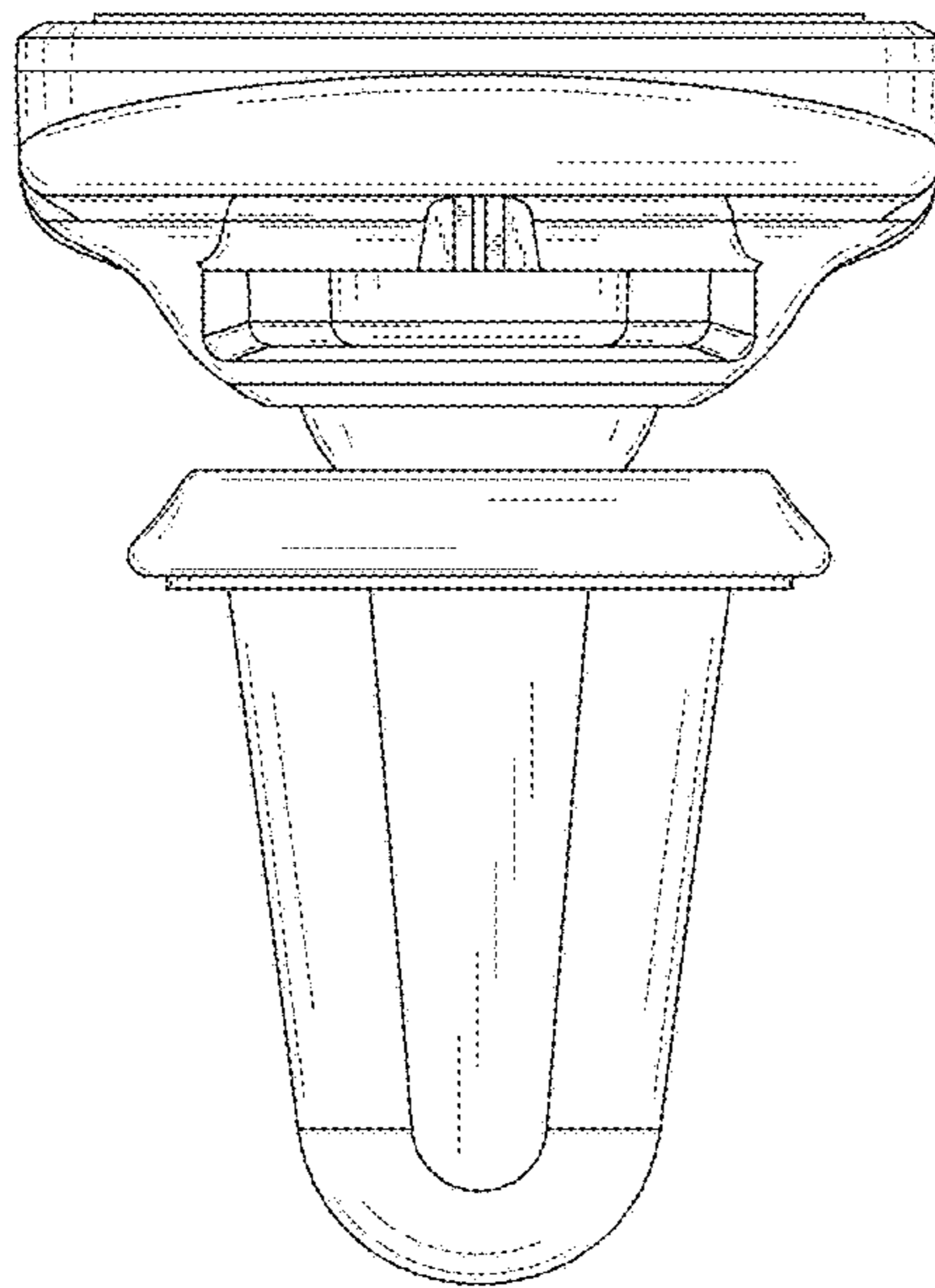


FIG.14

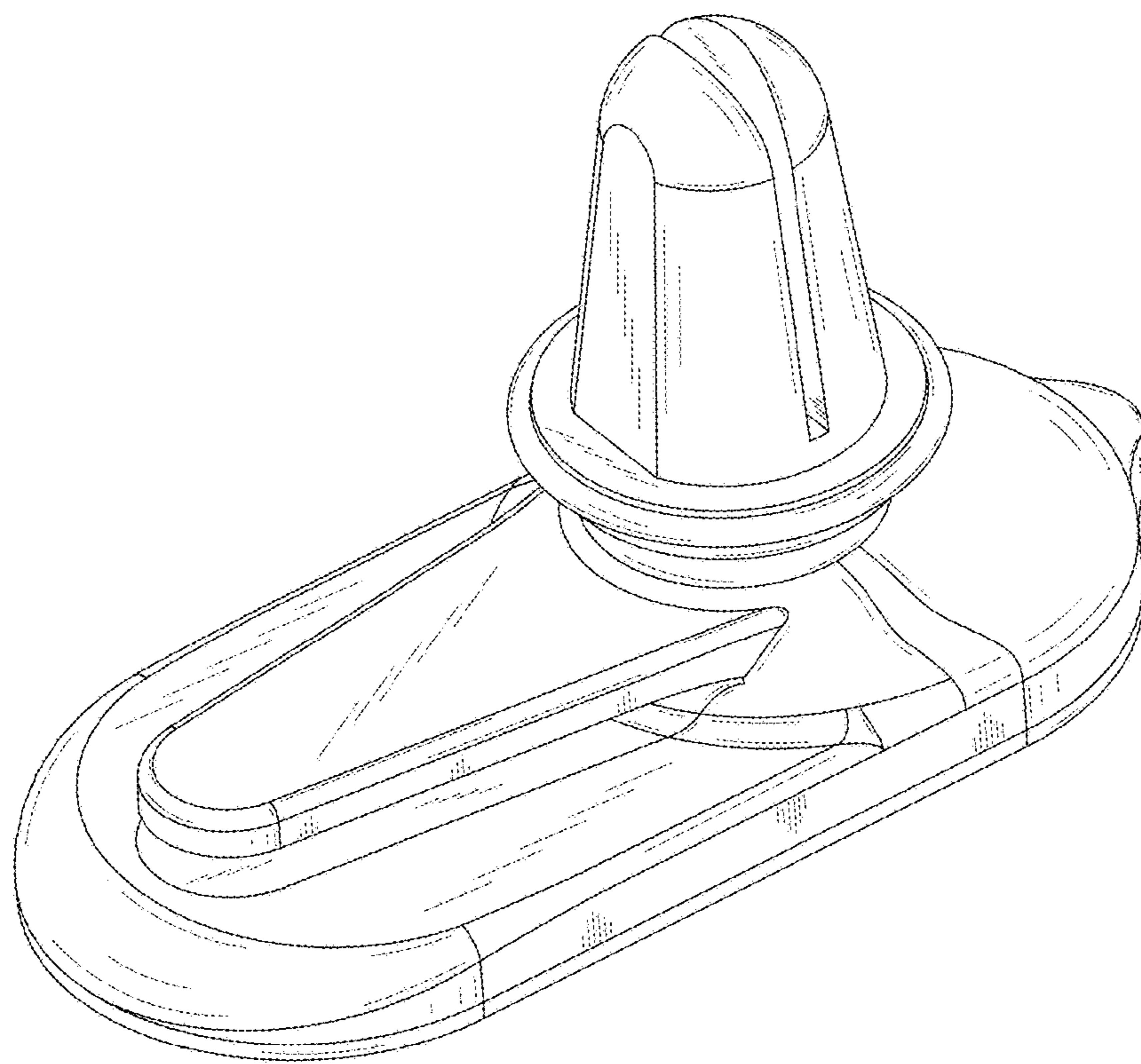


FIG.15

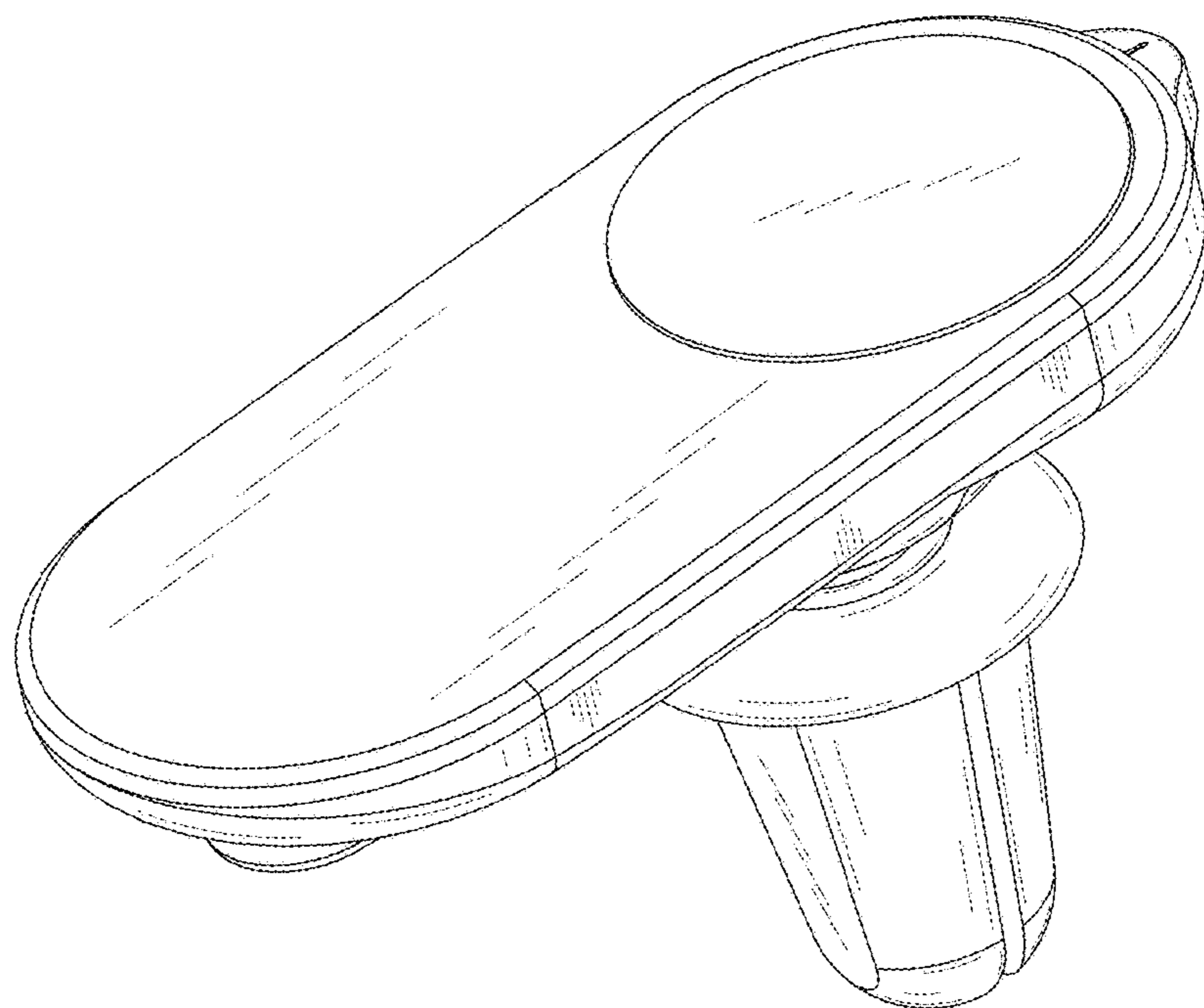


FIG.16