



US00D85551S

(12) **United States Design Patent** (10) **Patent No.:** **US D855,551 S**  
**Shen** (45) **Date of Patent:** **\*\* Aug. 6, 2019**

(54) **ROOF RACK BAR**

(71) Applicant: **KING ROOF INDUSTRIAL CO., LTD.**, Taichung (TW)

(72) Inventor: **Shih-Chieh Shen**, Taichung (TW)

(73) Assignee: **KING ROOF INDUSTRIAL CO., LTD.**, Taichung (TW)

(\*\*) Term: **15 Years**

(21) Appl. No.: **29/640,997**

(22) Filed: **Mar. 19, 2018**

(51) **LOC (12) Cl.** ..... **12-16**

(52) **U.S. Cl.**  
USPC ..... **D12/412**

(58) **Field of Classification Search**  
USPC .... D12/414.1, 401-414, 89-93, 16, 96-100, D12/433-434, 548, 552, 559, 561; D25/38.1, 43, 119, 121, 122, 124; D6/552, 513, 567; 135/88.01, 95; 150/165-167, 158; 160/32, 26; 280/770; 296/136.01, 190.08, 190.01-190.02, 77.1, 296/100.01-100.06, 98; D3/304-306  
CPC .... B60R 9/00; B60R 9/02; B60R 9/04; B60R 9/08; B60R 9/055; B60R 9/058; B60R 9/06; B60R 9/065; B60R 9/10; B60R 9/12

See application file for complete search history.

(56) **References Cited**

**U.S. PATENT DOCUMENTS**

D294,137 S *	2/1988	Robson	.....	D12/412
D425,734 S *	5/2000	Bauer	.....	D8/377
D439,461 S *	3/2001	Brunell	.....	D6/580
6,425,508 B1 *	7/2002	Cole	.....	B60R 9/045 224/320
D538,219 S *	3/2007	Rakow	.....	D12/414
D562,218 S *	2/2008	Foley	.....	D12/408
D566,034 S *	4/2008	Davis	.....	D12/408
D567,729 S *	4/2008	Crandall	.....	D12/203

(Continued)

**FOREIGN PATENT DOCUMENTS**

CN 108995599 \* 12/2018 ..... B60R 9/04

**OTHER PUBLICATIONS**

CB-1001 Aluminum Cross Bar for Open Rail, KingRoof.com, [online], [site visited Mar. 8, 2019]. <URL: http://www.kingroof.com/product/30/22> (Year: 2019).\*

(Continued)

*Primary Examiner* — T Chase Nelson

*Assistant Examiner* — Jonathan J. Han

(74) *Attorney, Agent, or Firm* — Muncy, Geissler, Olds & Lowe, P.C.

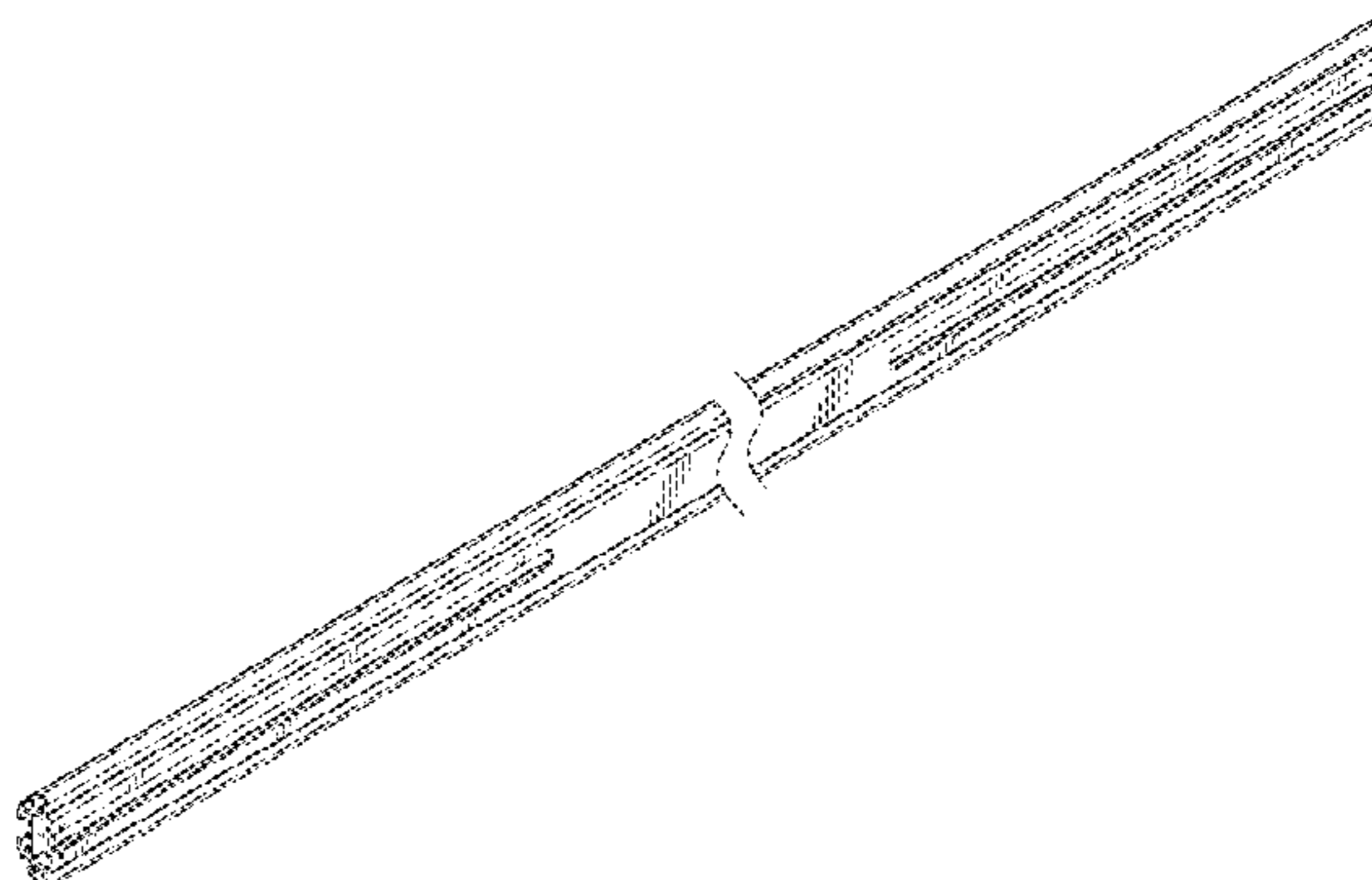
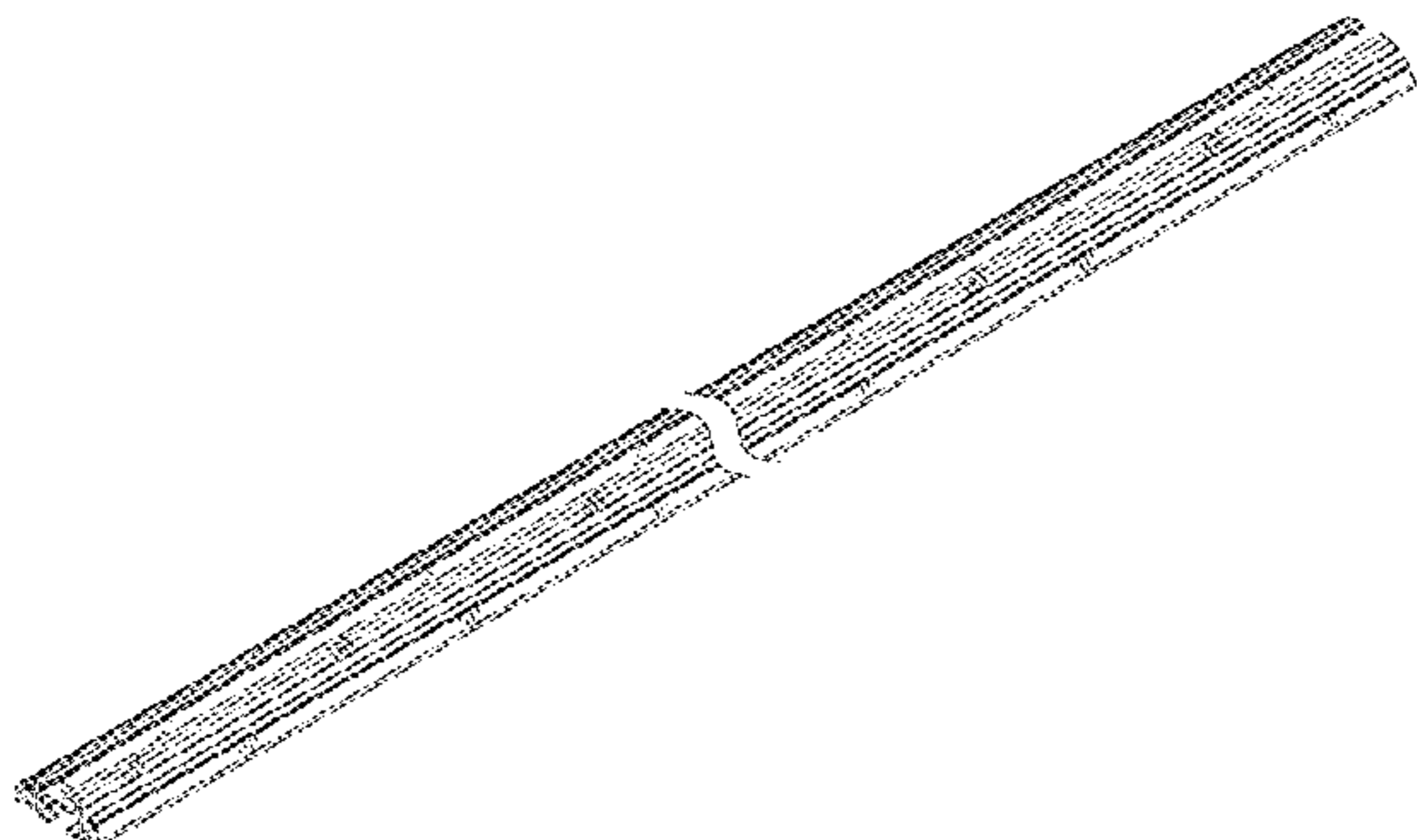
(57) **CLAIM**

I claim the ornamental design for a roof rack bar, as shown and described.

**DESCRIPTION**

FIG. 1 is a right, front, top perspective view of a roof rack bar showing my new design;  
 FIG. 2 is a front elevational view thereof;  
 FIG. 3 is a rear elevational view thereof;  
 FIG. 4 is a left side view thereof;  
 FIG. 5 is a right side view thereof;  
 FIG. 6 is a top plan view thereof;  
 FIG. 7 is a bottom plan view thereof;  
 FIG. 8 is an enlarged view of FIG. 2 thereof;  
 FIG. 9 is a right, front, bottom perspective view of the roof rack bar thereof;  
 FIG. 10 is a view showing the roof rack bar in use; and,  
 FIG. 11 is an enlarged and cross-sectional view of the roof rack bar in use, taken along line 11-11 in FIG. 10.  
 The dotted lines in FIGS. 10 and 11 represent environment that forms no part of the claim.  
 The appearance of any portion of the article between the break lines forms no part of the claimed design.

**1 Claim, 8 Drawing Sheets**



(56)

**References Cited**

U.S. PATENT DOCUMENTS

D586,950 S \* 2/2009 Garner ..... D26/138  
 D616,035 S \* 5/2010 Kosir ..... D20/44  
 D617,583 S \* 6/2010 Daino ..... D25/123  
 7,726,528 B2 \* 6/2010 Foley ..... B60R 9/048  
 224/324  
 7,726,529 B2 \* 6/2010 Foley ..... B60R 9/048  
 211/20  
 D622,208 S \* 8/2010 Sautter ..... D12/408  
 D623,117 S \* 9/2010 Farber ..... D12/408  
 D633,031 S \* 2/2011 Robertson ..... D12/412  
 8,136,709 B2 \* 3/2012 Jeli ..... B60R 9/12  
 224/316  
 8,534,518 B2 \* 9/2013 Shen ..... B60R 9/058  
 224/322  
 D691,550 S \* 10/2013 Moeller ..... D12/412  
 D697,335 S \* 1/2014 Dekker ..... D6/580  
 D701,163 S \* 3/2014 Kuschmeader ..... D12/408  
 D746,761 S \* 1/2016 Cagampang ..... D12/414  
 D768,556 S \* 10/2016 McFadden ..... D12/414  
 D769,790 S \* 10/2016 McFadden ..... D12/414

9,718,410 B2 \* 8/2017 Cropley ..... B60R 9/058  
 D804,427 S \* 12/2017 Baldwin ..... D13/155  
 D805,038 S \* 12/2017 Baldwin ..... D13/155  
 D816,373 S \* 5/2018 Schwandt ..... D6/580  
 D831,562 S \* 10/2018 Salsi ..... D12/412  
 2011/0174853 A1 \* 7/2011 Hubbard ..... B60R 9/045  
 224/309  
 2018/0236946 A1 \* 8/2018 Shen ..... B60R 9/058

OTHER PUBLICATIONS

Thule WingBar Evo Load Bars—Pair, Rei.com, [online], [site visited Mar. 8, 2019]. <URL: <https://www.rei.com/product/151997/thule-wingbar-evo-load-bars-pair>> (Year: 2019).\*

Car Roof Rack Cross-bar Round Up, CargoGear.com, [online], [site visited Mar. 8, 2019]. <URL: <https://www.cargogear.com/roof-racks/RackCrossBarRoundUp.htm>> (Year: 2019).\*

Rhino-Rack va Vortex Silver Aero Crossbars for Rhino-Rack Car Roof Racks, RackWarehouse.com, [online], [site visited Mar. 8, 2019]. <URL: <https://www.rackwarehouse.com/rhino-rack-vortex-silver-va-aero-crossbars.html>> (Year: 2019).\*

\* cited by examiner

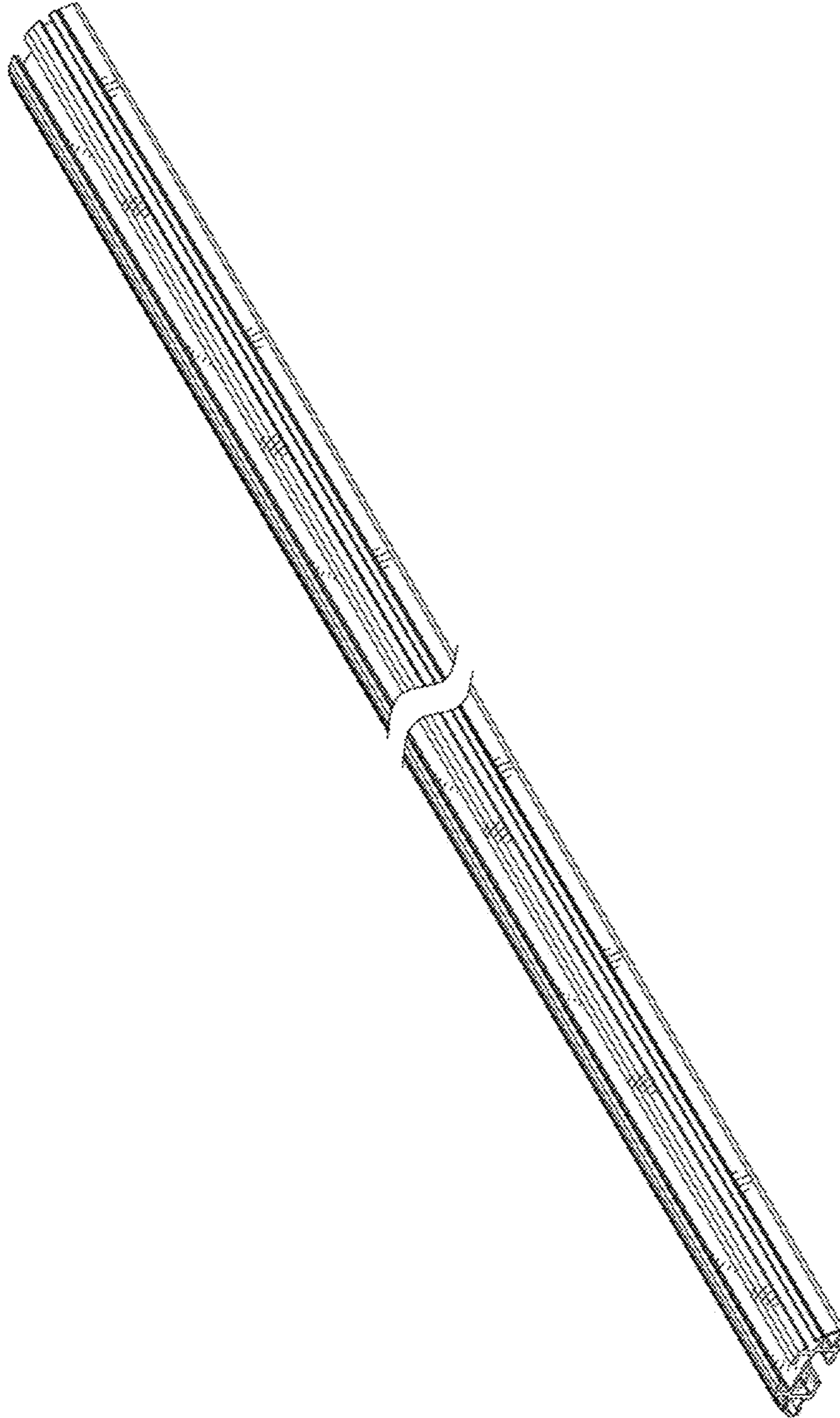


FIG. 1



FIG. 3



FIG. 2



FIG. 4



FIG. 5

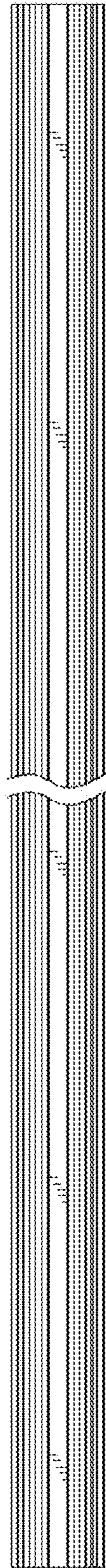


FIG. 6



FIG. 7

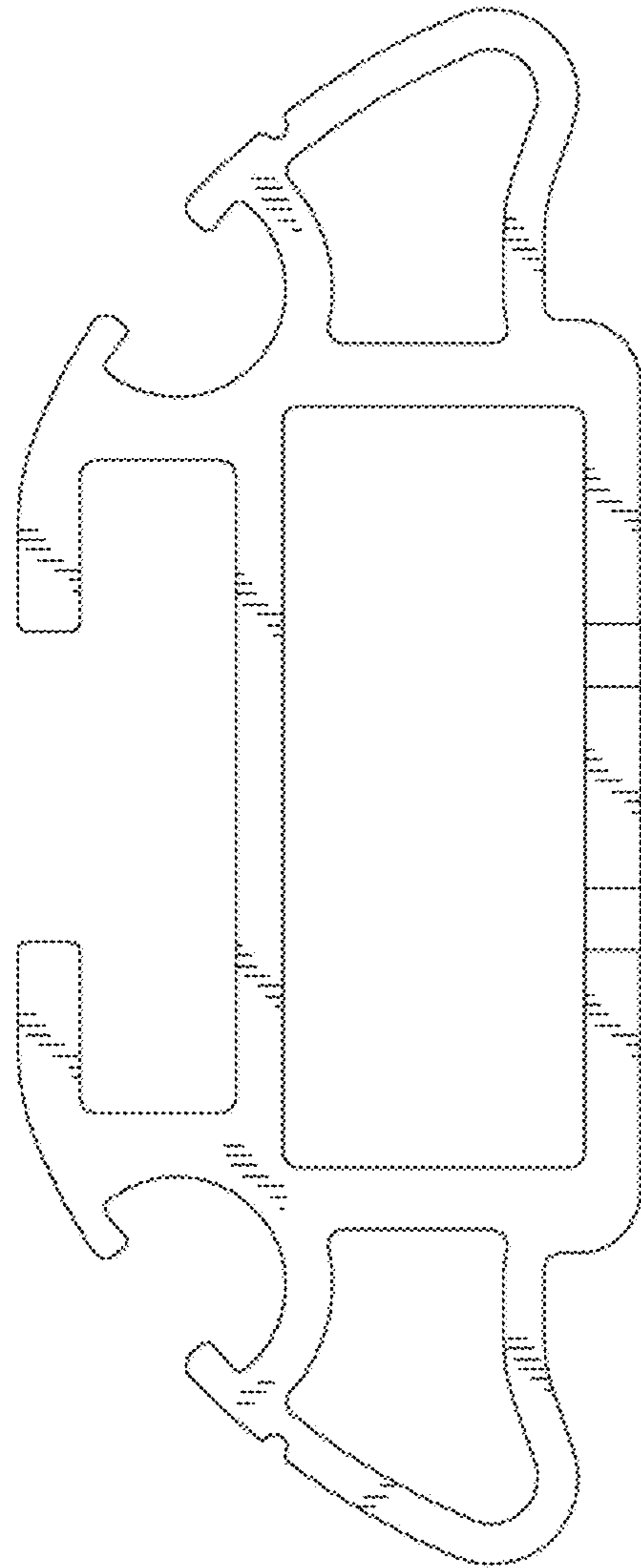


FIG. 8

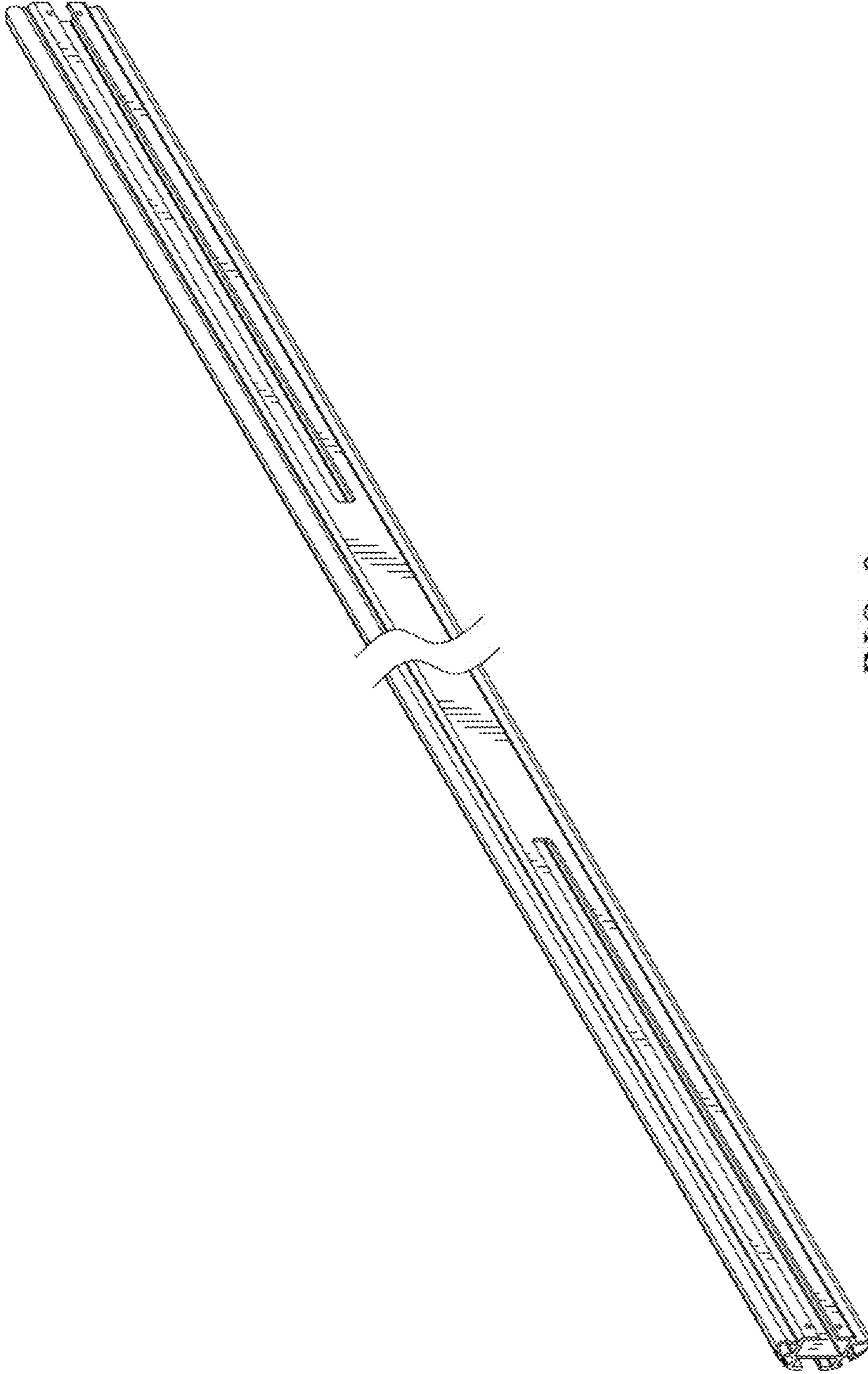


FIG. 9



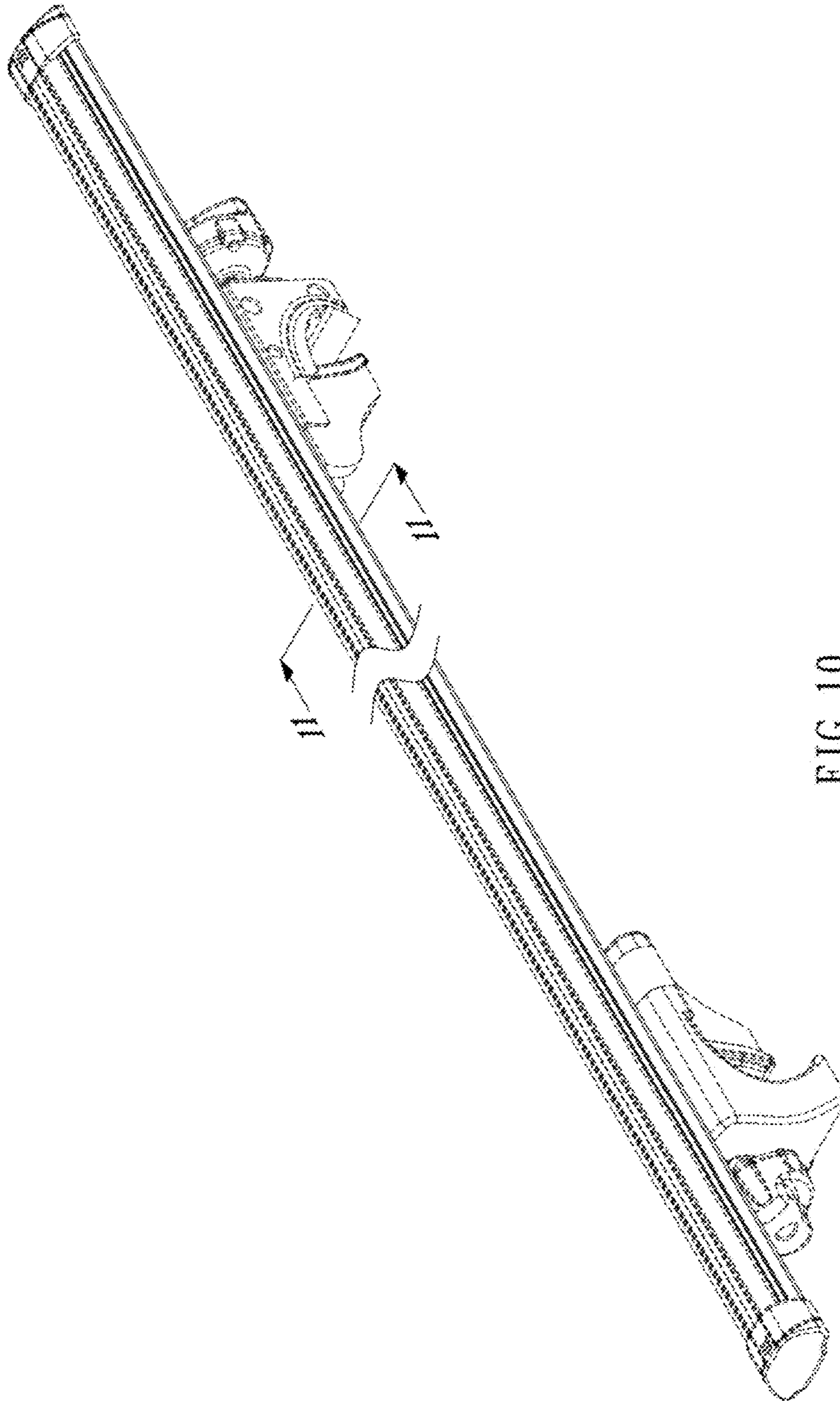


FIG. 10

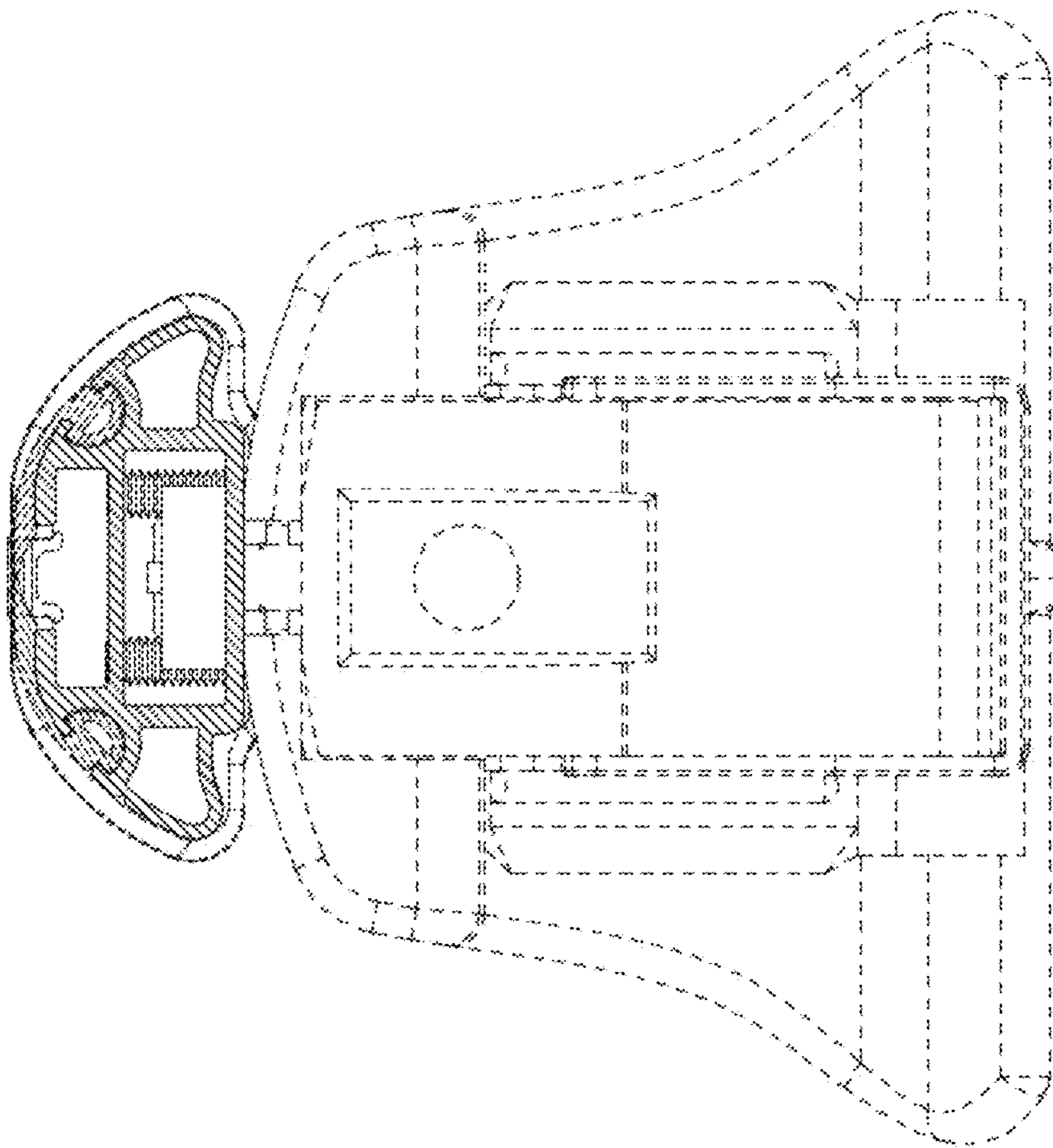


FIG. 11