



US00D855550S

(12) **United States Design Patent** (10) **Patent No.:** **US D855,550 S**
Koerth (45) **Date of Patent:** **** Aug. 6, 2019**

(54) **RECREATIONAL BOARD SUPPORT**

(71) Applicant: **LACKS HOME PRODUCTS,**
Kentwood, MI (US)
(72) Inventor: **Aaron Koerth,** Hudsonville, MI (US)
(73) Assignee: **LACKS HOME PRODUCTS,**
Kentwood, MI (US)
(**) Term: **15 Years**

(21) Appl. No.: **29/613,619**
(22) Filed: **Aug. 11, 2017**
(51) **LOC (12) Cl.** **12-06**
(52) **U.S. Cl.**
USPC **D12/317; D8/388**
(58) **Field of Classification Search**
USPC D21/772, 840; D8/1, 349, 388, 391, 392;
D25/121, 126, 131; D26/138; D12/233,
D12/317
CPC B62B 35/71; E04H 15/06
See application file for complete search history.

(56) **References Cited**

U.S. PATENT DOCUMENTS

D398,514 S * 9/1998 Anderson D8/349
D446,838 S * 8/2001 Carey D21/840
D723,356 S * 3/2015 Simon D8/373
D802,516 S * 11/2017 Stuart D12/317

OTHER PUBLICATIONS

Available Feb. 25, 2019, [online], [site visited Feb. 25, 2019]. Available from Internet, <URL:https://www.footstake.com/products/footstake/> (Year: 2019).*
(Via YouTube), available Mar. 22, 2017, [online], [site visited Mar. 3, 2019]. Available from Internet, <URL:https://www.youtube.com/watch?v=KTBNKe_XAPU> (Year: 2017).*

* cited by examiner

Primary Examiner — Cathron C Brooks
Assistant Examiner — Katrina N Gonzalez

(74) *Attorney, Agent, or Firm* — John S. Artz; Dickinson Wright PLLC

(57) **CLAIM**

The ornamental design for a recreational board support, as shown and described.

DESCRIPTION

FIG. 1 is a perspective view of a recreational board support; FIG. 2 is a front view of the recreational board support; FIG. 3 is a right side view of the recreational board support; FIG. 4 is a left side view of the recreational board support; FIG. 5 is a back view of the recreational board support; FIG. 6 is a top view of the recreational board support; and, FIG. 7 is a bottom view of the recreational board support. The broken lines shown in the drawings are included for the purpose of illustrating environmental structure and form no part of the claimed design.

1 Claim, 5 Drawing Sheets

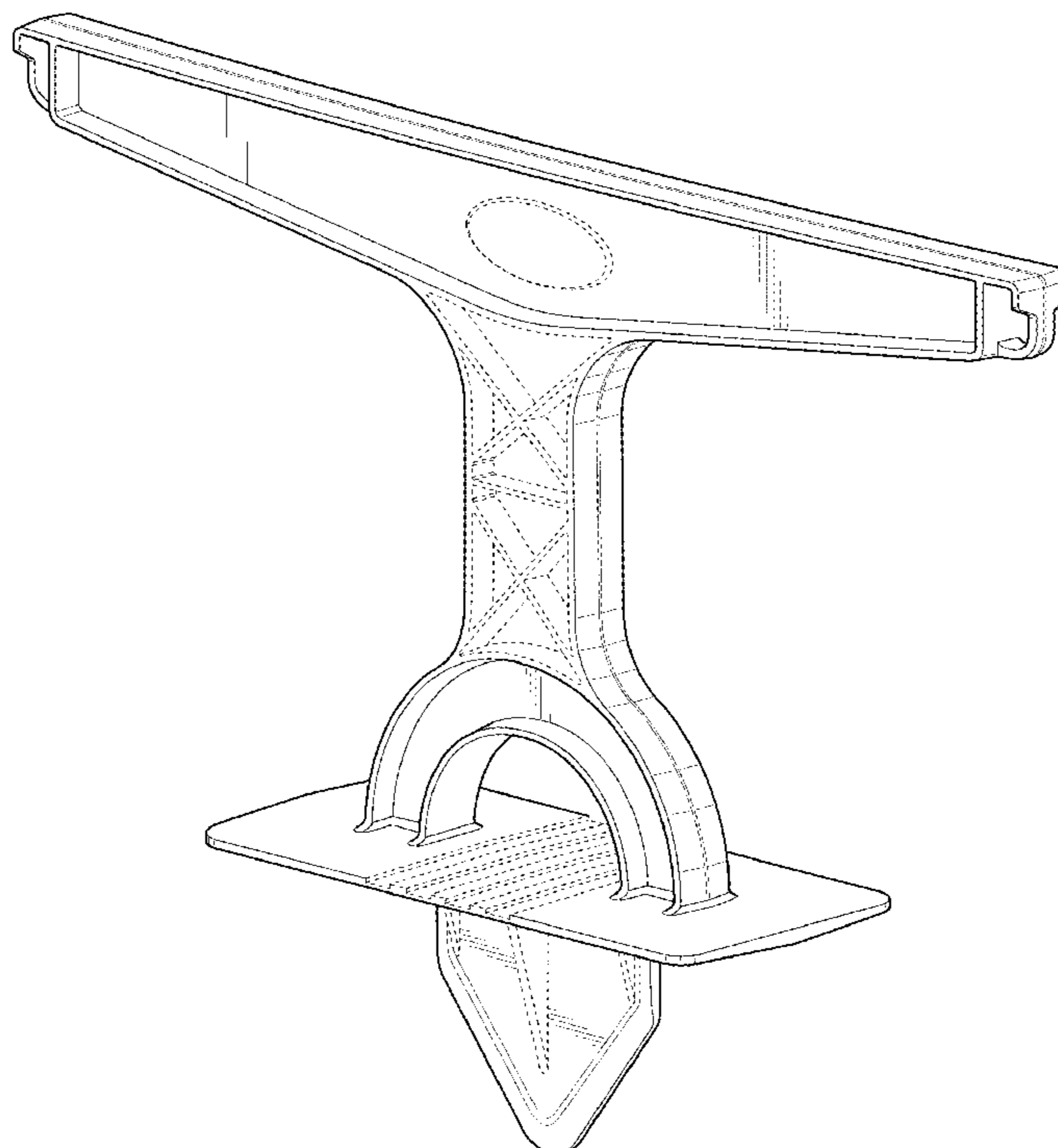
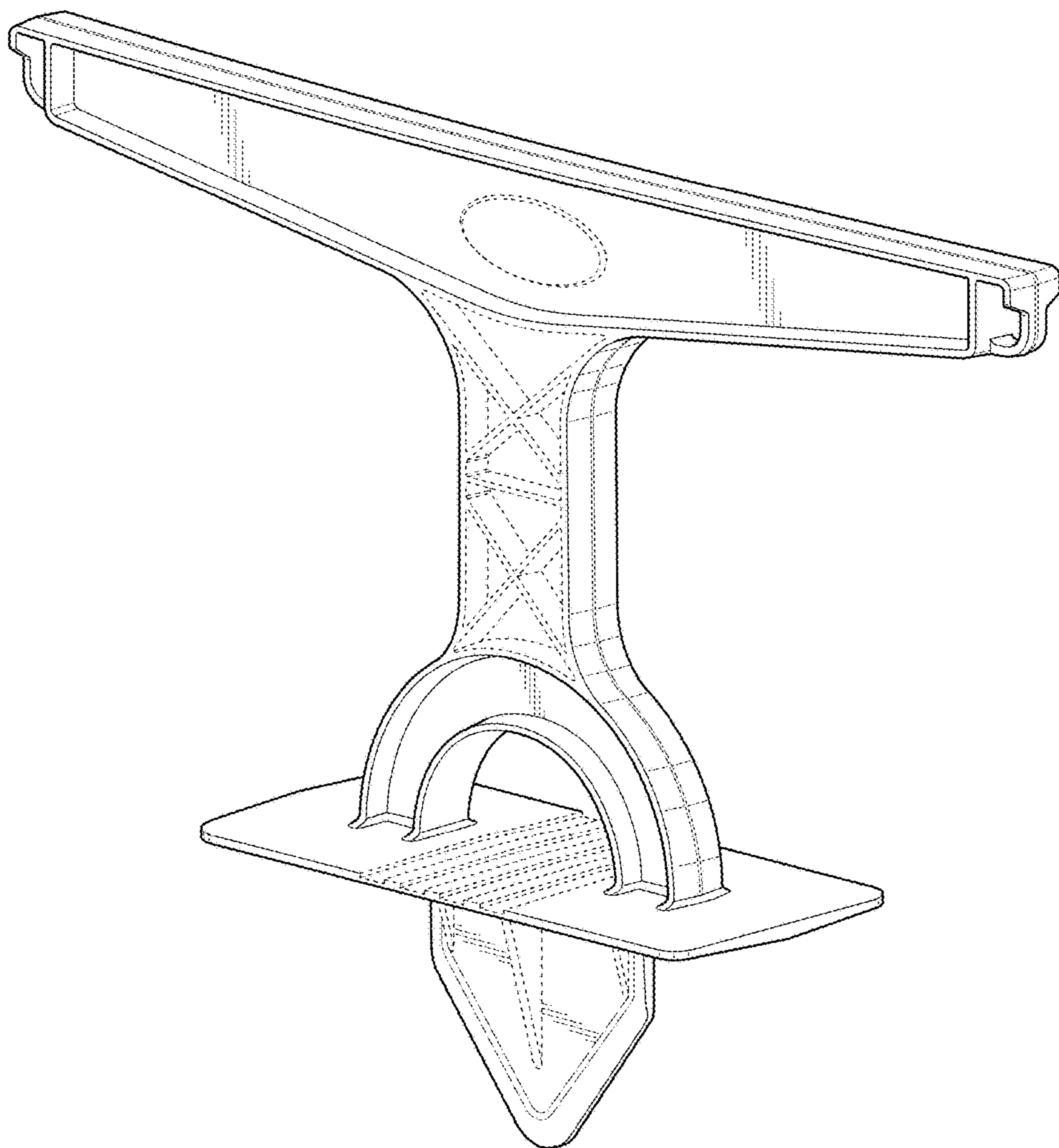


FIG. 1



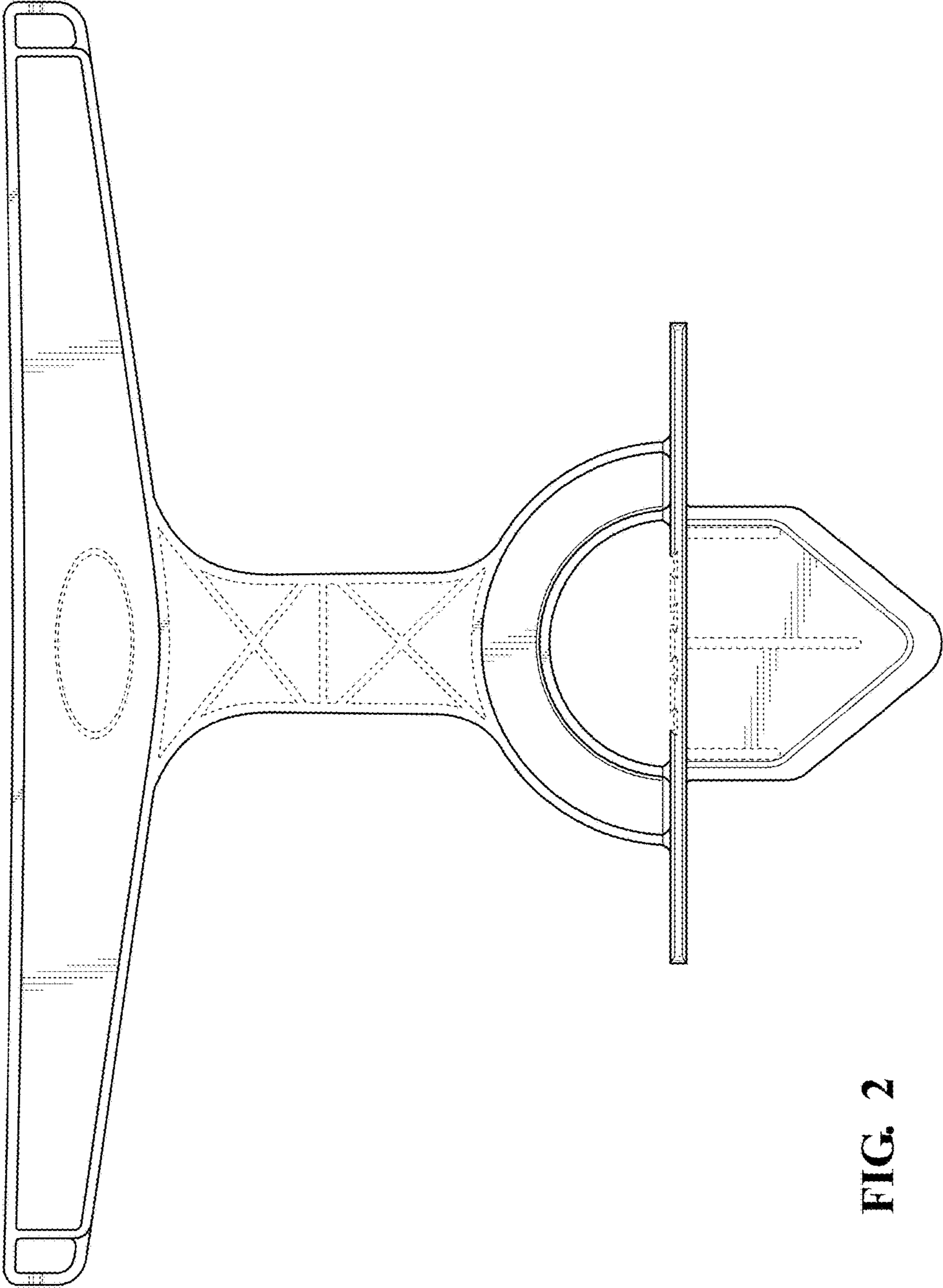


FIG. 2

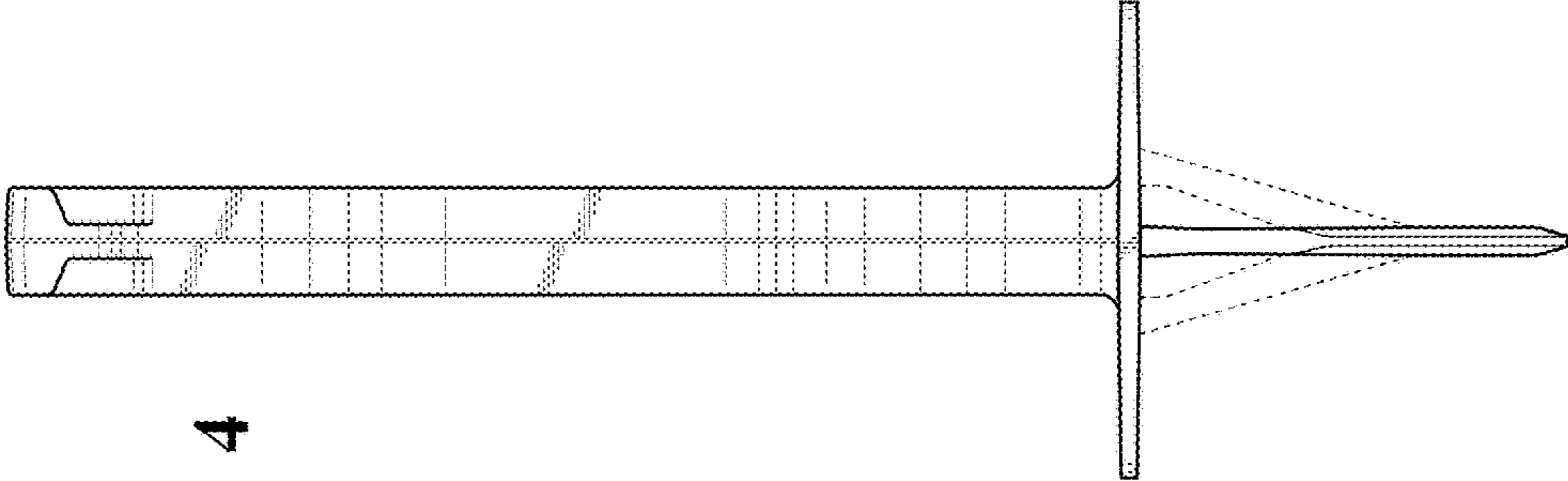


FIG. 4

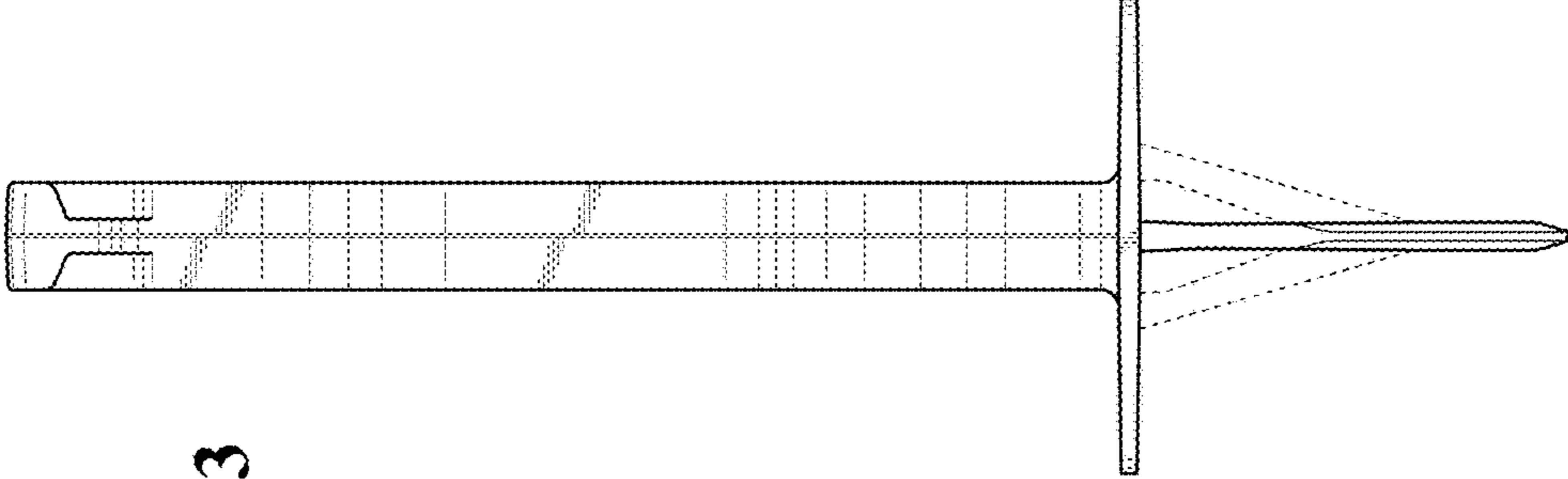


FIG. 3

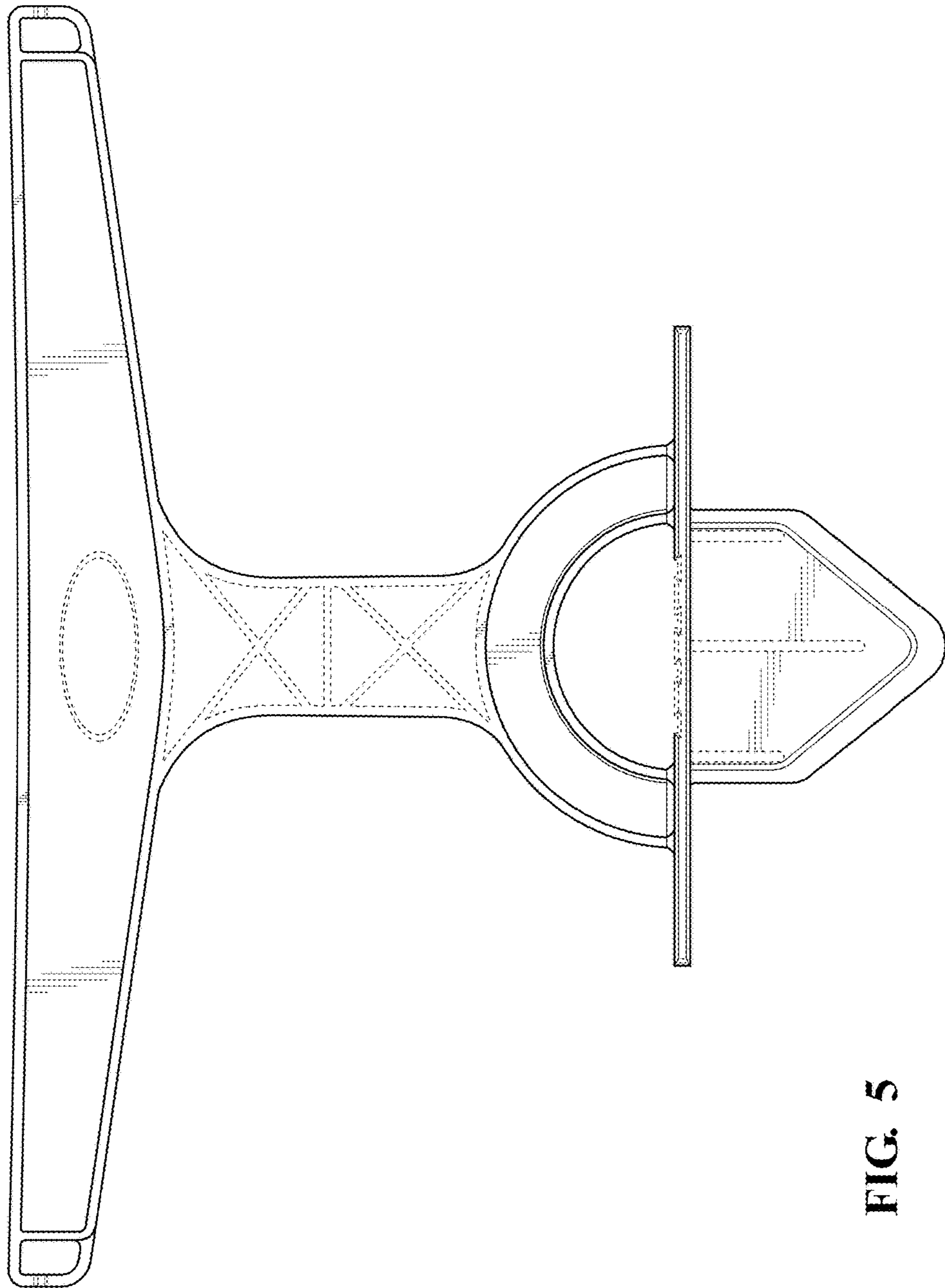


FIG. 5

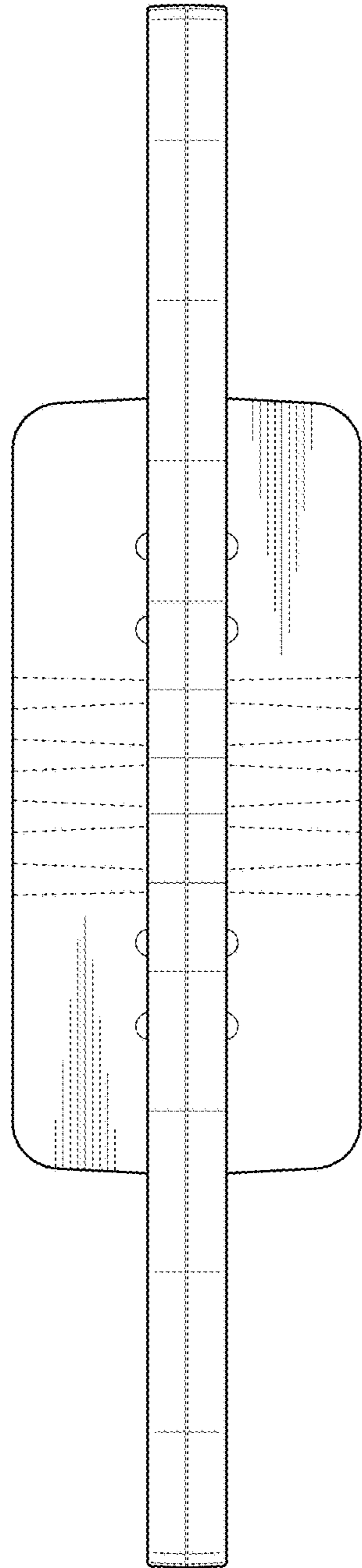


FIG. 6

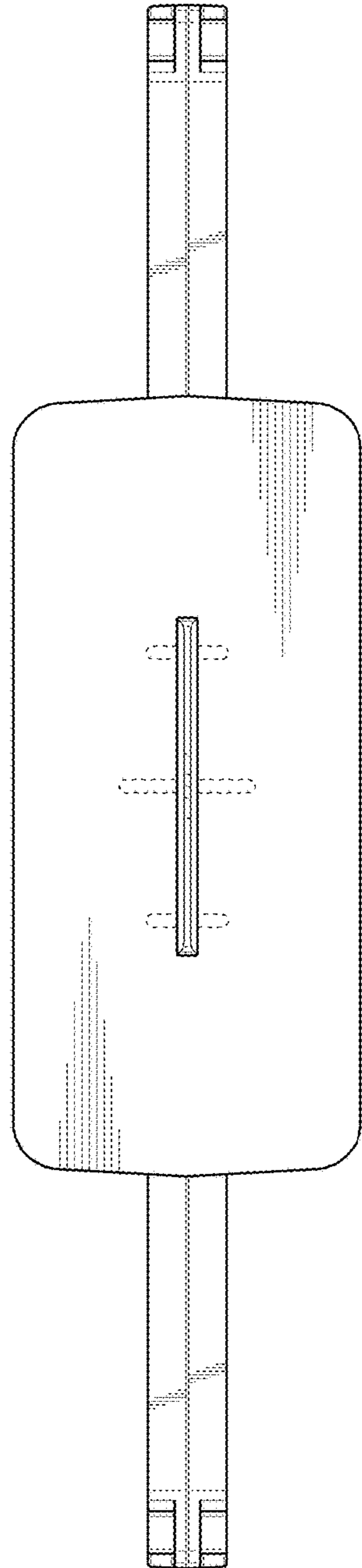


FIG. 7