



US00D855549S

(12) **United States Design Patent**
Zheng et al.

(10) **Patent No.:** **US D855,549 S**

(45) **Date of Patent:** **** Aug. 6, 2019**

(54) **UNMANNED UNDERWATER VEHICLE**

(71) Applicant: **POWERSVISION TECH INC.**, Beijing (CN)

(72) Inventors: **Weifeng Zheng**, Beijing (CN); **Jie Tang**, Beijing (CN); **Hailiang Wu**, Beijing (CN)

(73) Assignee: **PowerVision Tech Inc.**, Beijing (CN)

(**) Term: **15 Years**

(21) Appl. No.: **29/609,626**

(22) Filed: **Jul. 3, 2017**

(30) **Foreign Application Priority Data**

Jan. 4, 2017 (CN) 2017 3 0002705

(51) **LOC (12) Cl.** **12-06**

(52) **U.S. Cl.**
USPC **D12/308**

(58) **Field of Classification Search**
USPC D12/308, 317, 318; D21/545, 801
CPC B63G 8/00; B63G 8/001; B63G 8/002;
B63G 8/08; B63G 8/41; B63G 8/42;
B63B 3/13; B63B 1/107; B63C 11/36;
B63C 11/40; B63C 11/42

See application file for complete search history.

(56) **References Cited**

U.S. PATENT DOCUMENTS

D205,812 S * 9/1966 Ulbrich D12/308
D304,923 S * 12/1989 Pado D12/308

D416,225 S * 11/1999 Robinson D12/308
D795,158 S * 8/2017 Gan D12/308
2008/0032571 A1* 2/2008 Dudek B60F 3/0007
440/12.5

* cited by examiner

Primary Examiner — Cynthia M. Chin

(74) *Attorney, Agent, or Firm* — Winston Hsu

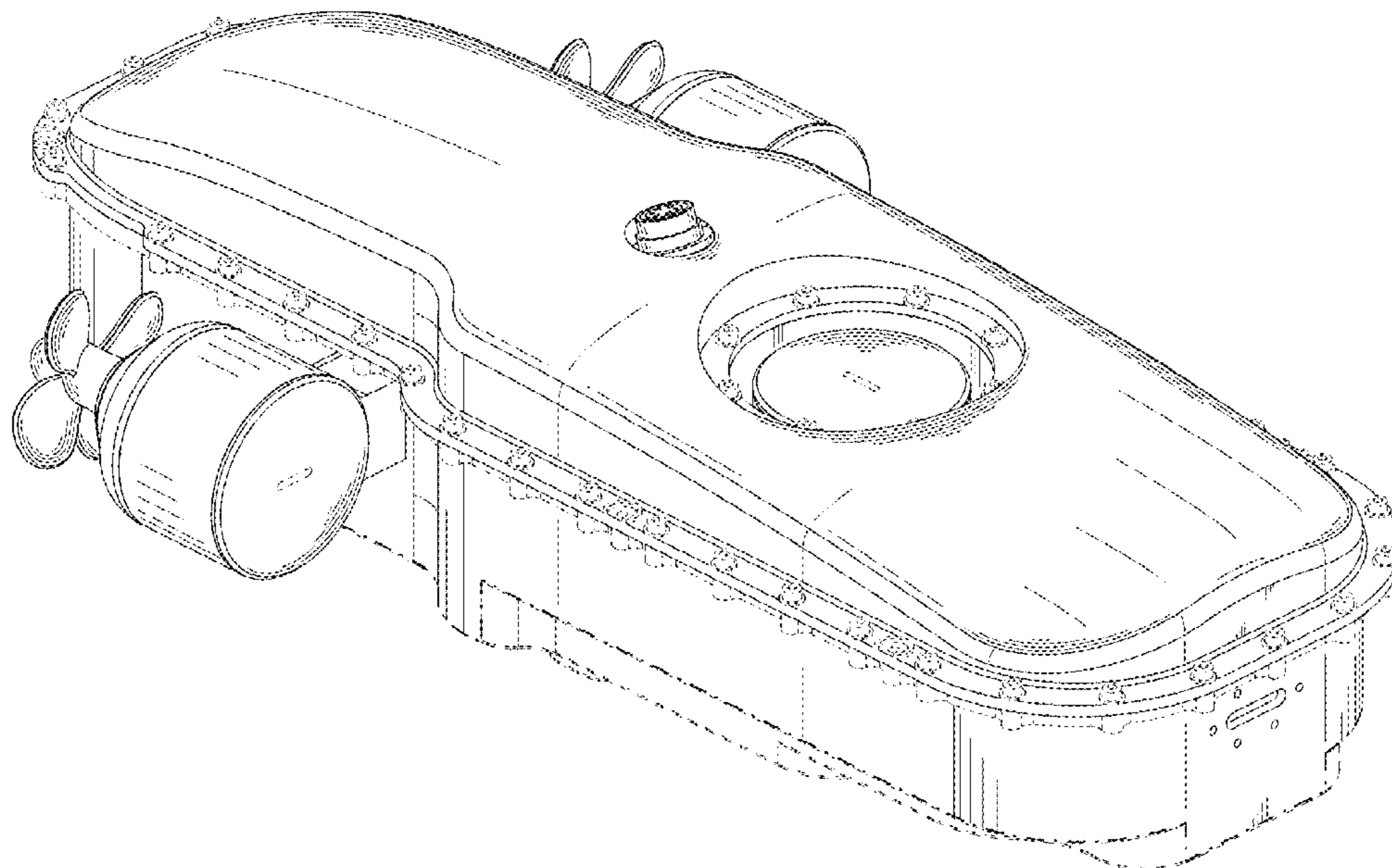
(57) **CLAIM**

The ornamental design for an unmanned underwater vehicle, as shown and described.

DESCRIPTION

FIG. 1 is a perspective view showing my new design for an unmanned underwater vehicle;
FIG. 2 is a front elevation view thereof;
FIG. 3 is a rear elevation view thereof;
FIG. 4 is a left side elevation view thereof;
FIG. 5 is a right side elevation view thereof;
FIG. 6 is a top plan view thereof; and,
FIG. 7 is a bottom plan view thereof.
The dash-dot broken lines immediately adjacent the shaded areas represent the bounds of the claim and all other broken lines represent portions of the article that form no part of the claim. None of the broken lines form a part of the claimed design.

1 Claim, 7 Drawing Sheets



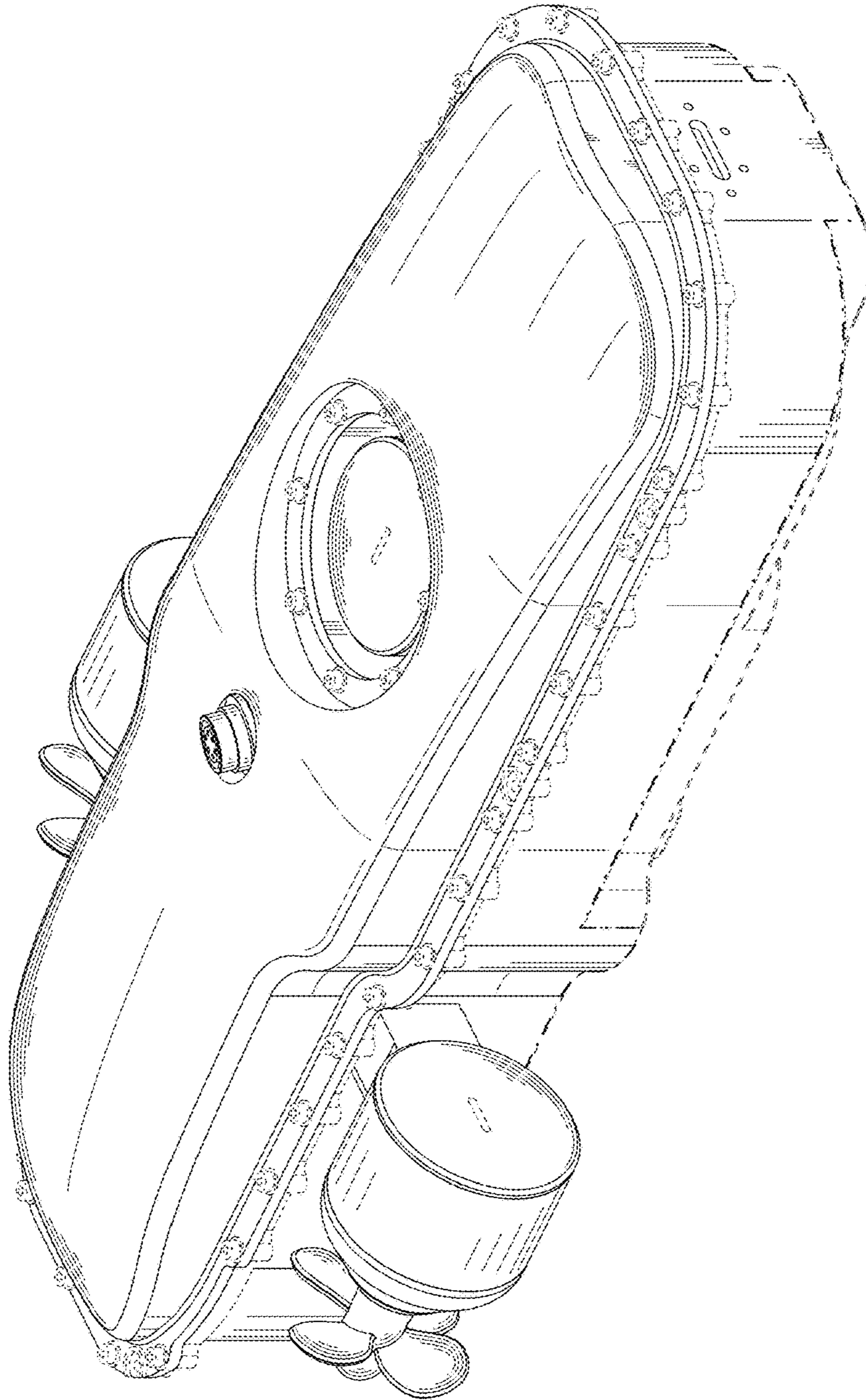


FIG. 1

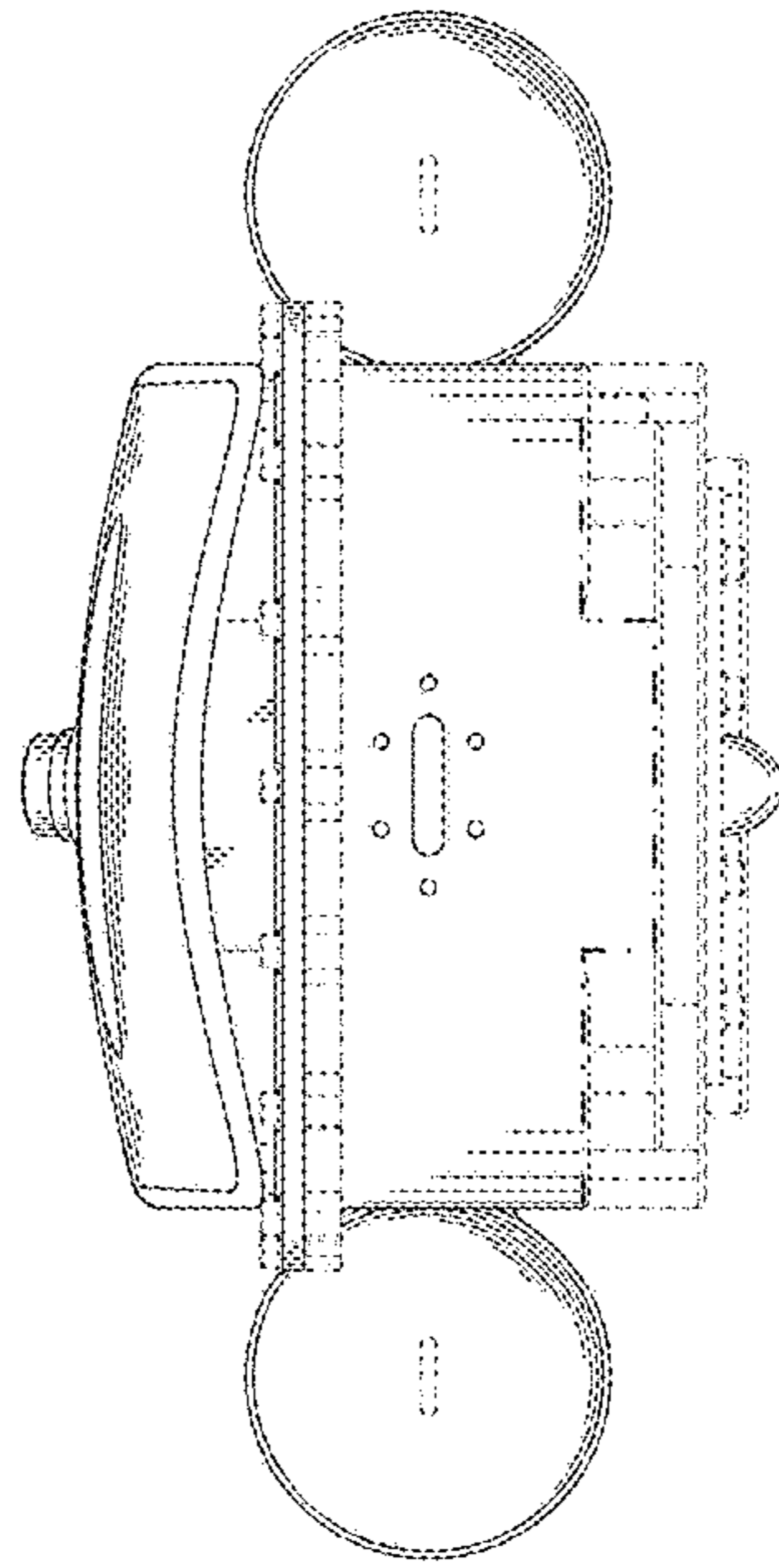


FIG. 2

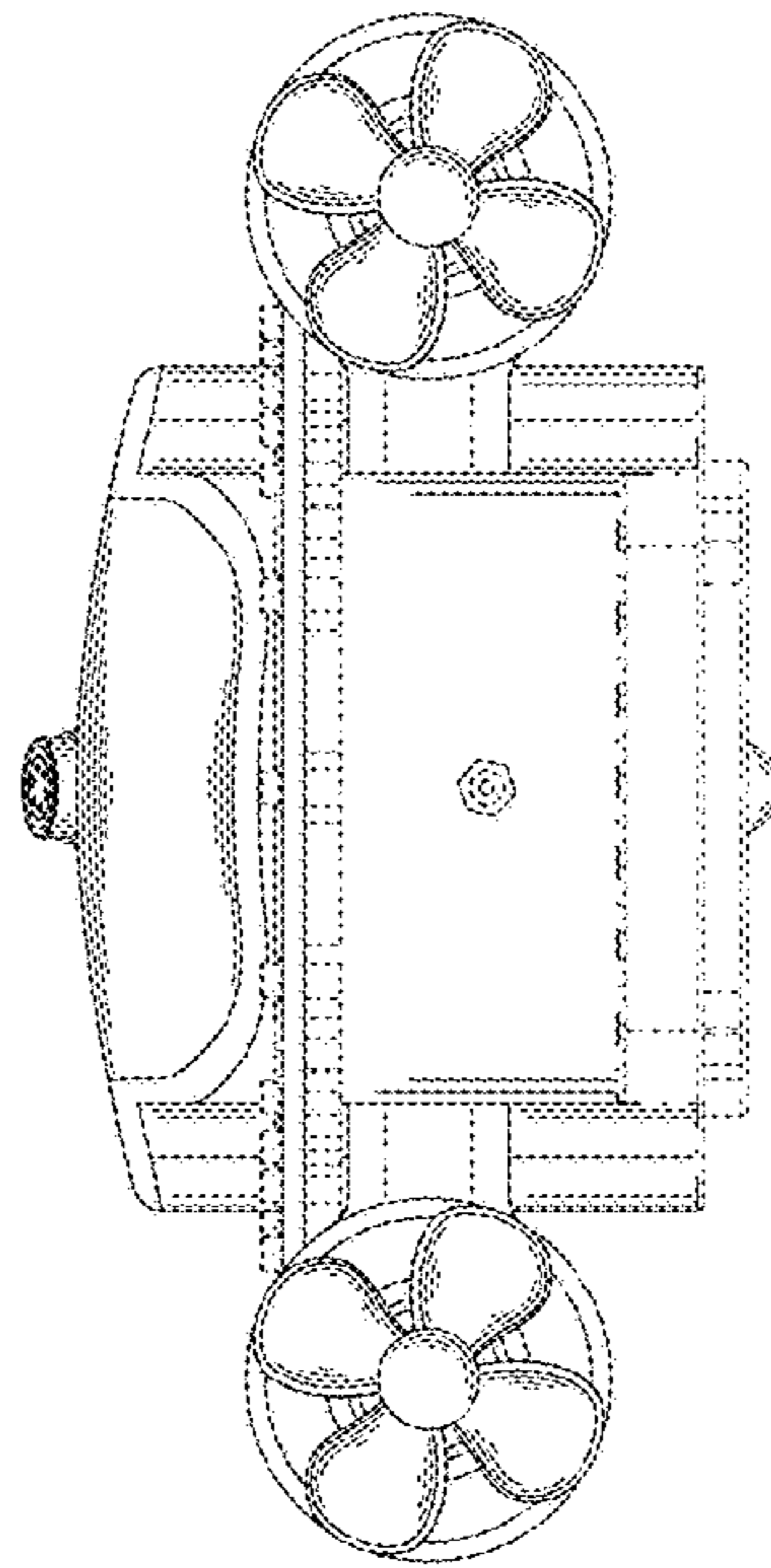


FIG. 3

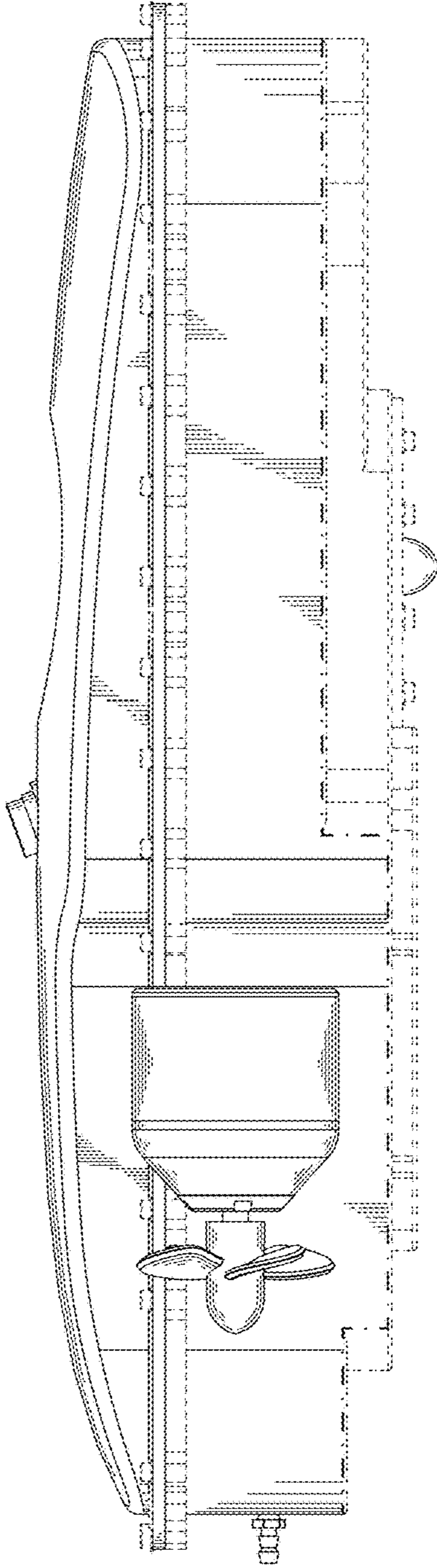


FIG. 4

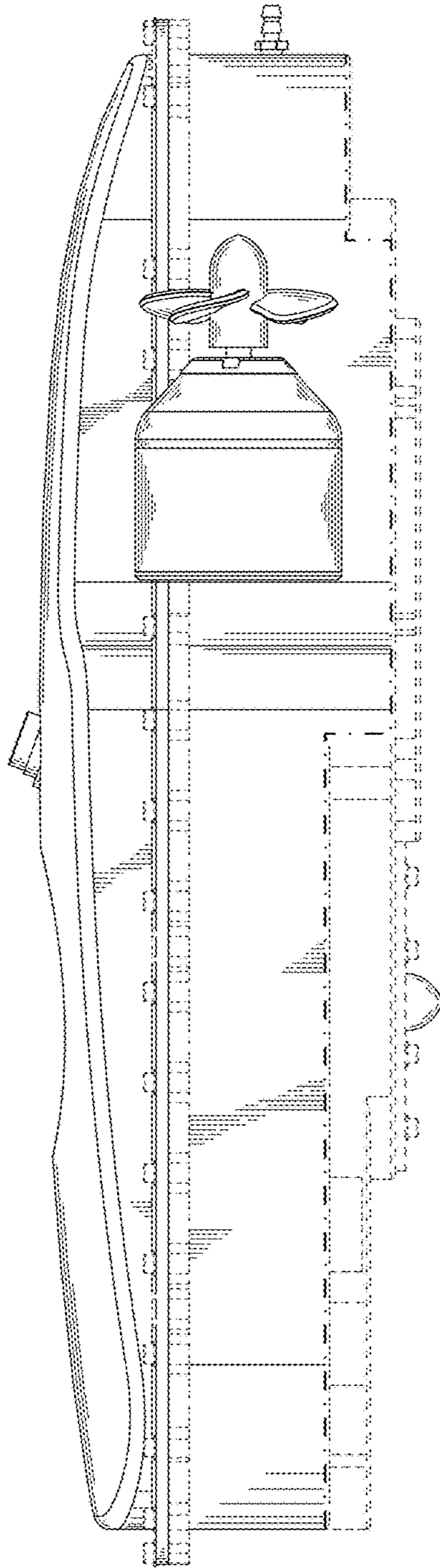


FIG. 5

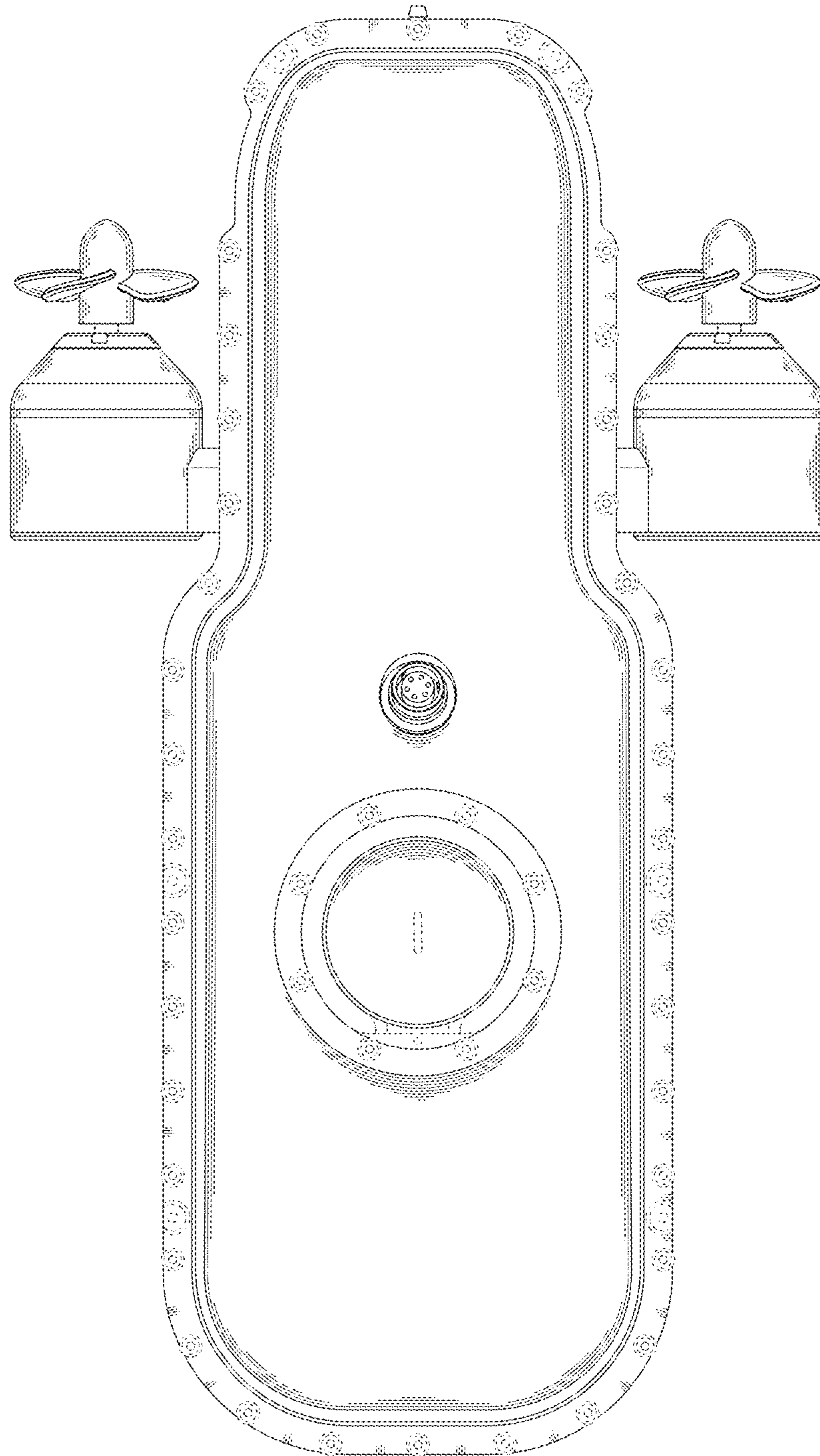


FIG. 6

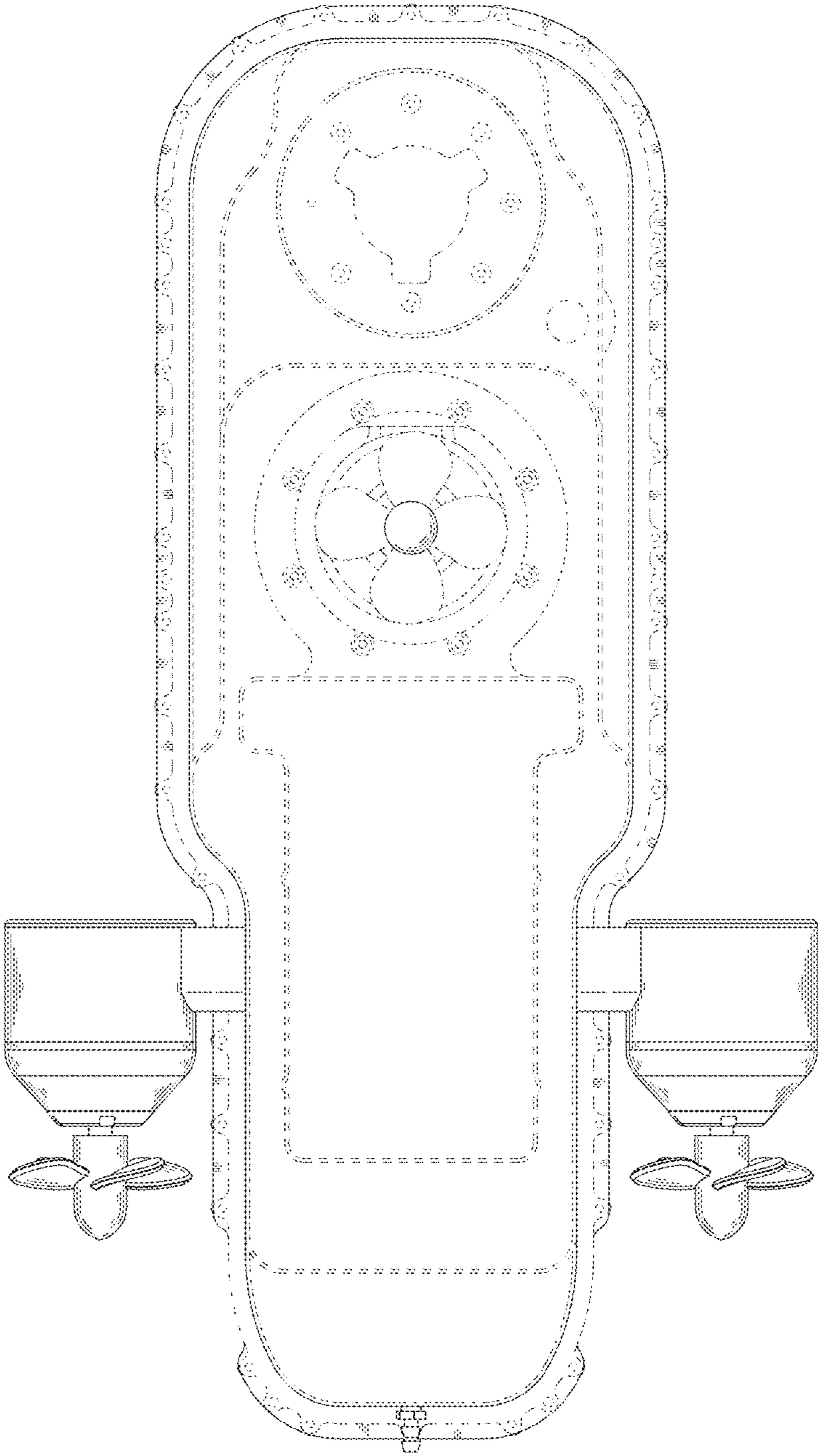


FIG. 7