



US00D855548S

(12) **United States Design Patent**
Brigham, III et al.

(10) **Patent No.:** **US D855,548 S**

(45) **Date of Patent:** **** Aug. 6, 2019**

(54) **WATERCRAFT**

(71) Applicant: **BrighamFloats, LLC**, Baltimore, MD (US)

(72) Inventors: **Henry Day Brigham, III**, Baltimore, MD (US); **Carter Michel Brigham**, Baltimore, MD (US); **Inna Alesina**, Owings Mills, MD (US)

(73) Assignee: **BRIGHAMFLOATS, LLC**, Baltimore, MD (US)

(**) Term: **15 Years**

(21) Appl. No.: **29/639,564**

(22) Filed: **Mar. 7, 2018**

(51) **LOC (12) Cl.** **12-06**

(52) **U.S. Cl.**
USPC **D12/300; D12/316**

(58) **Field of Classification Search**
USPC D12/300, 308, 316, 317; D21/801, 803, D21/810
CPC B63C 13/46; B63C 13/49; B63B 35/12; B63B 35/73; B63B 2035/7903; B63B 2035/7943
See application file for complete search history.

(56) **References Cited**

U.S. PATENT DOCUMENTS

D223,519 S * 4/1972 Pflueger D12/300
D241,928 S * 10/1976 Peterson D12/300

4,214,547 A 7/1980 Hetland
D308,402 S * 6/1990 Chang D12/316
D387,324 S * 12/1997 Beaulac D12/300
D392,242 S * 3/1998 McCulloh D12/300
D402,618 S * 12/1998 Veazey D12/310
6,805,064 B1 * 10/2004 Andersen B63C 11/46
114/66
D594,807 S * 6/2009 Smith D12/300
D793,327 S * 8/2017 Rodrigues D12/316

* cited by examiner

Primary Examiner — Cynthia M. Chin

(74) *Attorney, Agent, or Firm* — Miles & Stockbridge P.C.

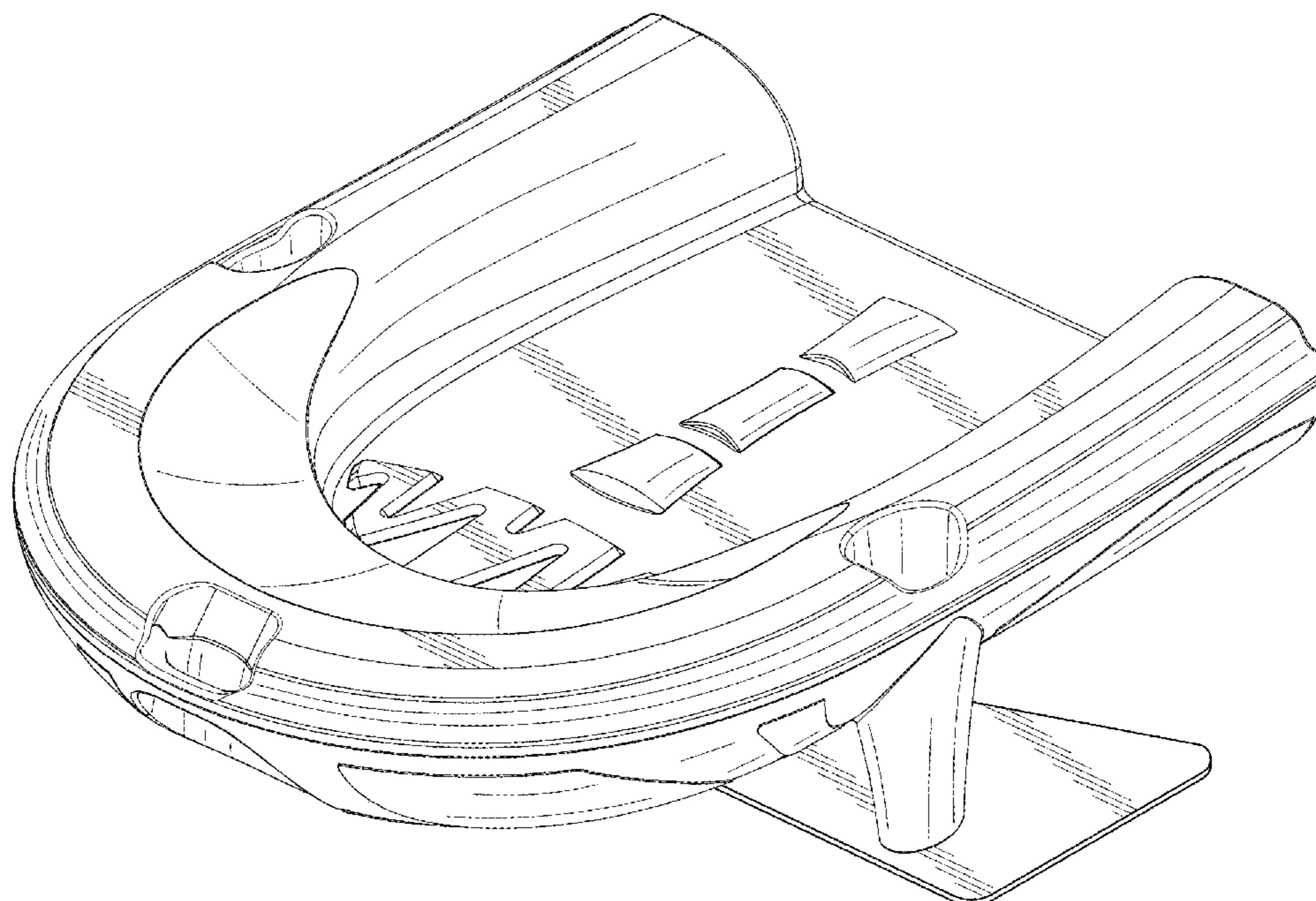
(57) **CLAIM**

The ornamental design for a watercraft, as shown and described.

DESCRIPTION

FIG. 1 is a top perspective view of a watercraft showing our design;
FIG. 2 is a bottom perspective view thereof;
FIG. 3 is a top view thereof;
FIG. 4 is a bottom view thereof;
FIG. 5 is a front elevational view thereof;
FIG. 6 is a rear elevational view thereof;
FIG. 7 is a right side elevational view thereof;
FIG. 8 is a left side elevational view thereof; and,
FIG. 9 is a bottom exploded perspective view thereof.

1 Claim, 7 Drawing Sheets



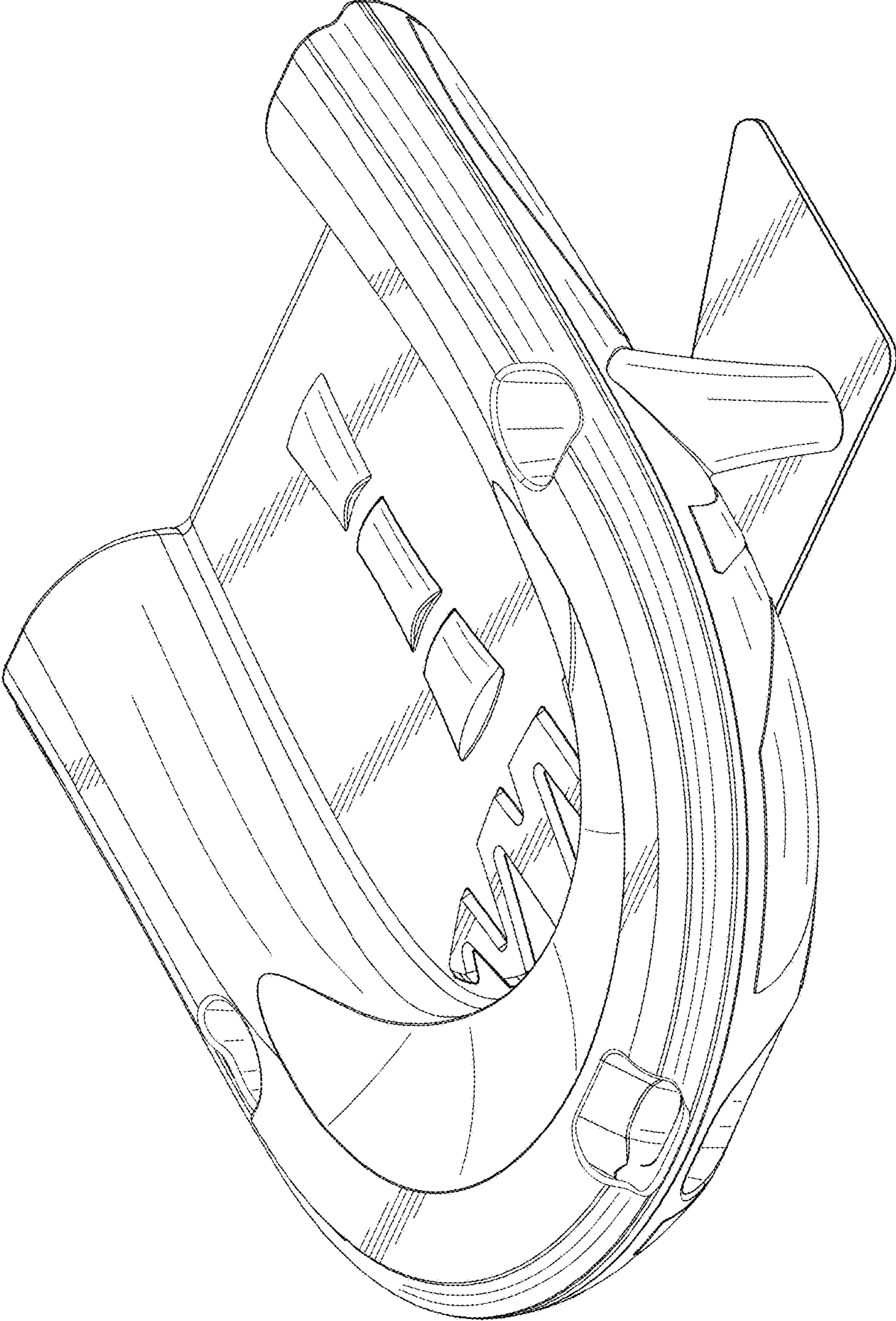


FIG. 1

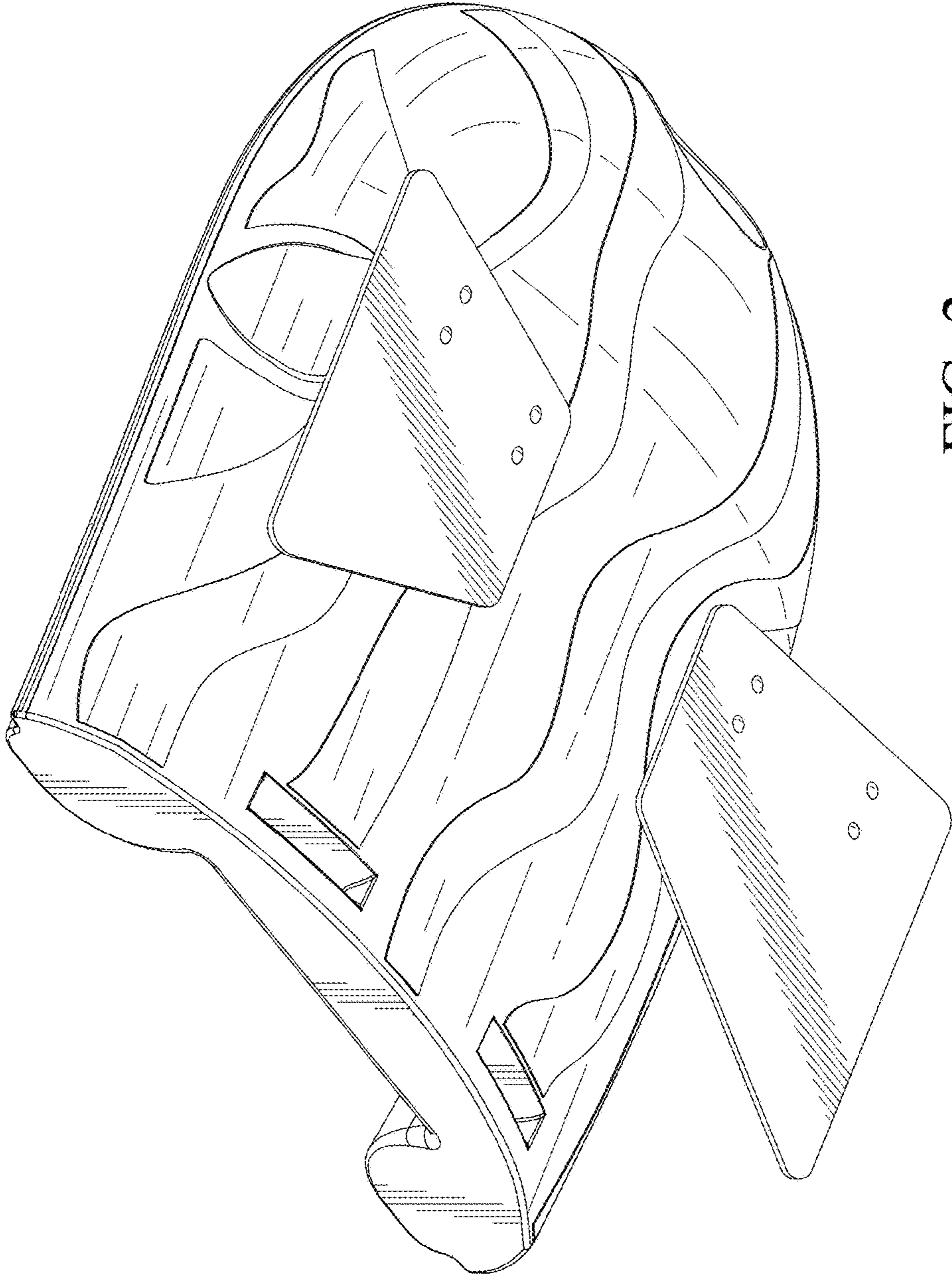


FIG. 2

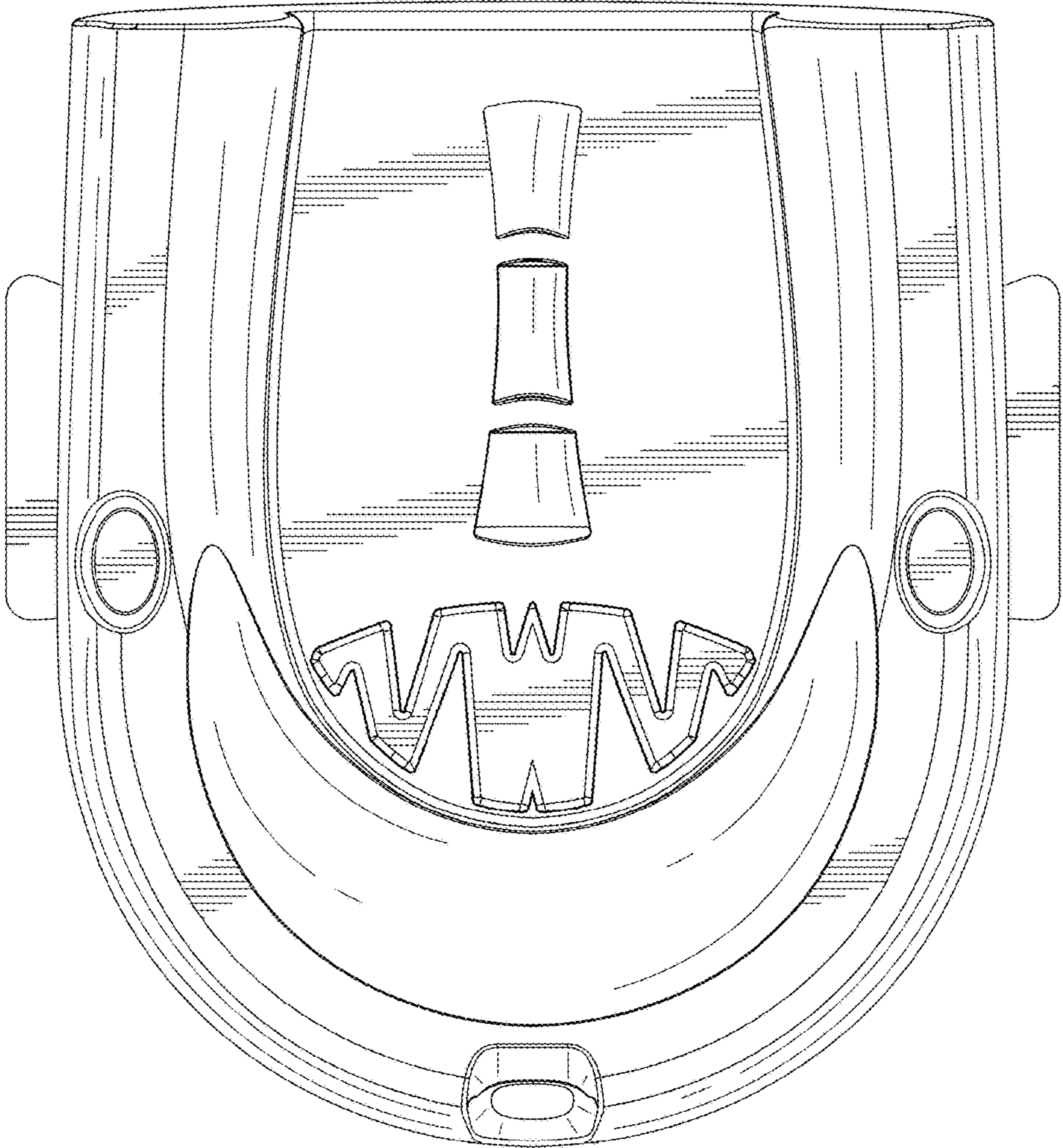


FIG. 3

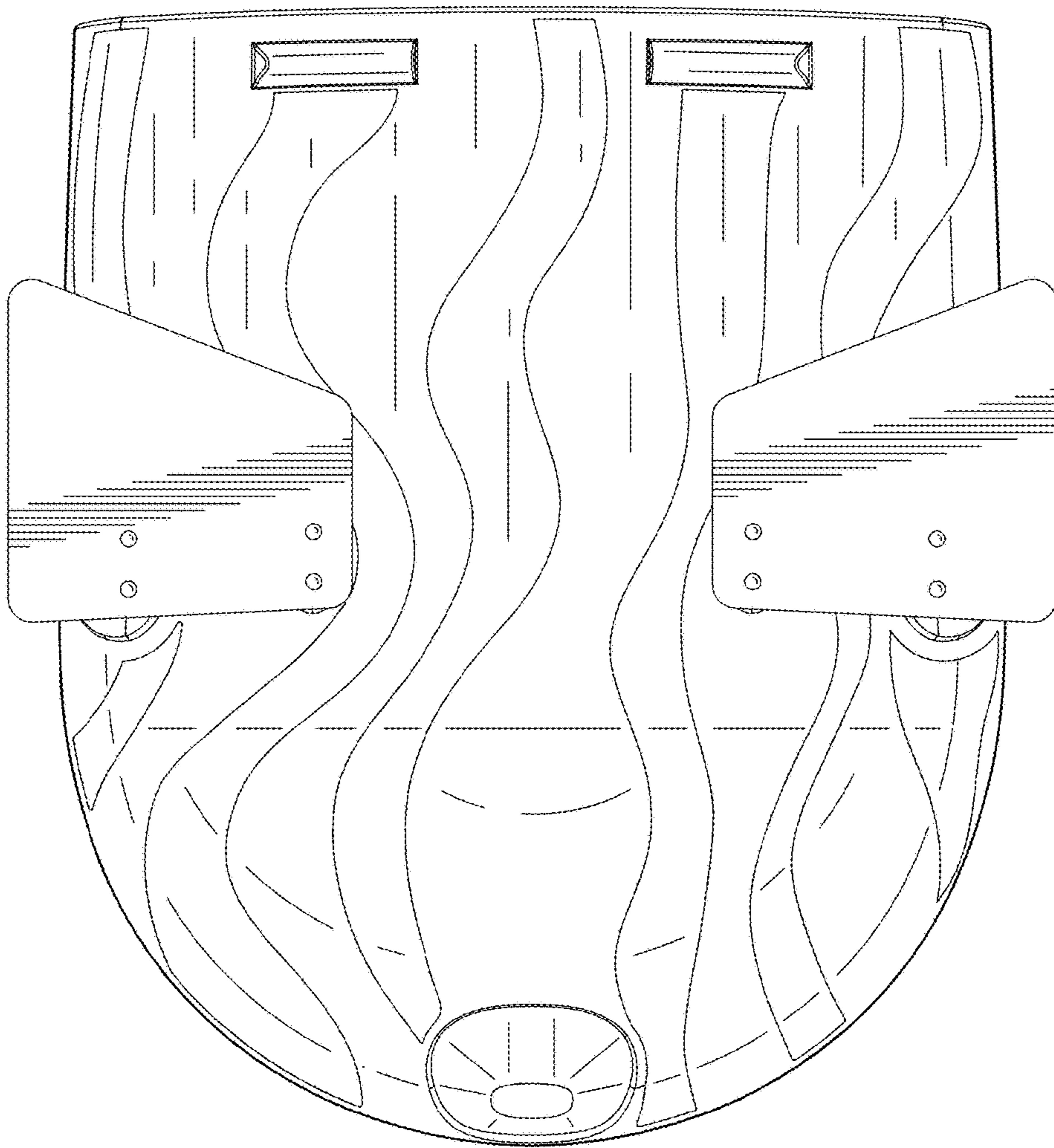


FIG. 4

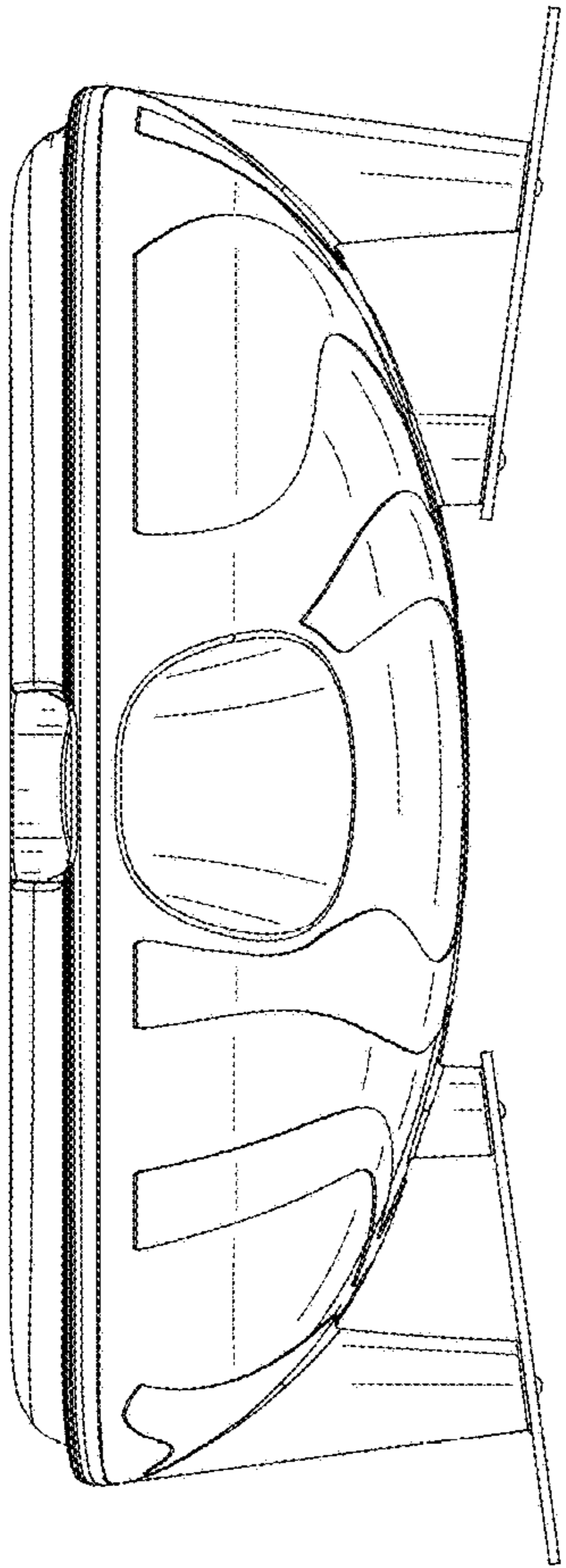


FIG. 5

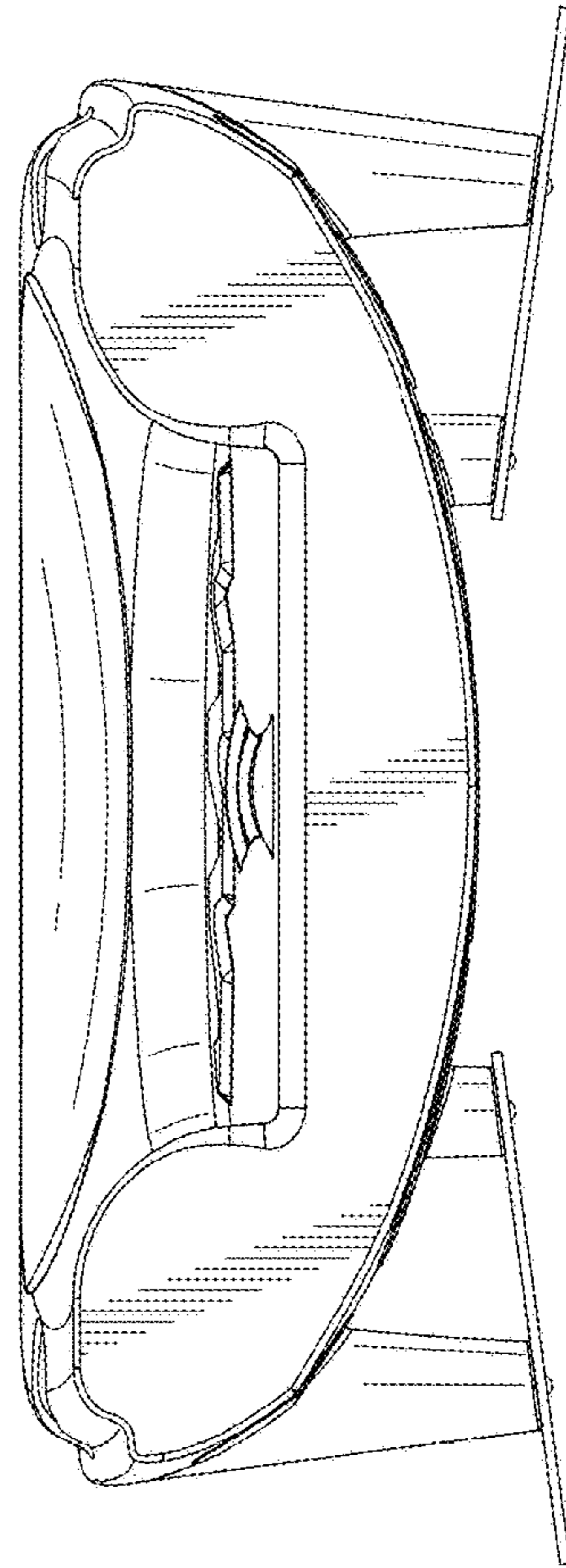


FIG. 6

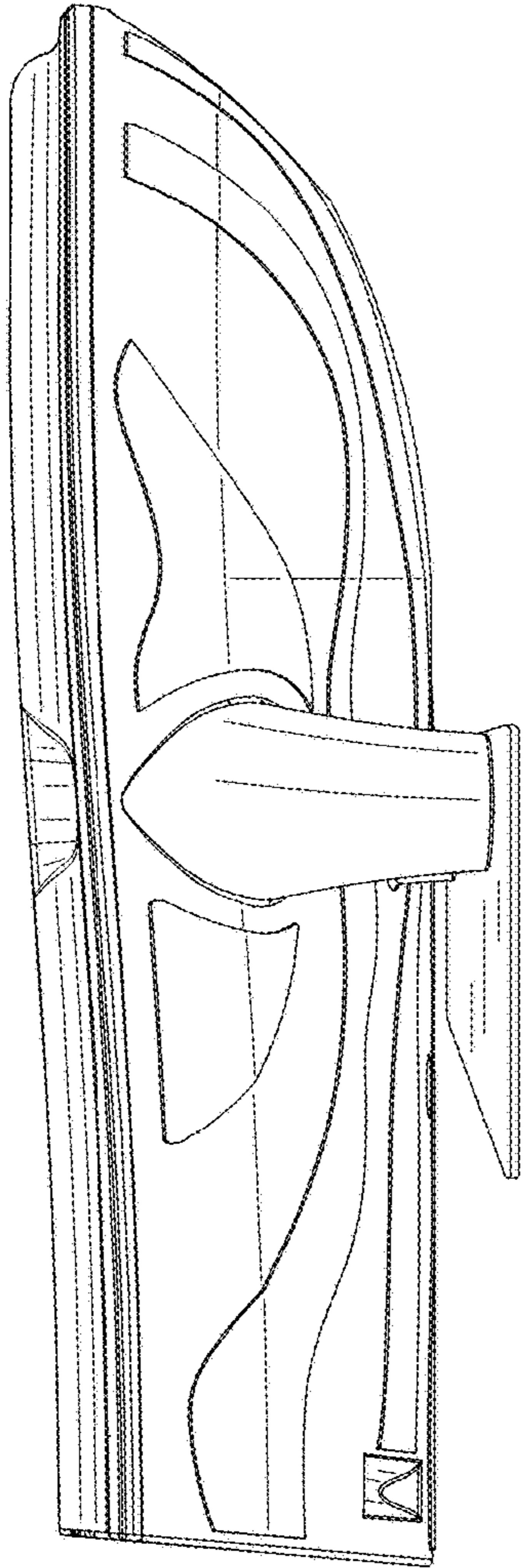


FIG. 7

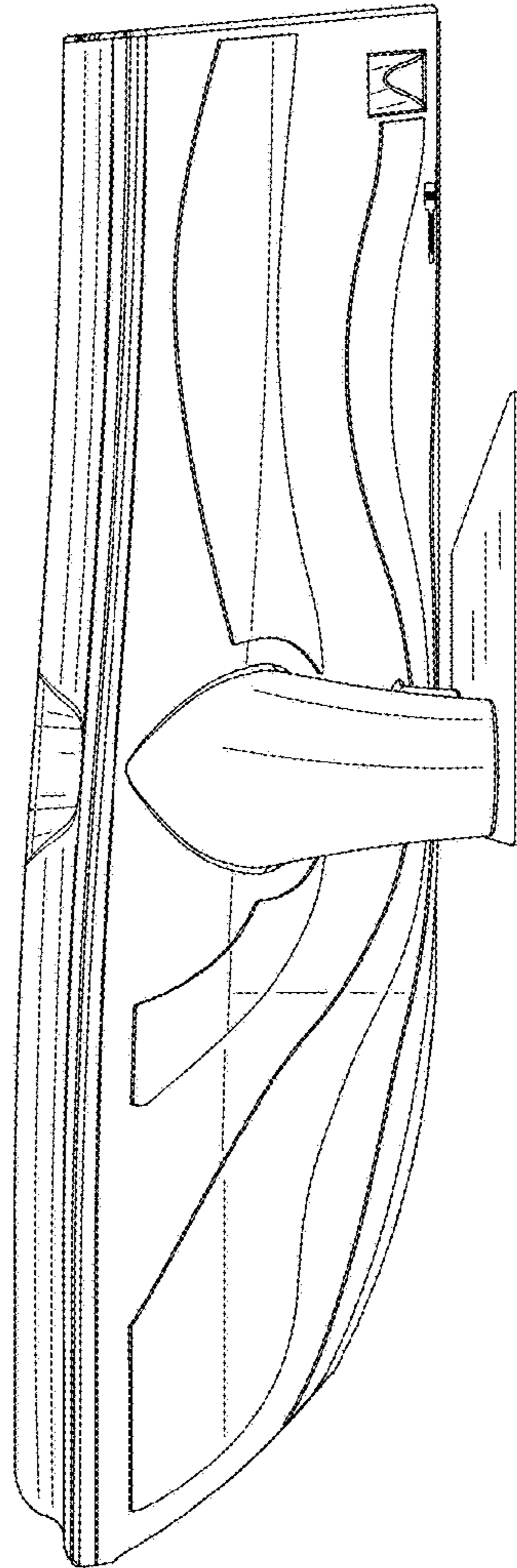


FIG. 8

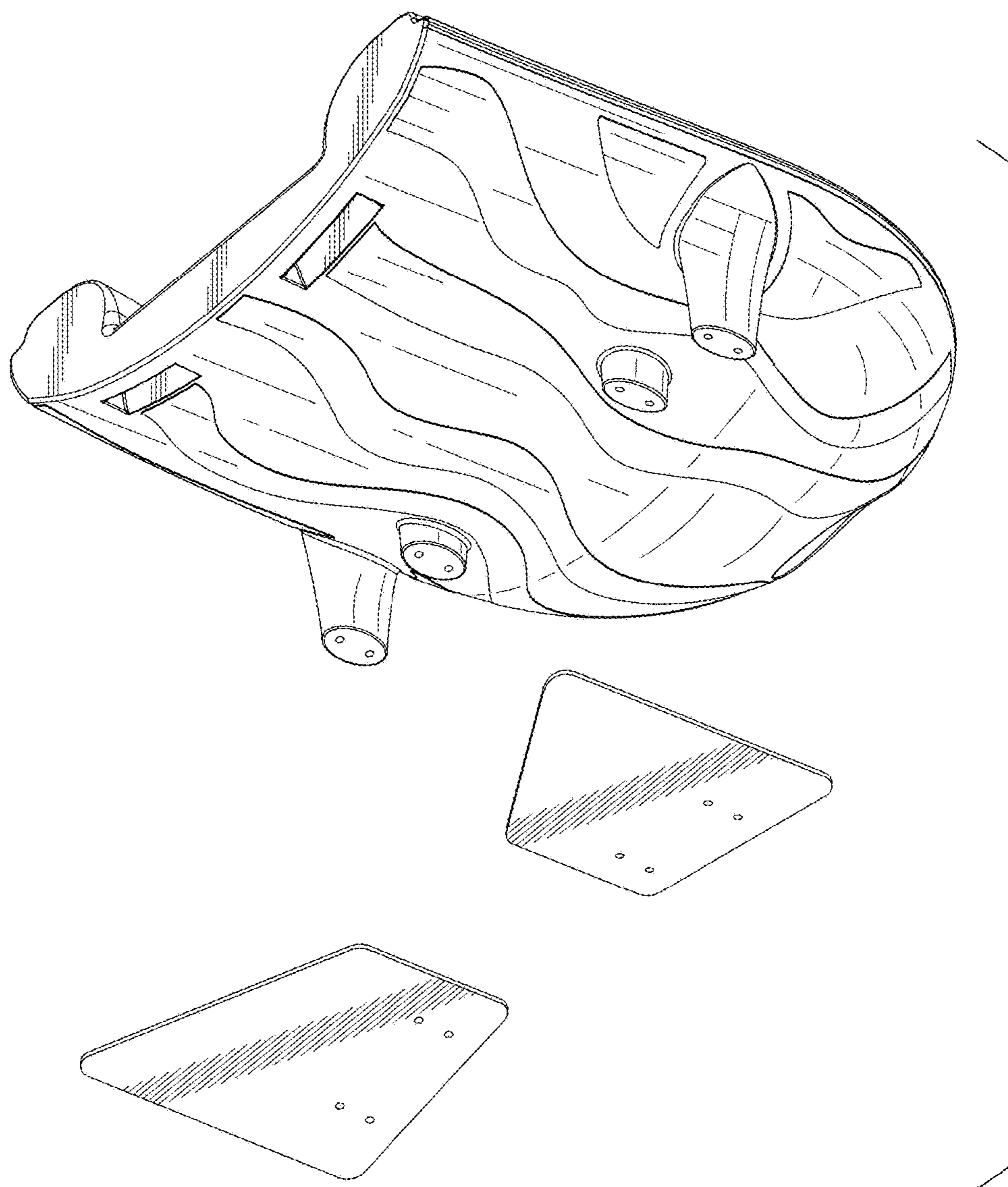


FIG. 9